



Isolation Booth

Portable Vocal and Singing Booth

Thomann GmbH
Hans-Thomann-Straße 1
96138 Burgebrach
Germany
Telephone: +49 (0) 9546 9223-0
Internet: www.thomann.de

29.11.2024, ID: 563668, 564133 (V3)

Table of contents

1	General information	5
1.1	Symbols and signal words.....	5
2	Safety instructions	6
3	Features	7
4	Scope of delivery	8
5	Installation	9
6	Technical specifications	24
7	Protecting the environment	25





1 General information

This document contains important instructions for the safe operation of the product. Read and follow the safety instructions and all other instructions. Keep the document for future reference. Make sure that it is available to all those using the product. If you sell the product to another user, be sure that they also receive this document.

Our products and documentation are subject to a process of continuous development. They are therefore subject to change. Please refer to the latest version of the documentation, which is ready for download under www.thomann.de.

1.1 Symbols and signal words

In this section you will find an overview of the meaning of symbols and signal words that are used in this document.

Signal word	Meaning
DANGER!	This combination of symbol and signal word indicates an immediate dangerous situation that will result in death or serious injury if it is not avoided.
CAUTION!	This combination of symbol and signal word indicates a possible dangerous situation that can result in minor injury if it is not avoided.
NOTICE!	This combination of symbol and signal word indicates a possible dangerous situation that can result in material and environmental damage if it is not avoided.
Warning signs	Type of danger
	Warning – high-voltage.
	Warning – danger zone.

2 Safety instructions

Intended use

This product is designed to optimise acoustics during voice and singing recordings. Use the product only as described in this user manual. Any other use or use under other operating conditions is considered to be improper and may result in personal injury or property damage. No liability will be assumed for damage resulting from improper use.

This product may be used only by persons with sufficient physical, sensory, and intellectual abilities and with the relevant knowledge and experience. Other persons may use this device only if they are supervised or instructed by a person who is responsible for their safety.

Safety

 **DANGER!**

Risk of injury and choking hazard for children!

Children can suffocate on packaging material and small parts. Children can injure themselves when handling the device. Never allow children to play with the packaging material and the device. Always store packaging material out of the reach of babies and small children. Always dispose of packaging material properly when it is not in use. Never allow children to use the device without supervision. Keep small parts away from children and make sure that the device does not shed any small parts (such knobs) that children could play with.

 **DANGER!**

Danger to life due to electric current!

A short circuit could lead to a fire hazard and risk of death. Do not modify the mains cable or the plug! In case of isolation damage, disconnect immediately the power supply and arrange repair. If in doubt, seek advice from a qualified electrician.

 **CAUTION!**

Risk of cuts to the hands from sharp edges during assembly!

Tools, screws and components can have sharp edges that can cause cuts during assembly. Pay attention to sharp edges when assembling and screwing the individual parts. Wear protective gloves if necessary.

 **CAUTION!**

Risk of injury due to heavy weight!

The device is heavy. Lifting and dropping it during transport and installation can cause injuries. Make sure at least two people work together when transporting and installing the device.

 **NOTICE!**

Damage to the device if operated in unsuitable ambient conditions!

The device can be damaged if it is operated in unsuitable ambient conditions. Only operate the device indoors within the ambient conditions specified in the "Technical specifications" chapter of this user manual. Avoid operating it in environments with direct sunlight, heavy dirt and strong vibrations. Avoid operating it in environments with strong temperature fluctuations. If temperature fluctuations cannot be avoided (for example after transport in low outside temperatures), do not switch on the device immediately. Never subject the device to liquids or moisture. Never move the device to another location while it is in operation. In environments with increased dirt levels (for example due to dust, smoke, nicotine or mist): Have the device cleaned by qualified specialists at regular intervals to prevent damage due to overheating and other malfunctions.

3 Features

- Reduction in volume: approx. 27 dB
- Passive ventilation
- Soundproof window module made from double-layer insulation glass
- Lockable door with handle
- 3 holes for cable feedthrough
- Inside shelves
- Thread for assembling a microphone arm
- Rechargeable USB LED lamp
- Wall elements made from MDF elements of different thickness
- PET polyester insulating panels of different thickness for magnetic assembly

Isolation Booth Fan Module active ventilation module (available as an option, item no. 564133)

- Air exchange: approx. 40 m³
- Full air exchange: 20 × per hour
- Silent fan
- Easy to assemble by placing on the roof element
- Includes power cable with plug

4 Scope of delivery



A shipping company will deliver the individual parts to the kerbside on a double pallet.



Before you assemble the portable vocal and singing booth, make sure the contents of package is complete according to the following list.

- 1 × floor panel, 2 × 25-mm MDF, melamine-coated
- 1 × right side panel with window module (noise-insulating double-layer insulation glass), 25-mm MDF, melamine-coated
- 1 × left side panel, 25-mm MDF, melamine-coated
- 1 × rear panel with 3 holes for cable feedthrough and a thread for attaching a microphone arm, 25-mm MDF, melamine-coated
- 1 × lockable door with handle, 25-mm MDF, melamine-coated
- 2 × panels for door front, 25-mm MDF, melamine-coated
- 2 × shelves, one with a hole for cable feedthrough
- 1 × ceiling element with air vent, 18-mm MDF, melamine-coated
- 15 × screws
- 58 × connecting bolts
- 37 × connector housings
- 59 × wooden dowels
- 1 × foam filter
- 1 × carpet
- PET polyester panels for exterior insulation, 12 mm, magnetic assembly
- PET polyester panels for interior insulation, 12.25 mm and 40 mm, magnetic assembly
- 1 × rechargeable USB LED lamp

Optional ventilation system

- 1 × ventilation element with connecting cable and plug
- 4 × wooden dowels

5 Installation

CAUTION!

Risk of injury due to heavy weight!

The device is heavy. Lifting and dropping it during transport and installation can cause injuries.

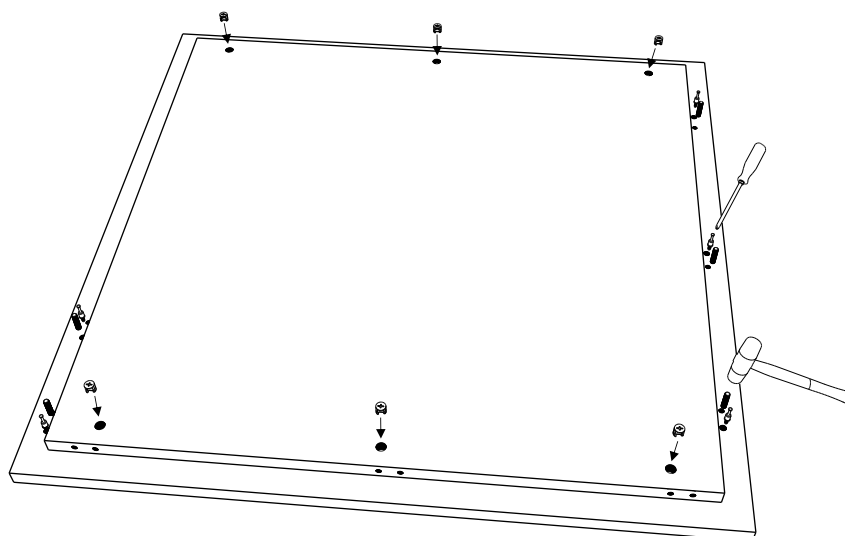
Make sure at least two people work together when transporting and installing the device.



Place all components on a suitable mounting surface for mounting. Use a soft pad in order to avoid damage to the surfaces.

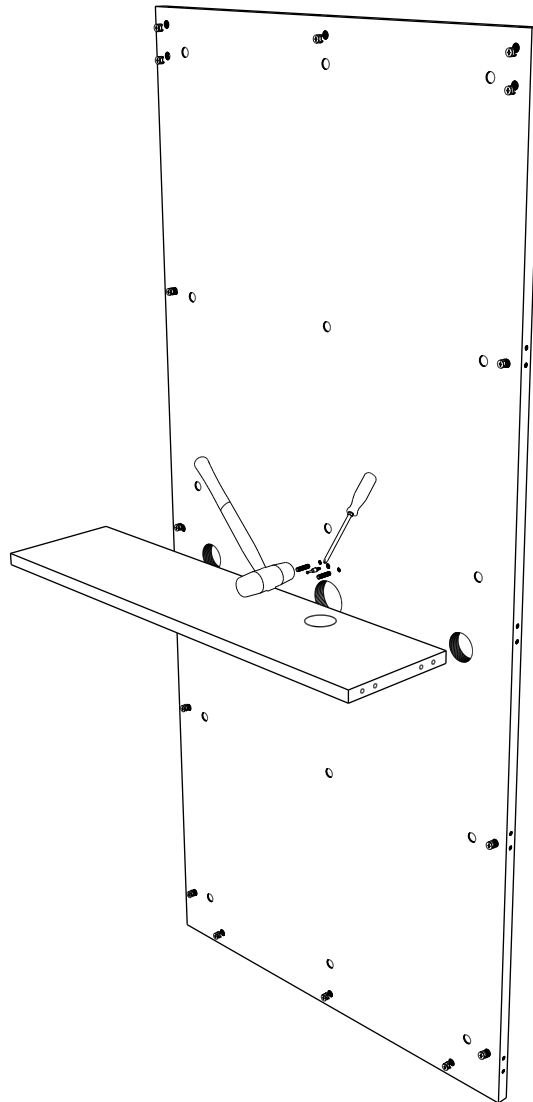
Preparing the floor panel

Attach the connector bolts, the wooden dowels and the connector housings to the floor panel as shown.



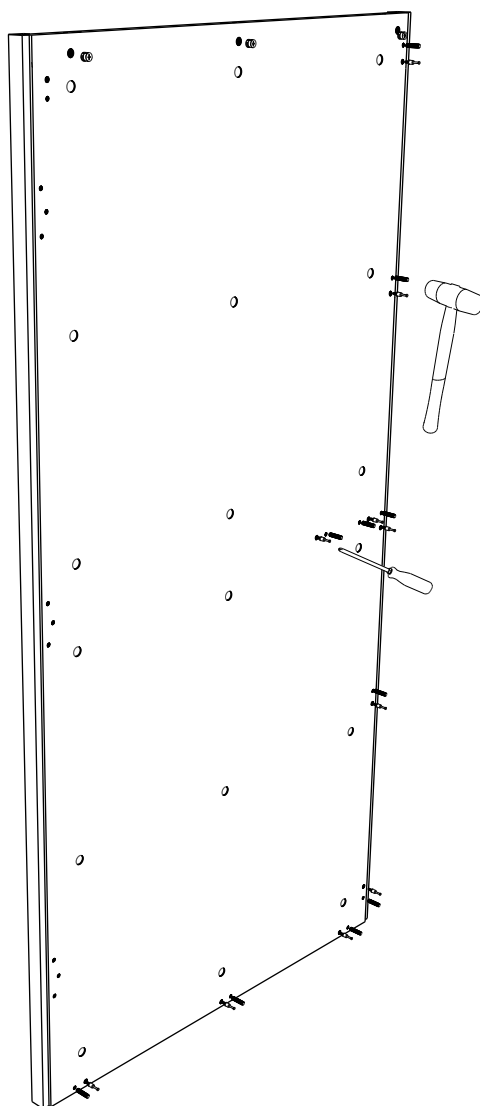
Preparing the back panel

Attach the connector bolts, the wooden dowels and the connector housing to the back panel as shown and position the shelf with the hole for cable feedthrough correctly on the wooden dowels.



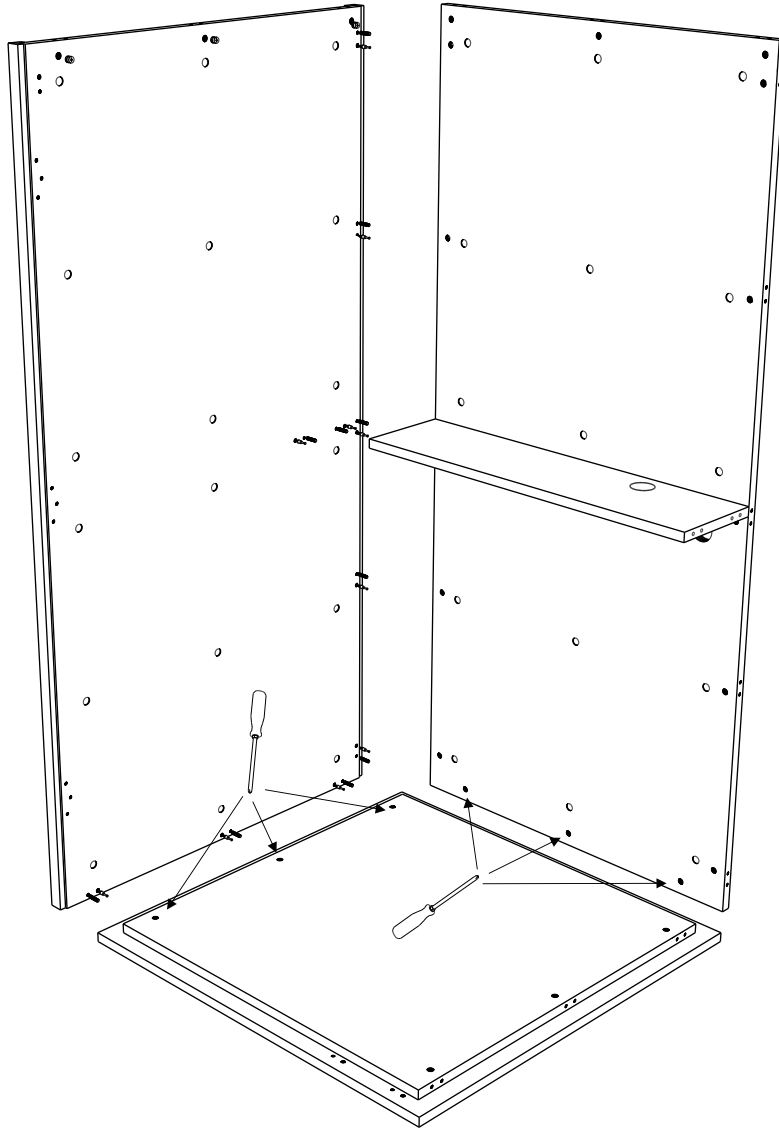
Preparing the left side panel

Attach the connector bolts, the wooden dowels and the connector housing to the left side panel as shown.



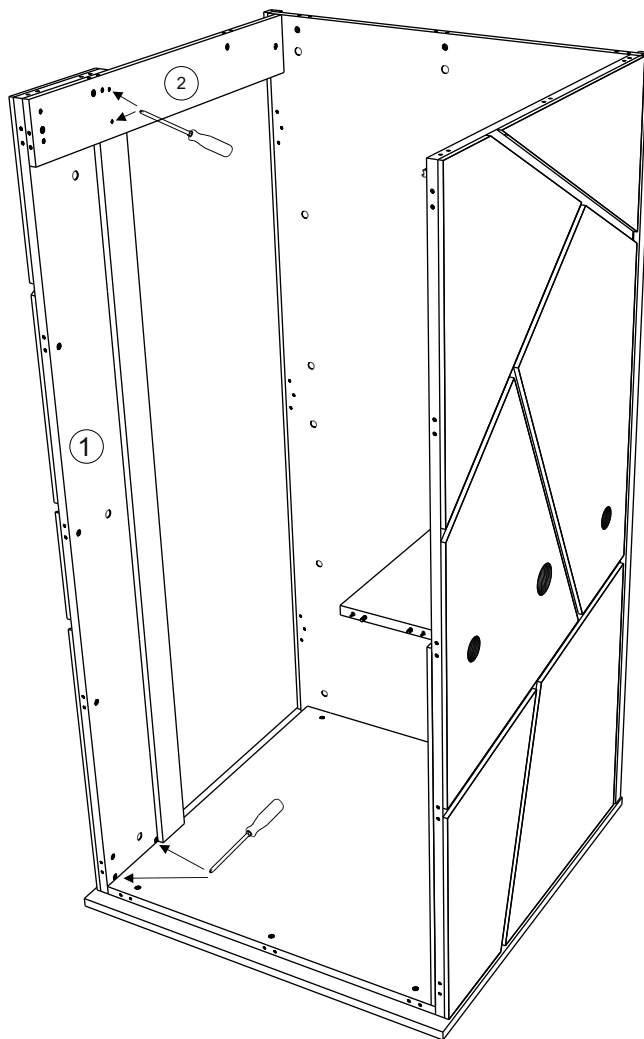
Connecting the left side panel, back panel and floor panel to each other

Push the three parts together as shown and tighten the indicated connector housings.



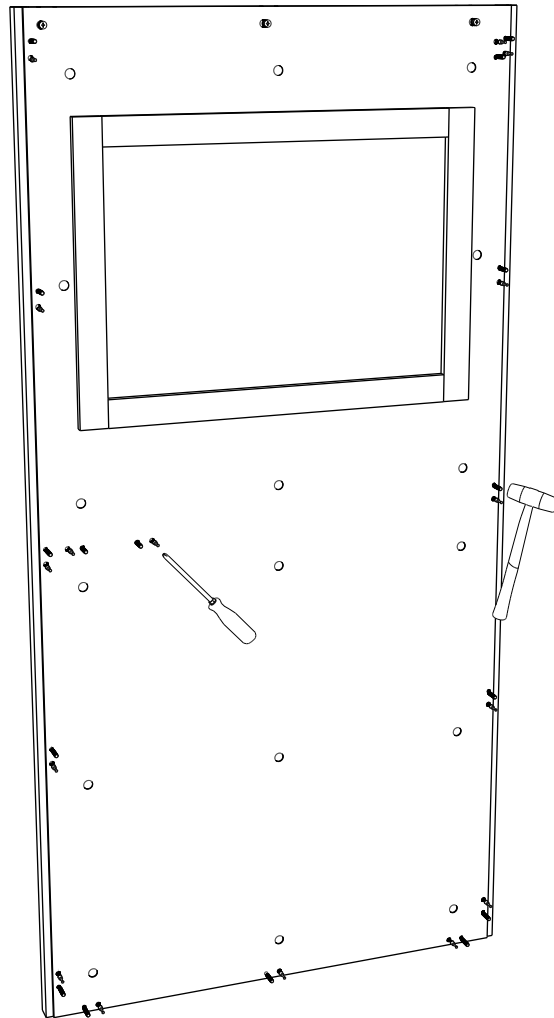
Connecting and attaching front panels

Place the vertical front panel on the floor panel as shown and tighten the connector housings at the bottom. Affix the horizontal front panel to the left side section and attach its top to the vertical front panel with two screws.



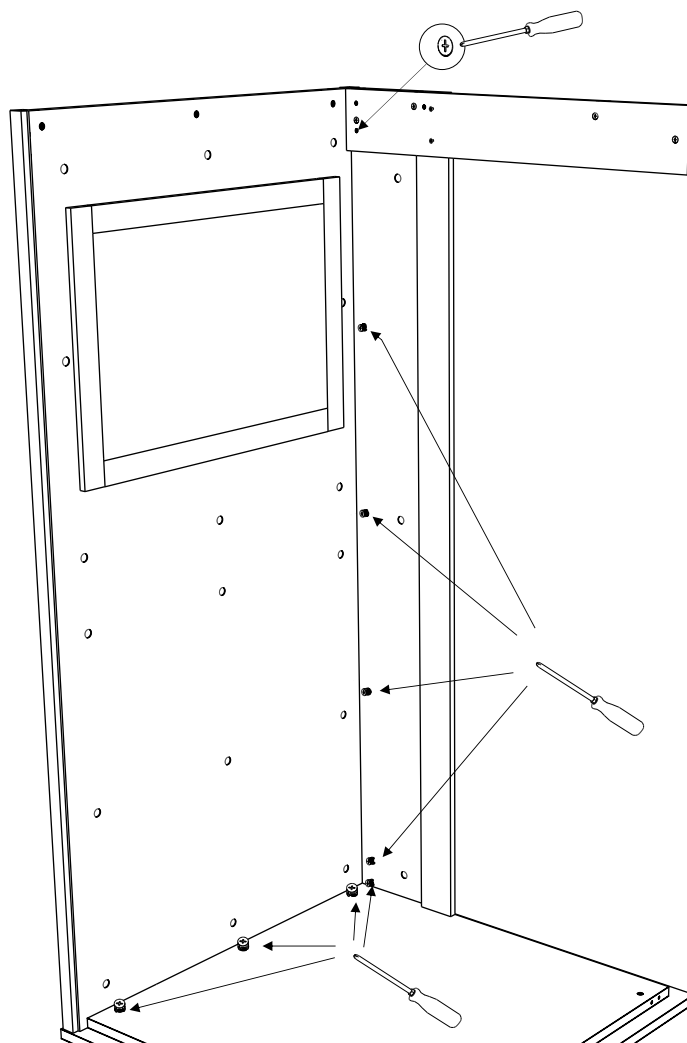
Preparing the right side panel

Attach the connector bolts, the wooden dowels and the connector housings to the right side panel as shown.



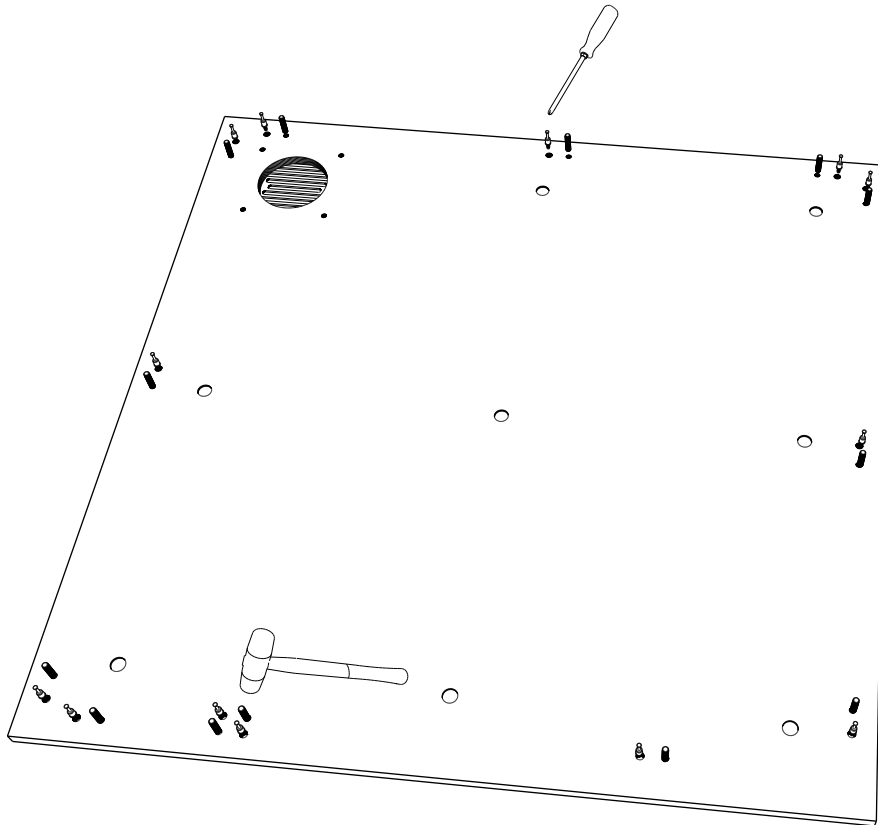
Attaching the right side panel

Place the right side panel on the floor panel and front panels as shown and tighten the indicated connector housings.



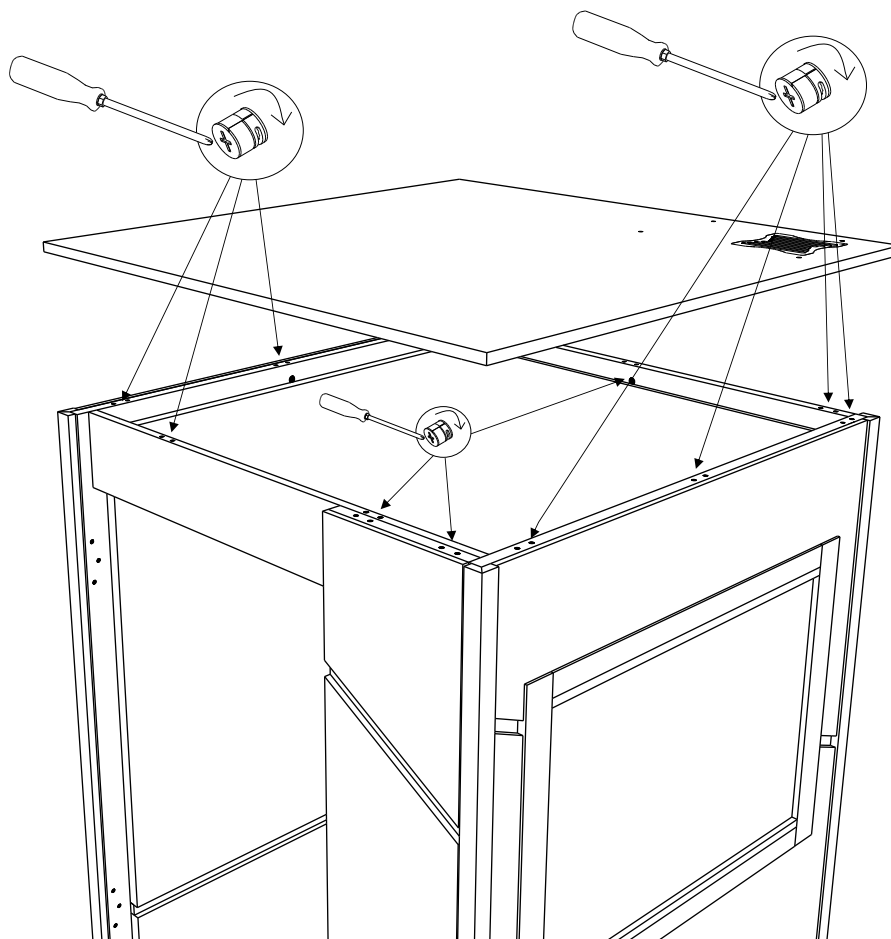
Preparing the roof element

Attach the connector bolts and wooden dowels to the roof element as shown.



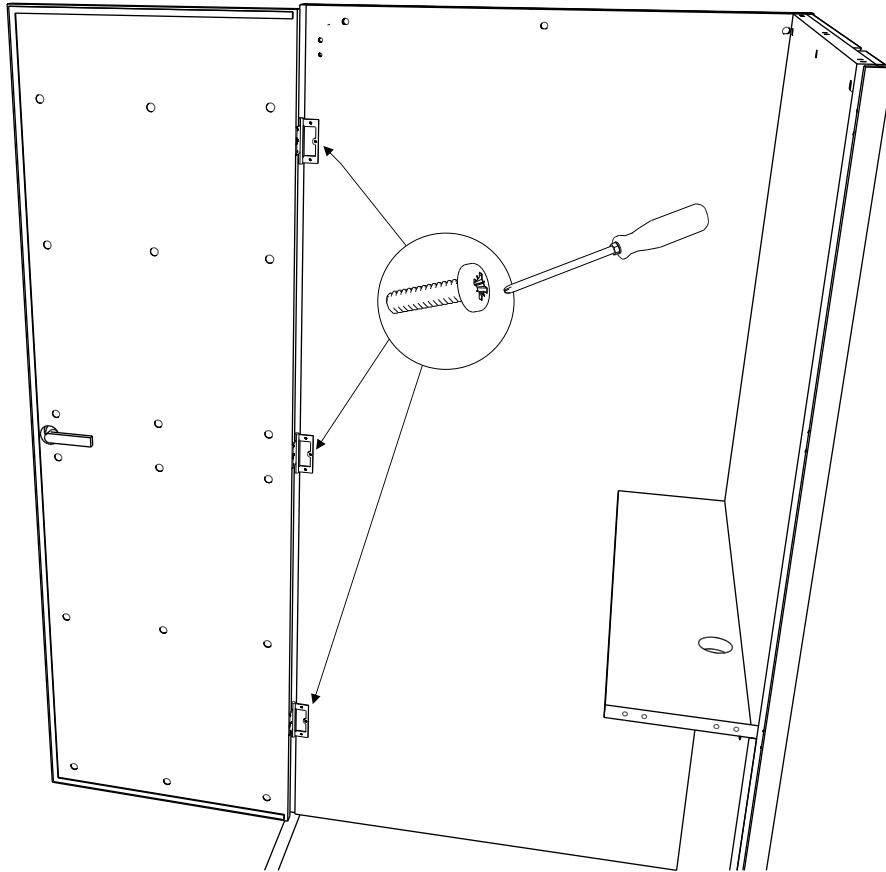
Attaching the roof element

Place the roof element on the walls as shown and tighten the indicated connector housings.



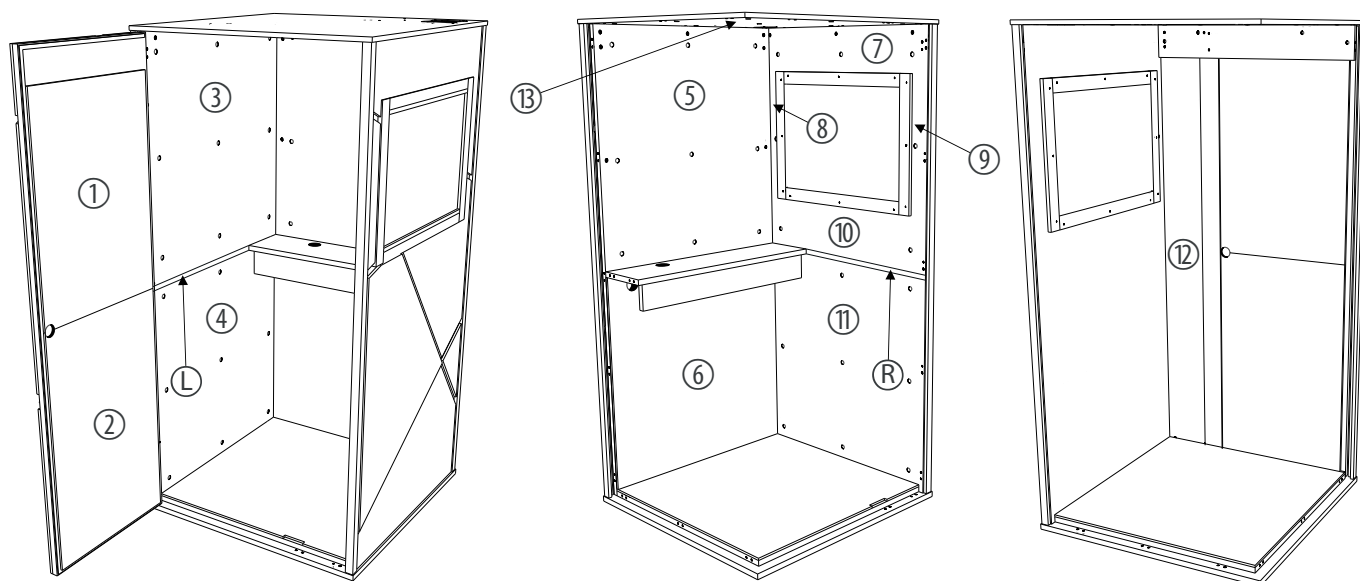
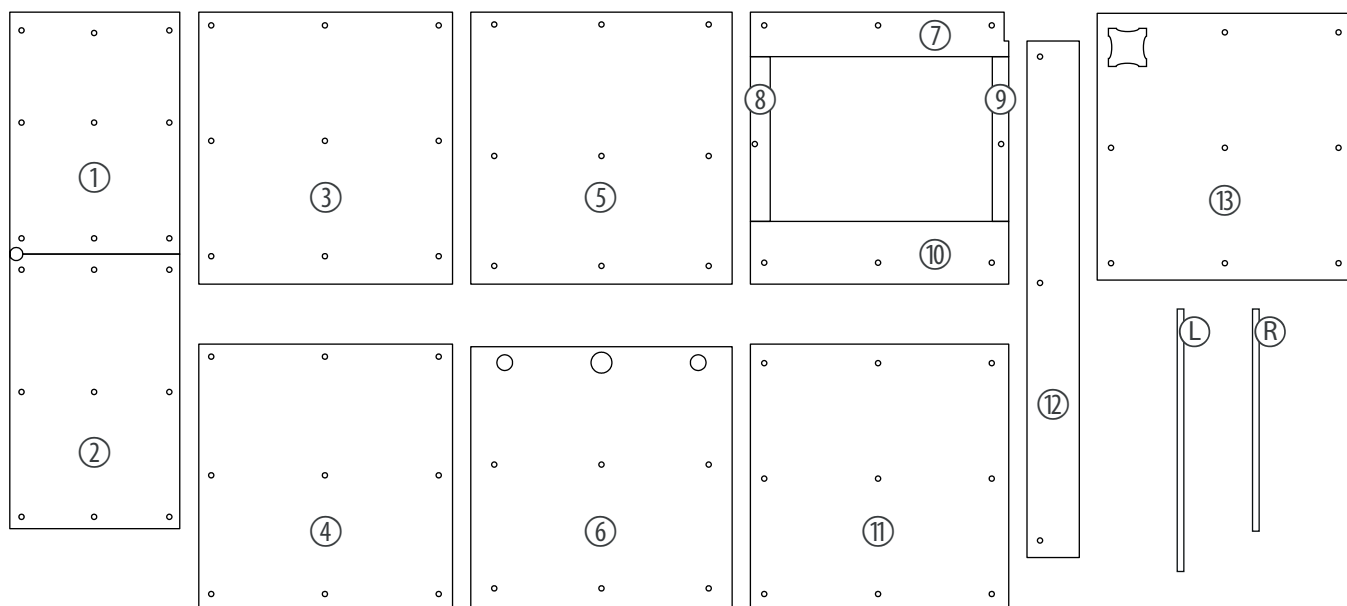
Attaching the door

Attach the door to the left side panel by attaching the hinges with three screws each as shown.



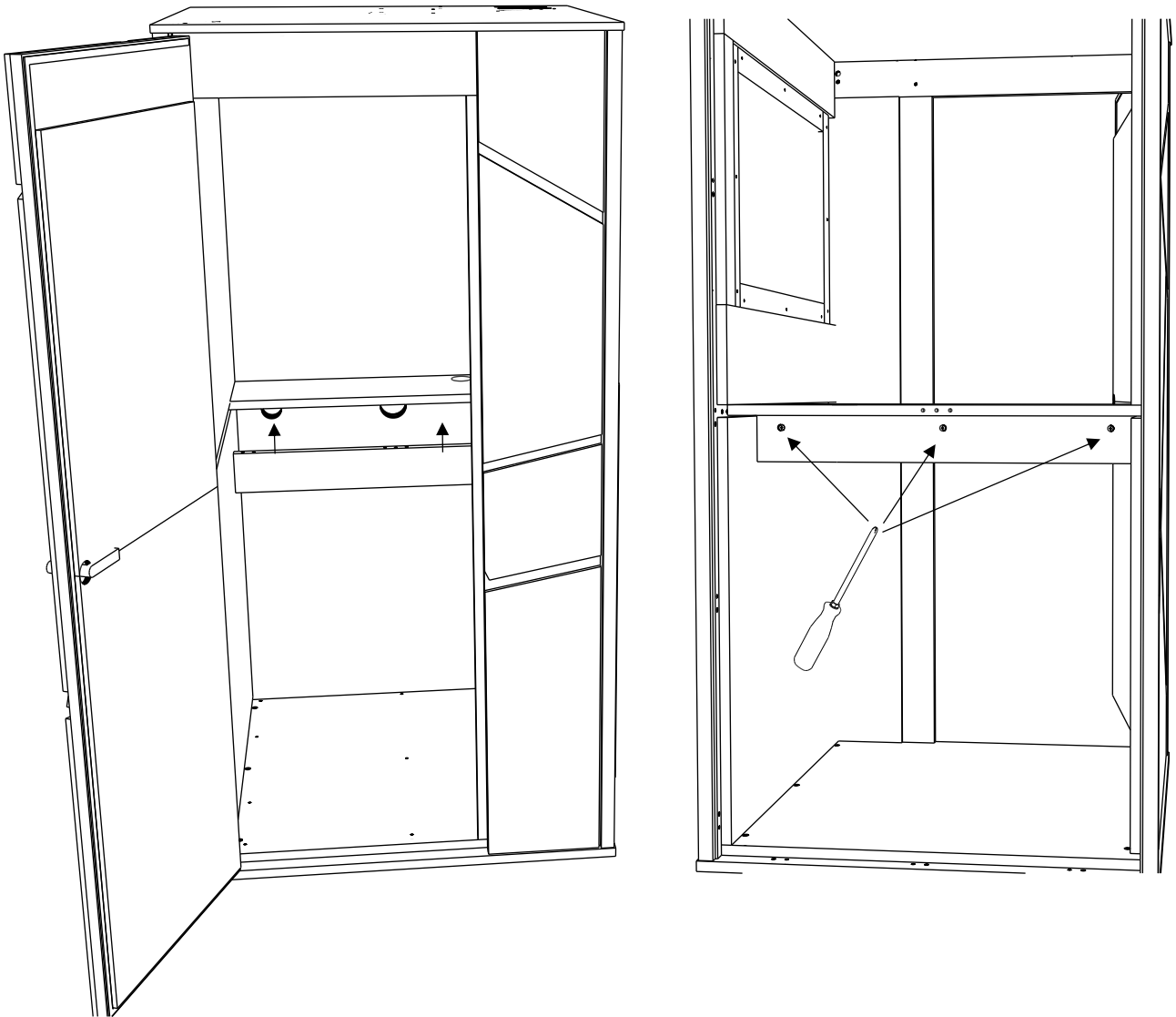
Attaching the insulating panels

Attach the magnetic insulating panels to the roof element, the door, the back panel and the two side panels as shown.



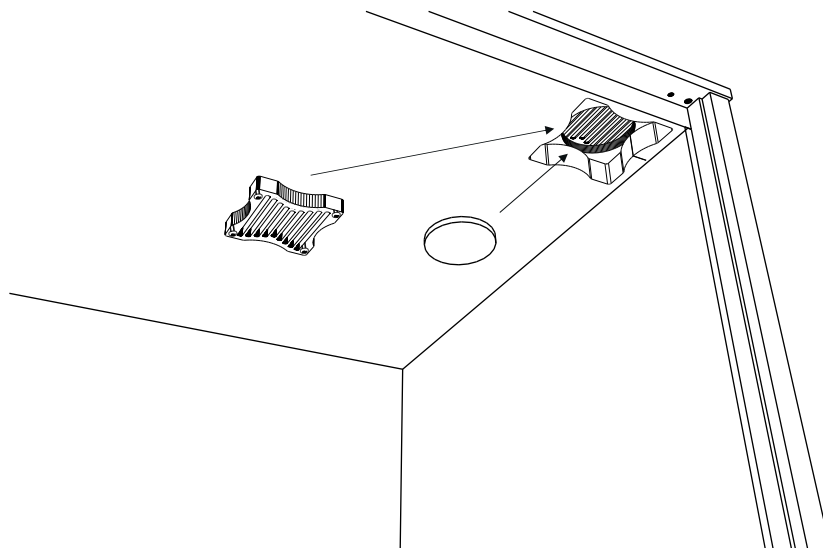
Attaching the second shelf

Attach the second shelf below the first shelf as shown and tighten the connector housings.



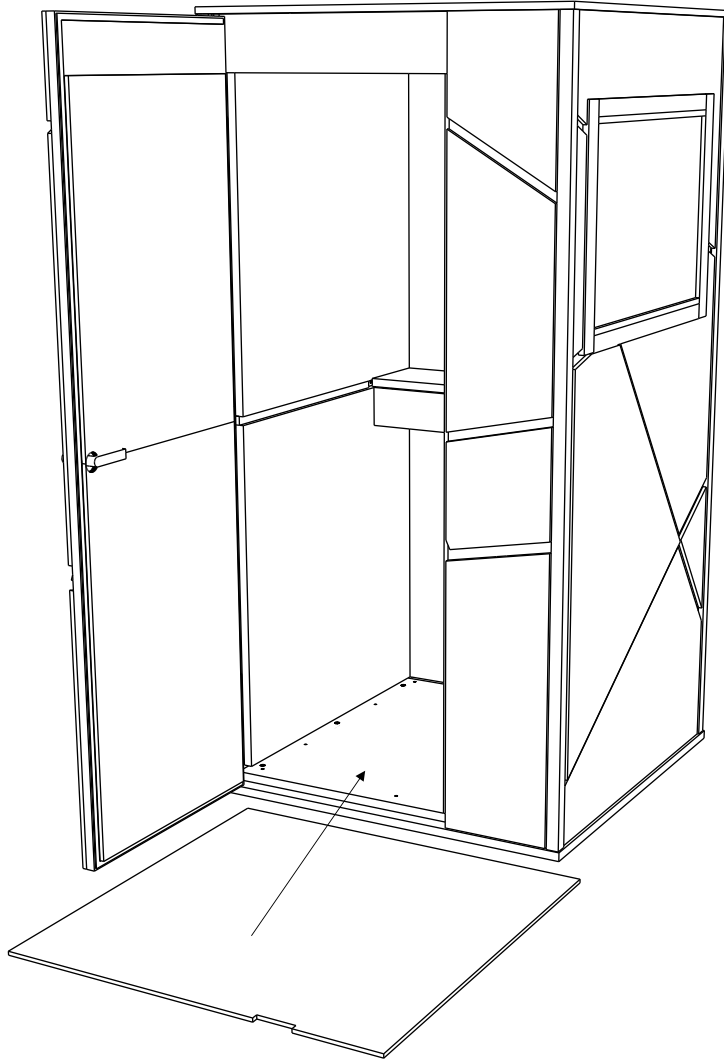
Completing the air vents

Insert the foam filter in the hole as shown and attach the ventilation cover with four screws.



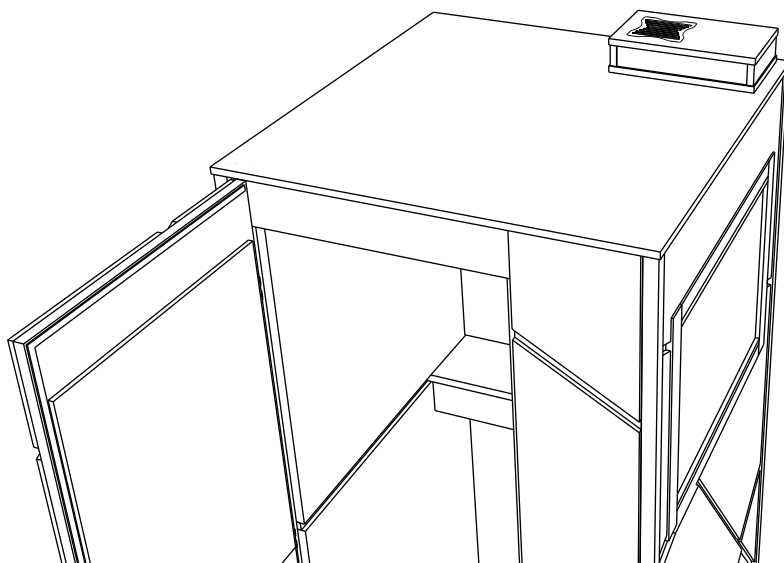
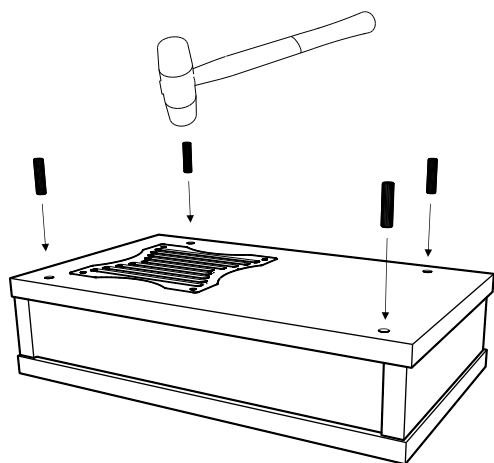
Inserting the carpet

Place the carpet on the floor panel as shown.



Attaching the optional ventilation system

Insert the wooden dowels in the underside of the ventilation system and then insert the ventilation element into the pre-drilled holes in the roof element.



6 Technical specifications

Voice and singing booth

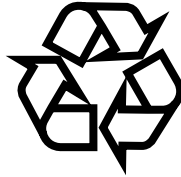
Volume reduction		approx. 27 dB
Material	Panels	MDF, melamine-coated
	Window module	Double-layer insulating glass
	Insulating panels	PET polyester
Dimensions (W × H × D)		Outside: 1,090 mm × 2,193 mm × 1,090 mm Height with optional ventilation module: 2,289 mm Inside: 975 mm × 2,075 mm × 963 mm
Weight		244 kg
Dimensions of window module (L × W)		770 mm × 530 mm

Optional ventilation module (item no. 564133)

Air exchange		40 m ³ / 20 air exchanges per hour
Supply voltage		100 - 240 V ~ 50/60 Hz
Dimensions (W × H × D)		400 mm × 108 mm × 230 mm
Weight		3.6 kg
Ambient conditions	Temperature range	0 °C...40 °C
	Relative humidity	20%...80% (non-condensing)

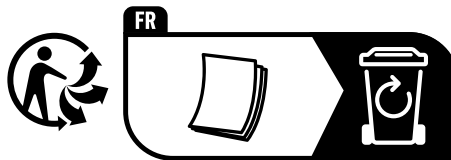
7 Protecting the environment

Disposal of the packing material



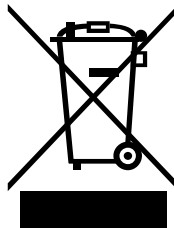
Environmentally friendly materials have been chosen for the packaging. These materials can be sent for normal recycling. Ensure that plastic bags, packaging, etc. are disposed of in the proper manner.

Do not dispose of these materials with your normal household waste, but make sure that they are collected for recycling. Please follow the instructions and markings on the packaging.



Observe the disposal note regarding documentation in France.

Disposal of your old device



This product is subject to the European Waste Electrical and Electronic Equipment Directive (WEEE) as amended.

Do not dispose of your old device with your normal household waste; instead, deliver it for controlled disposal by an approved waste disposal firm or through your local waste facility. If in doubt, consult your local waste management facility. You can also return the device to a retailer if they offer to take the device back for free or if they are legally obliged to do so. When disposing of the device, comply with the rules and regulations that apply in your country. You can also return your old device to Thomann GmbH at no charge. Check the current conditions on www.thomann.de.

Proper disposal protects the environment as well as the health of your fellow human beings. This is because the proper handling of old devices negates the potential negative effects of hazardous substances, and because it conserves resources by recycling them.

Also note that waste avoidance is a valuable contribution to environmental protection. Repairing a device or passing it on to another user is an ecologically valuable alternative to disposal. For example, use the classified ads of Thomann GmbH.

If your old device contains personal data, delete those data before disposing of it.

