

Thon Studio Rack 10U, 12U, 14U, 16U, 18U, 20U 50 studio rack



Musikhaus Thomann
Thomann GmbH
Hans-Thomann-Straße 1
96138 Burgebrach
Germany
Telephone: +49 (0) 9546 9223-0
E-mail: info@thomann.de
Internet: www.thomann.de

21.09.2021, ID: 372110, 372118, 372123, 372126, 372155, ... (V3)

Table of contents

1	Safety instructions	4
2	Scope of delivery	5
3	Installation	7
4	Technical specifications	16
5	Protecting the environment	22

1 Safety instructions

 **DANGER!**

Danger for children

Ensure that plastic bags, packaging, etc. are properly disposed of and are not in the reach of babies and young children. Choking hazard!

Ensure that children do not detach any small parts (e.g. knobs or the like) from the product. They could swallow the pieces and choke!

Never let children play unattended with the product.

 **CAUTION!**

Danger of hand cuts

Pay attention to sharp edges on tools, screws and components when assembling and screwing the items together.

2 Scope of delivery



Before you assemble your racks, make sure the contents of the package are complete according to the following list.

Thon Studio Rack

- 2 × side panel, 19 mm melamine coated furniture panel
- 1 × floor plate, 19 mm melamine coated furniture panel
- 1 × cover plate, 19 mm melamine coated furniture panel
- 2 × base, 19 mm melamine coated furniture panel
- 24 × wood screw
- 20 × connector housing
- 20 × connecting bolt
- 2 × metal rack strip, continuous, fitted with nuts and rubber edging
- 1 × set fixing screws M6 × 12 with matching washers
- 1 × Allen key
- 1 × hexagonal bit
- 1 × assembly instructions

Option glass door, lockable

- 1 × glass door, toughened safety glass with pre-assembled lock and hinges
- 1 × strike plate
- 6 × system screw
- 2 × countersunk screw
- 2 × cover plate
- 2 × key
- 1 × assembly instructions

Option furniture door back, lockable, in colour of carcass

- 1 × furniture door, 19 mm melamine coated furniture panel with pre-assembled lock and hinges
- 1 × strike plate
- 6 × system screw
- 2 × countersunk screw
- 2 × cover plate
- 2 × key
- 1 × assembly instructions

Option wheel set

- 4 × 50 mm wheels
- 16 × countersunk screw
- 1 × assembly instructions

Option rack strip set for rear assembly

- 2 × metal rack strip, continuous, fitted with nuts and rubber edging
- 1 × set screws
- 1 × set fixing screws M6 × 12 with matching washers
- 1 × assembly instructions

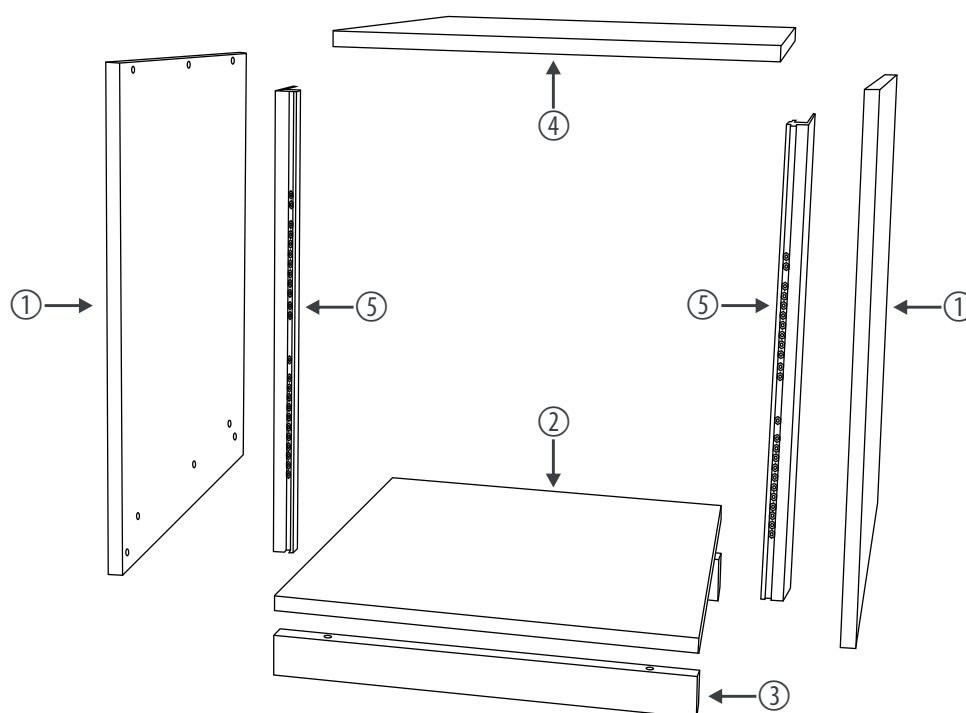
3 Installation



For assembly, place all components on a suitable assembly surface. Use a soft pad in order to avoid damage to the surfaces.

Overview

The following figure provides an overview of the positioning of the various components.



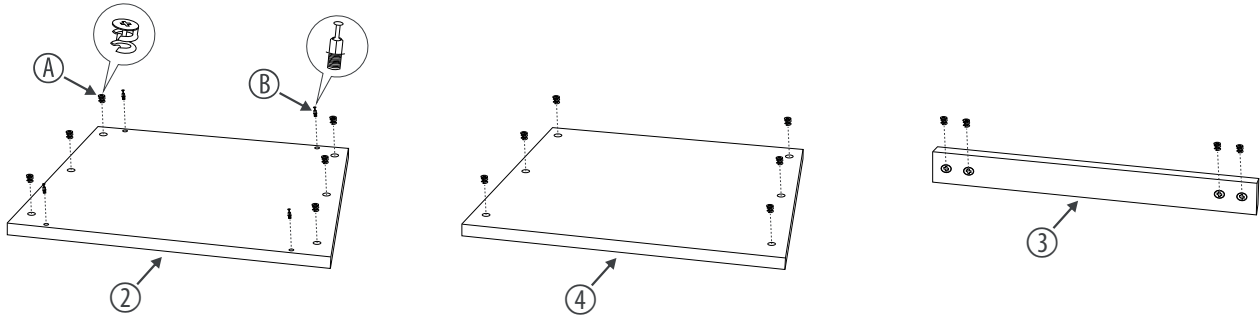
1	Side panels
2	Floor plate
3	Base
4	Cover plate
5	Rack strips

Preparation of components

Insert the connector housings and connecting bolts into the blind holes provided for them in the base plate (4 × connecting bolts, 6 × connector housings), the cover plate (6 × connector housings) and the bases (2 × connector housings each).

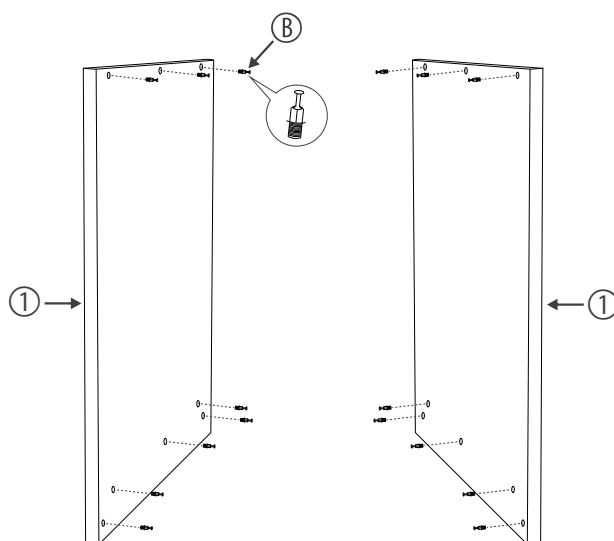


After inserting the connecting bolts, they are loose the holes and only spread apart after fastening the connector housings at the corresponding component.



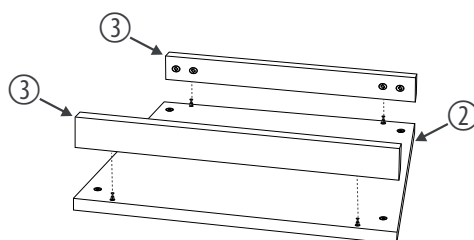
2	Floor plate
3	Base
4	Cover plate
A	Connector housing
B	Connecting bolt

Push eight connecting bolts into the blind holes provided for them in both side panels.



1	Side panels
B	Connecting bolt

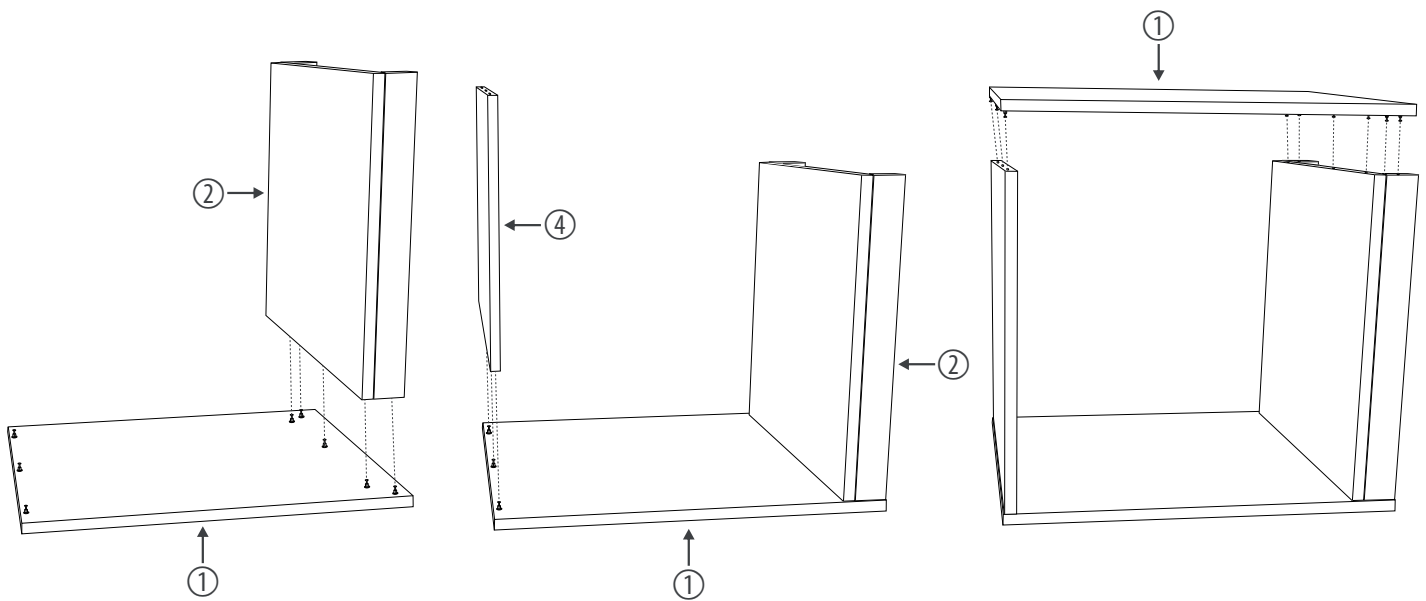
Assembling the base



2	Floor plate
3	Base

1. Place each of the two bases on two connecting bolts of the base plate. Make sure that the connector housings are positioned so that the connecting bolts can be inserted.
2. Turn the connector housings clockwise to lock the connection with the bolts inserted.
3. Check both bases for tightness and turn over the pre-assembled unit.

Assembling the side panels and cover plate



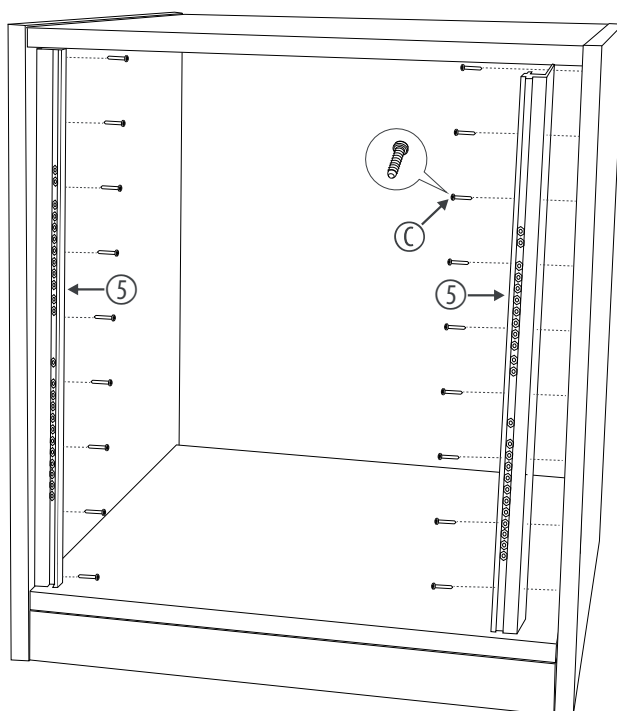
1	Side panels
2	Floor plate
4	Cover plate

1. Position all connector housings so that the connecting bolts can be fully inserted into the holes.
2. First, bolt together the base plate with the horizontal side panel. Turn the connector housings clockwise to lock the connection with the bolt inserted.
3. Place the cover plate on the connecting bolts of the horizontal side panel. Turn the connector housings clockwise to lock the connection with the bolts inserted.
4. Place the second side panel on the pre-assembled unit consisting of the side panel, bottom and cover plate. Turn the connector housings clockwise to lock the connection with the bolts inserted.
5. Check all connections for tightness.

Assembling the rack strips

Screw the rack strips into the rack on the inside so they are parallel the front edge, using the 24 wood screws supplied. The assembly position of the front rack strips supplied and optional rack strips for rear assembly is dependent on the required installation depth.

- Assembly depth without door: 0 ... 55 mm.
- Assembly depth with door: min. 75 mm. Make sure holes for strike plate are not covered!

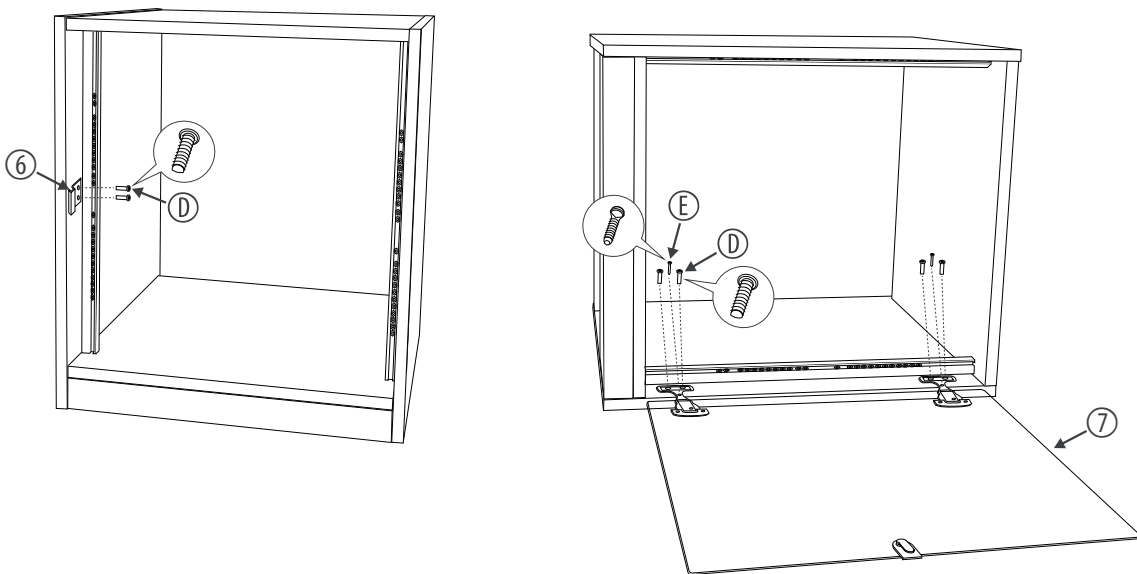


5	Rack strips
C	Wood screws

Assembly of optional doors

The locks of the lockable doors are pre-assembled. Check for tightness and, if required, re-tighten the fixing nuts of the locks before assembling the doors.

For the assembly of the optional glass door, a minimum of 75 mm must be provided for between the front outer edges and the rack strips (see figure). If doors were not intended during the initial assembly, first move the rack strips accordingly.



6	Strike plate
7	Glass door
D	System screw
E	Countersunk screw

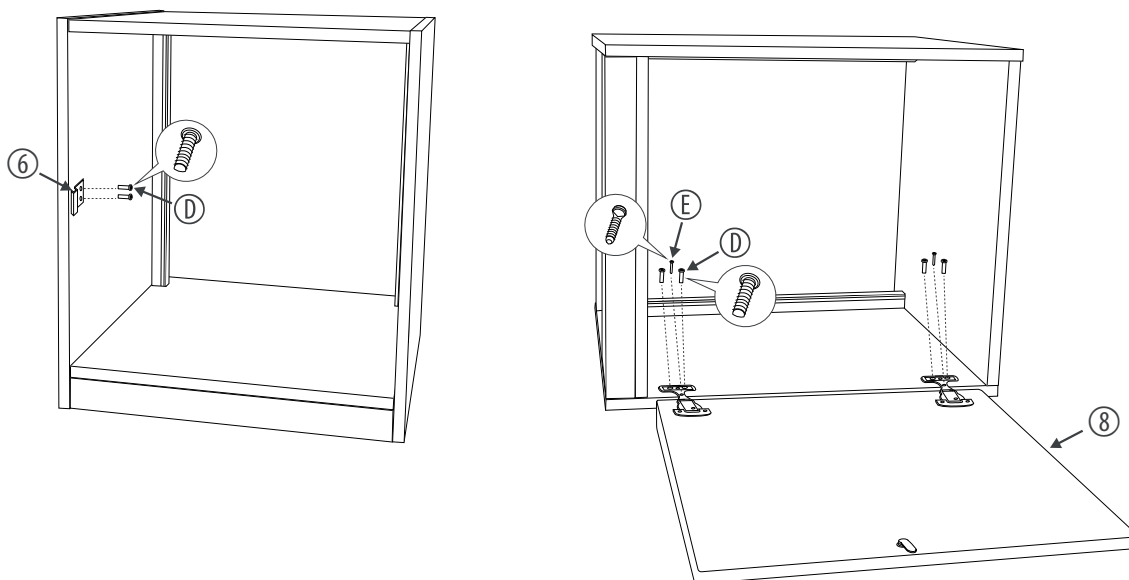
Screw the strike plate for the glass door at the front into the holes provided in the side panel, using two system screws.

Place the cabinet on its side and screw on the two hinges of the glass door using one countersunk screw and two system screws for each hinge. Finally, insert the plastic covers supplied into the two hinges.

For the assembly of the optional furniture door, a minimum of 75 mm must be provided between the back outer edges and the additional rack strips (see figure).



The back furniture door leaves sufficient room between the cabinet roof and the cabinet floor for feeding through cables.



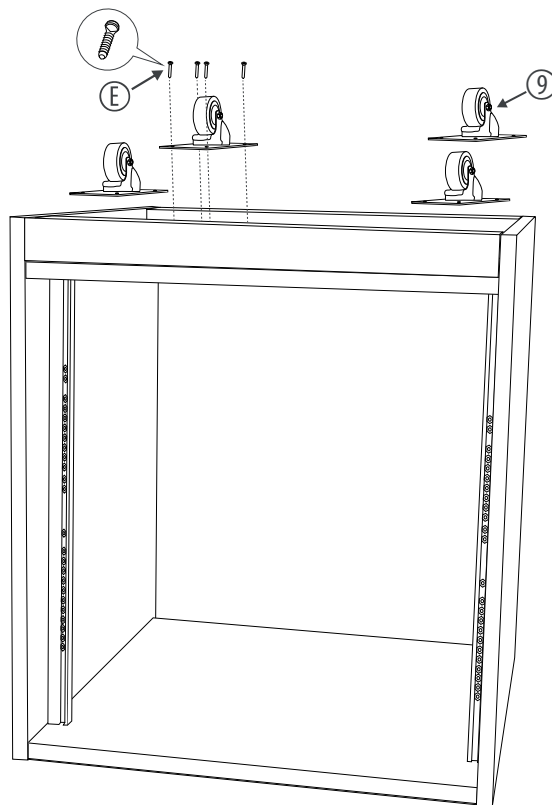
6	Strike plate
8	Furniture door
D	System screw
E	Countersunk screw

Screw the strike plate for the furniture door at the back of the cabinet into the holes provided in the side panel, using two system screws.

Place the cabinet on its side and screw on the two hinges of the furniture door using one countersunk screw and two system screws for each hinge. Finally, insert the plastic covers supplied into the two hinges.

Assembly of optional castors

Place the rack upside down for the assembly of the castors. Screw the four castors to the underside of the rack using four screws each.



9	Castors
E	Countersunk screw

Rack with assembled glass door



Rack with assembled furniture door



4 Technical specifications

Thon Studio Rack 10U 50

Thon Studio Rack 10U 50 BK, graphite	Item number 372363
Thon Studio Rack 10U 50 WH, white	Item number 375266
Thon Studio Rack 10U 50 oak	Item number 512927
Thon Studio Rack 10U 50 maple	Item number 524422
Thon Studio Rack 10U 50 beech	Item number 524421
Rack units	10
Installation depth	max. 495 mm
Dimensions (W × H × D)	540 mm × 545 mm × 500 mm
Weight	Approx. 16.3 kg

Tab. 1: Accessories for Thon Studio Rack 10U 50

Glass door front	Thon Glass Door 10U Studio, item number 380975
Furniture door back, graphite	Thon Back Door 10U Studio BK, item number 382092
Furniture door back, white	Thon Back Door 10U Studio WH, item number 382198
Furniture door back, oak	Thon Back Door 10U Studio OAK, item number 513483
Furniture door back, maple	Thon Back Door 10U Studio maple, item number 524817
Furniture door back, beech	Thon Back Door 10U Studio beech, item number 524811
Wheel set	Thon Wheel Set 50mm Studio Rack, item number 382512
Rack Strip Set	Thon 10U Studio Rack Strip Set, item number 382612

Thon Studio Rack 12U 50

Thon Studio Rack 12U 50 BK, graphite	Item number 372110
Thon Studio Rack 12U 50 WH, white	Item number 375268
Thon Studio Rack 12U 50 oak	Item number 512946
Thon Studio Rack 12U 50 maple	Item number 524435
Thon Studio Rack 12U 50 beech	Item number 524434
Rack units	12
Installation depth	max. 495 mm
Dimensions (W × H × D)	540 mm × 635 mm × 500 mm
Weight	Approx. 17.6 kg

Tab. 2: Accessories for Thon Studio Rack 12U 50

Glass door front	Thon Glass Door 12U Studio, item number 380978
Furniture door back, graphite	Thon Back Door 12U Studio BK, item number 382093
Furniture door back, white	Thon Back Door 12U Studio WH, item number 382199
Furniture door back, oak	Thon Back Door 12U Studio OAK, item number 513492
Furniture door back, maple	Thon Back Door 12U Studio maple, item number 524818
Furniture door back, beech	Thon Back Door 12U Studio beech, item number 524812
Wheel set	Thon Wheel Set 50mm Studio Rack, item number 382512
Rack Strip Set	Thon 12U Studio Rack Strip Set, item number 382617

Thon Studio Rack 14U 50

Thon Studio Rack 14U 50 BK, graphite	Item number 372118
Thon Studio Rack 14U 50 WH, white	Item number 375285
Thon Studio Rack 14U 50 oak	Item number 512953
Thon Studio Rack 14U 50 maple	Item number 524439
Thon Studio Rack 14U 50 beech	Item number 524438
Rack units	14
Installation depth	max. 495 mm
Dimensions (W × H × D)	540 mm × 725 mm × 500 mm
Weight	Approx. 18.9 kg

Tab. 3: Accessories for Thon Studio Rack 14U 50

Glass door front	Thon Glass Door 14U Studio, item number 380991
Furniture door back, graphite	Thon Back Door 14U Studio BK, item number 382094
Furniture door back, white	Thon Back Door 14U Studio WH, item number 382200
Furniture door back, oak	Thon Back Door 14U Studio OAK, item number 513486
Furniture door back, maple	Thon Back Door 14U Studio maple, item number 524819
Furniture door back, beech	Thon Back Door 14U Studio beech, item number 524813
Wheel set	Thon Wheel Set 50mm Studio Rack, item number 382512
Rack Strip Set	Thon 14U Studio Rack Strip Set, item number 382619

Thon Studio Rack 16U 50

Thon Studio Rack 16U 50 BK, graphite	Item number 372123
Thon Studio Rack 16U 50 WH, white	Item number 375289
Thon Studio Rack 16U 50 oak	Item number 512965
Thon Studio Rack 16U 50 maple	Item number 524445
Thon Studio Rack 16U 50 beech	Item number 524444
Rack units	16
Installation depth	max. 495 mm
Dimensions (W × H × D)	540 mm × 815 mm × 500 mm
Weight	Approx. 20.9 kg

Tab. 4: Accessories for Thon Studio Rack 16U 50

Glass door front	Thon Glass Door 16U Studio, item number 381006
Furniture door back, graphite	Thon Back Door 16U Studio BK, item number 382095
Furniture door back, white	Thon Back Door 16U Studio WH, item number 382201
Furniture door back, oak	Thon Back Door 16U Studio OAK, item number 513487
Furniture door back, maple	Thon Back Door 16U Studio maple, item number 524820
Furniture door back, beech	Thon Back Door 16U Studio beech, item number 524814
Wheel set	Thon Wheel Set 50mm Studio Rack, item number 382512
Rack Strip Set	Thon 16U Studio Rack Strip Set, item number 382622

Thon Studio Rack 18U 50

Thon Studio Rack 18U 50 BK, graphite	Item number 372126
Thon Studio Rack 18U 50 WH, white	Item number 375291
Thon Studio Rack 18U 50 oak	Item number 512966
Thon Studio Rack 18U 50 maple	Item number 524449
Thon Studio Rack 18U 50 beech	Item number 524447
Rack units	18
Installation depth	max. 495 mm
Dimensions (W × H × D)	540 mm × 905 mm × 500 mm
Weight	Approx. 22 kg

Tab. 5: Accessories for Thon Studio Rack 18U 50

Glass door front	Thon Glass Door 18U Studio, item number 380997
Furniture door back, graphite	Thon Back Door 18U Studio BK, item number 382096
Furniture door back, white	Thon Back Door 18U Studio WH, item number 382202
Furniture door back, oak	Thon Back Door 18U Studio OAK, item number 513488
Furniture door back, maple	Thon Back Door 18U Studio maple, item number 524821
Furniture door back, beech	Thon Back Door 18U Studio beech, item number 524815
Wheel set	Thon Wheel Set 50mm Studio Rack, item number 382512
Rack Strip Set	Thon 18U Studio Rack Strip Set, item number 382625

Thon Studio Rack 20U 50

Thon Studio Rack 20U 50 BK, graphite	Item number 372155
Thon Studio Rack 20U 50 WH, white	Item number 375293
Thon Studio Rack 20U 50 oak	Item number 512968
Thon Studio Rack 20U 50 maple	Item number 524455
Thon Studio Rack 20U 50 beech	Item number 524454
Rack units	20
Installation depth	max. 495 mm
Dimensions (W × H × D)	540 mm × 995 mm × 500 mm
Weight	Approx. 24 kg

Tab. 6: Accessories for Thon Studio Rack 20U 50

Glass door front	Thon Glass Door 20U Studio, item number 381005
Furniture door back, graphite	Thon Back Door 20U Studio BK, item number 382097
Furniture door back, white	Thon Back Door 20U Studio WH, item number 382203
Furniture door back, oak	Thon Back Door 20U Studio OAK, item number 513489
Furniture door back, maple	Thon Back Door 20U Studio maple, item number 524822
Furniture door back, beech	Thon Back Door 20U Studio beech, item number 524816
Wheel set	Thon Wheel Set 50mm Studio Rack, item number 382512
Rack Strip Set	Thon 20U Studio Rack Strip Set, item number 382627

5 Protecting the environment

Disposal of the packaging material



For the transport and protective packaging, environmentally friendly materials have been chosen that can be supplied to normal recycling.

Ensure that plastic bags, packaging, etc. are properly disposed of.

Do not just dispose of these materials with your normal household waste, but make sure that they are collected for recycling. Please follow the notes and markings on the packaging.

