

**Millenium** **Drums**

MPS-850

Assembly Instructions

E-Drum Set

Thomann GmbH  
Hans-Thomann-Straße 1  
96138 Burgebrach  
Germany  
Telephone: +49 (0) 9546 9223-0  
Internet: [www.thomann.de](http://www.thomann.de)

26.04.2024, ID: 428224 (V4)

## Table of contents

<b>1</b>	<b>General information</b> .....	<b>5</b>
1.1	Symbols and signal words.....	5
<b>2</b>	<b>Safety instructions</b> .....	<b>6</b>
<b>3</b>	<b>Scope of delivery</b> .....	<b>7</b>
<b>4</b>	<b>Assembly</b> .....	<b>10</b>
<b>5</b>	<b>Protecting the environment</b> .....	<b>17</b>




# 1 General information

This document contains important instructions for the safe operation of the product. Read and follow the safety instructions and all other instructions. Keep the document for future reference. Make sure that it is available to all those using the product. If you sell the product to another user, be sure that they also receive this document.

Our products and documentation are subject to a process of continuous development. They are therefore subject to change. Please refer to the latest version of the documentation, which is ready for download under [www.thomann.de](http://www.thomann.de).

## 1.1 Symbols and signal words

In this section you will find an overview of the meaning of symbols and signal words that are used in this document.

Signal word	Meaning
<b>DANGER!</b>	This combination of symbol and signal word indicates an immediate dangerous situation that will result in death or serious injury if it is not avoided.
<b>WARNING!</b>	This combination of symbol and signal word indicates a possible dangerous situation that can result in death or serious injury if it is not avoided.
<b>CAUTION!</b>	This combination of symbol and signal word indicates a possible dangerous situation that can result in minor injury if it is not avoided.
<b>NOTICE!</b>	This combination of symbol and signal word indicates a possible dangerous situation that can result in material and environmental damage if it is not avoided.
Warning signs	Type of danger
	Warning – danger zone.

## 2 Safety instructions

### **DANGER!**

#### **Risk of injury and choking hazard for children!**

Children can suffocate on packaging material and small parts. Children can injure themselves when handling the device. Never allow children to play with the packaging material and the device. Always store packaging material out of the reach of babies and small children. Always dispose of packaging material properly when it is not in use. Never allow children to use the device without supervision. Keep small parts away from children and make sure that the device does not shed any small parts (such knobs) that children could play with.

### **WARNING!**

#### **Possible hearing damage due to high volumes on speakers or headphones!**

With speakers or headphones connected, the device can produce volume levels that may cause temporary or permanent hearing impairment. Over an extended period of time, even levels that seem to be uncritical can cause hearing damage. Do not operate the device permanently at a high volume level. Decrease the volume level immediately if you experience ringing in your ears or hearing impairment.

### **NOTICE!**

#### **Damage to the device if operated in unsuitable ambient conditions!**

The device can be damaged if it is operated in unsuitable ambient conditions. Only operate the device indoors within the ambient conditions specified in the "Technical specifications" chapter of this user manual. Avoid operating it in environments with direct sunlight, heavy dirt and strong vibrations. Avoid operating it in environments with strong temperature fluctuations. If temperature fluctuations cannot be avoided (for example after transport in low outside temperatures), do not switch on the device immediately. Never subject the device to liquids or moisture. Never move the device to another location while it is in operation. In environments with increased dirt levels (for example due to dust, smoke, nicotine or mist): Have the device cleaned by qualified specialists at regular intervals to prevent damage due to overheating and other malfunctions.

### **NOTICE!**

#### **Damage to the external power supply due to high voltages!**

The device is powered by an external power supply. The external power supply can be damaged if it is operated with the incorrect voltage or if high voltage peaks occur. In the worst case, excess voltages can also cause a risk of injury and fires. Make sure that the voltage specification on the external power supply matches the local power grid before plugging in the power supply. Only operate the external power supply from professionally installed mains sockets that are protected by a residual current circuit breaker (FI). As a precaution, disconnect the power supply from the power grid when storms are approaching or if the device will not be used for a longer period.

### **NOTICE!**

#### **Possible staining due to plasticiser in rubber feet!**

The plasticiser contained in the rubber feet of this product may react with the coating of the floor and cause permanent dark stains after some time. If necessary, use a suitable mat or felt slide to prevent direct contact between the device's rubber feet and the floor.

### 3 Scope of delivery



Before you assemble your drum set, make sure the contents of package is complete according to the following list and figure.

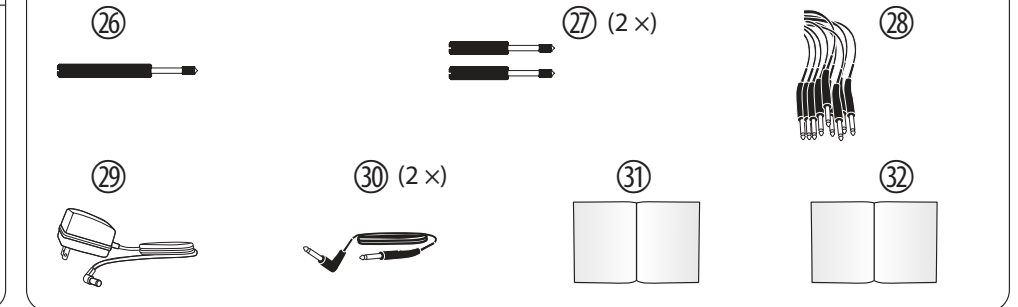
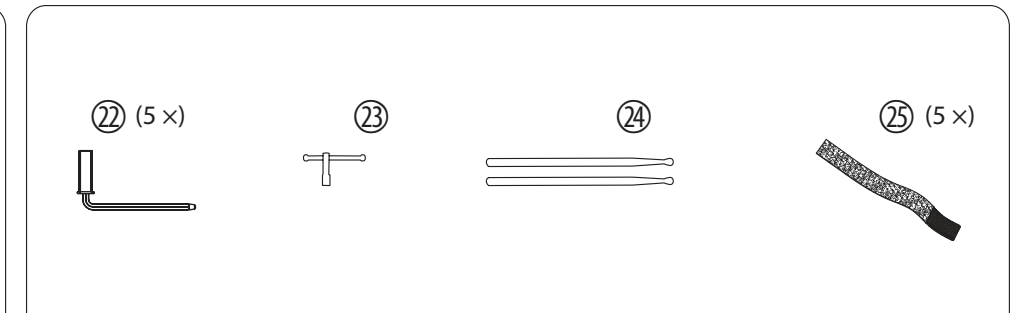
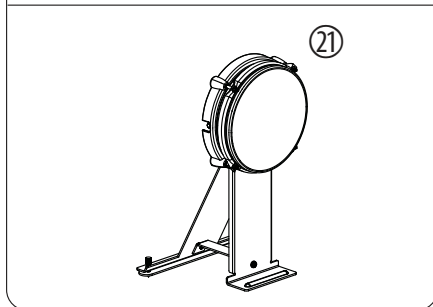
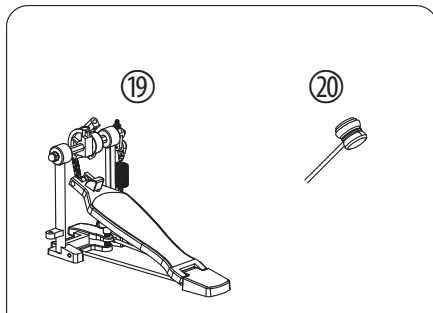
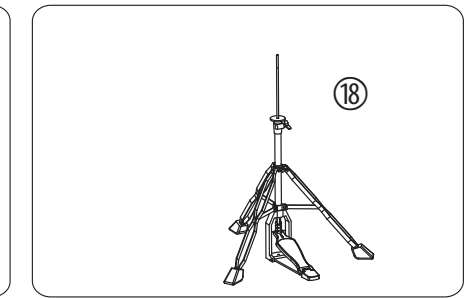
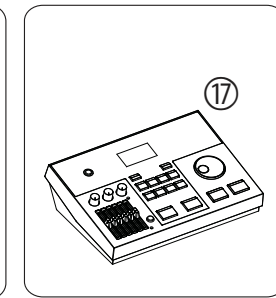
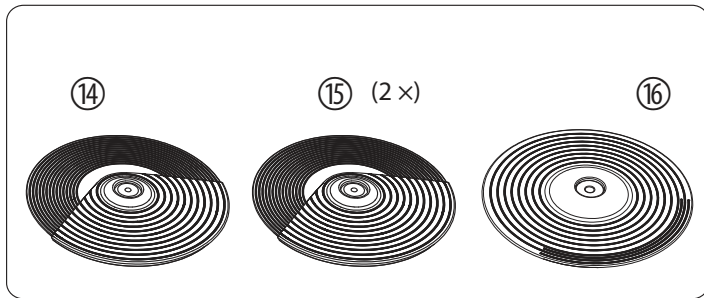
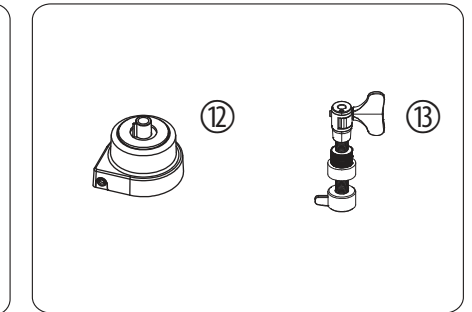
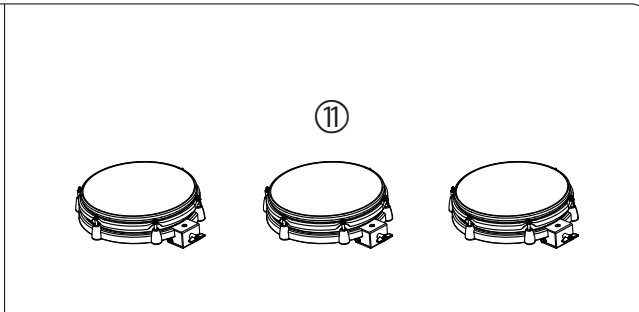
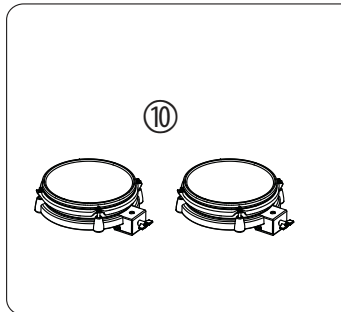
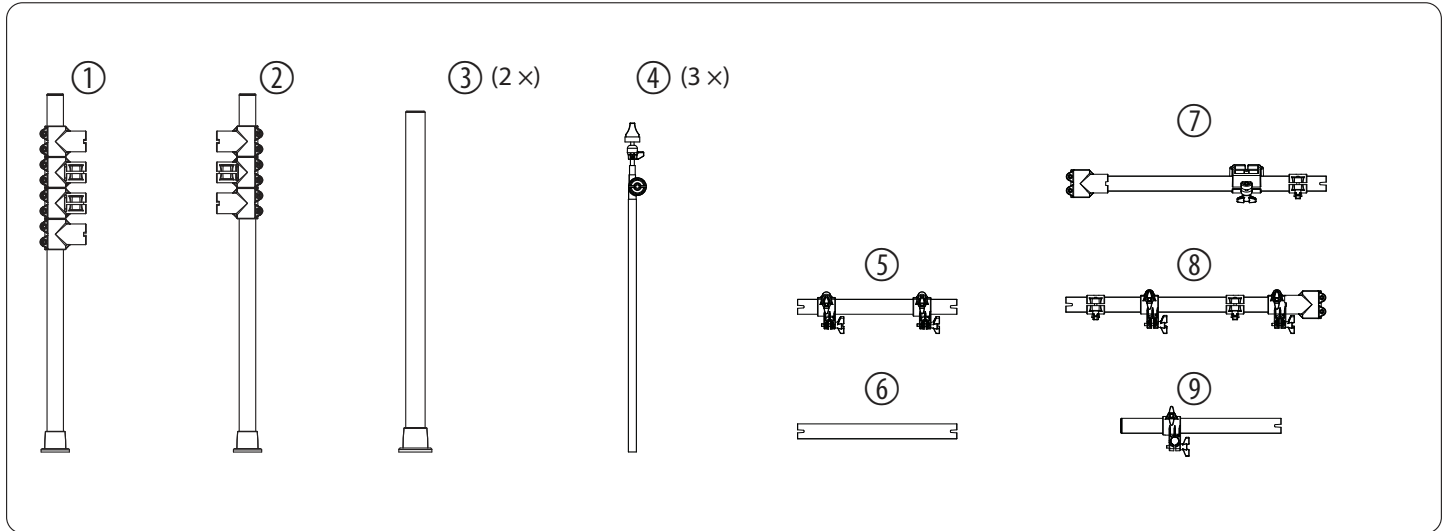
Item	Qty.	
1	1	Lateral support tube on the left
2	1	Lateral support tube on the right
3	2	Support tube for crossbeam
4	3	Cymbal holders (crash and ride)
5	1	Upper horizontal connection tube
6	1	Lower horizontal connection tube
7	1	Left crossbeam
8	1	Right crossbeam
9	1	Crossbeam for snare
10	2	Tom pad 1 (8", dual zone), tom pad 2 (8", dual zone)
11	3	Tom pad 3 (10", dual zone), tom pad 4 (10", dual zone), snare pad (dual zone)
12	1	Hi-hat controller
13	1	Connector for hi-hat
14	1	Hi-hat (with edge and choke)
15	2	Crash 1 (with edge and choke), crash 2 (with edge and choke)
16	1	Ride (with edge, bell and choke)
17	1	E-drum module Millenium MPS-850
18	1	Hi-hat stand with pedal
19	1	Bass drum pad pedal
20	1	Pedal beater
21	1	Bass drum pad
22	5	Mounting bracket for pads
23	1	Drum key
24	1	Set of drum sticks
25	5	Hook-pile tape
26	1	Thumb screw, long
27	2	Thumb screw, short
28	1	Multi-cable for connecting the pads to the e-drum module
29	1	Power adapter
30	2	Single connection cable for tom 4 and crash 2

## Scope of delivery

---

Item	Qty.	
31	1	Assembly instructions for the e-drum set
32	1	User manual for the e-drum module

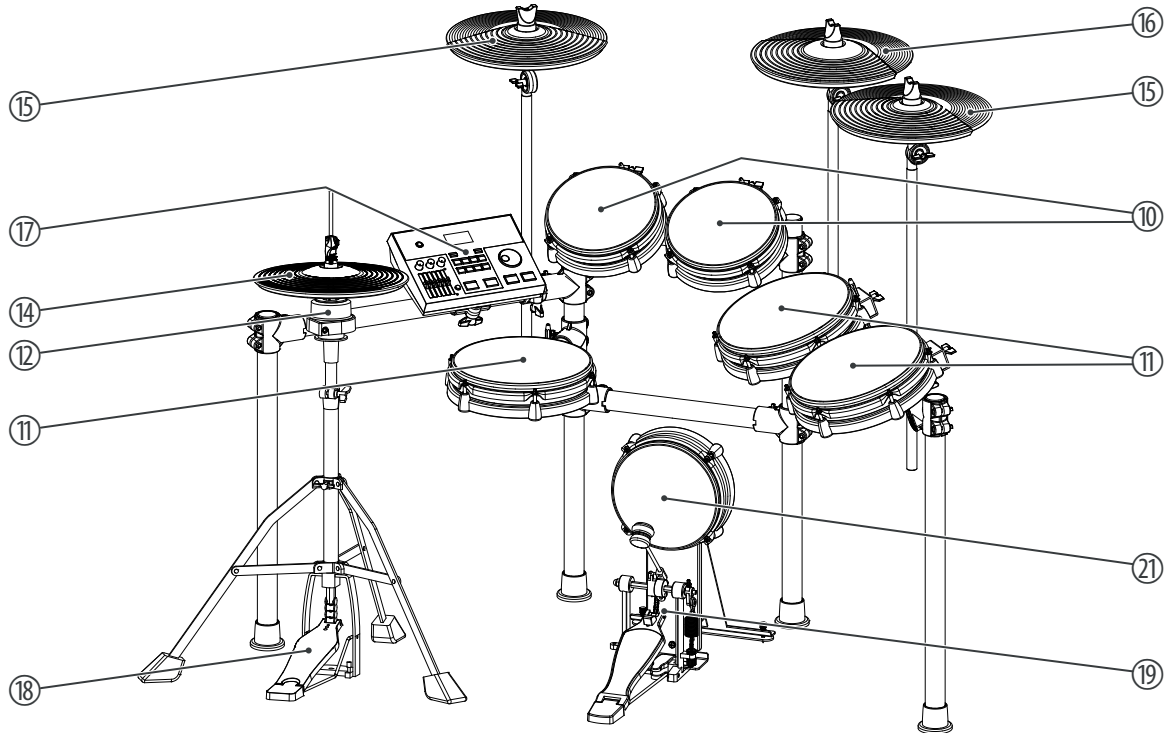




## 4 Assembly

### Overview

Loosen the screws of the clamps before sticking the tubes together. Mount the various elements in the specified sequence. The final positions of the components are shown in the illustration below.



10	Tom pad 1 (8"), tom pad 2 (8")
11	Tom pad 3 (10"), tom pad 4 (10"), snare pad
12	Hi-hat controller
14	Hi-hat pad
15	Crash 1, crash 2
16	Ride
17	E-drum module Millenium MPS-850
18	Hi-hat stand with pedal
19	Bass drum pad pedal
21	Bass drum pad

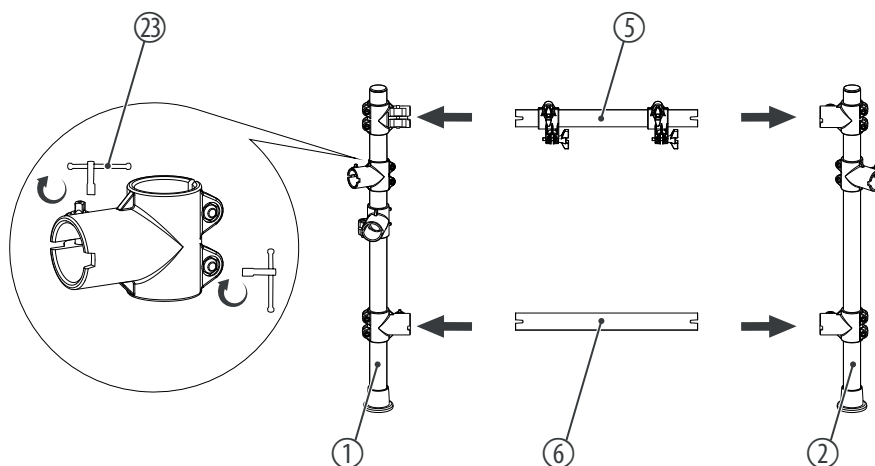
**Assembling the rack**

**⚠ CAUTION!**

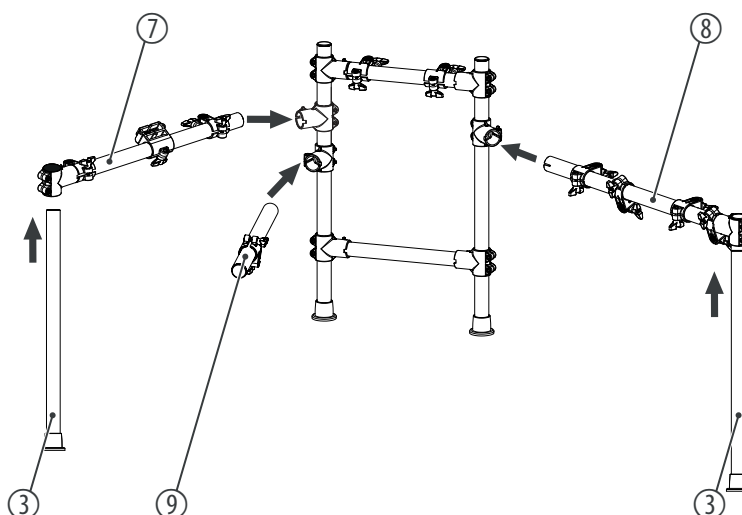
**Risk of cuts to the hands from sharp edges during assembly!**

Tools, screws and components can have sharp edges that can cause cuts during assembly.

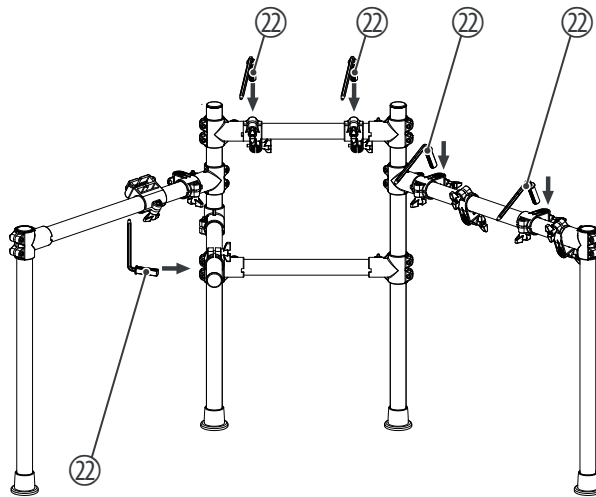
Pay attention to sharp edges when assembling and screwing the individual parts. Wear protective gloves if necessary.



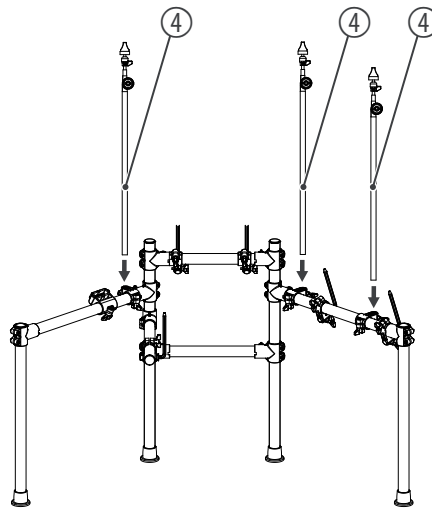
1. ➤ Attach the horizontal connection tubes (5, 6) to the lateral support tubes (1, 2).
2. ➤ Then tighten the mounting screws with the drum key (23).



1. ➤ Attach the crossbeams of the rack (7, 8, 9) in the provided mounting clamps.
2. ➤ Attach the crossbeam support tubes (3) in the provided mounting clamps. Make sure that the ends of the support tubes (3) are resting on the floor.
3. ➤ Then tighten the mounting screws.

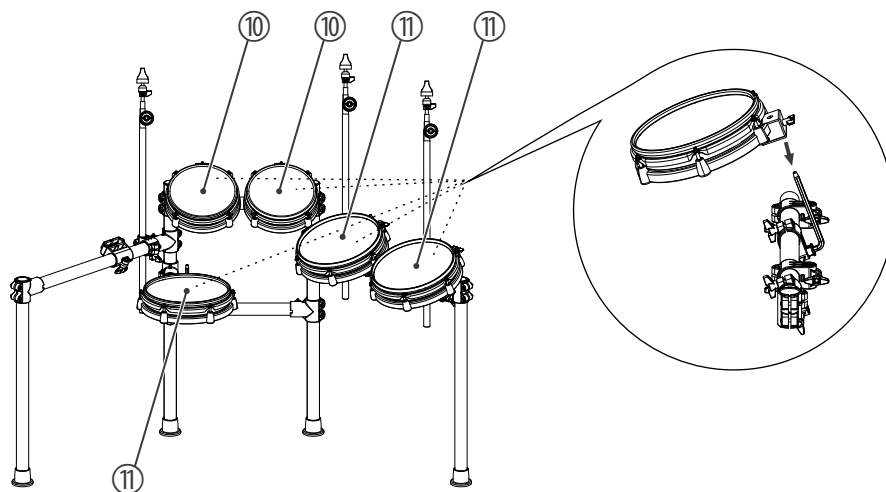


1. Position the mounting brackets (22) for the individual pads. Then tighten the mounting screws.
2. Turn the mounting brackets (22) to the correct position for mounting the pads. Then tighten the mounting screws.



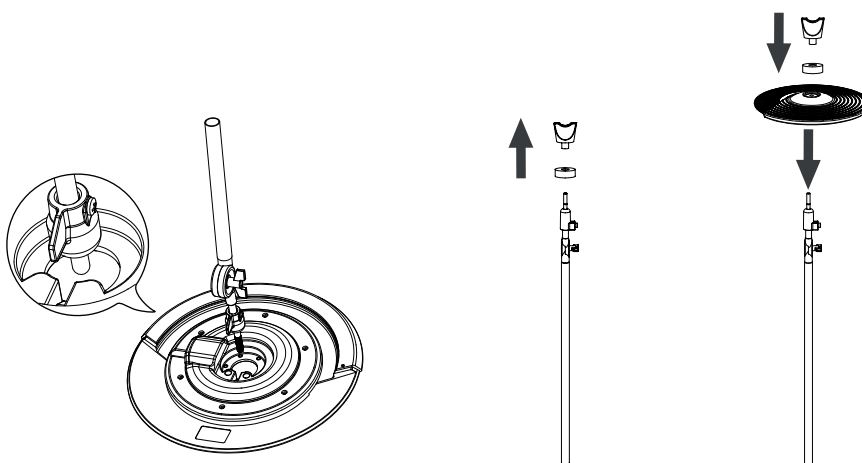
1. Insert the brackets (4) for the cymbals (crash, ride) into the provided mounting clamps on the rack. Use the mounting screws to attach the brackets at the required height.
2. Loosen the retaining screws on the bracket joints and turn the brackets into the desired playing positions. Then tighten the retaining screws again.

### Mounting pads on the rack



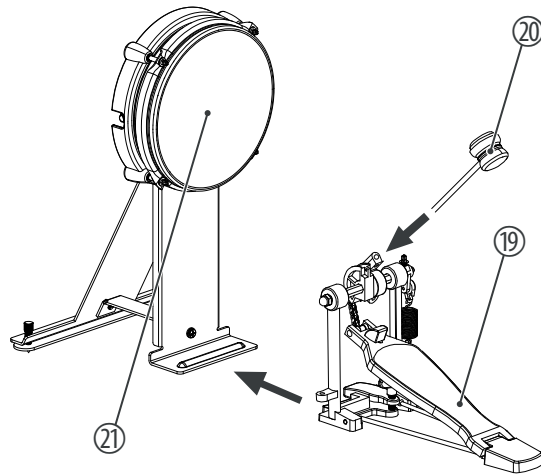
1. ➤ Attach the mounting brackets to the pads (10, 11). Tighten the wing nuts on the pads by hand first.
2. ➤ Then slide the plastic ends of the mounting brackets up to the stop into the designated clamps on the rack.
3. ➤ Align the pads on the rack to meet your needs, then tighten the wing nuts of the pad brackets and the bolts of the pad clamps on the rack evenly.

### Mounting cymbals on the rack



1. ➤ Unscrew the wing nuts from the cymbal holders and take the felt washers off the holders.
2. ➤ Place the cymbals as shown in the figure on the holders.
3. ➤ Place the felt washers on the cymbals and fix the cymbals with the associated wing nuts on the holders.

## Setting up the bass drum pedal



1. Snap the two metal rods into the holes provided on the frame of the bass drum pedal.
2. Place the beater (20) into the hole provided on the rotary head of the pedal (19) and tighten the clamp with the drum key (23).

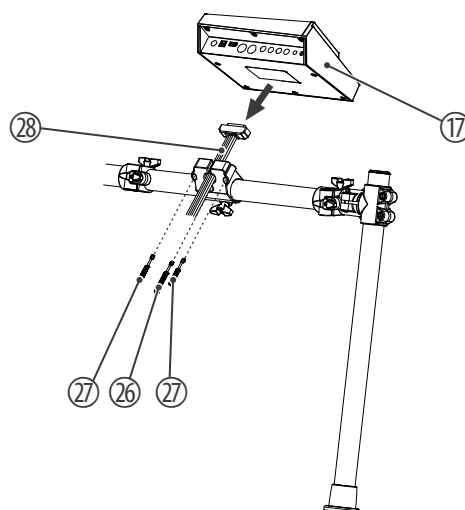


### Aligning the beater

Pay attention to the correct orientation of the beater. The beater may only hit the bass drum pad with the black plastic side. When using the felt side however, the abrasion and a possible tearing of the mesh head skin is significantly accelerated.

The bass drum beater can be turned 180 degrees by loosening the locking screw.

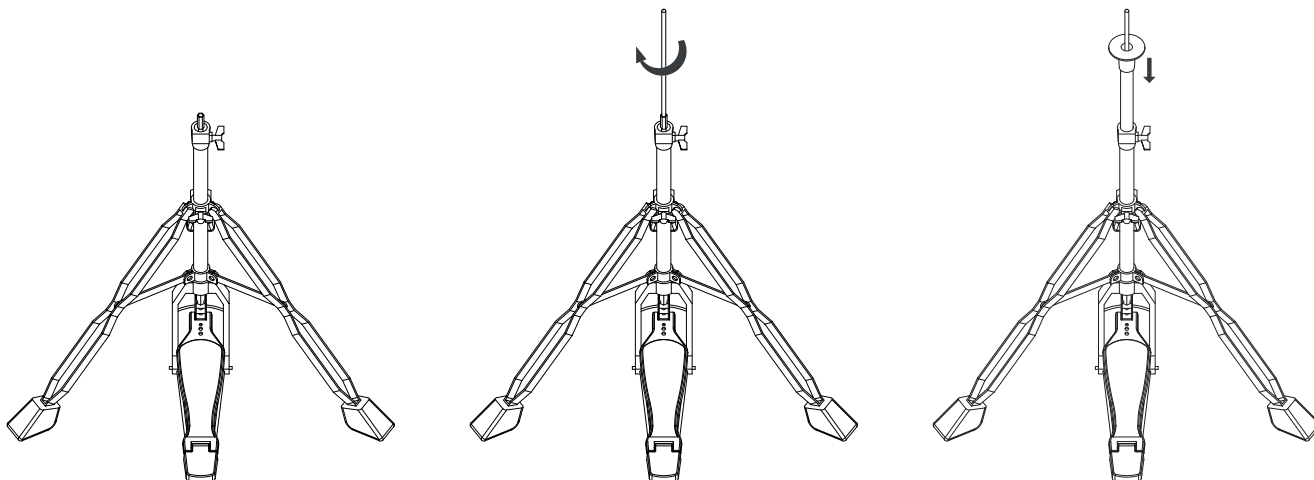
## Mounting the e-drum module on the rack



1. Push the e-drum module (17) to the stop into the free clamp of the crossbeam. Thread the multi-cable (28) through the clamp and insert the sub-D connector into the corresponding socket of the drum module.
2. Tighten the thumb screws (26, 27) on the clamp.
3. Align the module and tighten the wing nut of the clamp.

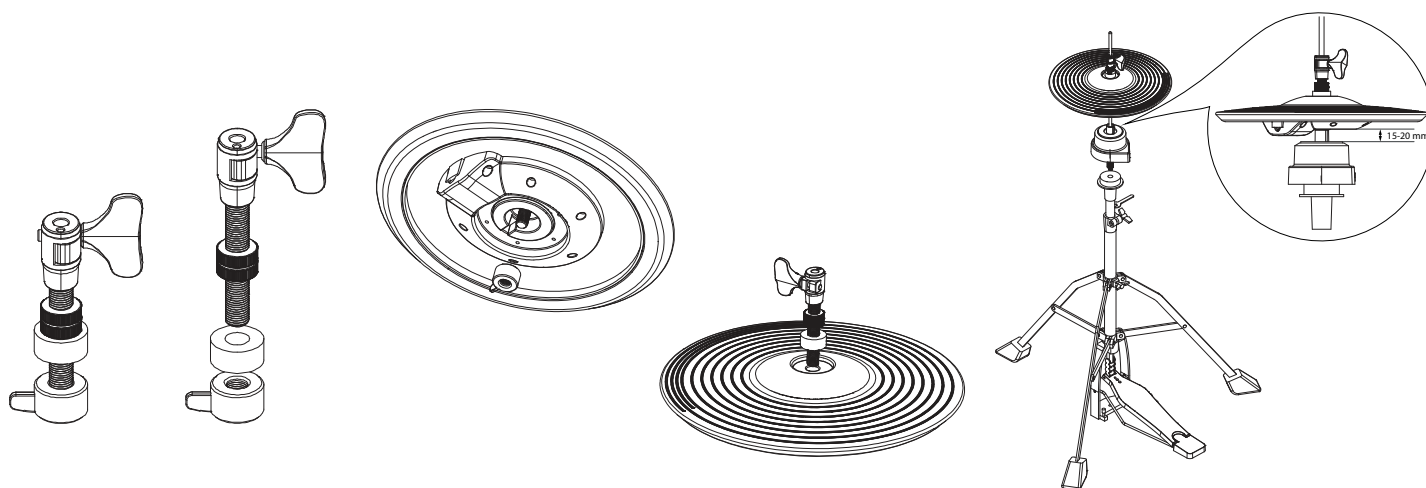
### Assembling the hi-hat stand

Assemble the hi-hat stand as shown below.



Proceed as follows to attach the hi-hat controller (12) and the hi-hat (14) to the hi-hat stand (18):

1. ➤ Loosen the Allen screw on the hi-hat connector piece with the drum key. Turn the top anti-clockwise and lift up the individual parts to remove them.
2. ➤ Put the hi-hat on the lower part of the connector piece. Put the parts removed in the previous step back onto the connector piece and tighten the Allen screw again.
3. ➤ Put the hi-hat controller onto the hi-hat stand.
4. ➤ Place the hi-hat with the connector piece onto the hi-hat stand. The distance between the hi-hat and the hi-hat controller should be 15 mm to 20 mm.
5. ➤ Tighten the wing screw on the connector piece.



### Positioning the bass drum and hi-hat

1. ➤ Place the pedal with the bass drum pad centred under the rack. Position the bass drum pedal centred in front of the pad.
2. ➤ Place the hi-hat pedal to the left of the bass drum pad.

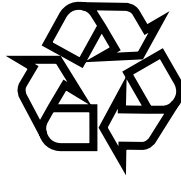
### **Set-up and cabling**

Set up the rack, the pads and the cymbals according to your needs. Finally, position the drum pedal and the hi-hat controller in front of the rack and connect all trigger cables to the e-drum module.



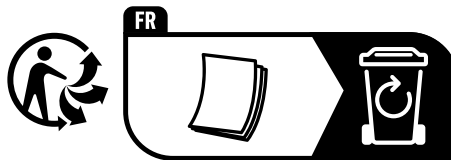
## 5 Protecting the environment

### Disposal of the packing material



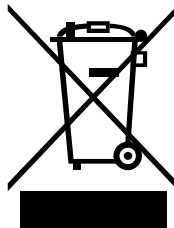
Environmentally friendly materials have been chosen for the packaging. These materials can be sent for normal recycling. Ensure that plastic bags, packaging, etc. are disposed of in the proper manner.

Do not dispose of these materials with your normal household waste, but make sure that they are collected for recycling. Please follow the instructions and markings on the packaging.



Observe the disposal note regarding documentation in France.

### Disposal of your old device



This product is subject to the European Waste Electrical and Electronic Equipment Directive (WEEE) as amended.

Do not dispose of your old device with your normal household waste; instead, deliver it for controlled disposal by an approved waste disposal firm or through your local waste facility. If in doubt, consult your local waste management facility. You can also return the device to a retailer if they offer to take the device back for free or if they are legally obliged to do so. When disposing of the device, comply with the rules and regulations that apply in your country. You can also return your old device to Thomann GmbH at no charge. Check the current conditions on [www.thomann.de](http://www.thomann.de).

Proper disposal protects the environment as well as the health of your fellow human beings. This is because the proper handling of old devices negates the potential negative effects of hazardous substances, and because it conserves resources by recycling them.

Also note that waste avoidance is a valuable contribution to environmental protection. Repairing a device or passing it on to another user is an ecologically valuable alternative to disposal.

If your old device contains personal data, delete those data before disposing of it.





