

Millenium **Drums**

MPS-450

Assembly Instructions

E-Drum Set

Thomann GmbH
Hans-Thomann-Straße 1
96138 Burgebrach
Germany
Telephone: +49 (0) 9546 9223-0
Internet: www.thomann.de

26.04.2024, ID: 454253 (V3)

Table of contents

1	General information	5
1.1	Symbols and signal words.....	5
2	Safety instructions	6
3	Scope of delivery	7
4	Assembly	9
5	Protecting the environment	15




1 General information

This document contains important instructions for the safe operation of the product. Read and follow the safety instructions and all other instructions. Keep the document for future reference. Make sure that it is available to all those using the product. If you sell the product to another user, be sure that they also receive this document.

Our products and documentation are subject to a process of continuous development. They are therefore subject to change. Please refer to the latest version of the documentation, which is ready for download under www.thomann.de.

1.1 Symbols and signal words

In this section you will find an overview of the meaning of symbols and signal words that are used in this document.

Signal word	Meaning
DANGER!	This combination of symbol and signal word indicates an immediate dangerous situation that will result in death or serious injury if it is not avoided.
WARNING!	This combination of symbol and signal word indicates a possible dangerous situation that can result in death or serious injury if it is not avoided.
CAUTION!	This combination of symbol and signal word indicates a possible dangerous situation that can result in minor injury if it is not avoided.
NOTICE!	This combination of symbol and signal word indicates a possible dangerous situation that can result in material and environmental damage if it is not avoided.
Warning signs	Type of danger
	Warning – danger zone.

2 Safety instructions

DANGER!

Risk of injury and choking hazard for children!

Children can suffocate on packaging material and small parts. Children can injure themselves when handling the device. Never allow children to play with the packaging material and the device. Always store packaging material out of the reach of babies and small children. Always dispose of packaging material properly when it is not in use. Never allow children to use the device without supervision. Keep small parts away from children and make sure that the device does not shed any small parts (such knobs) that children could play with.

WARNING!

Possible hearing damage due to high volumes on speakers or headphones!

With speakers or headphones connected, the device can produce volume levels that may cause temporary or permanent hearing impairment. Over an extended period of time, even levels that seem to be uncritical can cause hearing damage. Do not operate the device permanently at a high volume level. Decrease the volume level immediately if you experience ringing in your ears or hearing impairment.

NOTICE!

Damage to the device if operated in unsuitable ambient conditions!

The device can be damaged if it is operated in unsuitable ambient conditions. Only operate the device indoors within the ambient conditions specified in the "Technical specifications" chapter of this user manual. Avoid operating it in environments with direct sunlight, heavy dirt and strong vibrations. Avoid operating it in environments with strong temperature fluctuations. If temperature fluctuations cannot be avoided (for example after transport in low outside temperatures), do not switch on the device immediately. Never subject the device to liquids or moisture. Never move the device to another location while it is in operation. In environments with increased dirt levels (for example due to dust, smoke, nicotine or mist): Have the device cleaned by qualified specialists at regular intervals to prevent damage due to overheating and other malfunctions.

NOTICE!

Damage to the external power supply due to high voltages!

The device is powered by an external power supply. The external power supply can be damaged if it is operated with the incorrect voltage or if high voltage peaks occur. In the worst case, excess voltages can also cause a risk of injury and fires. Make sure that the voltage specification on the external power supply matches the local power grid before plugging in the power supply. Only operate the external power supply from professionally installed mains sockets that are protected by a residual current circuit breaker (FI). As a precaution, disconnect the power supply from the power grid when storms are approaching or if the device will not be used for a longer period.

NOTICE!

Possible staining due to plasticiser in rubber feet!

The plasticiser contained in the rubber feet of this product may react with the coating of the floor and cause permanent dark stains after some time. If necessary, use a suitable mat or felt slide to prevent direct contact between the device's rubber feet and the floor.

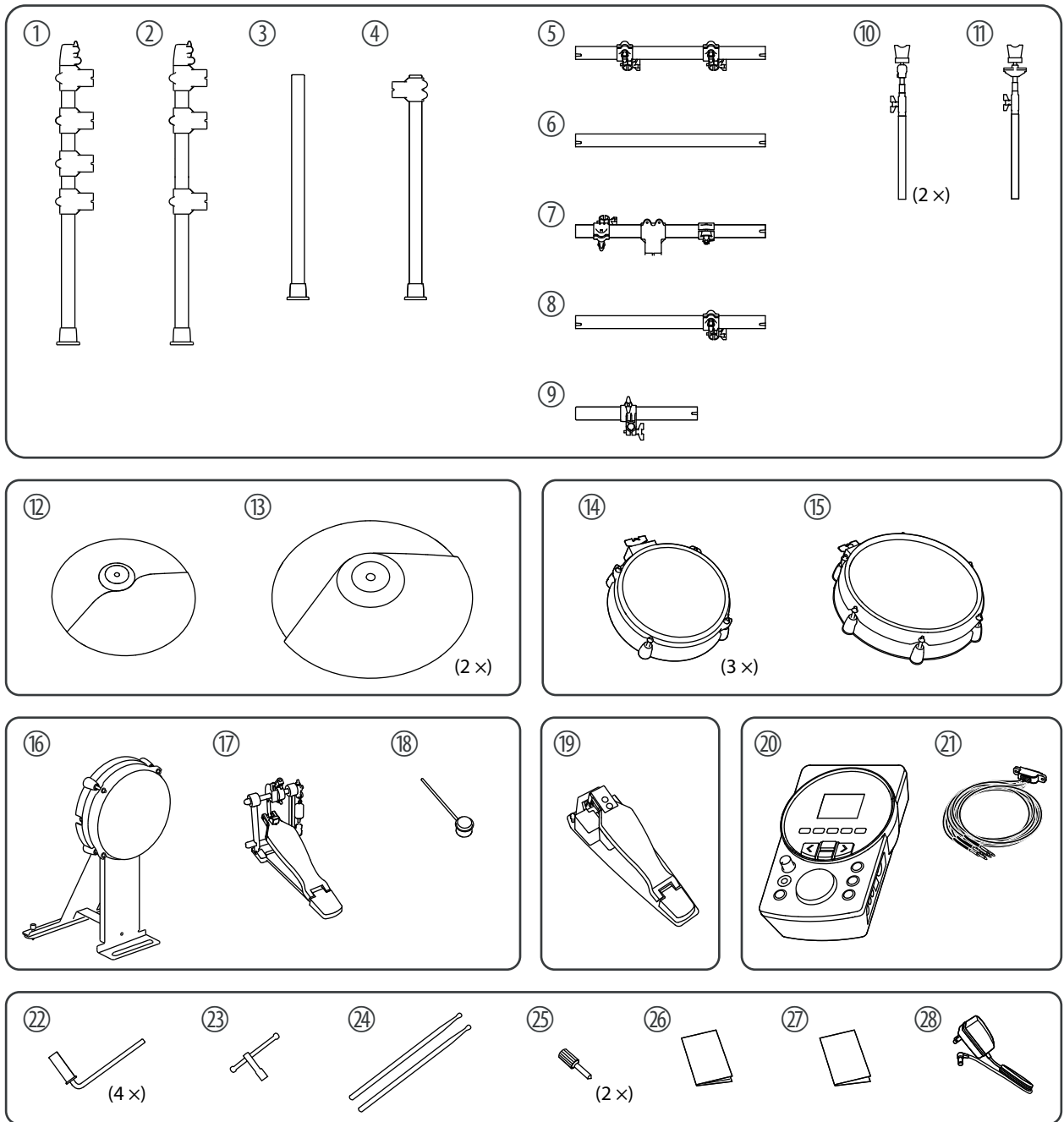
3 Scope of delivery



Before you assemble your e-drum set, use the following list and the figure to ensure the contents of the package are complete.

Item	Qty.	
1	1	Lateral support tube on the left
2	1	Lateral support tube on the right
3	1	Support tube for left crossbeam
4	1	Support tube for right crossbeam
5	1	Upper horizontal connection tube
6	1	Lower horizontal connection tube
7	1	Left crossbeam
8	1	Right crossbeam
9	1	Crossbeam for snare
10	2	Cymbal holders (crash and ride)
11	1	Hi-hat holder
12	1	Hi-hat pad (10 inch)
13	2	Crash (12 inch, with choke function), ride (12 inch, with choke function)
14	3	Tom pad 1 (8 inch, Mesh Head), Tom pad 2 (8 inch, Mesh Head), Tom pad 3 (8 inch, Mesh Head)
15	1	Snare pad (10 inch, Dual Zone, Mesh Head)
16	1	Bass drum pad (8 inch)
17	1	Bass drum pad pedal
18	1	Pedal beater
19	1	Hi-hat pedal
20	1	E-Drum Module Millenium MPS-450
21	1	Multiple cable for connecting the pads, cymbals, bass drum pedal and hi-hat pedal to the e-drum module
22	4	Mounting bracket for pads
23	1	Drum key
24	1	Set of drum sticks
25	2	Thumb screw
26	1	User manual for the e-drum module
27	1	Assembly instructions for the e-drum set
28	1	Power adapter

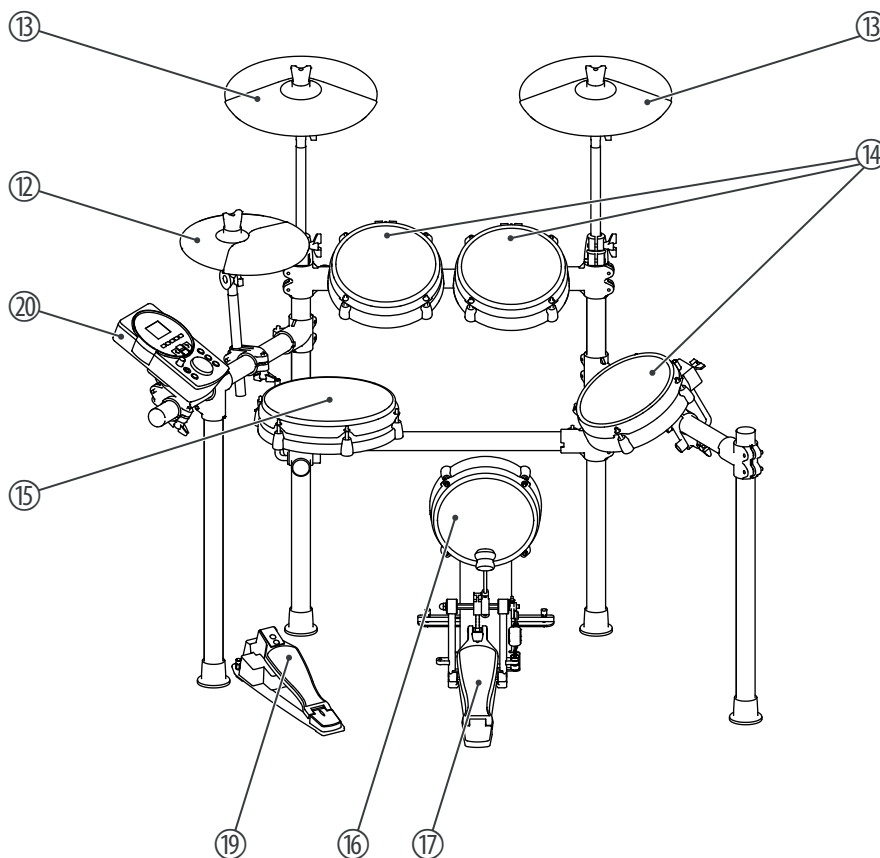
Scope of delivery



4 Assembly

Overview

Loosen the screws of the clamps before sticking the tubes together. Mount the various elements in the specified sequence. The final positions of the components are shown in the illustration below.



12	Hi-hat pad (10 inch)
13	Crash (12 inch), ride (12 inch)
14	Tom pad 1 (8 inch), tom pad 2 (8 inch), tom pad 3 (8 inch)
15	Snare pad (10 inch)
16	Bass drum pad (8 inch)
17	Bass drum pad pedal
19	Hi-hat pedal
20	E-Drum Module Millenium MPS-450

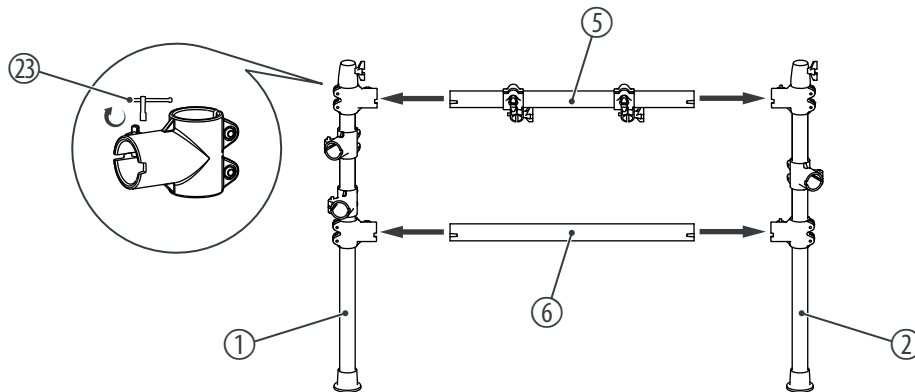
Assembling the rack

⚠ CAUTION!

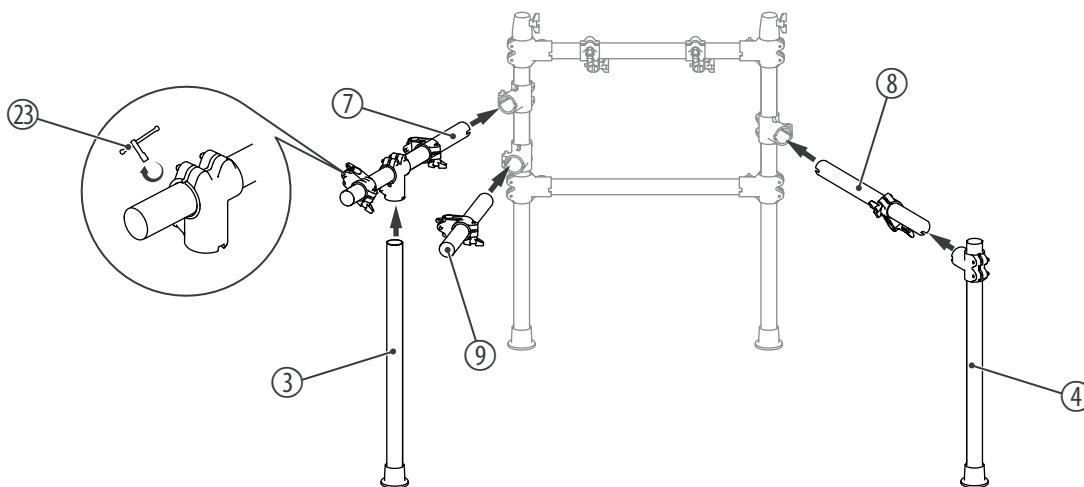
Risk of cuts to the hands from sharp edges during assembly!

Tools, screws and components can have sharp edges that can cause cuts during assembly.

Pay attention to sharp edges when assembling and screwing the individual parts. Wear protective gloves if necessary.

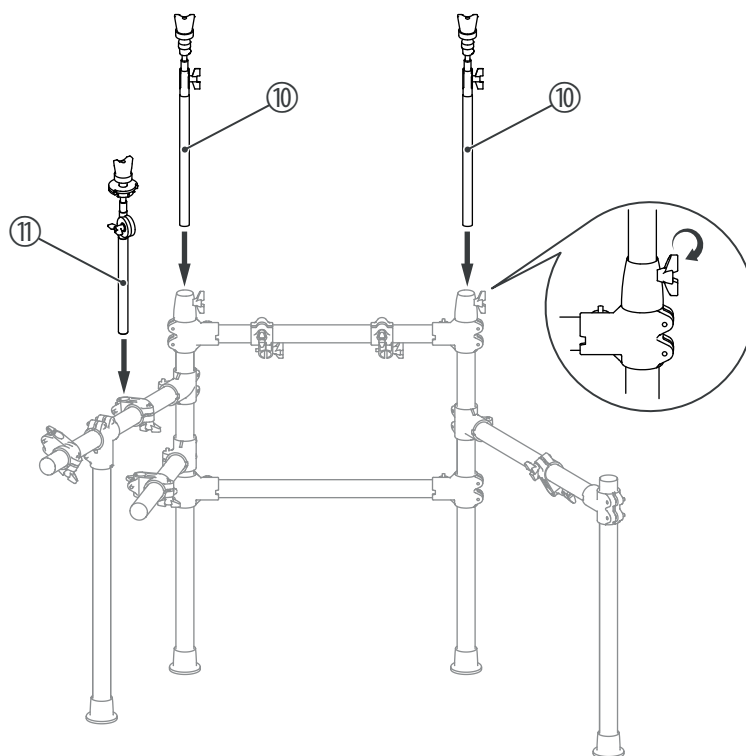


1. ➤ Attach the horizontal connection tubes (5, 6) to the lateral support tubes (1, 2).
2. ➤ Then tighten the mounting screws with the drum key (23).



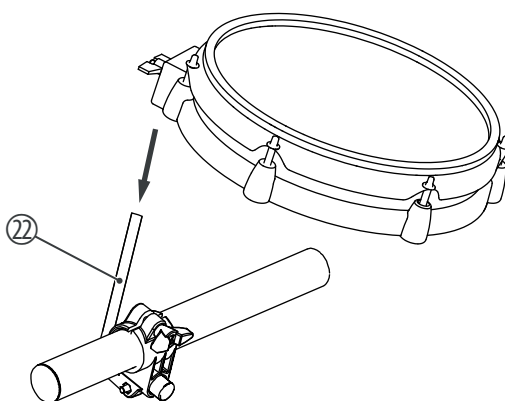
1. ➤ Attach the three side crossbeams of the rack (7, 8, 9) in the provided mounting clamps.
2. ➤ Attach the support tubes (3, 4) for the crossbeams to the provided mounting clamps. Make sure that the ends of the support tubes (3, 4) are resting on the floor.

3. ➤ Then tighten the mounting screws with the drum key (23).



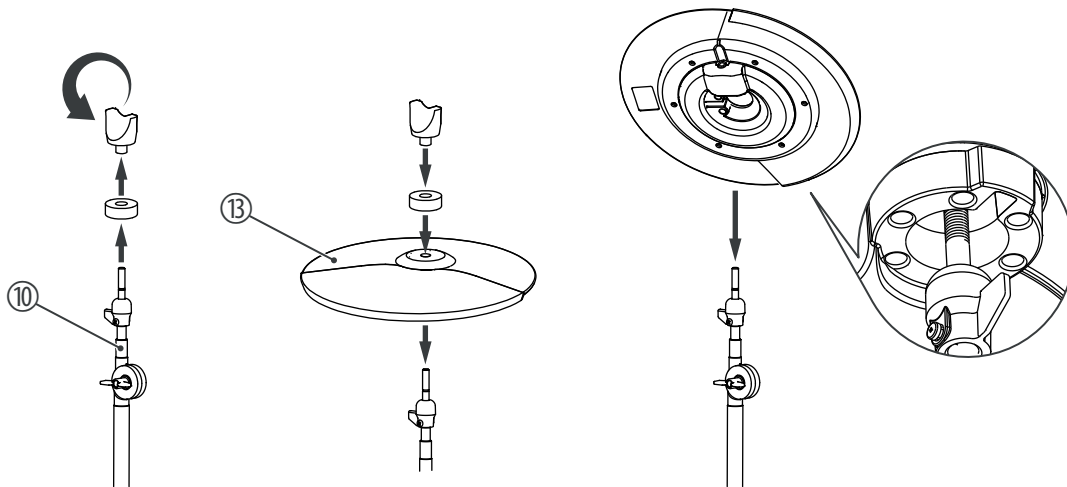
1. ➤ Insert the brackets (10, 11) for the cymbals (crash, ride) and the hi-hat into the provided mounting clamps on the rack. Use the mounting screws to attach the brackets at the required height.
2. ➤ Loosen the retaining screws on the bracket joints and turn the brackets into the desired playing positions. Then tighten the retaining screws again.

Mounting pads on the rack



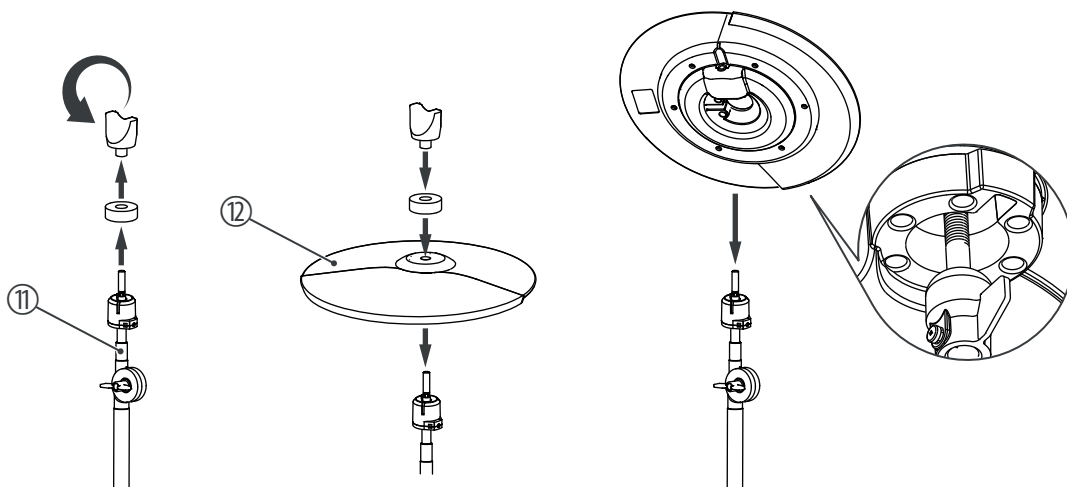
1. ➤ Slide the plastic ends of the mounting brackets (22) up to the stop into the designated clamps on the rack. Then tighten the wing nuts on the clamps by hand.
2. ➤ Attach pads (14, 15) to the mounting brackets (22) and hand-tighten the wing nuts of the pads.
3. ➤ Align the pads on the rack to meet your needs, then tighten the wing nuts of the brackets and the wing nuts of the pads evenly.

Mounting cymbals on the rack



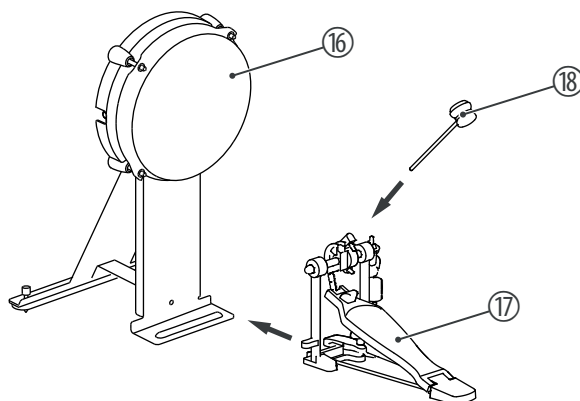
1. ➤ Unscrew the wing nuts from the cymbal holders (10) and take the felt washers off the holders.
2. ➤ Place the cymbals (13) as shown in the figure on the holders. Be sure to attach the crash pad (10 inch) to the left holder and the ride pad (12 inch) to the right cymbal holder.
3. ➤ Place the felt washers on the cymbals (13) and fix the cymbals with the associated wing nuts on the holders.

Mounting the hi-hat on the rack



1. ➤ Unscrew the wing nuts from the hi-hat holder (11) and take the felt washers off the holders.
2. ➤ Place the hi-hat (12) as shown in the figure on the holder.
3. ➤ Place the felt washers on the cymbals and fix the hi-hat (12) with the associated wing nut on the holder.

Setting up the bass drum pedal



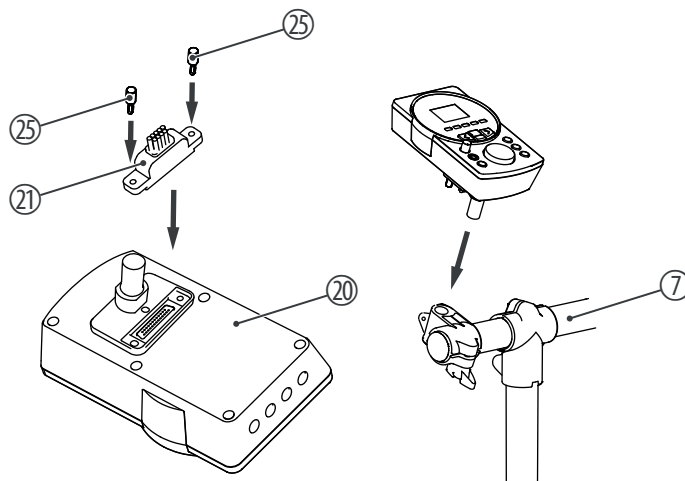
1. Engage the bolt of the bass drum pedal (17) in the designated recess on the bass drum pad (16).
2. Place the beater (18) into the hole provided on the rotary head of the pedal (16) and tighten the fastening screw with the drum key (23).

Aligning the beater

Pay attention to the correct orientation of the beater. The beater may only hit the bass drum pad with the black plastic side. When using the felt side however, the abrasion and a possible tearing of the mesh head skin is significantly accelerated.

The bass drum beater can be turned 180 degrees by loosening the locking screw.

Mounting the e-drum module on the rack



1. Insert the D-sub plug of the multi-cable (21) into the corresponding socket on the underside of the e-drum module.
2. Tighten the D-Sub plug with the hand screws (25).
3. Push the e-drum module (20) into the free bracket of the left boom (7) as far as it will go.
4. Align the e-drum module and tighten the wing nut of the bracket.

Positioning the bass drum and hi-hat pedal

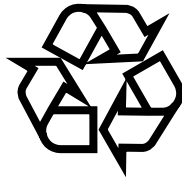
1. Place the pedal with the bass drum pad centred under the rack. Position the bass drum pedal centred in front of the pad.
2. Place the hi-hat pedal to the left of the bass drum pad.

Set-up and cabling

Set up the rack, the pads and the cymbals according to your needs. Finally, position the bass drum pedal with the bass drum pad and the hi-hat pedal in front of the rack and connect all trigger cables to the e-drum module.

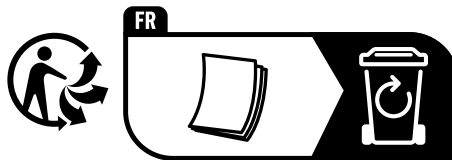
5 Protecting the environment

Disposal of the packing material



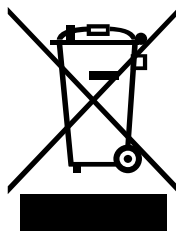
Environmentally friendly materials have been chosen for the packaging. These materials can be sent for normal recycling. Ensure that plastic bags, packaging, etc. are disposed of in the proper manner.

Do not dispose of these materials with your normal household waste, but make sure that they are collected for recycling. Please follow the instructions and markings on the packaging.



Observe the disposal note regarding documentation in France.

Disposal of your old device



This product is subject to the European Waste Electrical and Electronic Equipment Directive (WEEE) as amended.

Do not dispose of your old device with your normal household waste; instead, deliver it for controlled disposal by an approved waste disposal firm or through your local waste facility. If in doubt, consult your local waste management facility. You can also return the device to a retailer if they offer to take the device back for free or if they are legally obliged to do so. When disposing of the device, comply with the rules and regulations that apply in your country. You can also return your old device to Thomann GmbH at no charge. Check the current conditions on www.thomann.de.

Proper disposal protects the environment as well as the health of your fellow human beings. This is because the proper handling of old devices negates the potential negative effects of hazardous substances, and because it conserves resources by recycling them.

Also note that waste avoidance is a valuable contribution to environmental protection. Repairing a device or passing it on to another user is an ecologically valuable alternative to disposal.

If your old device contains personal data, delete those data before disposing of it.

