



Thon Studio Desktop 2U, 3U, 4U, 5U, 6U, 7U, 8U

Assembly Instructions

Studio Rack

Thomann GmbH
Hans-Thomann-Straße 1
96138 Burgebrach
Germany
Telephone: +49 (0) 9546 9223-0
Internet: www.thomann.de

13.02.2023, ID: 503453, 503459, 503463, 503470, 503474, ... (V2)

Table of contents

1	Safety instructions.....	5
2	Scope of delivery.....	6
3	Installation.....	7
4	Technical specifications.....	11
5	Protecting the environment.....	14



1 Safety instructions

 **DANGER!****Danger for children**

Ensure that plastic bags, packaging, etc. are properly disposed of and are not in the reach of babies and young children.
Choking hazard!

Ensure that children do not detach any small parts (e.g. knobs or the like) from the product. They could swallow the pieces and choke!

Never let children play unattended with the product.

 **CAUTION!****Risk of injury to the hands**

When assembling and screwing the individual parts, pay attention to sharp edges on tools, screws and components.

2 Scope of delivery



Before you assemble your rack, make sure the content of package is complete according to the following list.

- 2 × side panel, 19 mm melamine-coated furniture board
- 1 × floor plate, 19 mm melamine-coated furniture panel
- 1 × cover plate, 19 mm melamine-coated furniture panel
- 8 × connector housing
- 8 × connector bolts
- countersunk screws
- wood screws
- 2 × rack rails, stepless, equipped with nuts and rubber piping
- 4 × felt slides
- 1 × Allen key
- 1 × assembly instructions

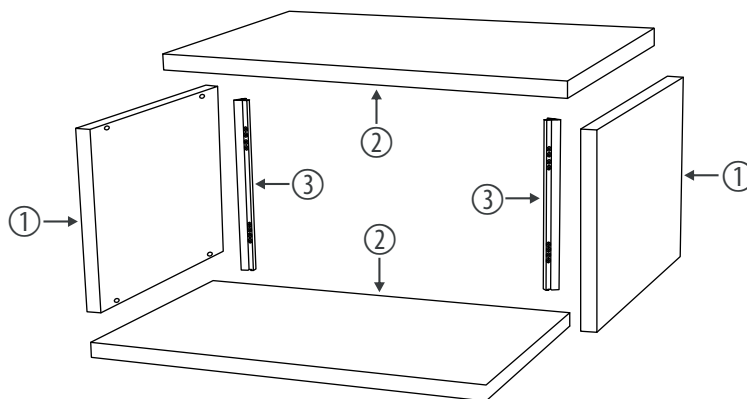
3 Installation



Place all components on a suitable mounting surface for mounting. Use a soft padding to prevent damages to the surfaces.

Overview

The following figure shows an overview of the positioning of the individual components.



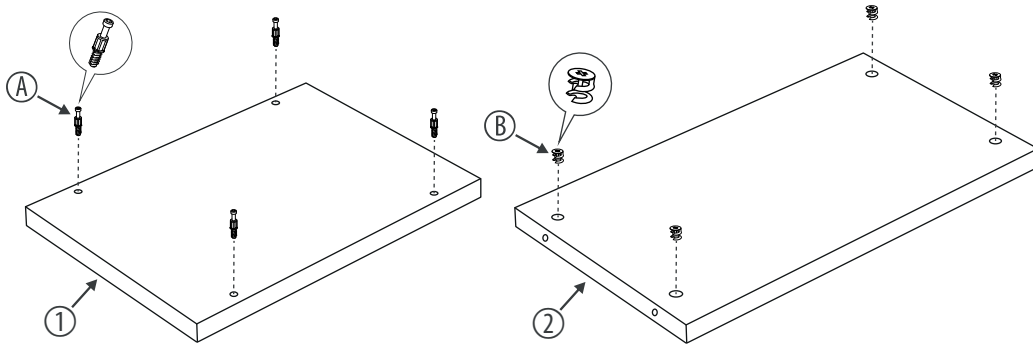
1	Side panel
2	Floor panel, cover panel
3	Rack rail

Preparing the components

Insert the connector housing and the connecting bolts into the holes provided in the floor panel (4 × connector housing), the cover panel (4 × connector housing) and in the side panels (4 × connecting bolts each).

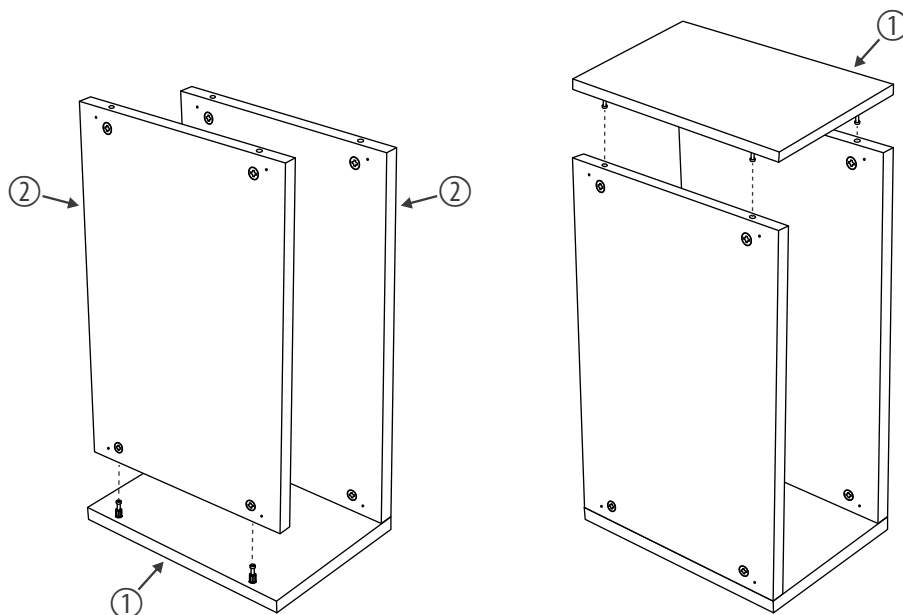


After insertion, the connecting bolts sit loosely in the drill holes and only spread apart when the connector housings on the associated component are tightened.



1	Side panel
2	Floor panel, cover panel
A	Connector bolt
B	Connector housing

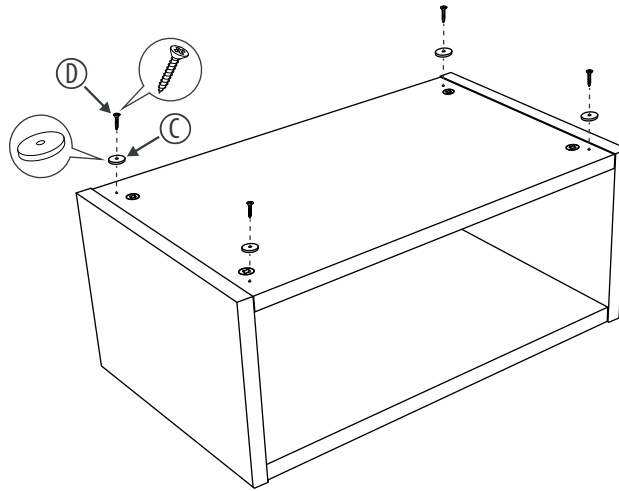
Mounting side, floor and cover panels



1	Side panel
2	Floor panel, cover panel

- 1.** ➤ Position all connector housings so that the respective connecting bolts can be completely sunk into the holes and the arrow position of the connector housings points towards the hole.
- 2.** ➤ First place the floor and cover panel on the respective connecting bolts of a side panel and tighten the connector housings of the floor and cover panel clockwise to lock the connection with the connecting bolts used.
- 3.** ➤ Place the second side panel on the pre-assembled unit consisting of the side panel, floor and cover panel. Tighten the connector housings of the floor and cover panels clockwise to lock the connection with the inserted bolts.
- 4.** ➤ Check all connections for tight fit.

Mounting the felt slides



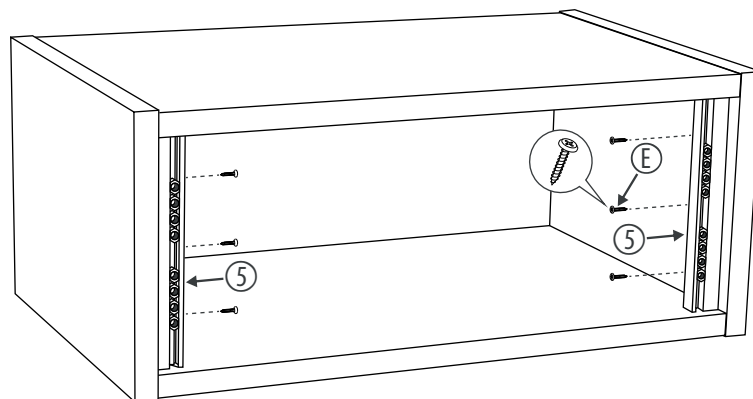
C	Felt slides
D	Countersunk screw

1. Rotate the assembled rack with the floor panel facing up.
2. Screw the four felt slides with the supplied countersunk screws in the markings provided.

Mounting rack rails

Screw the rack rails with the help of the supplied wood screws on the inside in parallel to the front edge in the rack. We recommend a distance of approx. 1 cm from the front edge.

- Installation depth: 0 ... 55 mm.



3	Rack rail
E	Wood screw

4 Technical specifications

Thon Studio Desktop 2U

Thon Studio Desktop 2U BK, graphite	Item number 503453
Thon Studio Desktop 2U BK, white	Item number 503447
Thon Studio Desktop 2U oak	Item number 509420
Thon Studio Desktop 2U maple	Item number 524323
Thon Studio Desktop 2U beech	Item number 524320
Rack units	2
Installation depth	max. 315 mm
Dimensions (W × H × D)	540 mm × 144 mm × 320 mm
Weight	Approx. 5.3 kg

Thon Studio Desktop 3U

Thon Studio Desktop 3U BK, graphite	Item number 503459
Thon Studio Desktop 3U WH, white	Item number 503456
Thon Studio Desktop 3U oak	Item number 509421
Thon Studio Desktop 3U maple	Item number 524316
Thon Studio Desktop 3U beech	Item number 524315
Rack units	3
Installation depth	max. 315 mm
Dimensions (W × H × D)	540 mm × 189 mm × 320 mm
Weight	Approx. 5.6 kg

Thon Studio Desktop 4U

Thon Studio Desktop 4U BK, graphite	Item number 503463
Thon Studio Desktop 4U WH, white	Item number 503461
Thon Studio Desktop 4U oak	Item number 509424
Thon Studio Desktop 4U maple	Item number 524322
Thon Studio Desktop 4U beech	Item number 524321
Rack units	4
Installation depth	max. 315 mm
Dimensions (W × H × D)	540 mm × 234 mm × 320 mm
Weight	Approx. 6.2 kg

Thon Studio Desktop 5U

Thon Studio Desktop 5U BK, graphite	Item number 503470
Thon Studio Desktop 5U WH, white	Item number 503469
Thon Studio Desktop 5U oak	Item number 509425
Thon Studio Desktop 5U maple	Item number 524403
Thon Studio Desktop 5U beech	Item number 524402
Rack units	5
Installation depth	max. 315 mm
Dimensions (W × H × D)	540 mm × 279 mm × 320 mm
Weight	Approx. 6.6 kg

Thon Studio Desktop 6U

Thon Studio Desktop 6U BK, graphite	Item number 503474
Thon Studio Desktop 6U WH, white	Item number 503473
Thon Studio Desktop 6U oak	Item number 509428
Thon Studio Desktop 6U maple	Item number 524404
Thon Studio Desktop 6U beech	Item number 524492
Rack units	6
Installation depth	max. 315 mm
Dimensions (W × H × D)	540 mm × 324 mm × 320 mm
Weight	Approx. 6.9 kg

Thon Studio Desktop 7U

Thon Studio Desktop 7U BK, graphite	Item number 503478
Thon Studio Desktop 7U WH, white	Item number 503477
Thon Studio Desktop 7U oak	Item number 509429
Thon Studio Desktop 7U maple	Item number 524407
Thon Studio Desktop 7U beech	Item number 524406
Rack units	7
Installation depth	max. 315 mm
Dimensions (W × H × D)	540 mm × 369 mm × 320 mm
Weight	Approx. 7.5 kg

Thon Studio Desktop 8U

Thon Studio Desktop 8U BK, graphite	Item number 503482
Thon Studio Desktop 8U WH, white	Item number 503481
Thon Studio Desktop 8U oak	Item number 509432
Thon Studio Desktop 8U maple	Item number 524412
Thon Studio Desktop 8U beech	Item number 524411
Rack units	8
Installation depth	max. 315 mm
Dimensions (W × H × D)	540 mm × 414 mm × 320 mm
Weight	Approx. 7.8 kg

5 Protecting the environment

Disposal of the packaging material



For the transport and protective packaging, environmentally friendly materials have been chosen that can be supplied to normal recycling.

Ensure that plastic bags, packaging, etc. are properly disposed of.

Do not just dispose of these materials with your normal household waste, but make sure that they are collected for recycling. Please follow the notes and markings on the packaging.

