



Thon Studio Producer Desk / FPY

Assembly Instructions

Studio Desk

Thomann GmbH
Hans-Thomann-Straße 1
96138 Burgebrach
Germany
Telephone: +49 (0) 9546 9223-0
Internet: www.thomann.de

13.02.2023, ID: 503586, 503587, 496045, 496043, ... (V2)

Table of contents

1	Safety instructions.....	5
2	Scope of delivery.....	6
3	Installation.....	7
4	Technical specifications.....	16
5	Protecting the environment.....	17



1 Safety instructions

 **DANGER!****Danger for children**

Ensure that plastic bags, packaging, etc. are properly disposed of and are not in the reach of babies and young children. Choking hazard!

Ensure that children do not detach any small parts (e.g. knobs or the like) from the product. They could swallow the pieces and choke!

Never let children play unattended with the product.

 **CAUTION!****Risk of injury due to heavy weight**

Due to the heavy weight of the studio desk, at least two persons are required for transport and assembly.

 **CAUTION!****Risk of injury to the hands**

When assembling and screwing the individual parts, pay attention to sharp edges on tools, screws and components.

2 Scope of delivery



Before you assemble the studio desk, make sure the contents of package is complete according to the following list.

- 2 × side panel
- 1 × tabletop
- 1 × pull-out board
- 2 × pull-out rails
- 1 × monitor bridge
- 3 × monitor bridge plank
- 1 × stabilizing panel
- 1 × rear wall for cable channel
- 1 × bottom panel for cable channel
- 4 × rack rails, 3 RU, stepless, equipped with nuts and rubber piping
- 8 × woodscrew for rack rails
- 8 × Euro screw 6.3 × 16 for pull-out rails
- 40 × wooden dowel
- 40 × connector housing
- 40 × connector bolts
- 4 × base (only for item no. 496043, 496045)
- 4 × cable feed-through (only for item no. 503586, 503587)
- 1 × assembly instruction

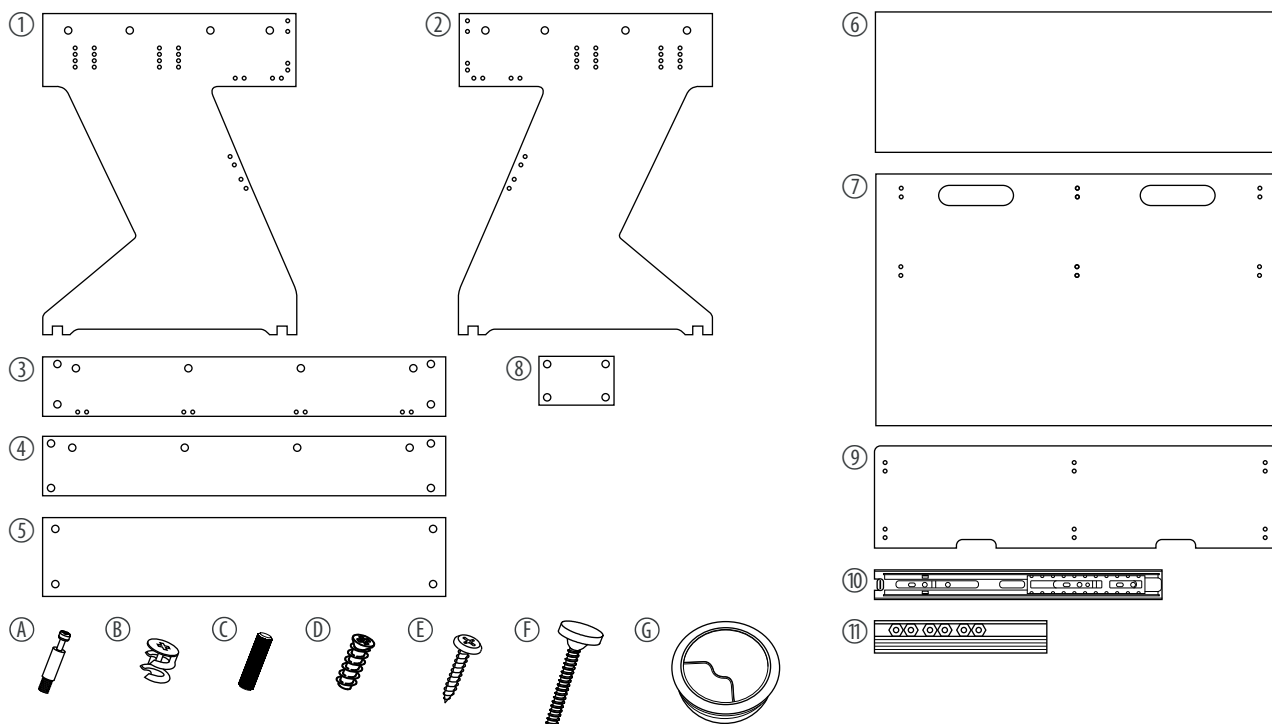
3 Installation



Place all components on a suitable mounting surface for mounting. Use a soft padding to prevent damages to the surfaces.

Overview

The following figure shows an overview of the individual components.



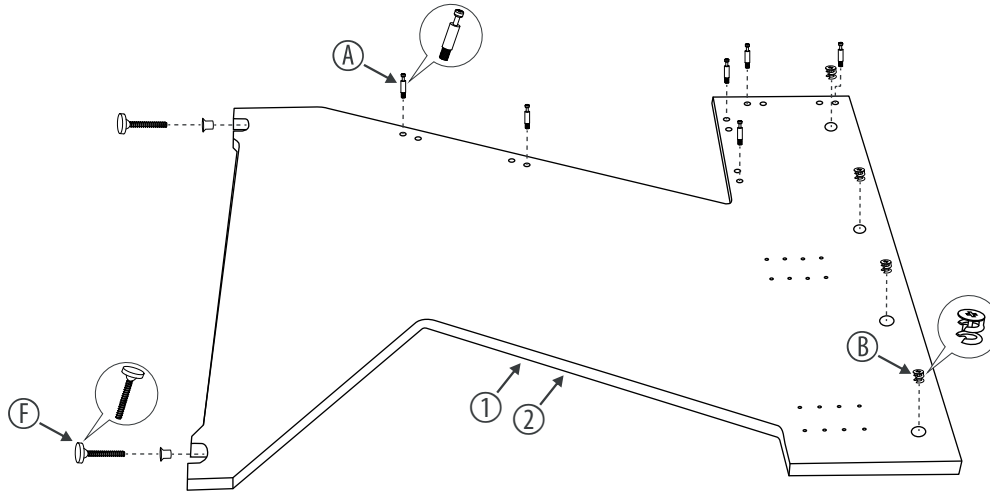
1	Left side panel	10	Pull-out rails
2	Right side panel	11	Rack rail
3	Rear wall for cable channel	A	Connector bolt
4	Bottom panel for cable channel	B	Connector housing
5	Stabilizing panel	C	Wooden dowel
6	Pull-out board	D	Euro screw 6.3 × 16
7	Table top	E	Woodscrew for rack rails
8	Monitor bridge plank	F	Base (only for item no. 496043, 496045)
9	Monitor bridge	G	Cable feet-through (only for item no. 503586, 503587)

Preparing the components

Insert the connecting bolts and connector housings into the holes provided in the side panels (6 × connecting bolt, 4 × connector housing).

Position all connector housings so that the respective connecting bolts can be completely sunk into the holes and the arrow position of the connector housings points towards the hole.

Place two feet with sleeves into each of the holes provided in the side panels (only for item no. 496043, 496045)

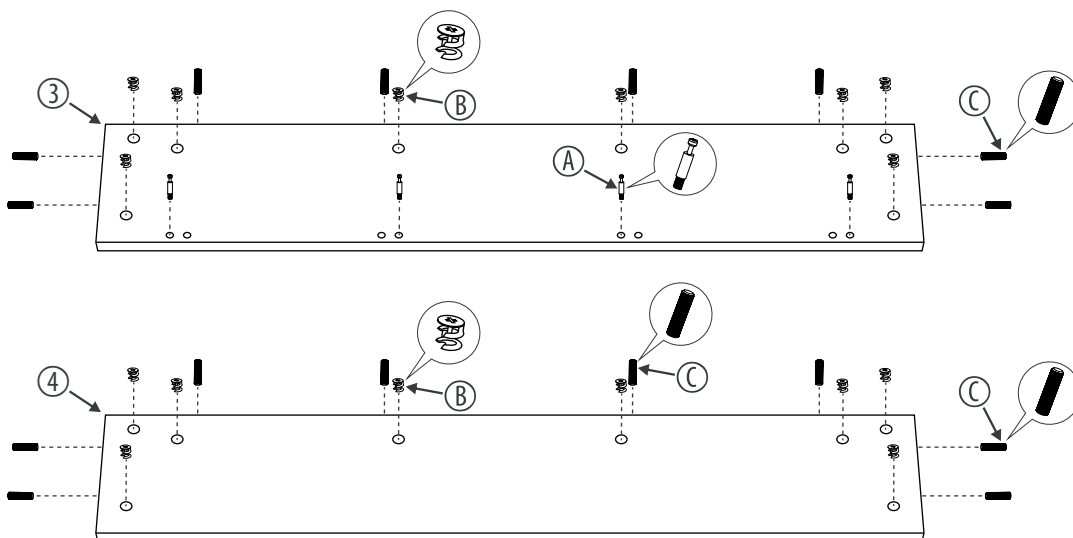


1	Left side panel	B	Connector housing
2	Right side panel	F	Foot
A	Connector bolt		

Place the connecting bolts, the connector housings and the wooden dowels into the holes provided in the rear wall for the cable channel (4 × connecting bolts, 8 × connector housing , 8 × wooden dowel).

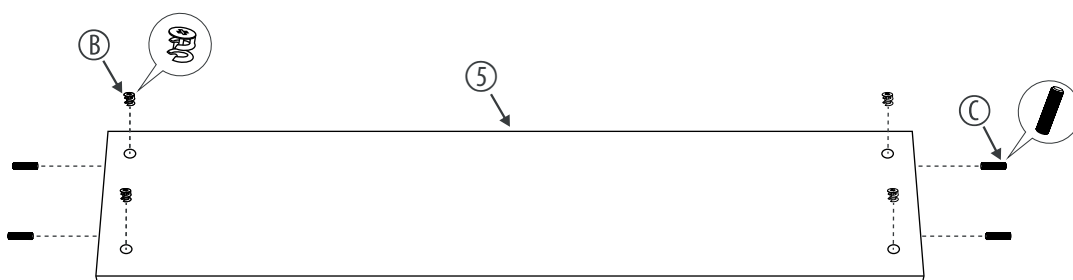
Place the connector housings, the connecting bolts and the wooden dowels into the holes provided in the bottom panel for the cable channel (8 × connector housing, 8 × wooden dowel).

Position all connector housings so that the respective connecting bolts can be completely sunk into the holes and the arrow position of the connector housings points towards the hole.



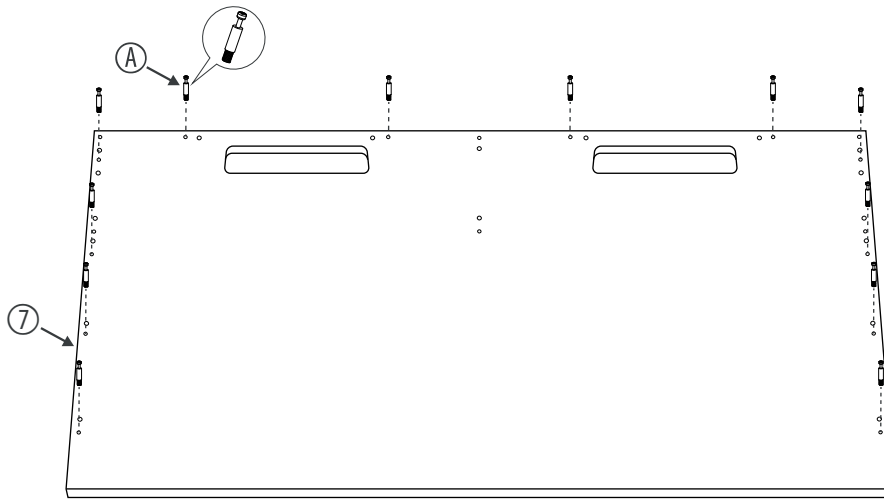
3	Rear wall for cable channel	B	Connector housing
4	Bottom panel for cable channel	C	Wooden dowel
A	Connector bolt		

Place the connector housings and the wooden dowels into the holes provided in the stabilizing panel (4 × connector housing, 4 × wooden dowel).



5	Stabilizing panel	C	Wooden dowel
B	Connector housing		

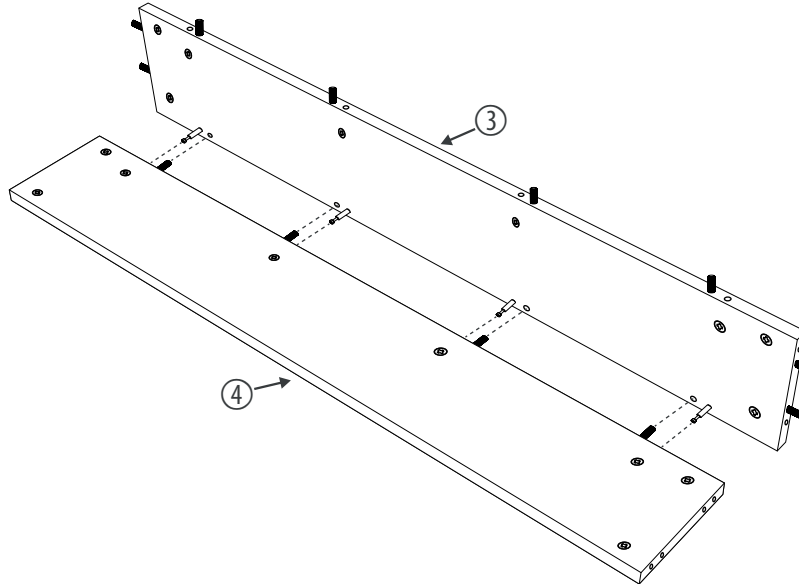
Insert the twelve connecting bolts into the holes provided in the bottom side of the tabletop.



7	Table top	A	Connector bolt
---	-----------	---	----------------

Assembling the components

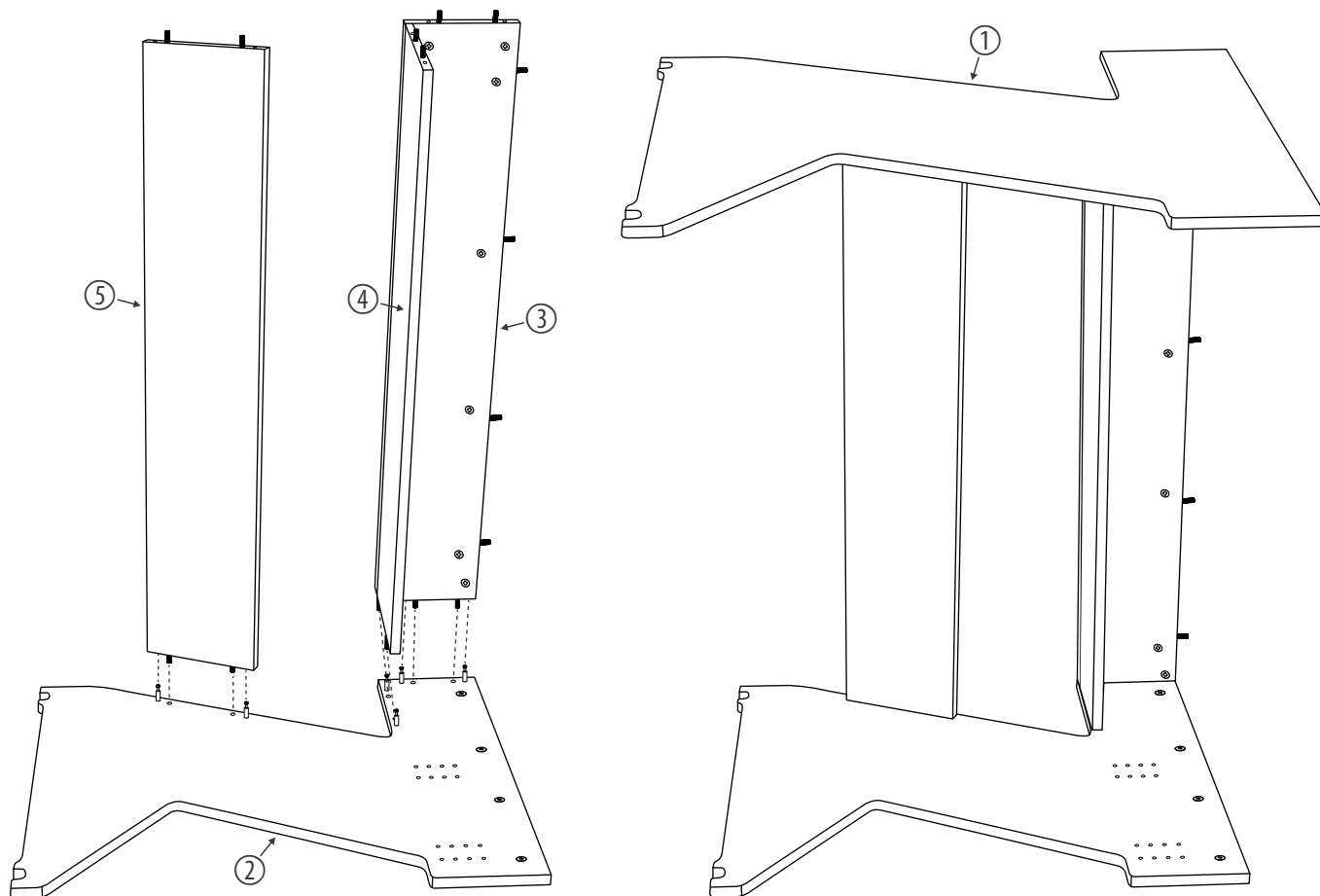
Assemble the rear wall and the bottom panel for the cable channel and tighten the connector housings clockwise to lock the connection with the inserted connecting bolts.



3	Rear wall for cable channel	4	Bottom panel for cable channel
---	-----------------------------	---	--------------------------------

Place the assembled cable channel and the stabilizing panel onto the connecting bolts of the right side panel and tighten the connector housings clockwise to lock the connection with the inserted connecting bolts.

Place the left side panel onto the cable channel and the stabilizing panel and tighten the connector housings clockwise to lock the connection with the inserted connecting bolts.



1	Left side panel	4	Bottom panel for cable channel
2	Right side panel	5	Stabilizing panel
3	Rear wall for cable channel		

Installation

Place the assembled frame horizontally onto the side panels.

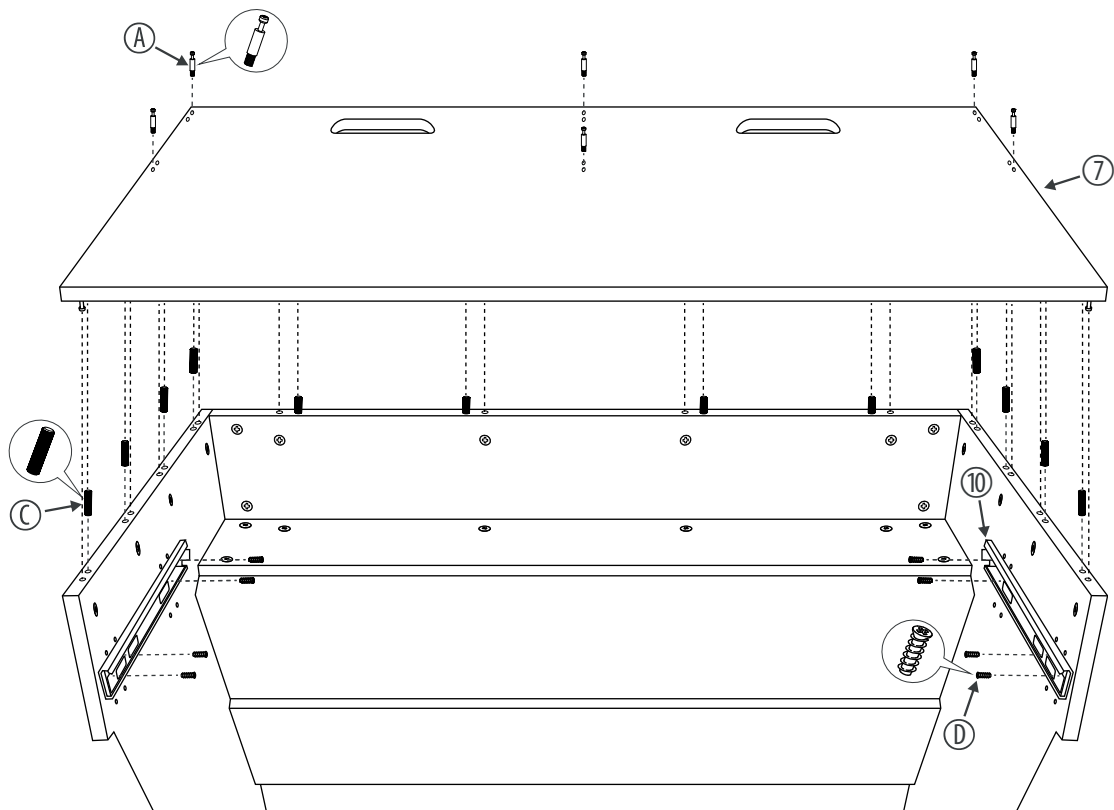
Screw the pull-out rails to the side panels horizontally at the required height using four Euro screws each.

Insert eight wooden dowels into the holes provided in the side panels and place the table top onto the preassembled unit. Tighten the connector housings clockwise to lock the connection with the inserted connecting bolts.

Insert six connecting bolts into the holes provided in the top side of the tabletop.




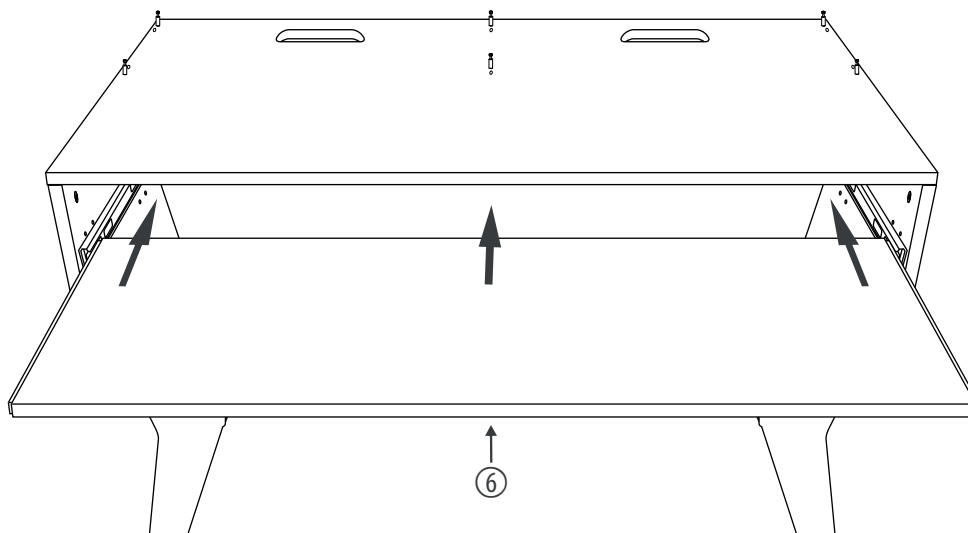
Make sure that the stop bars are attached to the rear towards the rear wall when screwing the pull-out rails.



7	Table top	C	Wooden dowel
10	Pull-out rails	D	Euro screw 6.3 × 16
A	Connector bolt		

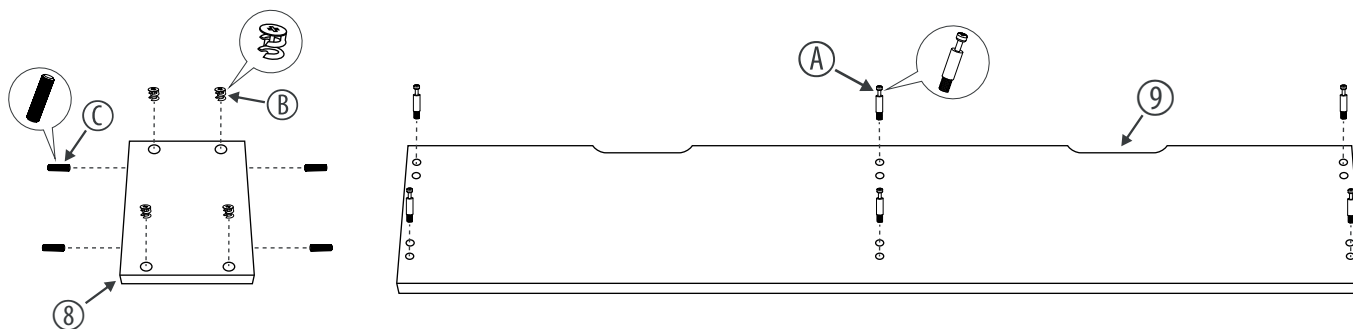
Move the pull-out board into the pull-out rails from the front.

 *Make sure that the stop bars of the pull-out board are attached towards the front.*



6 Pull-out board

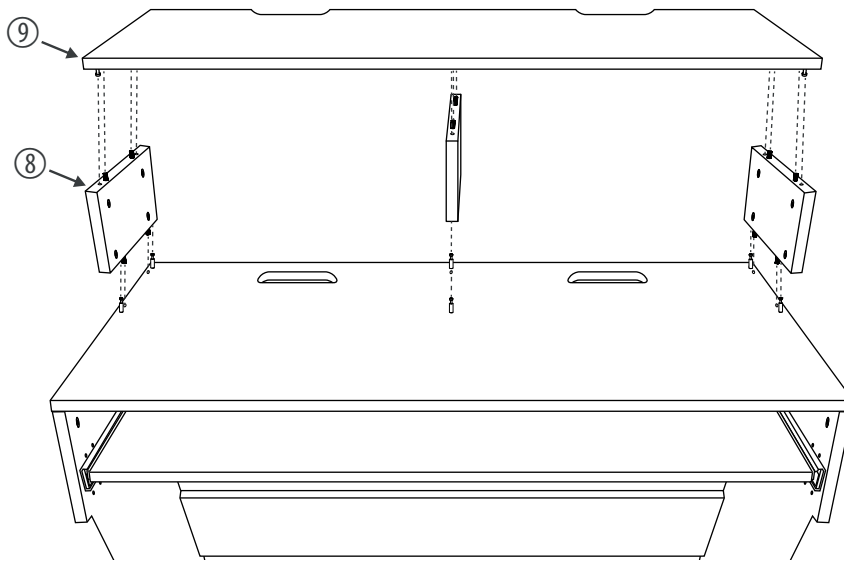
Place the connector housings and the wooden dowels into the holes provided in the planks (each 4 × connector housing, 4 × wooden dowel) and six connecting bolts into the holes provided in the monitor bridge.



8	Plank	B	Connector housing
9	Monitor bridge	C	Wooden dowel
A	Connector bolt		

Installation

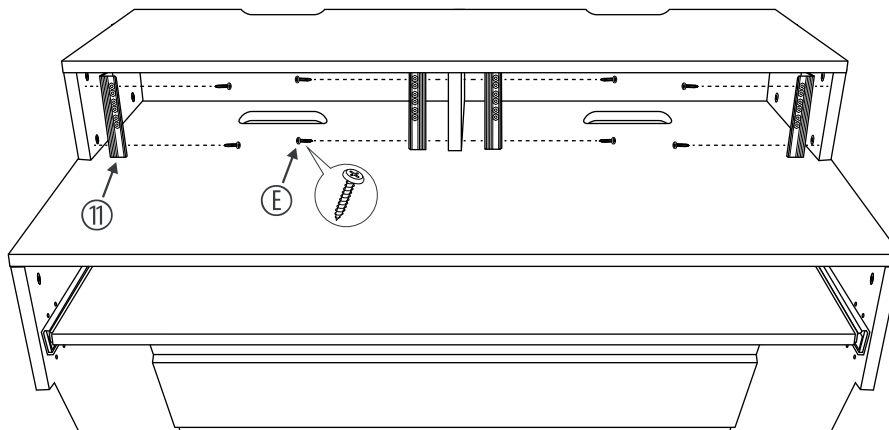
Place the planks onto the connecting bolts of the tabletop. Set the monitor bridge onto the planks. Tighten the connector housings clockwise to lock the connection with the inserted connecting bolts.



8 Plank

9 Monitor bridge

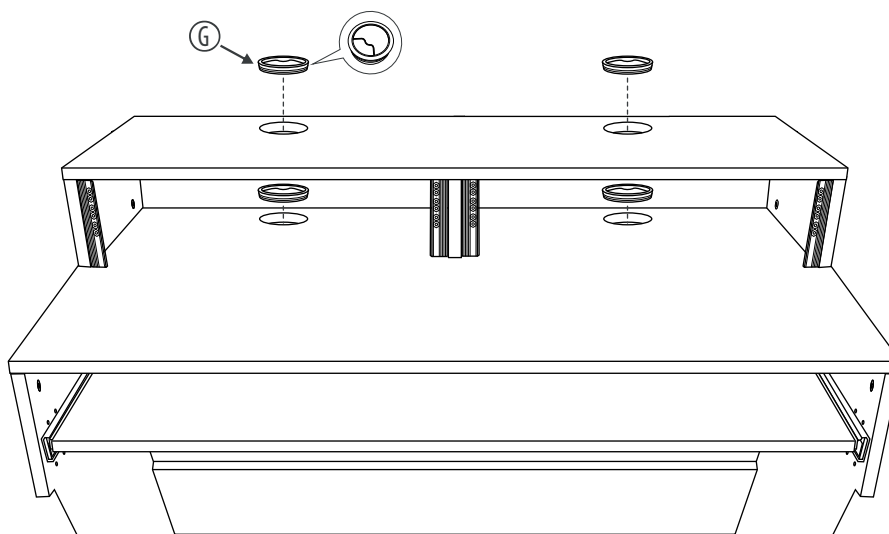
Screw the rack rails with the woodscrews on the inside parallel to the front edge of the planks. We recommend a distance of approx. 1 cm from the front edge.



11 Rack rail

E Wood screw

Place the cable channels in the recesses in the tabletop and the monitor bridge (only with item no. 503586, 503587).



G

Cable feed-through

4 Technical specifications

Thon Studio Producer Desk FPY

Thon Studio Producer Desk FPY WH, white	Item number 503586
Thon Studio Producer Desk FPY BK, graphite	Item number 503587
Working height tabletop	756 mm
Height monitor bridge	160 mm
Compartment width	19 inch
Material	19 mm FPY chipboard
Dimensions (W × H × D)	1060 mm × 934 mm × 660 mm
Weight	approx. 36.3 kg

Thon Studio Producer Desk

Thon Studio Producer Desk white	Item number 496045
Thon Studio Producer Desk black	Item number 496043
Working height tabletop	756 mm
Height monitor bridge	160 mm
Compartment width	19 inch
Material	18 mm birch multiplex
Dimensions (W × H × D)	1060 mm × 934 mm × 660 mm
Weight	approx. 22.3 kg

5 Protecting the environment

Disposal of the packaging material



For the transport and protective packaging, environmentally friendly materials have been chosen that can be supplied to normal recycling.

Ensure that plastic bags, packaging, etc. are properly disposed of.

Do not just dispose of these materials with your normal household waste, but make sure that they are collected for recycling. Please follow the notes and markings on the packaging.

