

Assembly Instructions



TM-X

Desktop Stand

Thomann GmbH

Hans-Thomann-Straße 1

96138 Burgebrach

Germany

Telephone: +49 (0) 9546 9223-0

Internet: www.thomann.de

31.10.2022, ID: 540250, 540252, 540254, 540257, ...

Table of contents

1	Safety instructions.....	4
2	Overview.....	6
3	Installation.....	8
4	Technical specifications.....	20
5	Protecting the environment.....	30

1 Safety instructions

Intended use

This product is intended for stable fixing and adjustable installation of monitors, tablets, speakers or similar. Use the product only as described in this user manual. Any other use or use under other operating conditions is considered to be improper and may result in personal injury or property damage. No liability will be assumed for damages resulting from improper use.

This device may be used only by persons with sufficient physical, sensorial, and intellectual abilities and having corresponding knowledge and experience. Other persons may use this device only if they are supervised or instructed by a person who is responsible for their safety.

Safety



DANGER!

Danger for children

Ensure that plastic bags, packaging, etc. are properly disposed of and are not in the reach of babies and young children. Choking hazard! Ensure that children do not detach any small parts (e.g. knobs or the like) from the product. They could swallow the pieces and choke! Never let children play unattended with the product.



CAUTION!

Danger of tipping when transported under load

If the stand is moved without having removed the installed device, the stand may tip over and cause injuries and property damage. Remove the installed device before transporting the stand.

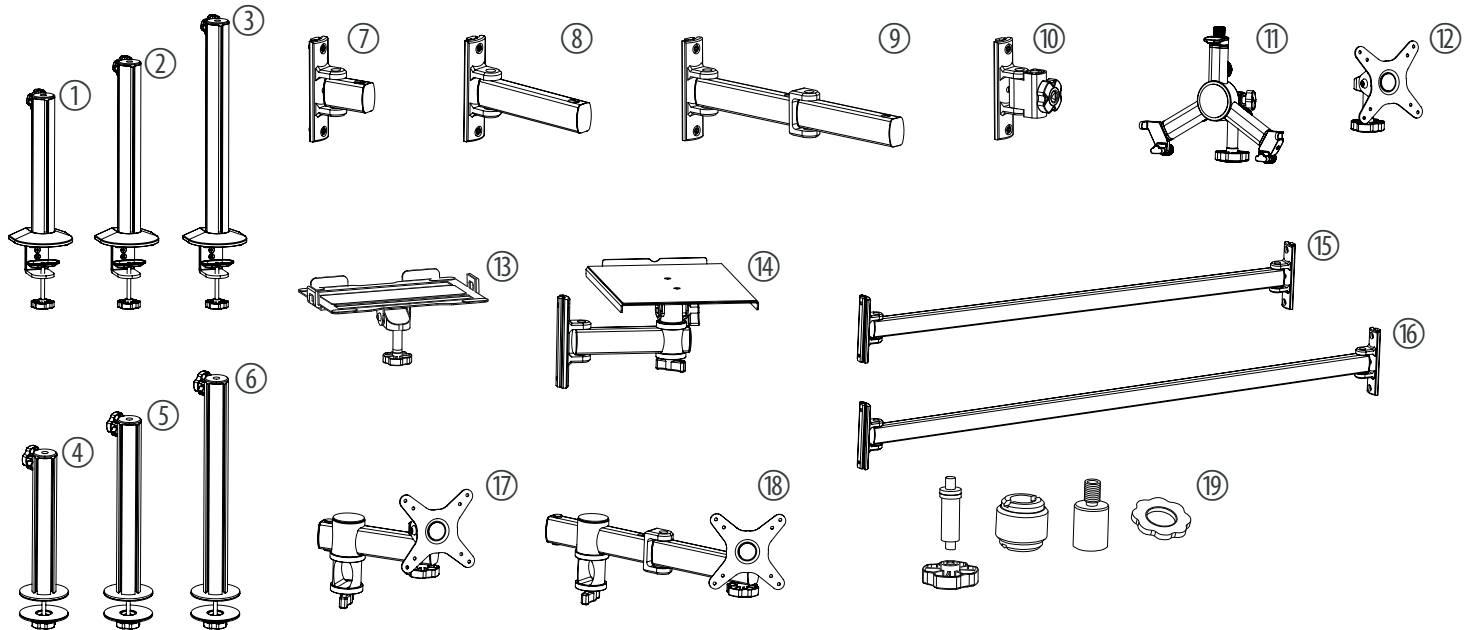


Danger of tipping due to overload

In case of overload, the stand may tip over and cause injuries and property damage. Never exceed the maximum load capacity specified for the stand.

2 Overview

For the TM-X stand system the following items are available:



No.	Item name	No.	Item name
1	Roadworx TM-X Pole 300 Clamp (item no. 540259)	11	Roadworx TM-X Tablet Holder (item no. 540268)
2	Roadworx TM-X Pole 470 Clamp (item no. 540264)	12	Roadworx TM-X VESA Mount (item no. 540267)
3	Roadworx TM-X Pole 660 Clamp (item no. 540262)	13	Roadworx TM-X Laptop Holder (item no. 540269)
4	Roadworx TM-X Pole 300 Fixed (item no. 540261)	14	Roadworx TM-X Studio Monitor Holder (item no. 540270)
5	Roadworx TM-X Pole 470 Fixed (item no. 540265)	15	Roadworx TM-X Bar 970 (item no. 542186)
6	Roadworx TM-X Pole 660 Fixed (item no. 540263)	16	Roadworx TM-X Bar 1200 (item no. 542188)
7	Roadworx TM-X Arm 65 (item no. 540250)	17	Roadworx TM-X VESA Mount 180 for Bar (item no. 542190)
8	Roadworx TM-X Arm 180 (item no. 540252)	18	Roadworx TM-X VESA Mount 385 for Bar (item no. 542189)
9	Roadworx TM-X Arm 385 (item no. 540254)	19	Roadworx TM-X Thread Option (item no. 540257)
10	Roadworx TM-X Stand Mount (item no. 540271)		

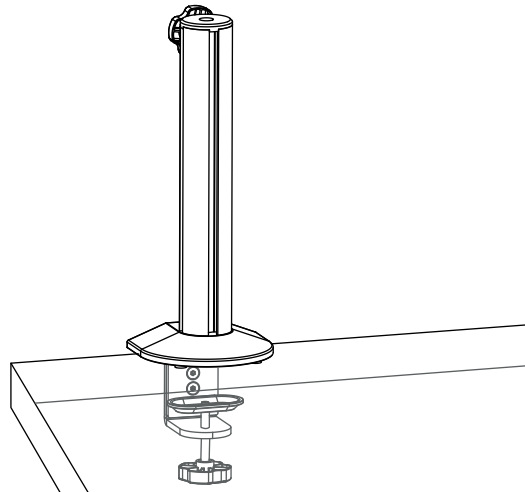
3 Installation



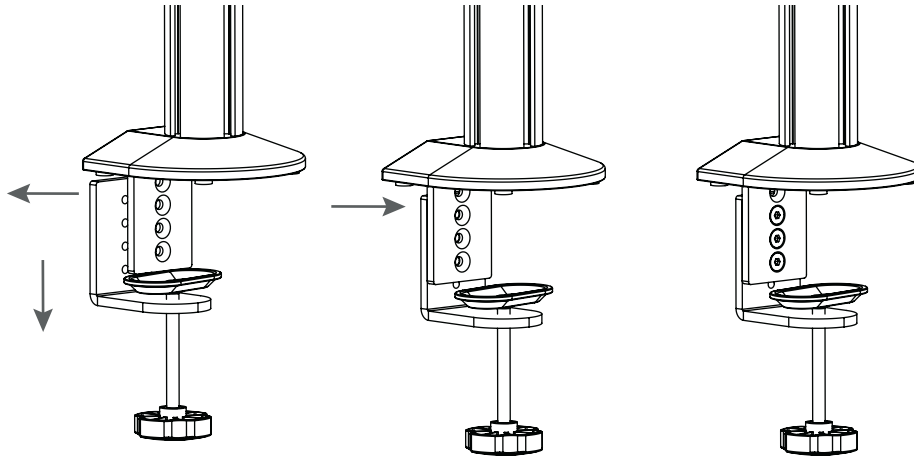
- *Place all components on a suitable mounting surface for mounting. Use a soft padding to prevent damages to the surfaces.*
- *The illustrations are for illustrative purposes and may differ from the actual product.*

TM-X Pole Clamp (item no. 540259, 540264, 540262)

Loosen the locking screw of the clamp and place the clamp on the desk edge. Tighten the locking screw of the clamp.

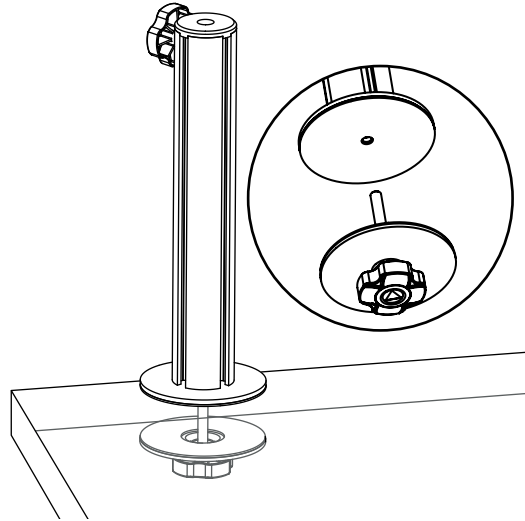


For adjusting the desktop stand height, loosen the Allen screws using an Allen key. Adjust the desired height and tighten the Allen screws using an Allen key.



TM-X Pole Fixed (item no. 540261, 540265, 540263)

Loosen the locking screw and place the stand in the recess of the desktop. Tighten the locking screw.

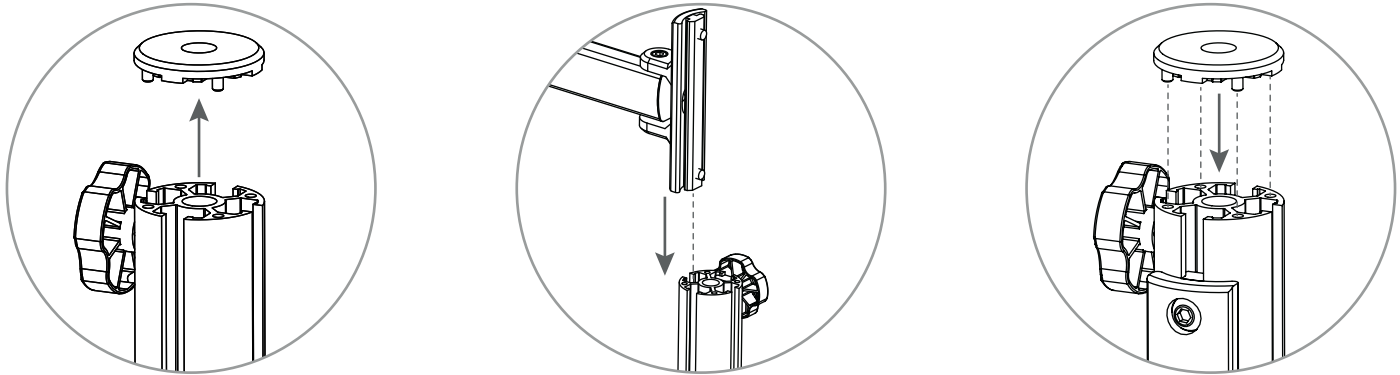


TM-X Arm (item no. 540250, 540252, 540254), TM-X Stand Mount (item no. 540271)

Open the cover of the desktop stand TM-X Pole Clamp (item no. 540259, 540264, 540262) or TM-X Pole Fixed (item no. 540261, 540265, 540263).

Slide the arm or the holder from the top in the recess of the desktop stand. Adjust the desired arm height and tighten the Allen screws using an Allen key.

Replace the cover on the desktop stand. Pay attention to the correct location of the positioning pins of the cover.



TM-X Tablet Holder (item no. 540268)

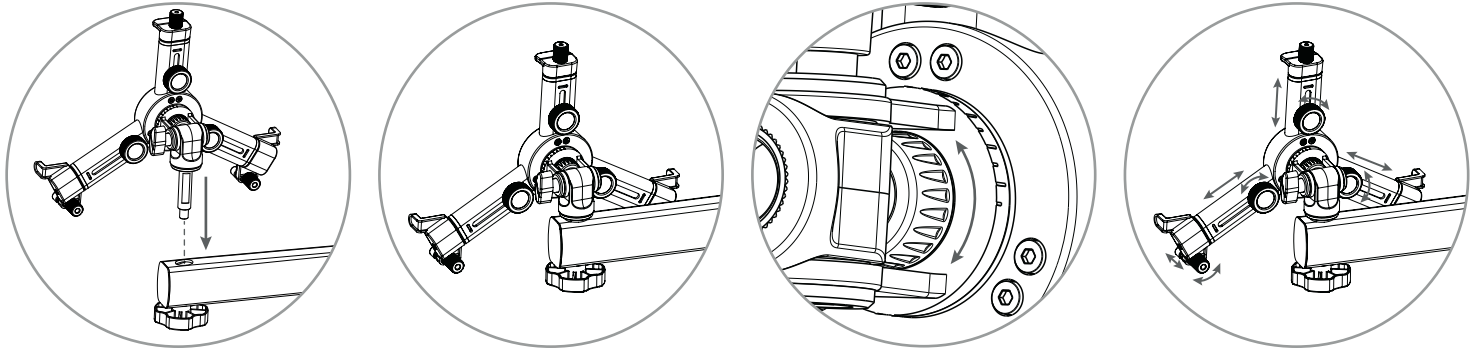
Loosen the locking screw and place the tablet holder in the recess of the TM-X Arm (item no. 540250, 540252, 540254). Tighten the locking screw.

Loosen the locking screw of the mounting hole and adjust the tilt of the tablet holder up to 90°. Tighten the locking screw.

Loosen the locking screws of the supporting arms, pull out the supporting arms completely and place the tablet in the corner supports of the lower supporting arms.

Adjust the corner supports to the thickness of the tablet. Make sure that the tablet sits firmly in the corner supports. Tighten the locking screws of the corner supports.

Reinsert the supporting arms and fix the tablet. Tighten the locking screws of the supporting arms.

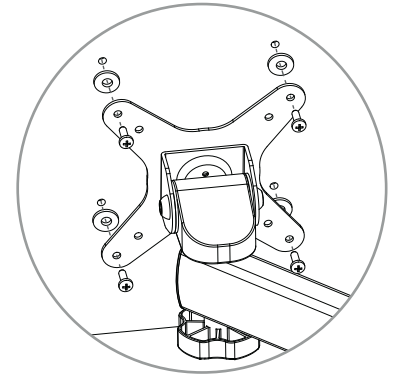
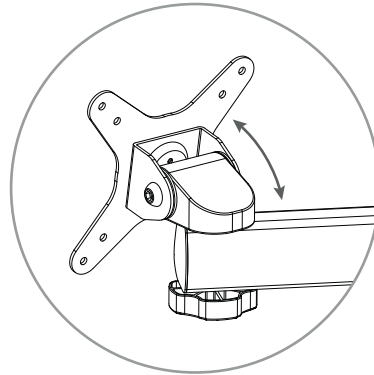
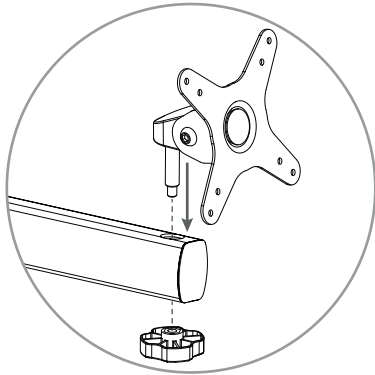


TM-X VESA Mount (item no. 540267)

Loosen the locking screw and place the monitor holder in the recess of the TM-X Arm (item no. 540250, 540252, 540254). Tighten the locking screw.

For adjusting the monitor holder tilt, loosen the Allen screws using an Allen key. Adjust the desired tilt and tighten the Allen screws using an Allen key.

Mount the monitor with four screws and washers to the monitor holder.

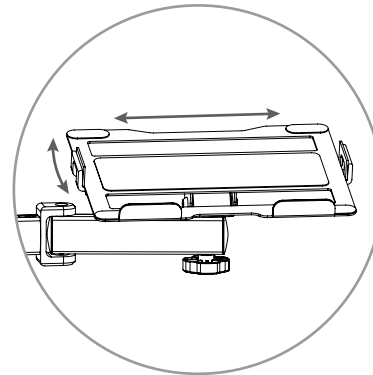
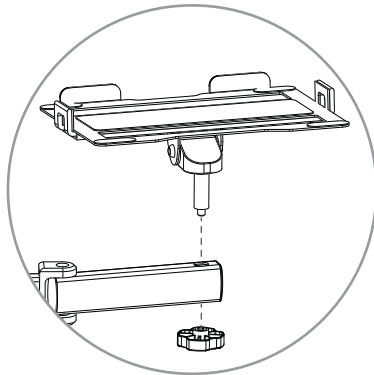


TM-X Laptop Holder (item no. 540269)

Loosen the locking screw and place the laptop holder in the recess of the TM-X Arm (item no. 540250, 540252, 540254). Tighten the locking screw.

For adjusting the laptop holder tilt, loosen the Allen screws using an Allen key. Adjust the desired tilt and tighten the Allen screws using an Allen key.

For adjusting the clamping range of the laptop holder, pull out the lateral clamping jaws at the sides of the the laptop holder. Make sure that the laptop sits firmly between the clamping jaws.

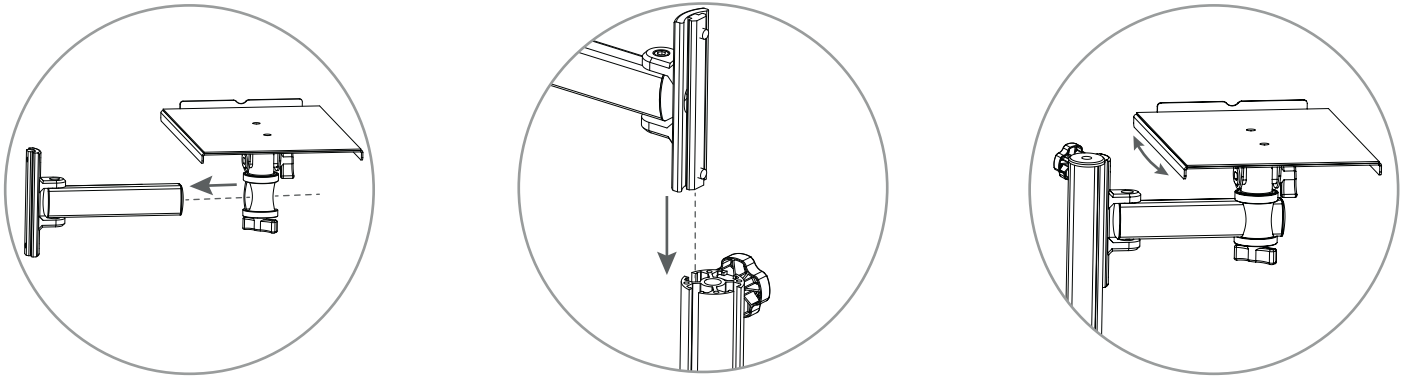


TM-X Studio Monitor Holder (item no. 540270)

Loosen the locking screw of the speaker holder and slide him on the arm. Tighten the locking screw.

Slide the arm with the speaker holder from above in the recess of the desktop stand TM-X Pole Clamp (item no. 540259, 540264, 540262) or TM-X Pole Fixed (item no. 540261, 540265, 540263). Adjust the desired height of the arm and tighten the Allen screws using an Allen key.

For adjusting the speaker holder tilt, loosen the Allen screws using an Allen key. Adjust the desired tilt and tighten the Allen screws using an Allen key.



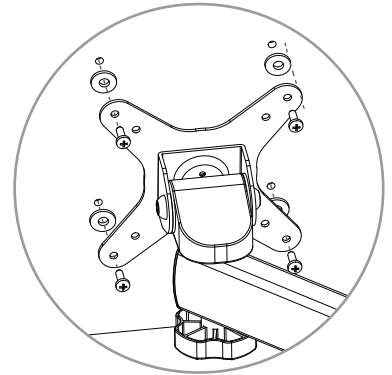
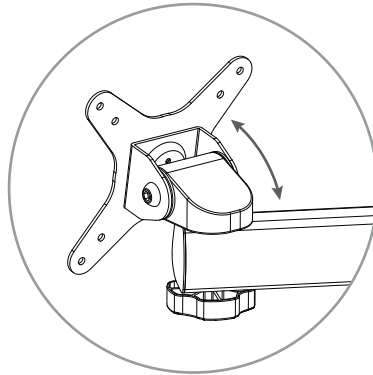
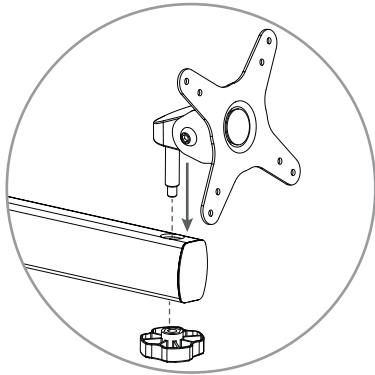
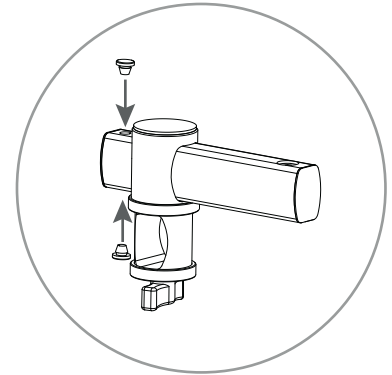
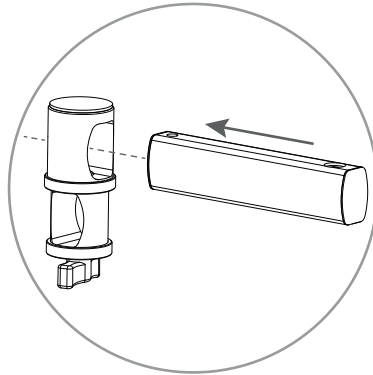
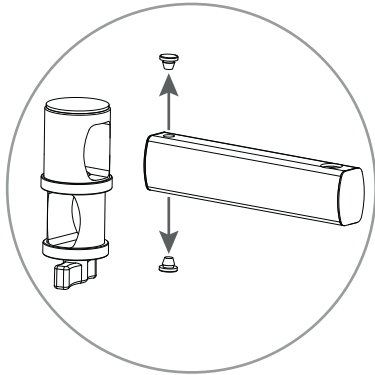
TM-X VESA Mount for Bar (item no. 542189, 542190)

Remove the rubber plugs and slide the arm in the holder. Place the rubber plugs in the recesses of the arm.

Loosen the locking screw of the monitor holder and place the monitor holder in the recess of the arm. Tighten the locking screw.

For adjusting the monitor holder tilt, loosen the Allen screws using an Allen key. Adjust the desired tilt and tighten the Allen screws using an Allen key.

Mount the monitor with four screws and washers to the monitor holder.

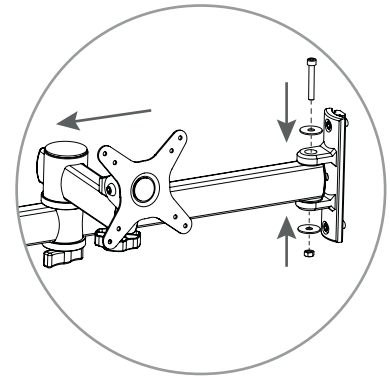
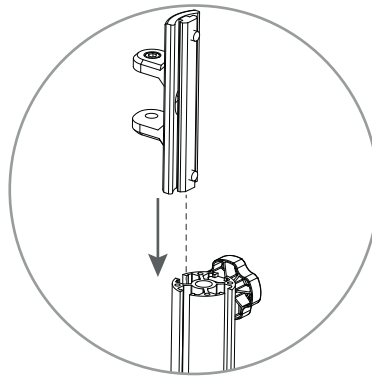
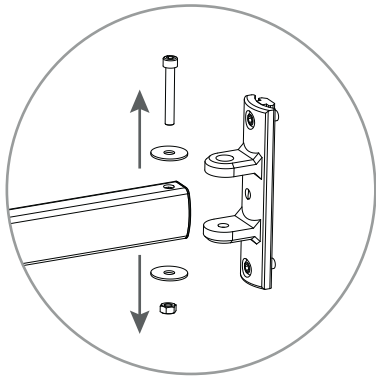


TM-X Bar (item no. 542186, 542188)

Loosen the Allen screw using an Allen key. Remove the Allen screw, the washer and the hex nut, and remove the bar from the holder. Place the holder in the recess of the desktop stand TM-X Pole Clamp (item no. 540259, 540264, 540262) or TM-X Pole Fixed (item no. 540261, 540265, 540263)

Slide the TM-X VESA Mount for Bar (item no. 542189, 542190) on the bar and tighten the locking screw.

Place the ready-equipped bar in the holder, insert the Allen screw, the washer and the hex nut, and tighten the Allen screws of the bar using an Allen key.



4 Technical specifications

Roadworx TM-X Pole Clamp

Item name	Roadworx TM-X Pole 300 Clamp	Roadworx TM-X Pole 470 Clamp	Roadworx TM-X Pole 660 Clamp
Item no.	540259	540264	540262
Desktop thickness	up to 76 mm		
Length	300 mm	470 mm	660 mm
Weight	1.84 kg	2.16 kg	2.5 kg
Max. load capacity	50 kg	50 kg	50 kg
Material	Aluminium		
Compatible with	Roadworx TM-X Arm 65 (item no. 540250)		
	Roadworx TM-X Arm 180 (item no. 540252)		
	Roadworx TM-X Arm 385 (item no. 540254)		
	Roadworx TM-X Stand Mount (item no. 540271)		
	Roadworx TM-X Bar 970 (item no. 542186)		
	Roadworx TM-X Bar 1200 (item no. 542188)		

Roadworx Microphone Arm (item no. 501399)

Millenium DS200 (item no. 437359, 437361)

Roadworx TM-X Pole Fixed

Item name	Roadworx TM-X Pole 300 Fixed	Roadworx TM-X Pole 470 Fixed	Roadworx TM-X Pole 660 Fixed
Item no.	540261	540265	540263
Desktop thickness	up to 76 mm		
Length	300 mm	470 mm	660 mm
Weight	1.08 kg	1.37 kg	1.72 kg
Max. load capacity	50 kg	50 kg	50 kg
Material	Aluminium		
Compatible with	Roadworx TM-X Arm 65 (item no. 540250)		
	Roadworx TM-X Arm 180 (item no. 540252)		
	Roadworx TM-X Arm 385 (item no. 540254)		
	Roadworx TM-X Stand Mount (item no. 540271)		
	Roadworx TM-X Bar 970 (item no. 542186)		

	Roadworx TM-X Bar 1200 (item no. 542188)
	Roadworx Microphone Arm (item no. 501399)
	Millenium DS200 (item no. 437359, 437361)

Roadworx TM-X Arm

Item name	Roadworx TM-X Arm 65	Roadworx TM-X Arm 180	Roadworx TM-X Arm 385
Item no.	540250	540252	540254
Desktop thickness	up to 76 mm		
Length	65 mm	180 mm	385 mm
Weight	0.3 kg	0.38 kg	0.65 kg
Max. load capacity	15 kg	12 kg	10 kg
Material	Aluminium		
Compatible with	Roadworx TM-X Pole 300 Clamp (item no. 540259)		
	Roadworx TM-X Pole 470 Clamp (item no. 540264)		
	Roadworx TM-X Pole 660 Clamp (item no. 540262)		
	Roadworx TM-X Pole 300 Fixed (item no. 540261)		

	Roadworx TM-X Pole 470 Fixed (item no. 540265)
	Roadworx TM-X Pole 660 Fixed (item no. 540263)
	Roadworx TM-X Tablet Holder (item no. 540268)
	Roadworx TM-X VESA Mount (item no. 540267)
	Roadworx TM-X Laptop Holder (item no. 540269)

Roadworx TM-X Stand Mount

Item no.	540271
Weight	0.33 kg
Max. load capacity	5 kg
Material	Aluminium
Compatible with	Roadworx TM-X Pole 300 Clamp (item no. 540259)
	Roadworx TM-X Pole 470 Clamp (item no. 540264)
	Roadworx TM-X Pole 660 Clamp (item no. 540262)
	Roadworx TM-X Pole 300 Fixed (item no. 540261)
	Roadworx TM-X Pole 470 Fixed (item no. 540265)

	Roadworx TM-X Pole 660 Fixed (item no. 540263)
--	--

	Roadworx Microphone Arm (item no. 501399)
--	---

	Millenium DS200 (item no. 437359, 437361)
--	---

Roadworx TM-X Tablet Holder

Item no.	540268
Dimensions (W × H × D)	240 mm - 310 mm × 165 mm - 225 mm × 4,7 mm - 8 mm
Weight	0.52 kg
Max. load capacity	5 kg
Material	Aluminium
Compatible with	Roadworx TM-X Arm 65 (item no. 540250)
	Roadworx TM-X Arm 180 (item no. 540252)
	Roadworx TM-X Arm 385 (item no. 540254)

Roadworx TM-X VESA Mount

Item no.	540267
Mounting holes	75 mm × 75 mm 100 mm × 100 mm
Weight	0.56 kg
Max. load capacity	10 kg
Material	Aluminium
Compatible with	Roadworx TM-X Arm 65 (item no. 540250)
	Roadworx TM-X Arm 180 (item no. 540252)
	Roadworx TM-X Arm 385 (item no. 540254)

Roadworx TM-X Laptop Holder

Item no.	540269
Platform dimensions	285 mm × 222 mm
Clamping range	285 mm - 345 mm
Weight	1.45 kg
Max. load capacity	8 kg

Technical specifications

Material	Aluminium
Compatible with	Roadworx TM-X Arm 65 (item no. 540250)
	Roadworx TM-X Arm 180 (item no. 540252)
	Roadworx TM-X Arm 385 (item no. 540254)

Roadworx TM-X Studio Monitor Holder

Item no.	540270
Platform dimensions	224 mm × 303 mm, 360° rotatable
Weight	1.67 kg (without arm)
	2.05 kg (with arm)
Max. load capacity	10 kg
Material	Aluminium
Compatible with	Roadworx TM-X Pole 300 Clamp (item no. 540259)
	Roadworx TM-X Pole 470 Clamp (item no. 540264)
	Roadworx TM-X Pole 660 Clamp (item no. 540262)
	Roadworx TM-X Pole 300 Fixed (item no. 540261)

Roadworx TM-X Pole 470 Fixed (item no. 540265)

Roadworx TM-X Pole 660 Fixed (item no. 540263)

Roadworx TM-X Bar

Item name	Roadworx TM-X Bar 970	Roadworx TM-X Bar 1200
Item no.	542186	542188
Length	970 mm	1200 mm
Weight	1.14 kg	1.3 kg
Max. load capacity	50 kg	50 kg
Material	Aluminium	
Compatible with	Roadworx TM-X Pole 300 Clamp (item no. 540259)	
	Roadworx TM-X Pole 470 Clamp (item no. 540264)	
	Roadworx TM-X Pole 660 Clamp (item no. 540262)	
	Roadworx TM-X Pole 300 Fixed (item no. 540261)	
	Roadworx TM-X Pole 470 Fixed (item no. 540265)	
	Roadworx TM-X Pole 660 Fixed (item no. 540263)	

Roadworx TM-X VESA Mount 180 for Bar (item no. 542190)

Roadworx TM-X VESA Mount 385 for Bar (item no. 542189)

Roadworx TM-X VESA Mount for Bar

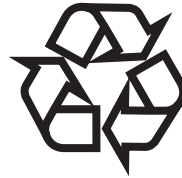
Item name	Roadworx TM-X VESA Mount 180 for Bar	Roadworx TM-X VESA Mount 385 for Bar
Item no.	542190	542189
Mounting holes	75 mm × 75 mm 100 mm × 100 mm	75 mm × 75 mm 100 mm × 100 mm
Length	180 mm	385 mm
Weight	0.9 kg	1.3 kg
Max. load capacity	10 kg	10 kg
Material	Aluminium	
Compatible with	Roadworx TM-X Bar 970 (item no. 542186)	
	Roadworx TM-X Bar 1200 (item no. 542188)	

Roadworx TM-X Thread Option

Item no.	540257
Thread	3/8", 5/8", 1/4"
Weight	0.12 kg
Material	Aluminium
Compatible with	Roadworx TM-X Arm 65 (item no. 540250)
	Roadworx TM-X Arm 180 (item no. 540252)
	Roadworx TM-X Arm 385 (item no. 540254)

5 Protecting the environment

Disposal of the packaging material



For the transport and protective packaging, environmentally friendly materials have been chosen that can be supplied to normal recycling.

Ensure that plastic bags, packaging, etc. are properly disposed of.

Do not just dispose of these materials with your normal household waste, but make sure that they are collected for recycling. Please follow the notes and markings on the packaging.

