

Millenium **Drums**

Rookie

Assembly Instructions

E-Drum Set

Thomann GmbH
Hans-Thomann-Straße 1
96138 Burgebrach
Germany
Telephone: +49 (0) 9546 9223-0
Internet: www.thomann.de

03.03.2023, ID: 549098

Table of contents

1	Safety instructions.....	5
2	Scope of delivery.....	6
3	Assembly.....	7
4	Protecting the environment.....	13




1 Safety instructions

 **DANGER!****Danger for children**

Ensure that plastic bags, packaging, etc. are disposed of properly and are not within reach of babies and young children.
Choking hazard!

Ensure that children do not detach any small parts (e.g. knobs or the like) from the unit. They could swallow the pieces and choke!

Never let children unattended use electrical devices.

 **NOTICE!****Possible staining**

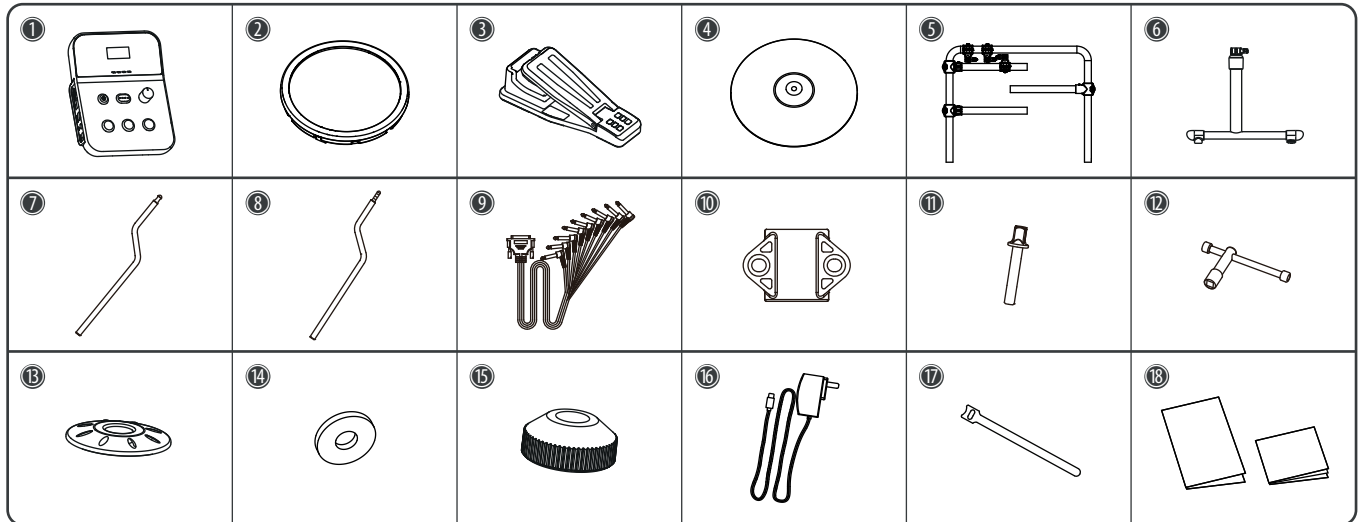
The plasticiser contained in the rubber feet of this product may possibly react with the coating of your surface and after some time cause permanent dark stains.

In case of doubt, do not put the rubber feet directly on the surface and use a suitable underlay if necessary, i.e. felt pads or similar.

2 Scope of delivery



Before you assemble the drum set, make sure the contents of package is complete according to the following list and figure.

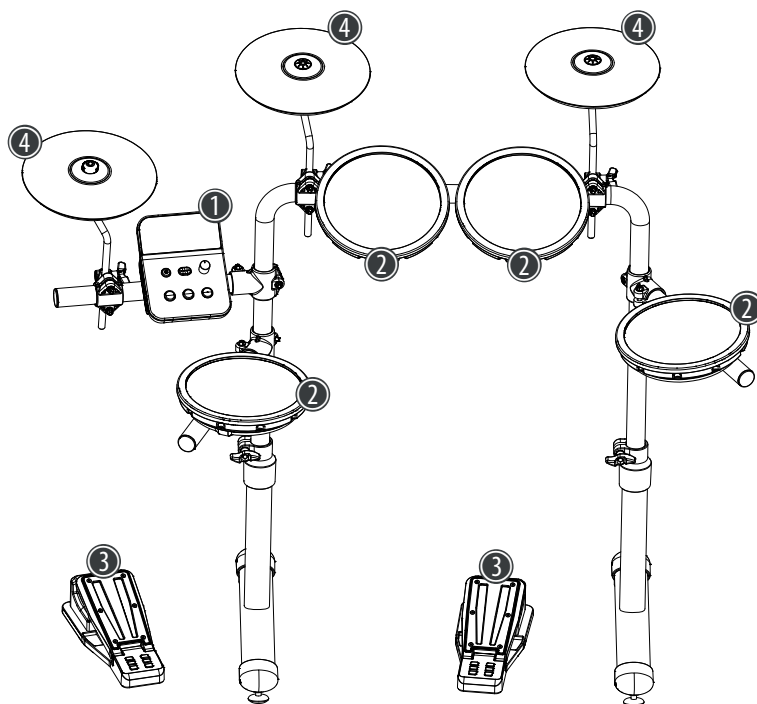


Item	Qty.	
1	1	Drum module Millenium Rookie
2	4	Tom pad 1, Tom pad 2, Tom pad 3, Snare pad (7" each, Mesh Head)
3	2	Hi-hat pedal, Bass Drum pedal
4	3	Cymbal (Crash, Ride), Hi-hat pad (8" each)
5	1	Rack
6	2	Rack foot
7	2	Cymbal holder (Crash and Ride)
8	1	Hi-hat holder
9	1	Multiple cable for connecting the pads, cymbals and pedals to the drum module
10	5	Mounting clamp for the pads and the drum module
11	10	Fixing screw for the mounting clamp
12	1	Drum key
13	2	Mounting washer for Crash and Ride
14	2	Felt washer
15	1	Hi-hat nut
16	1	Power adapter
17	5	Cable tie
18	2	Assembly instructions, user manual

3 Assembly

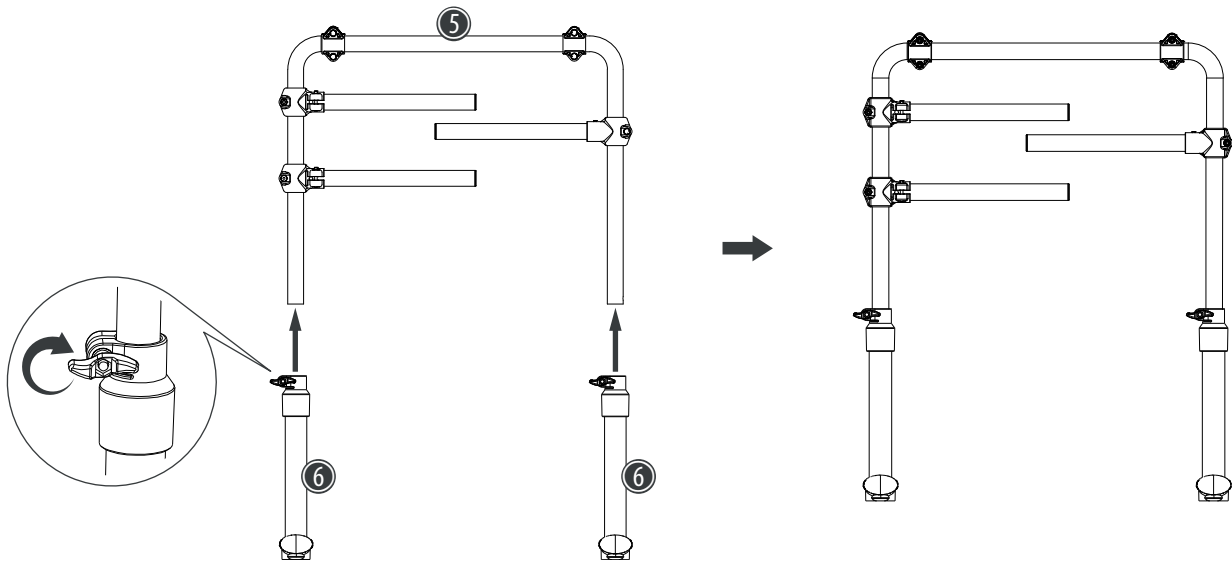
Overview

Mount the various elements in the specified sequence. The final positions of the components are shown in the illustration below.

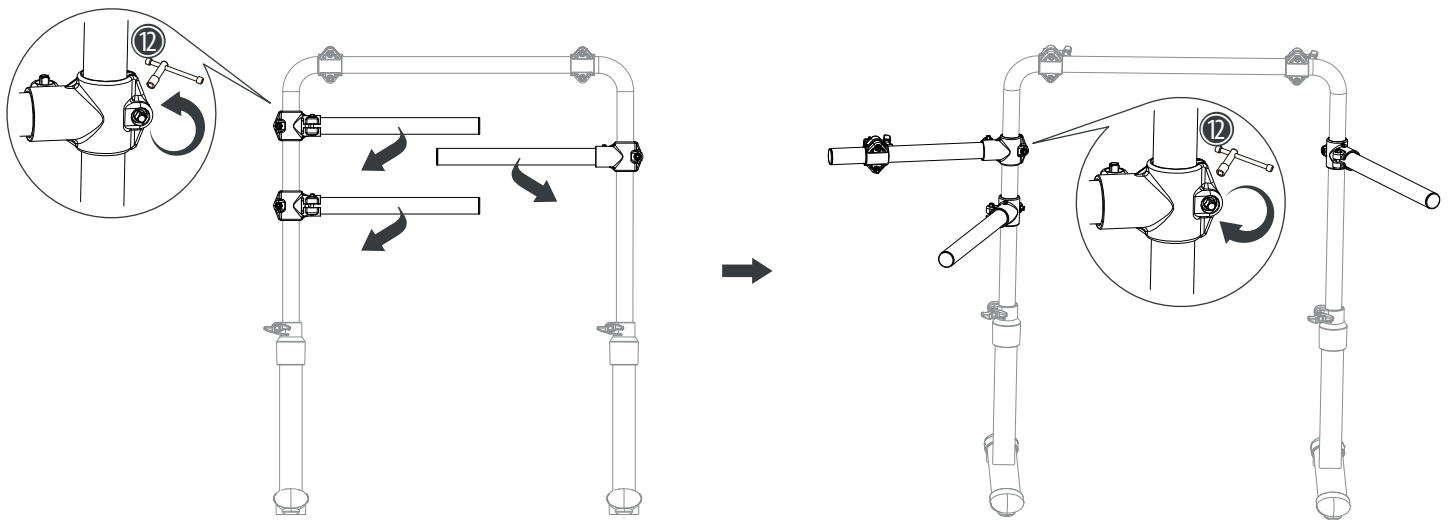


1	Drum module Millenium Rookie
2	Tom pad 1, Tom pad 2, Tom pad 3, Snare pad (7" each, Mesh Head)
3	Hi-hat pedal, Bass Drum pedal
4	Cymbal (Crash, Ride, Hi-hat pad, 8" each)

Assembling the rack

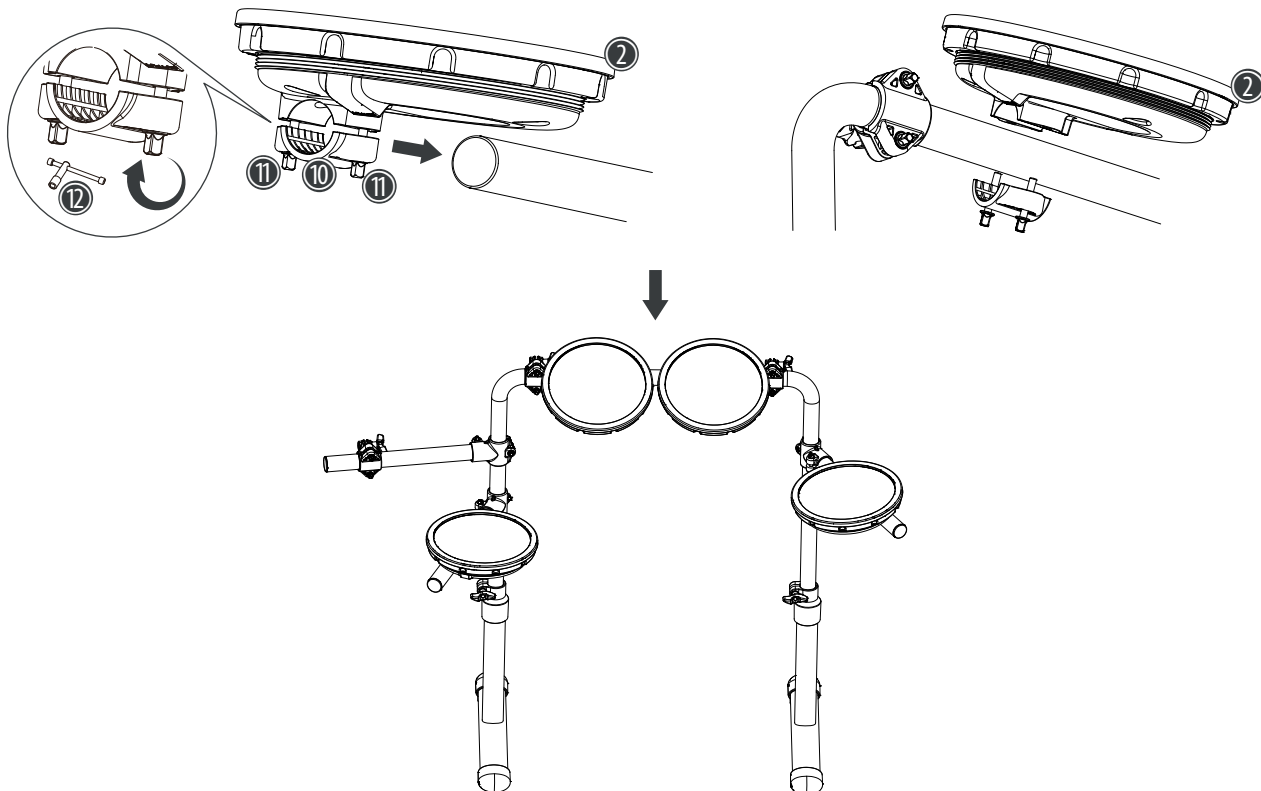


1. Loosen the wing screws of the rack feet (6) and plug the rack feet onto the lateral supports of the rack (5).
2. Then tighten the wing screws of the rack feet (6).



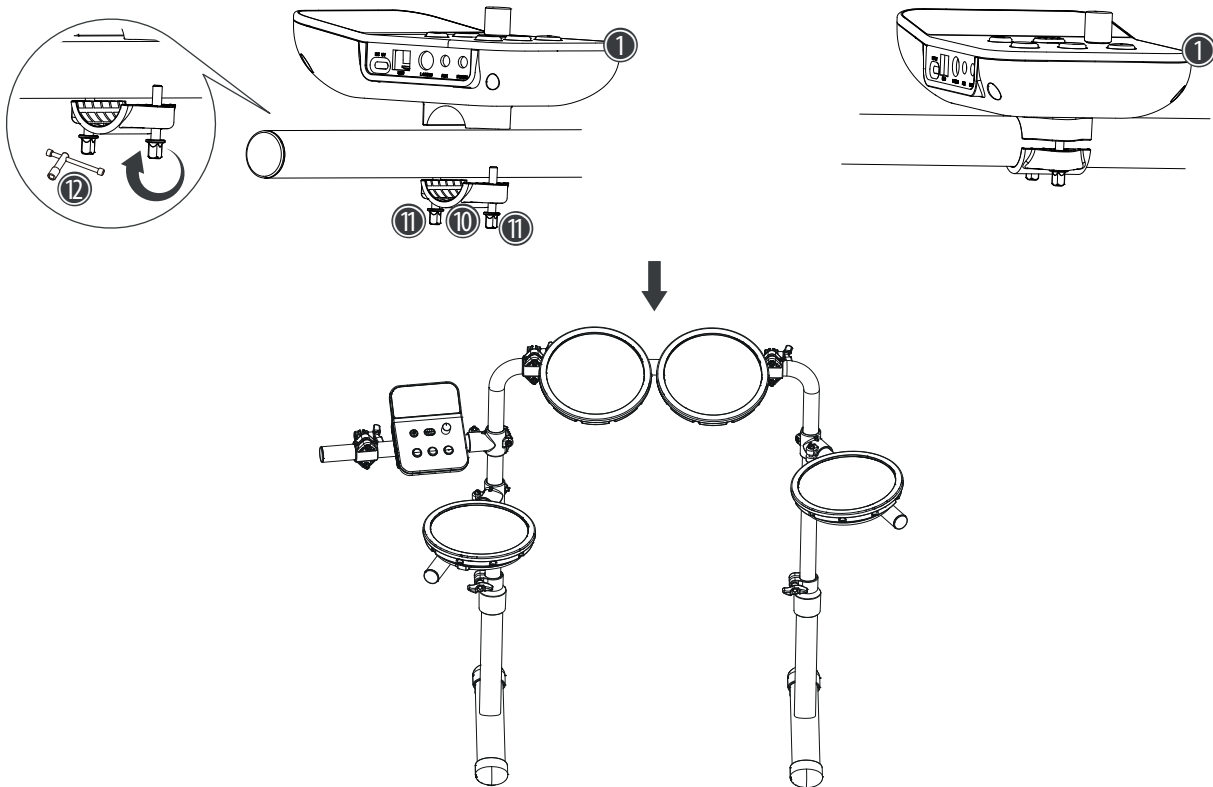
1. Loosen the fixing screws of the rack clamps on the three lateral crossbeams using the drum key (12) and turn the crossbeams into the desired playing position.
2. Then tighten the mounting screws with the drum key (12).

Mounting pads on the rack



- 1.** ➤ Screw the pads (2) to the provided holes at the bottom side with two fixing screws (11) and one mounting clamp (10) each. Fix the pads in the provided positions at the rack (5).
- 2.** ➤ Align the pads on the rack to meet your needs, then tighten the fixing screws (11) of the mounting clamps (10) evenly using the drum key (12).

Mounting the drum module on the rack

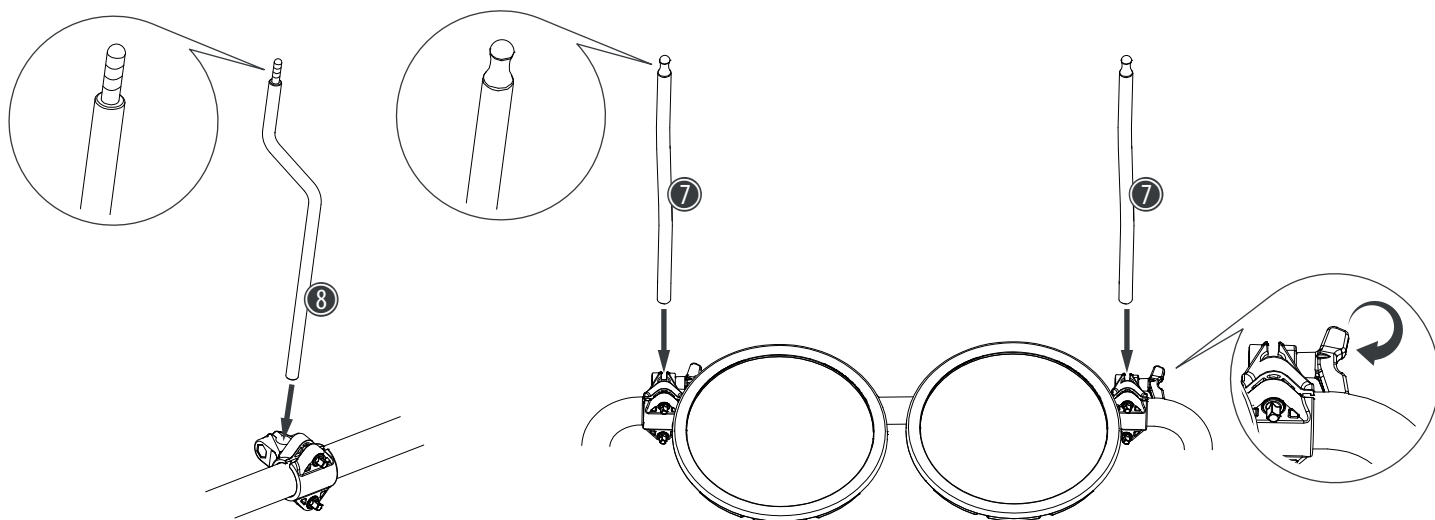


- Screw the drum module (1) to the provided holes at the bottom side with two fixing screws (11) and one mounting clamp (10). Fix the drum module in the provided position at the rack (5).
- Align the drum module on the rack to meet your needs, then tighten the fixing screws (11) of the mounting clamp (10) evenly using the drum key (12).

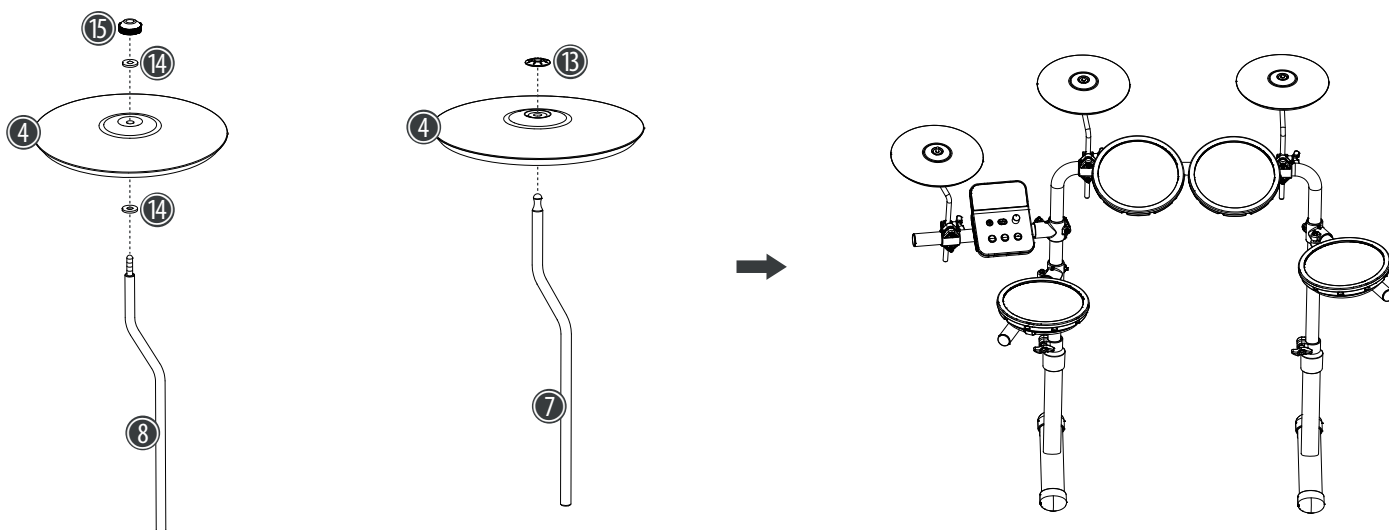


For exchanging the Mesh Head of the pads, turn the grey ring with the Mesh Head completely off the pad. Then put on the new Mesh Head with the grey ring and tighten it again.

Mounting cymbals on the rack

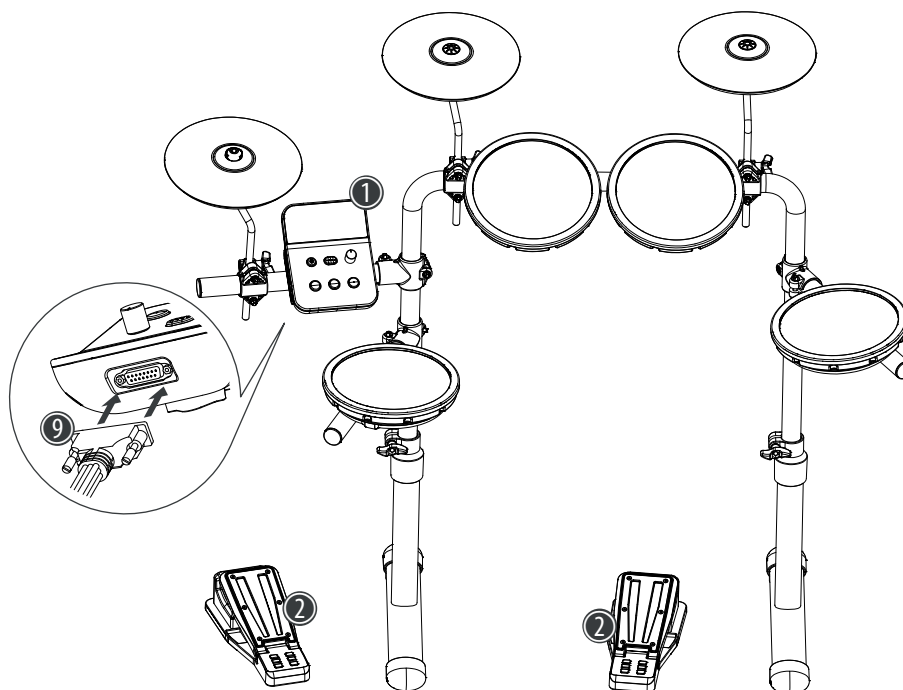


1. ➤ Insert the brackets (7, 8) for the cymbals and the Hi-hat into the provided mounting clamps on the rack.
2. ➤ Fasten the brackets using the wing screws of the mounting clamps at the desired height.



1. ➤ Put as shown two felt washers (14), the Hi-hat pad (4) and the Hi-hat nut (15) on the bracket for the Hi-hat (8).
2. ➤ Tighten the Hi-hat nut (15) to fasten the Hi-hat.
3. ➤ Put as shown one cymbal pad (4) and one fixing washer (13) on the bracket of the each cymbal (7).
4. ➤ Press the fixing washers (13) tightly onto the head of the brackets to fasten the cymbal pads.

Set-up and cabling



1. Place as shown the Bass Drum pedal (2) centred under the rack, the Hi-hat pedal (2) to the left of the rack.
2. Set up the rack, the pads and the cymbals according to your needs
3. The pads and cymbals are wired with the triggers of the multiple cable (9) with the drum module (1). The plugs are appropriately labelled.
4. Fix all cables with the cable ties (17) to the rack.

4 Protecting the environment

Disposal of the packaging material



For the transport and protective packaging, environmentally friendly materials have been chosen that can be supplied to normal recycling.

Ensure that plastic bags, packaging, etc. are properly disposed of.

Do not just dispose of these materials with your normal household waste, but make sure that they are collected for recycling. Please follow the notes and markings on the packaging.

Disposal of your old device



This product is subject to the European Waste Electrical and Electronic Equipment Directive (WEEE) in its currently valid version. Do not dispose with your normal household waste.

Dispose of this device through an approved waste disposal firm or through your local waste facility. When discarding the device, comply with the rules and regulations that apply in your country. If in doubt, consult your local waste disposal facility.

