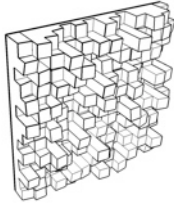


# INSTALLATION PROCEDURE



## MULTIFUSER DC2 | CEILING



### TECHNICAL INFORMATION

Box - 71 x 61.5 x 61.5 cm  
Units per box - 6  
Box Weight - 6.8 Kg  
Each panel - 60 x 60 x 14.7 cm  
Panel Weight - 1.13 Kg

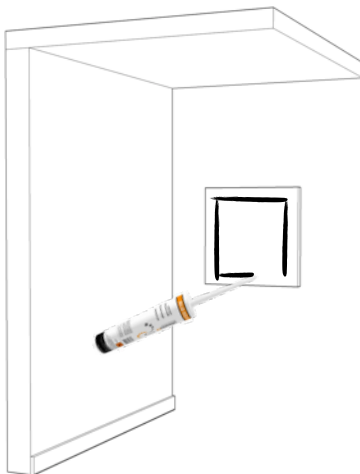
### REQUIRED APPARATUS:

- a) Multifuser DC 2 Acoustic Panels
- b) Vicoustic's Flexi Glue
- c) 1 x Glue Gun

### INSTALLATION:

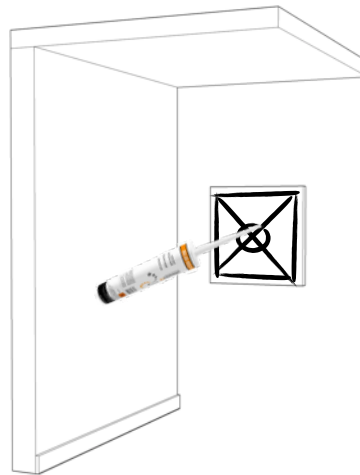
- a) Ceiling surfaces should be examined prior to installation, ensuring they are clean, smooth, and dry.
- b) If you have unpainted gypsum board surfaces, these should be primed with a dryceiling primer (or another material manufactured especially for the purpose), to equalize the absorption between the gypsum board face paper, joint compound, and skin coating materials. You should then apply the paint, and allow air circulation in order to dry the paint within the time frame specified by the paint manufacturer. Please ensure the paint is dry before installing the acoustic panel.
- c) Make sure the room has all the conditions necessary to receive the acoustic panels.
- d) After you apply the glue on the back of each acoustic panel, please ensure you hold the acoustic panel on the ceiling the required time (mentioned below), and ensure it stays fixed in place.

### STEP 1



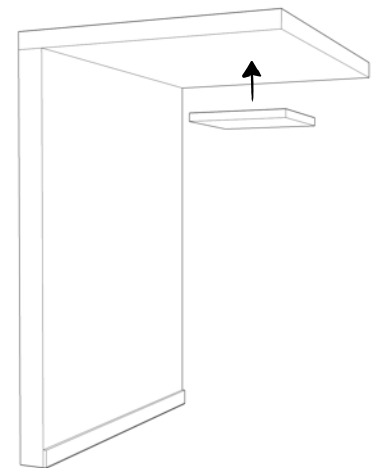
Apply Vicoustic's Flexi Glue at the back of the Multifuser DC2 acoustic panel, near the edges.

### STEP 2



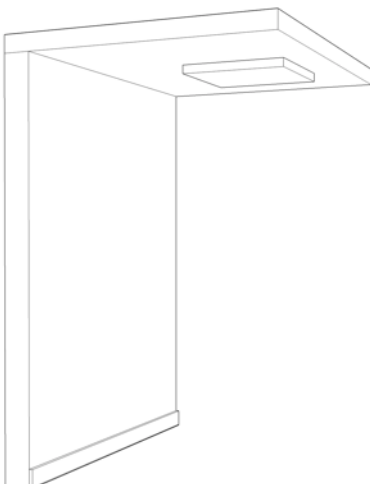
Apply Vicoustic's Flexi Glue in the centre of the Multifuser DC2 like shown on the image above.

### STEP 3



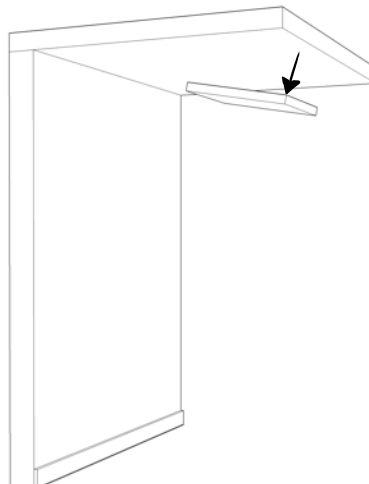
Apply the Multifuser DC2 Acoustic Panel on the ceiling surface

### STEP 4



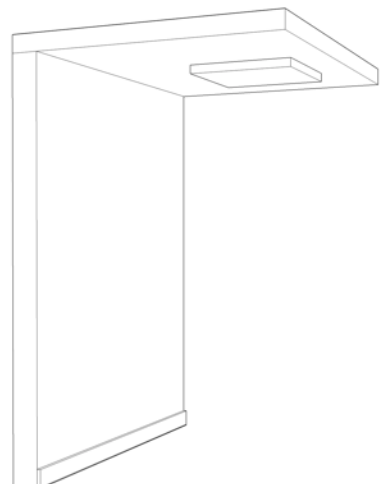
Leave the Multifuser DC2 glued on the surface for 15 seconds.

### STEP 5



Remove the acoustic panel slightly from the ceiling surface (approximately 2cm) during 15 seconds.

### STEP 6



Apply again the Multifuser DC2 on the surface and hold for 2 minutes and ensure it stays fixed in place.