

Installation Instructions: RB-1A and RB-2A Active Bass Pickups

Tools required for pickup installation: small wood file.

1) The RB sensor is designed to fit in the wing slot of a bass bridge. Normal placement for the sensor is in the bass side slot as shown in figure 1. For RB-2 and RB-2A models the sensor is still mounted in the bass side slot but the lead wire should extend towards the fingerboard.

2) The thumbwheel volume controls will mount to the underside of the fingerboard and the fingerboard pickup to the end of the fingerboard.

Fitting The RB Sensor

1) The sensor has a nominal thickness of 0.250" (6.35mm) and requires a slot opening of approximately 0.225" (5.7mm) to 0.235" (6mm) as shown in figure 2. The fit of the sensor in the slot is meant to be snug and there is intended to be a slight interference fit. The sensor will compress slightly as it is pushed into the wing slot.

2) If the opening in the wing slot is larger than required, it is suggested that a thin wood shim or two be glued into place on the surface of the upper leg in order to decrease the size of the slot opening.

3) Using a small wood file, open up the bass side slot between the point of the wing and the upper leg as required.

4) Insert the RB sensor into the bass side slot (lead wire towards the fingerboard).

Fitting The Fingerboard Pickup (RB-2A)

1) The normal placement for the fingerboard pickup is at the end of the fingerboard. Preferably it can be mounted so that element extends under and is protected by the fingerboard itself. Make certain that the area where you are attaching the pickup is clean and dry.

2) If the end of the fingerboard is flat, cut some VHB tape and securely stick the pickup to the end of the fingerboard as shown in fig B. If the end of the fingerboard is not flat, the pickup may be securely stuck to the underside of the fingerboard in any flat area nearest the end of the board. The black section of the pickup should not come into contact with the board.

Fitting The Thumbwheels (RB-2A)

1) The twin thumbwheel volume control unit is intended to be mounted to the underside of the fingerboard near where the fingerboard extends beyond stub of the neck.

2) Leave a little bit of slack wire between the fingerboard pickup and the thumbwheel control unit.

3) Locate a flat area on the underside of the fingerboard where the unit can be securely mounted. Make sure the area is clean and dry.

4) Peel off the backing on the thumbwheel unit's VHB self adhesive pad and securely stick the unit in place.

Fitting The Preamp (Note: the preamp has a trim pot on the circuit board for setting maximum output. It is preset at approx. 25%). See fig. 3 for information on the wiring and wire assignments of the preamp.

1) The preamp unit will attach to the back side of the tailpiece and is held in place by a self adhesive velcro strip.

2) RB-2A- Try to leave a little bit of slack in the lead from the thumbwheel unit down to the preamp.

3) Locate a clean flat area on the back of the tailpiece where the preamp will fit. Remove the backing from the supplied self adhesive velcro strip and place it where you want the preamp to go. Install the preamp.

Finishing Up

1) The RB pickups come supplied with some black self adhesive pads.

2) Secure the wiring on the underside of the fingerboard by cutting some strips from the pads and using them to secure the wiring.

3) The wire from the thumbwheel unit to the preamp should not be allowed to dangle or move around freely. Secure it as necessary.

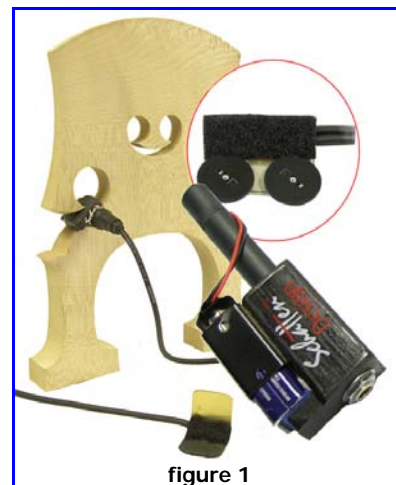


figure 1

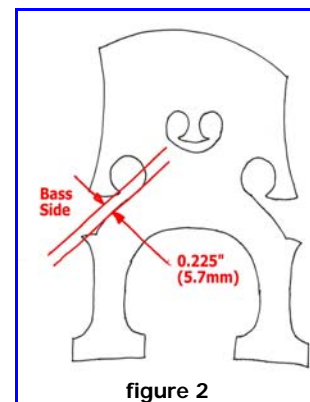
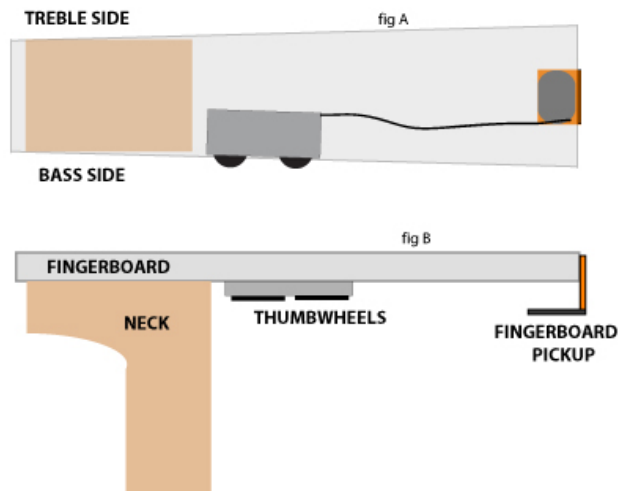
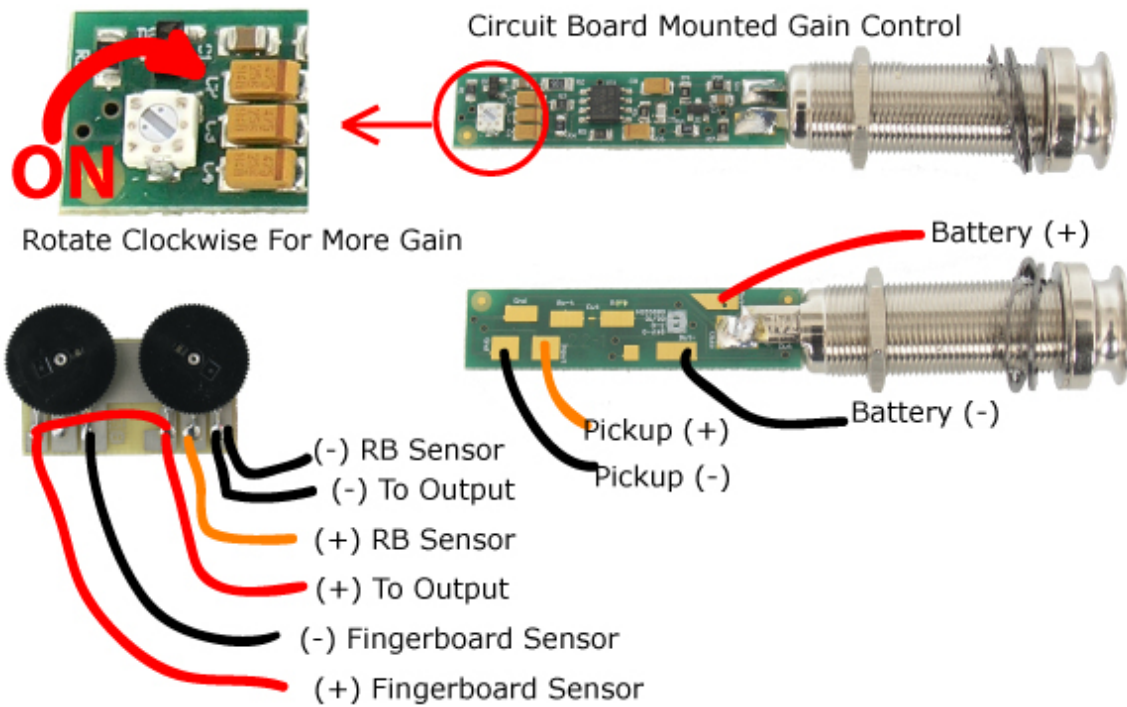


figure 2





Preamp Wiring Assignments

Fig.3

Warranty

We warrant to the original purchaser that our pickups are free from defects in materials and workmanship for a period of 2 (two) years. Should a product fail to perform properly within the specified warranty period you may contact your dealer or Schatten Design for instructions. No product will be accepted for warranty return by Schatten Design without a Return Authorization number.