

ignition

Manual



LED PAR Outdoor 7x15W
RGBWA-UV

Table of contents

1. Safety instructions	3
1.1. For safe and efficient operation	3
2. Designated use	4
2.1. Overhead installation	5
3. Introduction.....	6
3.1. Dimensions	6
4. Connections	7
4.1. Electrical connections.....	7
4.2. DMX connections	7
4.3. DMX connection with terminator.....	7
5. Control.....	8
5.1. Structure of the menu	8
6. DMX chart	10
6.1. Mode 1 (6 channels).....	10
6.2. Mode 2 (7 channels).....	10
6.3. Mode 3 (9 channels).....	11
6.4. Mode 4 (12 channels).....	12
7. Technical data	14

1. Safety instructions



- This device is suitable for indoor and outdoors use.
- All modifications to the device will void the warranty.
- Repairs are to carry out by skilled personnel only.
- Use only fuses of the same type and original parts as spare parts.
- Make sure to unplug the power supply before opening the housing.

1.1. For safe and efficient operation

Be careful with heat and extreme temperature!

Avoid exposing it to direct rays of the sun or near a heating appliance.
Not put it in a temperature bellow 32°F /0°C, or exceeding 104°F /40°C.

To avoid placing on un-stable location!

Select a level and stable location to avoid vibration.

Do not use chemicals or volatile liquids for cleaning!

Use a clean dry cloth to wipe off the dust, or a wet soft cloth for stubborn dirt.

If out of work, contact sales agency immediately!

Any troubles arose, remove the power plug soon, and contact with an engineer for repairing, do not open the cabinet by yourself, it might result a danger of electric shock.

Take care with the power cable!

Never pull the power cable to remove the plug from the receptacle, be sure to hold the plug. When not using the device for an extended period of time, be sure to disconnect the plug from the receptacle.

IMPORTANT!

Damages caused by the disregard of this user manual are not subject to warranty. The dealer will not accept liability for any resulting defects or problems. Make sure the electrical connection is carried out by qualified personnel. All electrical and mechanical connections have to be carried out according to the European safety standards.

2. Designated use

This device was developed for professional use on stages, in discos, theatres etc. The device is only approved for a connection up to 230V 50/60 Hz AC voltage.

Regular breaks during operation increase the lifetime of your device.

Avoid convulsions or any form of forceful impact during the installation or the start-up of the device.

Make sure that the device is not exposed excessive heat or dust at the place of installation. Take care that no cables are lying around. You would endanger your own safety and also the safety of a third party.

If you use fog devices the device has not be exposed to a direct smoke jet. There has to be a safety distance of at least 0,5m between this device and the fog machine. Make sure that the saturation of the fog has to enable a visibility of at least 10m.

Operate the device not during thunderstorms. Surge voltages could destroy the device. Unplug the power supply during thunderstorms.

Surrounding objects or surfaces should not be in contact with the device.

Make sure that during the installation and removal of the device the area below the place of installation is basically cordoned off. This also applies to implementation of service.

The device has basically been protected by a suitable safety.

Make familiar yourself with the functions of the device before start-up. People without the experience should not handle with the device. The most cause of functional disorder is inappropriate handling.

Do not use chemicals or volatile liquids for cleaning. Use a clean dry cloth to wipe off the dust, or a wet soft cloth for stubborn dirt.

For transport use the original packing or designated accessory to avoid damages during the transport.

For reasons of safety unauthorized changes are forbidden.

A usage of the device which differs from usages which are described in this manual can cause damages of the device. In that case the warranty expires. Additional you should notice that every differed usage is related with dangers and can cause e.g. an electrical short, fire, electric shock or crash.

2.1. Overhead installation



Danger of life!

You have to observe the regulations of BGV C1 (formerly VBG 70) and EN60598-2-17 Installations are to carry out by skilled personnel only.

The suspension devices have to be build and measured so they can withstand for an hour the tenfold of the payload without suffering a permanent detrimental deformation.

Basically installation has to be made by using a second separate suspension. This can be e.g. a suitable net. The second suspension must be designed and attached so no part of the installation can fall down in case of failure.

During construction, reconstruction and deconstruction unnecessary stay in the range of moving areas, on lightning bridges, under elevated work stations or any other danger zones is forbidden.

The operator is obliged to following safety-related and mechanical facilities:

- Before the first start-up or after critical changes before restarting it has to be checked by an expert.
- Review in the frame of the inspection test at least all four years by an expert. .
- Review by a qualified person at least once a year.

How to carry out the overhead installation:

In tidal fall you should install the device out of the lounge area of people

IMPORTANT!

Overhead installation requires a high level of experience. This includes knowledge of calculating the payload, used installation material and safety inspections of the used material and the projector whereas the required experience is not limited to this. Do not try to carry out installation yourself under any circumstances if you are not qualified. Contact a professional installer. An inappropriate installation can lead to injuries and/or damaged properties.

It is not allowed to install the device in the grip area of people.

If the device may hang from the ceiling or from high beams, the use of truss systems is mandatory. The device may not be installed so it can swing freely in the room.

Please note: Crashing down items can cause serious injuries! Do not install the projector, if you doubt the safety of a possible installation form!

Before installation make sure that the mounting surface has the ability to carry the tenfold point load of the own weight of the device.

Mount the device with the mounting-bracket to your trussing system using an appropriate clamp.

During overhead installation the device must be always secured by a safety rope which is designed to hold the twelvefold weight of device. Only safety ropes with quick-release safety fastener elements may be used. Hang up the safety rope in the hole of the mounting bracket. Direct the rope over the truss or an appropriate fastening point. Hang up the end in the fastening element and tie up the locking nut. A safety rope once exposed to failing load or damaged may not be used furthermore.

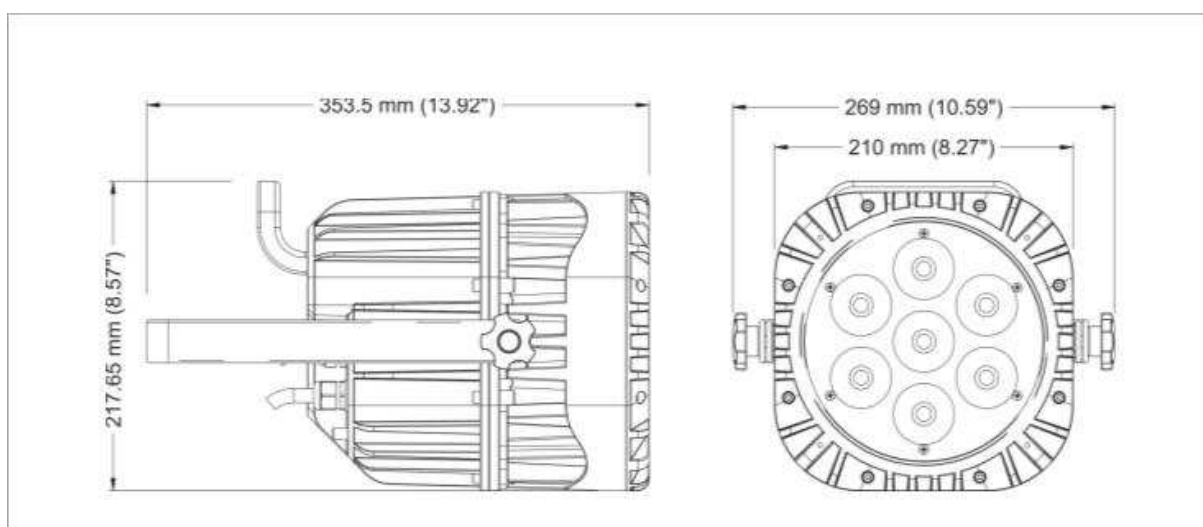
The maximum drop exceed must not exceed 20cm.

A safety rope once exposed to failing load or damaged may not be used furthermore.
Adjust the desired inclination angle via the mounting bracket and tighten the screw.

3. Introduction

Thank you for buying the **LED PAR Outdoor 7x15W RGBWA-UV**. It is a powerful device.
For a successful installation and operation, please read this manual carefully.

3.1. Dimensions



4. Connections

4.1. Electrical connections

If you wish to change the power supply settings, see the chapter Appendix. Connect the fixture to the mains with the enclosed power cable and plug. The earth has to be connected.

Cable (EU)	Cable (US)	Pin	International
Brown	Black	Live	L
Light blue	White	Neutral	N
Yellow/Green	Green	Earth	⊕

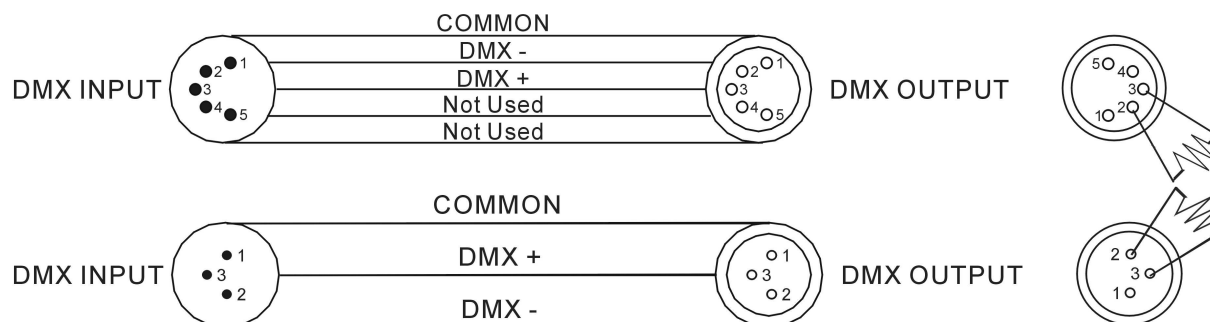
4.2. DMX connections

To make a DMX512 connection go ahead like it is described in the picture. Make sure that you use shielded cable. 3pole or 5pole XLR cables are suitable.

Important! After the last device the line has to be terminated. In order to do this you have to solder a 120Ω resistor between the pins Data + and Data -. You can solder this end resistor on a 3pin or 5pin XLR: Plug this adapter into the DMX output of the device.

4.3. DMX connection with terminator

Where the DMX cable has to run a long distance or the equipment is operated in an electrically noisy environment like a disco for installations, we recommend using a DMX terminator. This prevents corruption of the digital control signal by electrical noise. The DMX terminator is simply an XLR connector with a 120 Ω resistor between pins 2 and 3, which is then plugged into the XLR output socket of the last device in the series. Please look to the bottom drawings.



5. Control

To get to the main menu, press MENU. You are now in the main menu. You can select the menu items by using the UP / DOWN keys. When the function appears, you want to change, press the ENTER button. The following values can use the UP /DOWN change keys and press the ENTER key. To come up one menu level, press the MENU button again. For details on the functions you will learn in the next points of this manual.

5.1. Structure of the menu

ADDR	001-512				Setting the DMX address
STAT	R	000-255			Manual setting dimmer red 0-100%
	G	000-255			Manual setting dimmer green 0-100%
	B	000-255			Manual setting dimmer blue 0-100%
	W	000-255			Manual setting dimmer white 0-100%
	A	000-255			Manual setting dimmer amber 0-100%
	UV	000-255			Manual setting dimmer UV 0-100%
	SHUT	000-255			Manual setting shutter.
SET	CAL	R	000-255		Calibrate RGBWAUV.
		G	000-255		
		B	000-255		
		W	000-255		
		A	000-255		
		UV	000-255		
		USE	YES/NO		
	CHMD	12CH			Choosing one DMX mode.
		9CH			
		7CH			
		6CH			
	DIM	OFF			Choosing one dimmer mode.
		DIM1			
		DIM2			
		DIM3			
		DIM4			
	DISY	ON			The display is always active.
2MIN				The display is deactivated after 2min.	
CTST	CT01-CT10	R	000-255		Manual setting of colors. (White 1-10 in 9/12 channel D'M'X mode).
		G	000-255		
		B	000-255		
		W	000-255		
		A	000-255		

		UV	000-255		
AUTO	AT01-AT05	R...			Choosing an automatic program.
	ATSP	000-255			Setting the speed for the automatic programs.
	CHS1-CH5	R...			Choosing a chase.
PROG	CHS1-CHS5	SC01-SC20	R	000-255	Create the chases.
			G	000-255	
			B	000-255	
			W	000-255	
			A	000-255	
			SHUT	000-255	
			TIME	000-255	
			WAIT	000-255	
	USE	YES/NO	Confirm if the chase should be used.		
INFO	SOFT	xxx			Shows the current software version.
	LEDs	xxR			Shows the number of LEDs.
		xxG			
		xxB			
		xxW			
		xxA			
		xxUV			
POW	100%/80%/50%			Shows the actual output power. If the device becomes too hot, the output power is reduced.	
LOAD	ST L	YES/NO			The settings of the parameters will be reset.
	PR L	YES/NO			The settings of the automatic programs will be reset.
RESET	YES/NO				Reset the device.
SEND	YES/NO				Sending the parameters to other devices.

6. DMX chart

6.1. Mode 1 (6 channels)

Channel	Value from	Value to	Function
1	0	255	Dimmer red 0-100%
2	0	255	Dimmer green 0-100%
3	0	255	Dimmer blue 0-100%
4	0	255	Dimmer white 0-100%
5	0	255	Dimmer amber 0-100%
6	0	255	Dimmer UV 0-100%

6.2. Mode 2 (7 channels)

Channel	Value from	Value to	Function
1	0	255	Dimmer 0-100%
2	0	255	Dimmer red 0-100%
3	0	255	Dimmer green 0-100%
4	0	255	Dimmer blue 0-100%
5	0	255	Dimmer white 0-100%
6	0	255	Dimmer amber 0-100%
7	0	255	Dimmer UV 0-100%

6.3. Mode 3 (9 channels)

Channel	Value from	Value to	Function
1	0	255	Dimmer 0-100%
2	0	255	Dimmer red 0-100%
3	0	255	Dimmer green 0-100%
4	0	255	Dimmer blue 0-100%
5	0	255	Dimmer white 0-100%
6	0	255	Dimmer Amber 0-100%
7	0	255	Dimmer UV 0-100%
8			Strobe
	0	10	No function
	11	90	Strobe slow-fast
	91	170	Random Strobe fast-slow
	171	255	Electronic Squarewave slow-fast
9			White tones
	0	10	No function
	11	20	White 1: 3200 K
	21	30	White 2: 3400 K
	31	40	White 3: 4200 K
	41	50	White 4: 4900 K
	51	60	White 5: 5600 K
	61	70	White 6: 5900 K
	71	80	White 7: 6500 K
	81	90	White 8: 7200 K
	91	100	White 9: 8000 K
	101	110	White 10: 8500 K
			Automatic programs
	111	120	Automatic program1
	121	130	Automatic program2
	131	140	Automatic program3
	141	150	Automatic program4
	151	160	Automatic program5
			Chases
	161	170	Chase 1
	171	180	Chase 2
181	190	Chase 3	
191	200	Chase 4	
201	210	Chase 5	
211	255	No function	

6.4. Mode 4 (12 channels)

Channel	Value from	Value to	Function
1	0	255	Dimmer 0-100%
2	0	255	Dimmer red 0-100%
3	0	255	Dimmer green 0-100%
4	0	255	Dimmer blue 0-100%
5	0	255	Dimmer White 0-100%
6	0	255	Dimmer Amber 0-100%
7	0	255	Dimmer UV 0-100%
8			Strobe
	0	10	No function
	11	90	Strobe slow-fast
	91	170	Random Strobe fast-slow
	171	255	Electronic Squarewave slow-fast
9			White tones
	0	10	No function
	11	20	White 1: 3200 K
	21	30	White 2: 3400 K
	31	40	White 3: 4200 K
	41	50	White 4: 4900 K
	51	60	White 5: 5600 K
	61	70	White 6: 5900 K
	71	80	White 7: 6500 K
	81	90	White 8: 7200 K
	91	100	White 9: 8000 K
	101	110	White 10: 8500 K
			Automatic programs
	111	120	Automatic program 1
	121	130	Automatic program 2
	131	140	Automatic program 3
	141	150	Automatic program 4
	151	160	Automatic program 5
			Chases
	161	170	Chase 1
	171	180	Chase 2
181	190	Chase 3	
191	200	Chase 4	
201	210	Chase 5	
211	255	No function	
10	0	255	Speed for Automatic programs 1-5 of channel 9
11			Colors
	0	10	No function
	11		Blue = 100%, Red, Green, White, Amber, UV = 0%
	12	50	Blue = 100%, the proportion of Green increases

			proportional to the DMX value. Red, White, Amber, UV = 0%
	51		Blue, White = 100%, Red, Green, White, Amber, UV = 0%
	52	90	Blue, White = 100%, the proportion of Blue decreases proportional to the increasing DMX value. Red, green, White, Amber, UV = 0%
	91		White, Amber = 100%, red, green, blue, UV = 0%
	92	130	White, Amber = 100%, the proportion of White decreases proportional to the increasing DMX value. Red, Green, Blue, UV = 0%
	131		Amber, UV = 100%, Red, Green, Blue, White = 0%
	132	170	Amber, UV = 100%, the proportion of Amber decreases proportional to the increasing DMX value. Red, Green, Blue, White = 0%
	171		Red, UV = 100%, Green, Blue, White, Amber = 0%
	172	210	Red, UV = 100%, the proportion of UV decreases proportional to the increasing DMX value. Green, Blue, White, Amber = 0%
	211		Red, Amber, UV = 100%, Green, Blue, White = 0%
	212	250	Red, Amber, UV = 100%, the proportion of red decreases proportional to the increasing DMX value. Green, Blue, White = 0%
	251	255	Red, Green, Blue, White, Amber, UV = 50%
12			Dimmer modes
	0	10	The dimmer mode which is set in the menu is used.
	21	30	Dimmer 1
	31	40	Dimmer 2
	41	50	Dimmer 3
	51	60	Dimmer
	61	254	The dimmer mode which is set in the menu is used.
	255		Reset (5s)

7. Technical data

Power supply	
Voltage	100-240 V / 50-60 Hz
Power consumption max.	120 W
Light source	
LM type	LED 6in1
Color spectrum	RGBWAUV
Power	105 W
Number/Power	7 x 15 W
Optics	
Beam angle	40°
Connections	
Current in	Schutzko / fixed cable
Current out	Schutzko / fixed cable
XLR in/out	XLR 3pol
Controlling	
Automatic	Yes
Master-Slave	Yes
DMX512	Yes
Number of DMX channels	6/7/9/12
Hardware	
Dimensions (L/B/H)	353 x 218 x 269 mm
Weight	8,8 kg

Importer:

B & K Braun GmbH
Industriestraße 2
D-76307 Karlsbad
www.bkbraun.com
info@bkbraun.com

