
Owner's Manual

LED Power & DMX Bar



Thank you for choosing our LED Power & DMX Bar. Prior to use, we suggest that you carefully read all of the instructions. By following the suggestions found in this user manual, you can look forward to the reliable and satisfactory performance of your device for years to come. Please keep the manual for your future reference.

Safety instructions

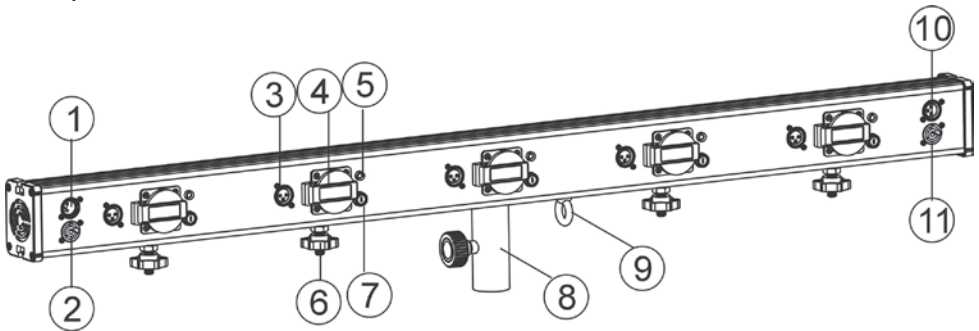
- This product is Class 1 protection electrical equipment. When you use it, you must connect the grounding line with ground to ensure personal safety.
- Make sure to switch off the power before installation or maintenance.
- Please make sure that the total load does not exceed 25 Amp and each channel does not exceed 5 Amp.
- Keep children away from the power cord and the device. Children frequently underestimate the dangers of electrical devices.
- Do not operate the device if the power cord or the mains plug are damaged.
- Never submerge the device in water. Wipe it with a slightly moistened cloth only. Do not expose the device to rain and never use it in a damp or wet environment. Make sure that the power cord never becomes wet or moist during use. This device is designed for indoor use only.
- Under no circumstances may you open the device housing. Should you do so your safety would not be assured and the warranty will become void. There are no operational components whatsoever inside, only really high voltage that can give you a deadly shock!
- Do not place objects containing fluids, e.g. flower vases or beer bottles, on or near the device.
- Only connect the device to a properly wired and earthed mains power socket, that provides the mains voltage stated in this manual.
- Notice regarding disconnection from mains-power:
To completely disconnect the device from mains power, you must pull the plug from the power socket. For this reason the device should be placed in a position where unobstructed access to the power socket is assured at all times, so that in an emergency you will be able to immediately pull out the plug. To eliminate the risk of fire you should completely disconnect the power plug from the power socket when the device is not going to be used for a long time, for example, during holidays.



- Always grasp the power cord by the plug. Do not pull on the cord itself and never touch the power cord with wet hands as this could result in a short circuit or an electrical shock. Do not place the device, speakers or anything else on the power cord and make sure that it does not become clamped. Never tie knots in the power cord and do not bind it together with other cables. Lay the power cord so that no one can step on or stumble over it. A damaged power cord can cause a fire or an electrical shock. Check the power cord from time to time. Should it become damaged contact our customer service department to have it replaced.
- Before a storm and/or a thunderstorm with a risk of lightning, disconnect the device from the electrical power source.

Operation instructions

After unpacking, please check whether the device has been damaged by transport.



1. DMX input: Use a 3-Pin XLR cable to input the DMX signal.
2. Power input: Use powercon to input mains power.
3. DMX output: Use a 3-Pin XLR cable to output the DMX signal.
4. Power socket: Connect with Euro power plug to supply power for lightings.
5. Indicator LED: LED "on" indicates the corresponding circuit is broken.
6. Lighting connector: Used to fix lightings to the device.
7. Fuse: T 5A
8. Fix seat: Used to fix the fixture.
9. Safety ring: To attach the safety cable.
10. DMX through: Outputs the DMX signal for the next fixture.
11. Power through: Supplies mains power to the next fixture.

Technical specifications

Power supply: AC 120V~ 60Hz/230V~ 50Hz
Size: 1210 × 75 × 88mm
Weight: 3.3kgs
Operating environment: indoor

As we continuously strive to improve our products, all specifications and appearance are subject to change without prior notice.

Disposal

Do not dispose of the device at the end of his operating life in your normal domestic waste. This device is subject to the European Guidelines 2002/96/EC.



- Have the product disposed of by a professional disposal company or by your communal disposal facility.
- Observe the currently applicable regulations. In case of doubt contact your disposal facility.
- Dispose of packaging materials in an environmentally responsible manner.

