

Harley Benton

CG-10X
guitar combo

Musikhaus Thomann
Thomann GmbH
Hans-Thomann-Straße 1
96138 Burgebrach
Germany
Telephone: +49 (0) 9546 9223-0
E-mail: info@thomann.de
Internet: www.thomann.de

06.03.2018, ID: 115432

Table of contents

1	General notes.....	4
2	Safety instructions.....	6
3	Installation and starting up.....	10
4	Components and functions.....	16
5	Technical specifications.....	23
6	Protecting the environment.....	24

1 General notes



This user manual contains important information on safe operation of the device. Read and follow all safety notes and all instructions. Save this manual for future reference. Make sure that it is available to all persons using this device. If you sell the device to other users, be sure that they also receive this manual.

Our products are subject to a process of continuous development. We therefore reserve the right to make changes without notice.

Symbols and signal words

This section provides an overview of the symbols and signal words used in this user manual.

Signal word	Meaning
DANGER!	This combination of symbol and signal word indicates an immediate dangerous situation that will result in death or serious injury if it is not avoided.
NOTICE!	This combination of symbol and signal word indicates a possible dangerous situation that can result in material and environmental damage if it is not avoided.

Warning signs	Type of danger
 A yellow triangular warning sign with a black border and a black lightning bolt symbol in the center.	Warning – high-voltage.
 A yellow triangular warning sign with a black border and a black exclamation mark in the center.	Warning – danger zone.

2 Safety instructions

Intended use

Use the device only as described in this user manual. Any other use or use under other operating conditions is considered to be improper and may result in personal injury or property damage. No liability will be assumed for damages resulting from improper use.

This device may be used only by persons with sufficient physical, sensorial, and intellectual abilities and having corresponding knowledge and experience. Other persons may use this device only if they are supervised or instructed by a person who is responsible for their safety.

Safety



DANGER!

Danger for children

Ensure that plastic bags, packaging, etc. are disposed of properly and are not within reach of babies and young children. Choking hazard!

Ensure that children do not detach any small parts (e.g. knobs or the like) from the unit. They could swallow the pieces and choke!

Never let children unattended use electrical devices.



DANGER!

Electric shock caused by high voltages inside

Within the device there are areas where high voltages may be present. Never remove any covers.

There are no user-serviceable parts inside.



DANGER!

Electric shock caused by short-circuit

Always use proper ready-made insulated two-wire mains cabling (power cord). Do not modify the mains cable or the plug. Failure to do so could result in electric shock/death or fire. If in doubt, seek advice from a registered electrician.



NOTICE!

Risk of fire

Do not cover the device nor any ventilation slots. Do not place the device near any direct heat source. Keep the device away from naked flames.



NOTICE!

Operating conditions

This device has been designed for indoor use only. To prevent damage, never expose the device to any liquid or moisture. Avoid direct sunlight, heavy dirt, and strong vibrations.



NOTICE!

Power supply

Before connecting the device, ensure that the input voltage (AC outlet) matches the voltage rating of the device and that the AC outlet is protected by a residual current circuit breaker. Failure to do so could result in damage to the device and possibly injure the user.

Unplug the device before electrical storms occur and when it is unused for long periods of time to reduce the risk of electric shock or fire.

3 Installation and starting up

Unpack and carefully check that there is no transportation damage before using the unit. Keep the equipment packaging. To fully protect the device against vibration, dust and moisture during transportation or storage use the original packaging or your own packaging material suitable for transport or storage, respectively.

Establish all connections as long as the unit is switched off. Use the shortest possible high-quality cables for all connections.

Energy-saving mode

When the amplifier receives no signal for 15 minutes via the instrument input, it switches to standby mode. When it receives a signal again via the instrument input, it automatically switches back to normal mode.

1/4" TS sockets for guitar and microphone input

Drawing and descriptions explain the pin assignment of a 1/4" TS phone jack to be used (mono).



1/4" TRS sockets for head-phones output and AUX input

1	Signal
2	Ground, shielding

Drawing and descriptions explain the pin assignment of a 1/4" TRS phone jack to be used (stereo).



1/8" TRS socket for MP3 player

1	Right channel signal
2	Left channel signal
3	Ground, shielding

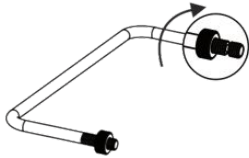
Drawing and descriptions explain the pin assignment of a 1/8" TRS phone jack to be used (stereo).



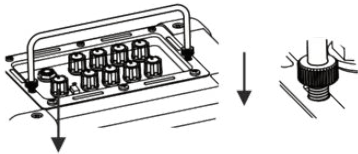
1	Right channel signal
2	Left channel signal
3	Ground, shielding

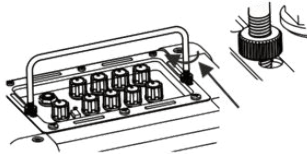
Mounting the carrying handle

Loosen the nuts on the ends of the supplied bracket until a gap is visible.

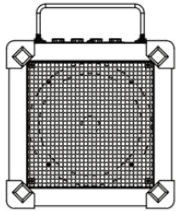


Insert the ends of the bracket into the respective openings (21) on the top of the unit.



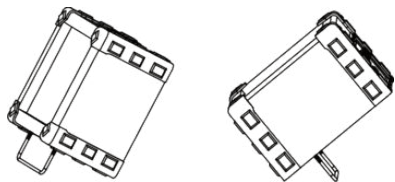


Fix the bracket into the two openings by sliding the bracket in a straight forward direction.



Tighten the nuts firmly at the bracket ends.

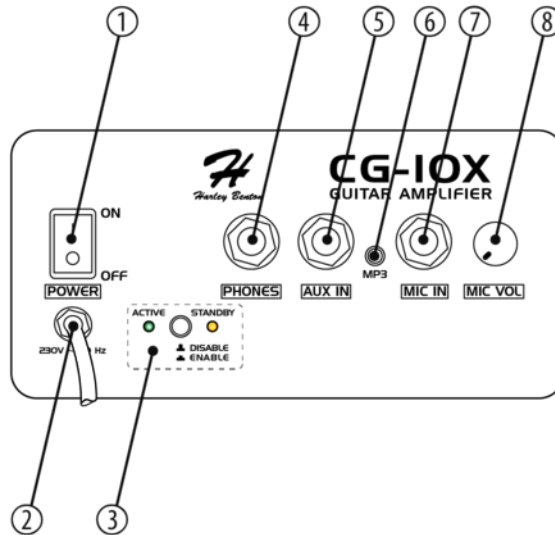
Bracket as a setup aid



The supplied bracket can also be fixed into the prepared openings on the bottom or the back of the device in order to use it as stage monitor.

4 Components and functions

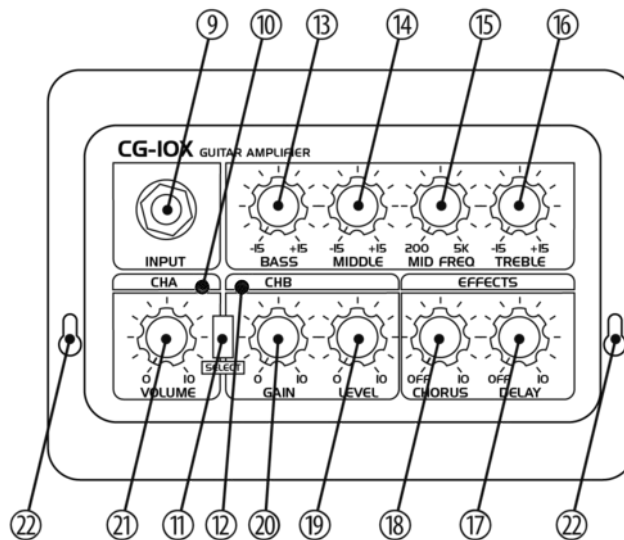
Rear panel



1	<p>POWER</p> <p>Mains switch to turn the unit on and off.</p>
2	<p>Mains cable.</p>
3	<p><i>[STANDBY]</i></p> <p>Push button to <i>[enable]</i> or <i>[disable]</i> the energy saving mode.</p> <p>If the power is on and there is no signal input at the <i>[INPUT]</i> jack for 15 minutes, the device will automatically enter standby mode. As soon as the <i>[INPUT]</i> jack receives a instrument signal, the device switches back to normal mode.</p> <p>LED <i>[ACTIVE]</i></p> <p>Power indicator. This LED lights up continuously in normal operation and turns off when the device – on activated power save mode – switches to standby mode.</p> <p>LED <i>[STANDBY]</i></p> <p>Standby operation. This LED lights up when the device – on activated power save mode – switches to standby mode and turns off when the device is switched back to normal operation.</p>

4	PHONES 1/4" TRS phone socket (stereo) to connect headphones. Plugging in headphones will disconnect the internal speaker. To avoid disturbing noises, turn the volume control ('VOLUME', 20) all the way down before plugging the headphones in or out.
5	AUX IN 1/4" TRS phone socket (stereo) as additional input for line level signals, e.g. for the connection of a CD player or E-drums.
6	MP3 1/8" TRS phone socket (stereo) as additional input for line level signals, e.g. for the connection of a MP3 player.
7	MIC IN 1/4" TS phone socket (mono) for the connection of a microphone.
8	MIC VOL Microphone level control.

Topside



CG-10X

9	INPUT 1/4" TS phone socket (mono) to connect your guitar.
10	CH A This LED indicates that channel A (clean) is active.
11	SELECT Channel switch. Channel A = clean, channel B = distortion.
12	CH B This LED indicates that channel B (distortion) is active. In this case the controls 'GAIN', 'LEVEL', 'CHORUS', and 'DELAY' are operative.
13	BASS Use this control to increase or decrease the low frequencies by ± 15 dB.
14	MIDDLE Use this control to increase or decrease the mid frequencies by ± 15 dB.

15	MID FREQ This control sets the centre frequency for the midrange control (13), sweepable from 200 Hz to 5 kHz.
16	TREBLE Use this control to increase or decrease the high frequencies by ± 15 dB.
17	DELAY This control sets the delay time for the delay effect. In position 'OFF' the delay effect is switched off.
18	CHORUS This control adjusts the chorus effect. In position 'OFF' the chorus effect is switched off.
19	LEVEL Volume control for channel B.
20	GAIN Gain control to set the desired distortion level in channel B.

21 VOLUME

Volume control for channel A

22 Topside openings for mounting the supplied bracket as a carrying handle.

5 Technical specifications

Output power	10 W (RMS) @ 4 Ω	
Frequency response	100 Hz ... 10 kHz	
Signal-to-noise ratio	\geq 70 dB (channel A)	
Input impedance	1 M Ω	
Input sensitivity		
	Guitar	- 30 dBv (channel A)
	Microphone	- 40 dBv
	AUX, MP3	- 10 dBv
Power supply voltage	AC 230 V, 50 Hz	
Dimensions (W \times H \times D)	235 \times 235 \times 155 mm	
Weight	3.4 kg	

6 Protecting the environment

Disposal of the packaging material



For the transport and protective packaging, environmentally friendly materials have been chosen that can be supplied to normal recycling.

Ensure that plastic bags, packaging, etc. are properly disposed of.

Do not just dispose of these materials with your normal household waste, but make sure that they are collected for recycling. Please follow the notes and markings on the packaging.

Disposal of your old device



This product is subject to the European Waste Electrical and Electronic Equipment Directive (WEEE) in its currently valid version. Do not dispose with your normal household waste.

Dispose of this device through an approved waste disposal firm or through your local waste facility. When discarding the device, comply with the rules and regulations that apply in your country. If in doubt, consult your local waste disposal facility.

CG-10X



