

Harley Benton

CG-10X
guitar combo

Musikhaus Thomann
Thomann GmbH
Hans-Thomann-Straße 1
96138 Burgebrach
Germany
Telephone: +49 (0) 9546 9223-0
E-mail: info@thomann.de
Internet: www.thomann.de

02.07.2018, ID: 115432

Table of contents

1	General notes.....	4
2	Safety instructions.....	6
3	Installation and starting up.....	10
4	Components and functions.....	15
5	Technical specifications.....	22
6	Protecting the environment.....	23

1 General notes



This user manual contains important information on safe operation of the device. Read and follow all safety notes and all instructions. Save this manual for future reference. Make sure that it is available to all persons using this device. If you sell the device, include the manual for the next owner.

Our products are subject to a process of continuous development. We therefore reserve the right to make changes without notice.

Symbols and signal words

This section provides an overview of the symbols and signal words used in this user manual.

Signal word	Meaning
DANGER!	This combination of symbol and signal word indicates an immediate dangerous situation that will result in death or serious injury if it is not avoided.
NOTICE!	This combination of symbol and signal word indicates a possible dangerous situation that can result in material and environmental damage if it is not avoided.

Warning signs	Type of danger
 A yellow triangular warning sign with a black border and a black lightning bolt symbol in the center.	Warning – high-voltage.
 A yellow triangular warning sign with a black border and a black exclamation mark in the center.	Warning – danger zone.

2 Safety instructions

Intended use

Use the device only as described in this user manual. Any other use or use under other operating conditions is considered to be improper and may result in personal injury or property damage. No liability will be assumed for damages resulting from improper use.

This device may be used only by persons with sufficient physical, sensorial, and intellectual abilities and having corresponding knowledge and experience. Other persons may use this device only if they are supervised or instructed by a person who is responsible for their safety.

Safety



DANGER!

Danger for children

Ensure that plastic bags, packaging, etc. are disposed of properly and are not within reach of babies and young children. Choking hazard!

Ensure that children do not detach any small parts (e.g. knobs or the like) from the unit. They could swallow the pieces and choke!

Never let children unattended use electrical devices.



DANGER!

Electric shock caused by high voltages inside

Within the device there are areas where high voltages may be present. Never remove any covers.

There are no user-serviceable parts inside.

Do not use the device if covers, protectors or optical components are missing or damaged.



DANGER!

Electric shock caused by short-circuit

Always use proper ready-made insulated two-wire mains cabling (power cord). Do not modify the mains cable or the plug. Failure to do so could result in electric shock/death or fire. If in doubt, seek advice from a registered electrician.



NOTICE!

Risk of fire

Do not block areas of ventilation. Do not install the device near any direct heat source. Keep the device away from naked flames.



NOTICE!

Operating conditions

This device has been designed for indoor use only. To prevent damage, never expose the device to any liquid or moisture. Avoid direct sunlight, heavy dirt, and strong vibrations.



NOTICE!

Power supply

Before connecting the device, ensure that the input voltage (AC outlet) matches the voltage rating of the device and that the AC outlet is protected by a residual current circuit breaker. Failure to do so could result in damage to the device and possibly injure the user.

Unplug the device before electrical storms occur and when it is unused for long periods of time to reduce the risk of electric shock or fire.

3 Installation and starting up

Unpack and carefully check that there is no transportation damage before using the unit. Keep the equipment packaging. To fully protect the device against vibration, dust and moisture during transportation or storage use the original packaging or your own packaging material suitable for transport or storage, respectively.

Create all connections while the device is off. Use the shortest possible high-quality cables for all connections. Take care when running the cables to prevent tripping hazards.

Power saving mode

If there is no signal input at the input jack for 15 minutes, the amplifier will automatically enter standby mode. As soon as the input jack receives a signal again, the amplifier automatically switches back to normal mode.

Phone socket for guitar and microphone input

The figure and the table show the pin assignment of the ¼-inch (6.35-mm) monaural jack plugs.



Phone socket for headphones output and AUX input

1	Signal
2	Ground

The figure and the table show the pin assignment of the 1/4-inch (6.35-mm) stereo jack plug.



Phone socket for MP3 player

1	Signal (right)
2	Signal (left)
3	Ground

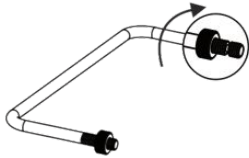
The figure and the table show the pin assignment of the 1/4-inch (3.5-mm) stereo jack plug.



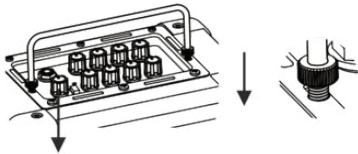
1	Signal (right)
2	Signal (left)
3	Ground

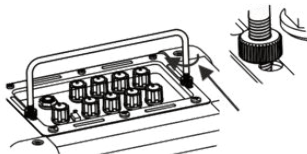
Mounting the bracket

Loosen the nuts at the ends of the supplied bracket until a gap is visible.

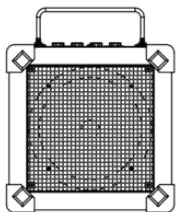


Insert the bracket ends in the provided openings (21) at the top of the device.



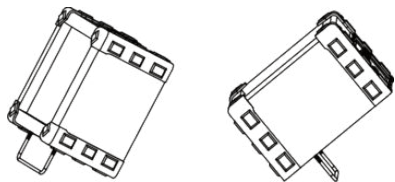


Fix the bracket in the openings by sliding it straightly to the front.



Retighten the nuts on the bracket ends.

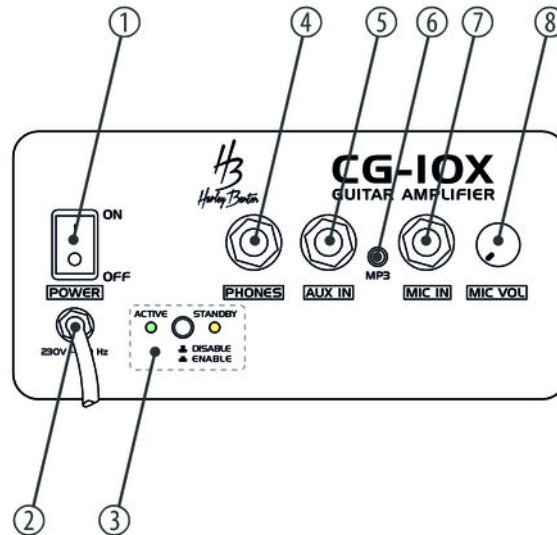
Bracket as mounting aid



The supplied bracket can also be fixed in the provided openings at the bottom or the rear side of the device to use it as monitor on stage.

4 Components and functions

Rear panel

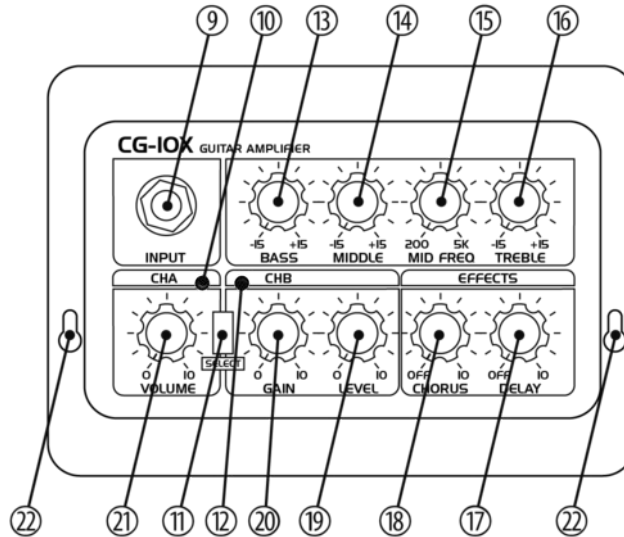


CG-10X

1	POWER Power on/off switch. Turns the device on and off.
2	Power cord.
3	[STANDBY] Push-button to enable (<i>[ENABLE]</i>) or disable (<i>[DISABLE]</i>) the power saving mode. If there is no signal input in power saving mode at the <i>[INPUT]</i> jack for 15 minutes, the device will automatically enter standby mode. As soon as the <i>[INPUT]</i> jack receives a signal again, the device switches back to normal mode. LED <i>[ACTIVE]</i> Power indicator. This LED lights up continuously in normal operation and turns off when the device – on activated power save mode – switches to standby mode. LED <i>[STANDBY]</i> Standby operation. This LED lights up when the device – on activated power save mode – switches to standby mode and turns off when the device is switched back to normal operation.

4	<p>PHONES</p> <p>¼-inch (6.35-mm) headphone jack socket (stereo). If you connect headphones, the internal speakers are disconnected.</p> <p>To avoid annoying noises, turn the 'VOLUME' (20) control down before plugging headphones in or out.</p>
5	<p>AUX IN</p> <p>3.5 mm phone socket (stereo) as additional signal input, p.ex. for an MP3 player or drum set.</p>
6	<p>MP3</p> <p>3.5 mm phone socket (stereo) as additional signal input, p.ex. for an MP3 player.</p>
7	<p>MIC IN</p> <p>¼-inch (6.35-mm) monaural jack socket to connect a microphone.</p>
8	<p>MIC VOL</p> <p>Control for the level of the microphone</p>

Top side



9	INPUT ¼-inch (6.35-mm) jack socket (mono) for the input signal coming from your guitar.
10	CH A The LED indicates that channel A (clean) is enabled.
11	SELECT Switch for selecting between channel A (clean) and channel B (distortion).
12	CH B The LED indicates that channel B (distortion) is enabled. The controls 'GAIN', 'LEVEL', 'CHORUS' and 'DELAY' are then effective.
13	BASS Control to attenuate or increase the high frequencies by ± 15 dB.
14	MIDDLE Control to attenuate or increase the high frequencies by ± 15 dB.

15	MID FREQ Control to set the frequency by using the control 'MIDDLE' to attenuate or increase its level within the range from 200 Hz to 5 kHz.
16	TREBLE Control to attenuate or increase the high frequencies by ± 15 dB.
17	DELAY Control to adjust the delay time. The Delay effect is disabled in 'OFF' position.
18	CHORUS Control to adjust the Chorus effect. The Chorus effect is disabled in 'OFF' position.
19	LEVEL Control to adjust the volume of channel B.
20	GAIN Control to adjust the degree of distortion in channel B.

21	VOLUME Control to adjust the volume of channel A.
22	Openings for fixing the supplied bracket as handle at the top of the device.

5 Technical specifications

Output power	10 W (RMS) @ 4 Ω	
Frequency response	100 Hz ... 10 kHz	
Signal-to-noise ratio	≥ 70 dB (channel A)	
Input impedance	1 M Ω	
Input sensitivity		
	Guitar	- 30 dBv (channel A)
	Microphone	- 40 dBv
	AUX, MP3	- 10 dBv
Power supply voltage	AC 230 V, 50 Hz	
Dimensions (W \times H \times D)	235 \times 235 \times 155 mm	
Weight	3.4 kg	

6 Protecting the environment

Disposal of the packaging material



For the transport and protective packaging, environmentally friendly materials have been chosen that can be supplied to normal recycling.

Ensure that plastic bags, packaging, etc. are properly disposed of.

Do not just dispose of these materials with your normal household waste, but make sure that they are collected for recycling. Please follow the notes and markings on the packaging.

Disposal of your old device



This product is subject to the European Waste Electrical and Electronic Equipment Directive (WEEE) in its currently valid version. Do not dispose with your normal household waste.

Dispose of this device through an approved waste disposal firm or through your local waste facility. When discarding the device, comply with the rules and regulations that apply in your country. If in doubt, consult your local waste disposal facility.

CG-10X



