



T4

OPERATION MANUAL

INTRODUCTION:

This model is used as either a 4CH, DMX chase controller or a DMX dimmer pack. It has two operating modes comprised of DMX and MASTER modes, which is corresponding to the receiving and transmitting functions respectively. In DMX mode, it features 4 channel individual DMX address setting. In MASTER mode, it is incorporated with 6 operating modes, MANUAL DIMMER, MANUAL PROGRAM, AUTO PROGRAM, HOLD SOUND, PROG SOUND and AUTO SOUND. In addition, multiple units can be connected to be used together, one as a DMX dimmer pack and the others as chase controllers. Also, STAND BY, FULL ON and PREHEAT functions are incorporated with this unit. Before operating this unit, please read this manual thoroughly. This manual will guide you through all functions step by step.

TECHNICAL SPECIFICATIONS:

POWER INPUT.....	AC 230V~50Hz, 20A (FOR CE) AC 220V~50Hz, 20A (MAX.)
CHANNEL OUTPUT.....	1.5A per channel, total 6A max. (FOR CE) 5A per channel, total 20A max. (MAX.)
FUSE.....	F6.3A 250V 5x20mm
DIMENSIONS.....	1308x80x74mm
WEIGHT.....	4.0Kg
OPERATING CONDITIONS	TEMPERATURE: 0~50°C RELATIVE HUMIDITY: ≤ 85%

PRODUCT INSTRUCTION:

A. DMX mode

When the DMX indicator is on, this unit is used as a DMX dimmer pack.

1. BUTTONS 1, 2, 3 and 4

Press any one of these 4 buttons, corresponding indicator will blink, and the DMX address of corresponding channel will appear in DISPLAY screen. Press UP or DOWN button to select desired DMX address followed by pressing corresponding channel button, corresponding indicator is off indicating information of entry is confirmed, then the information in DISPLAY screen returns to initial condition.

2. UP BUTTON

Press to increase the DMX address with the maximum 512.

3. DOWN BUTTON

Press to decrease the DMX address with the minimum 1.

4. F+ ↔ BUTTONS (Press F and ↔ buttons at a time.)

Press to select L- or R-.

NOTE: L- refers to data information of CH.1, CH.2, CH.3 and CH.4 corresponding to 1, 2, 3 and 4 output.
R- refers to data information of CH.1, CH.2, CH.3 and CH.4 corresponding to 4, 3, 2 and 1 output.

5. F+D/S BUTTONS (Press F and D/S buttons at a time.)

Press to select CRO or NOR.

NOTE: NOR refers to 0-100% dimming.

CRO denotes only FULL ON and STAND BY are available. When dimming level is greater than 50%, FULL ON is activated, otherwise, STAND BY is effective.

6. F+MODE BUTTONS

This function is effective only in MASTER mode.

7. F+PRESET BUTTONS

Press to select available parameter information used with UP and DOWN buttons.

PARAMETER	FUNCTION
F00-F99	FADE TIME(0-10S)
d00-dFF	DIMMER(0-100%)
E00-E25	PRESET MINIMUM DIMMING LEVEL(0-25%)

8. F+SIGNAL SELECT BUTTONS

Press to switch operating mode from DMX to MASTER mode, and the DISPLAY will show OUT.

9. F+SIGNAL SELECT+RESET BUTTONS

Press to perform a reset for the whole system, which enables to return to initial condition.

10. DMX indicator blinks when preheat is effective, otherwise lights.

11. SIGNAL indicator blinks when DMX signal is available and goes out when not available.

12. DISPLAY shows IN and channel indicators stop blinking after 10 seconds when operation is paused.

B. MASTER mode

When the MASTER indicator is on, this unit is used as a DMX chase controller.

1. BUTTONS 1, 2, 3 and 4

1. Press to enable to display desired channel dimming level, corresponding indicator will blink, then select desired dimming level using UP or DOWN button.

These 4 buttons are effective only when MANUAL DIMMER indicator is on.

Press F+RESET buttons to withdraw from this condition, the indicator won't blink.

2. UP BUTTON

Press to increase the dimming level with the maximum dFF.

3. DOWN BUTTON

Press to decrease the dimming level with the minimum dOO.

4. F+ ↔ BUTTONS(Press F and ↔ buttons at a time.)

Press to select L-- or R--.

NOTE: L-- refers to data information of CH.1,CH.2, CH.3 and CH.4 corresponding to 1, 2, 3 and 4 output.

R-- refers to data information of CH.1, CH.2, CH.3 and CH.4 corresponding to 4, 3, 2 and 1 output.

5. F+D/S BUTTONS(Press F and D/S buttons at a time.)

Press to select CRO or NOR.

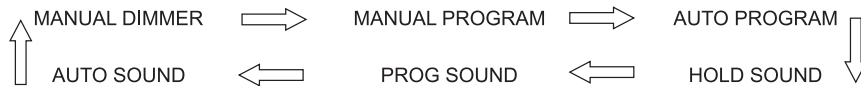
NOTE: NOR refers to 0-100% dimming.

CRO denotes only FULL ON and STAND BY are available. When dimming level is greater than 50%, FULL ON is activated, otherwise, STAND BY is effective.

6. F+MODE BUTTONS

Press to select desired operating mode.

This function is effective only in MASTER mode. The operating modes are changed in order of:



7. F+SIGNAL SELECT BUTTONS

Press to switch operating mode from MASTER to DMX mode, and the DISPLAY will show IN.

8. F+PRESET BUTTONS

Press to select available parameter information used with UP and DOWN buttons.

PARAMETER	FUNCTION
F00-F99	FADE TIME(0-10S)
d00-dFF	DIMMER(0-100%)
E00-E25	PRESET MINIMUM DIMMING LEVEL(0-25%)

9. F+SIGNAL SELECT+RESET BUTTONS

Press to perform a reset for the whole system, which enables to return to initial condition.

10. MASTER indicator blinks when preheat is effective.

11. SIGNAL indicator goes out.

12. FULL ON & STAND BY(Located on the remote control)

FULL ON and STAND BY are effective only in MASTER mode. Press FULL ON to activate full on function of whole channel output, DISPLAY shows FUL. Press STAND BY to turn off whole channel, and STD appears.

13. DISPLAY shows OUT and channel indicators don't blink after 10 seconds when operation is paused.



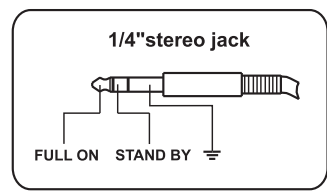
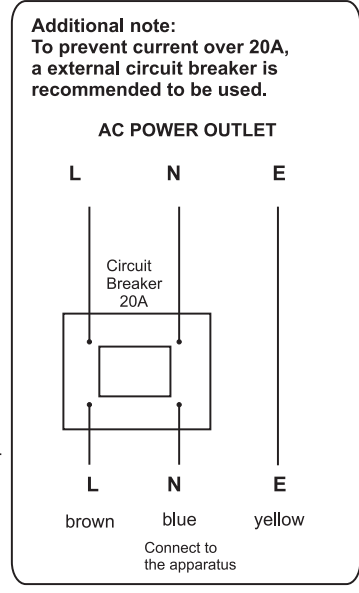
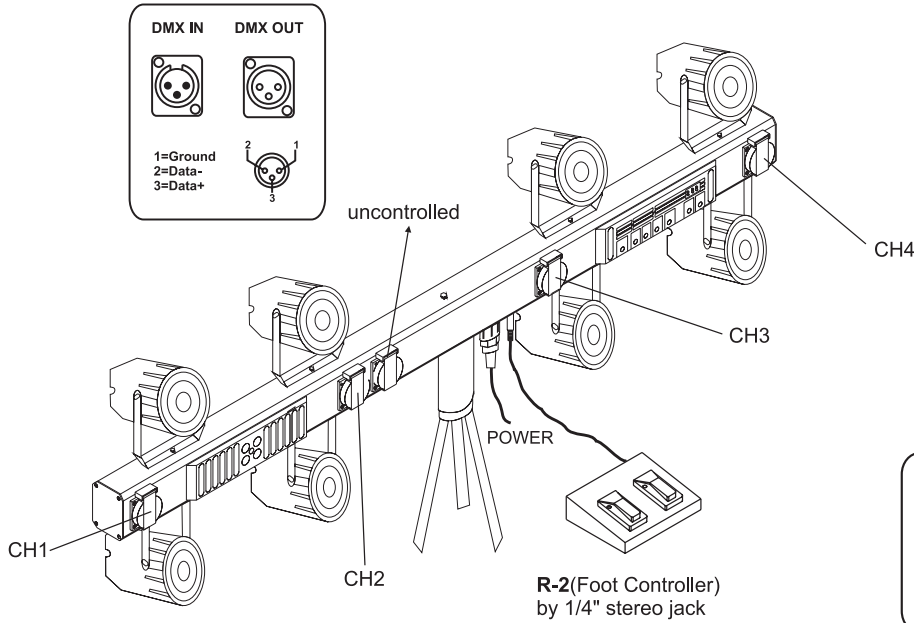
WARNING

1. This apparatus must be earthed.
2. To prevent fire or shock hazard, do not expose this apparatus to rain or moisture.
3. The back-up function when power-down is effective in a month. If reuse this unit more than a month later after last time, reset the system and make a setting again.
4. The duration between power-on and power-off must not be less than 1 second. Otherwise, malfunction or mistake may result.
5. If malfunction or mistakes result when using, reset the system for initialization to restart this unit.
6. This apparatus is suitable for normal pollution situation.
7. When this apparatus is used in connection with other unit, Start Code is 55H(85D)
8. When the current of whole unit exceeds maximum current, external circuit breaker will shut down the circuit automatically.

APPENDIX I

TO ESTABLISH PROPER CONNECTION CONFIGURATION, PLEASE REFER TO THE RIGHT ILLUSTRATION:

NOTE: USE RECOMMEND SCREW ONLY.
(Dimension: M10x25mm)



APPENDIX II

The indications in DISPLAY and explanations

INDICATION	EXPLANATION
L--	Data information of CH1-4 corresponding to CH1-4 output
R--	Data information of CH1-4 corresponding to CH4-1 output
NOR	Output 0-100% dimming enabled
CRO	Only FULL ON and STAND BY enabled, dimming disabled
OUT	DMX output
IN	DMX input
FUL	FULL ON
STD	STAND BY
d00-dff	0-100% dimming level
F00-F99	Fade time with the range of 0-10 seconds
A01-A99	Speed with the range of 1/60-20 step per second
P01-P16	Program 1-16
E00-E25	Preset minimum dimming level of 0-25%
001-512	DMX address 1-512