



UP-1 - 1 Channel Dimmer

dimmer pack

Musikhaus Thomann
Thomann GmbH
Hans-Thomann-Straße 1
96138 Burgebrach
Germany
Telephone: +49 (0) 9546 9223-0
E-mail: info@thomann.de
Internet: www.thomann.de

06.11.2017, ID: 152943

Table of contents

1	General notes	5
	1.1 Further information.....	6
	1.2 Notational conventions.....	7
	1.3 Symbols and signal words.....	7
2	Safety instructions	9
3	Features	13
4	Installation and starting up	14
5	Connections and controls	15
6	Operating	17
7	Technical specifications	20
8	Plug and connection assignments	21
9	Cleaning	22
10	Protecting the environment	23



1 General notes

This manual contains important instructions for the safe operation of the unit. Read and follow the safety instructions and all other instructions. Keep the manual for future reference. Make sure that it is available to all those using the device. If you sell the unit please make sure that the buyer also receives this manual.

Our products are subject to a process of continuous development. Thus, they are subject to change.

1.1 Further information

On our website (www.thomann.de) you will find lots of further information and details on the following points:

Download	This manual is also available as PDF file for you to download.
Keyword search	Use the search function in the electronic version to find the topics of interest for you quickly.
Online guides	Our online guides provide detailed information on technical basics and terms.
Personal consultation	For personal consultation please contact our technical hotline.
Service	If you have any problems with the device the customer service will gladly assist you.

1.2 Notational conventions

This manual uses the following notational conventions:

Letterings

The letterings for connectors and controls are marked by square brackets and italics.

Examples: *[VOLUME]* control, *[Mono]* button.



Displays

Texts and values displayed on the device are marked by quotation marks and italics.

Examples: *'24ch'*, *'OFF'*.

1.3 Symbols and signal words

In this section you will find an overview of the meaning of symbols and signal words that are used in this manual.

Signal word	Meaning
DANGER!	This combination of symbol and signal word indicates an immediate dangerous situation that will result in death or serious injury if it is not avoided.
NOTICE!	This combination of symbol and signal word indicates a possible dangerous situation that can result in material and environmental damage if it is not avoided.
Warning signs	Type of danger
	Warning – high-voltage.
	Warning – danger zone.

2 Safety instructions

Intended use

This appliance is designed for professional use only and is intended to be used to control the brightness of connected spotlights. Use the device only as described in this user manual. Any other use or use under other operating conditions is considered to be improper and may result in personal injury or property damage. No liability will be assumed for damages resulting from improper use.

This device may be used only by persons with sufficient physical, sensorial, and intellectual abilities and having corresponding knowledge and experience. Other persons may use this device only if they are supervised or instructed by a person who is responsible for their safety.

Safety



DANGER!

Danger for children

Ensure that plastic bags, packaging, etc. are disposed of properly and are not within reach of babies and young children. Choking hazard!

Ensure that children do not detach any small parts (e.g. knobs or the like) from the unit. They could swallow the pieces and choke!

Never let children unattended use electrical devices.



DANGER!

Electric shock caused by high voltages inside

Within the device there are areas where high voltages may be present. Never remove any covers.

There are no user-serviceable parts inside.

Do not use the device if covers, protectors or optical components are missing or damaged.



DANGER!

Electric shock caused by short-circuit

Do not modify the mains cable or the plug. Failure to do so could result in electric shock/death or fire. If in doubt, seek advice from a registered electrician.



NOTICE!

Risk of fire

Do not block areas of ventilation. Do not install the device near any direct heat source. Keep the device away from naked flames.



NOTICE!

Operating conditions

This device has been designed for indoor use only. To prevent damage, never expose the device to any liquid or moisture. Avoid direct sunlight, heavy dirt, and strong vibrations.



NOTICE!

Power supply

Before connecting the device, ensure that the input voltage (AC outlet) matches the voltage rating of the device and that the AC outlet is protected by a residual current circuit breaker. Failure to do so could result in damage to the device and possibly injure the user.

Unplug the device before electrical storms occur and when it is unused for long periods of time to reduce the risk of electric shock or fire.

3 Features

- 1 dimmer channel, 6 A max.
- Output: 1 × Schuko socket outlet with hinged cover
- Digital control system
- Control via DMX 512

4 Installation and starting up

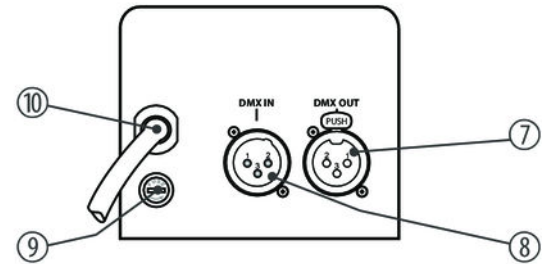
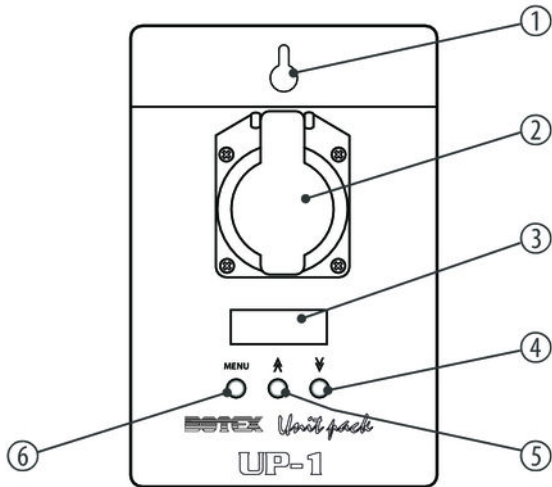
Unpack and carefully check that there is no transportation damage before using the unit. Keep the equipment packaging. To fully protect the device against vibration, dust and moisture during transportation or storage use the original packaging or your own packaging material suitable for transport or storage, respectively.

Create all connections while the device is off. Use the shortest possible high-quality cables for all connections. Take care when running the cables to prevent tripping hazards.

Connections in 'DMX' mode

Connect the DMX input of the device to the DMX output of a DMX controller or other DMX device. Connect the output of the first DMX device to the input of the second one and so on, to form a series connection. Make sure that the output of the last DMX device in the chain is terminated by a resistor (110 Ω , ¼ W).

5 Connections and controls



1	Opening for hanging
2	<i>[OUTPUT]</i> Dimmer outlet for connecting the spotlight to be controlled, loadable up to 6 A.
3	Display
4, 5	Arrow buttons to browse the control menu and to increase or decrease the displayed value.
6	<i>[MENU]</i> Button to open the main menu and confirm display values.
7	<i>[DMX OUT]</i> DMX output.
8	<i>[DMX IN]</i> DMX input.
9	Fuse holder. Should the fuse have blown, disconnect the unit from the power supply and replace the fuse with a new fuse of the same type.
10	Power cord.

6 Operating

Starting the device

Connect the device to the power grid. The unit starts with the last settings. The display shows the last set DMX address.

If the power supply is unstable, the display shows 'AC-0'. In this case, wait until the display turns off.

DMX address

The display shows the last set DMX address, e.g. 'A123'. Use the arrow buttons to select a value between 1 and 512 (display shows 'A001' ... 'A512'). The setting is instantly applied.

While setting the DMX address the output is switched off.

Switch-Pack mode

First set the desired DMX address. Press *[MENU]* to change to the next menu. Press one of the arrow buttons repeatedly until the display shows 'S---'.

Press *[MENU]* to switch to Switch-Pack mode. There are two statuses.

- Switch On:
The output is switched on, a connected spotlight lights regardless of the DMX signal.
- Switch Off:
A connected spotlight is operated depending on the DMX signal. If the DMX signal specifies a brightness of less than 40 % (corresponds to the value range 0 ... 101) the spotlight is turned off; if the DMX signal specifies a brightness of 40 % or more (corresponds to the value range 102 ... 255) the spotlight is turned on.

Use the arrow buttons to choose between Switch On (display shows 'S-on') and Switch Off (display shows 'S-oF'). Press *[MENU]* to apply the settings and return to adjusting the DMX address.

Dimmer-Pack mode

First set the desired DMX address. Press *[MENU]* to change to the next menu. Press one of the arrow buttons repeatedly until the display shows 'd---'.

Press *[MENU]* to switch to Dimmer-Limit mode. Use the arrow buttons to set a value between 10 and 100 (display shows 'L010' ... 'L100'). The value is applied automatically.

Press *[MENU]* to switch to Dimmer-Preset mode. Use the arrow buttons to set a value between 0 and 100 (display shows 'L010' ... 'L100'). The value is applied automatically.

Press *[MENU]* to apply the settings and return to adjusting the DMX address.

7 Technical specifications

Signal input	DMX 512 via three-pin XLR socket
Output	1 × Schuko socket outlet (CEE 7/3)
Operating supply voltage	AC 230 V ~ 50 Hz
Fuse	5 mm × 20 mm, 6.3 A, 250 V, fast-acting
Dimensions (W × H × D)	93 mm × 80 mm × 185 mm
Weight	0.8 kg

8 Plug and connection assignments

Introduction

This chapter will help you select the right cables and plugs to connect your valuable equipment so that a perfect light experience is guaranteed.

Please take our tips, because especially in 'Sound & Light' caution is indicated: Even if a plug fits into a socket, the result of an incorrect connection may be a destroyed DMX controller, a short circuit or 'just' a not working light show!

DMX connections

The unit offers a 3-pin XLR socket for DMX output and a 3-pin XLR plug for DMX input. Please refer to the drawing and table below for the pin assignment of a suitable XLR plug.



Pin	Configuration
1	Ground, shielding
2	Signal inverted (DMX-, 'cold signal')
3	Signal (DMX+, 'hot signal')

9 Cleaning

Device components

Clean the device components that are accessible from the outside regularly. The cleaning frequency depends on the operating environment: damp, smoky or particularly dirty environments can cause greater accumulation of dirt on the device components.

- Clean with a dry soft cloth.
- Stubborn dirt can be removed with a slightly dampened cloth.
- Never use solvents or alcohol for cleaning.

10 Protecting the environment

Disposal of the packaging material



For the transport and protective packaging, environmentally friendly materials have been chosen that can be supplied to normal recycling.

Ensure that plastic bags, packaging, etc. are properly disposed of.

Do not just dispose of these materials with your normal household waste, but make sure that they are collected for recycling. Please follow the notes and markings on the packaging.

Disposal of your old device



This product is subject to the European Waste Electrical and Electronic Equipment Directive (WEEE). Do not dispose with your normal household waste.

Dispose of this device through an approved waste disposal firm or through your local waste facility. When discarding the device, comply with the rules and regulations that apply in your country. If in doubt, consult your local waste disposal facility.

