

Owner's Manual

This manual contains important instructions for the safe operation of the product. Read and follow all safety notes and all instructions. Keep the manual for future reference. If you sell the product to another user, be sure that they also receive this manual.

Safety instructions

Intended use

This device is used for the stringing of string instruments. Any other use or use under other operating conditions is considered to be improper and may result in personal injury or property damage. No liability will be assumed for damages resulting from improper use.

Danger for children



Ensure that plastic bags, packaging, etc. are disposed of properly and are not within reach of babies and young children. Choking hazard! Ensure that children do not detach any small parts (e.g. knobs or the like) from the unit. They could swallow the pieces and choke! Never let children unattended use electrical devices!

Operating location

Do not ever use this product

- in direct sunlight
- in conditions of extreme temperature or humidity
- in extremely dusty or dirty places
- in locations where the device may get wet
- in the vicinity of magnetic fields

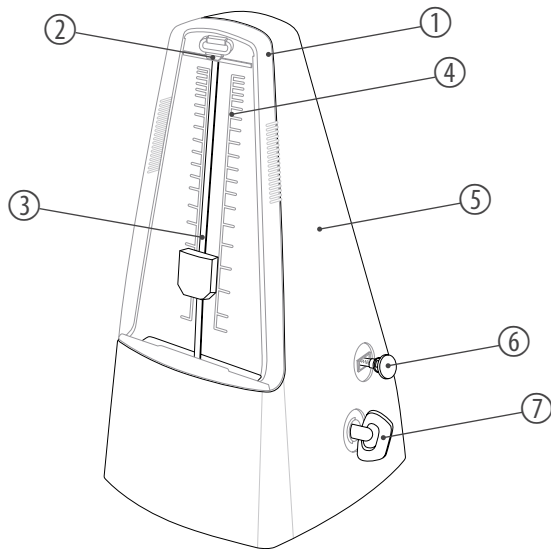
General handling

- to prevent damage, do not exert force on the switches and controls while operating them.
- do not immerse the unit in water. Wipe only with a clean and dry cloth. Do not use liquid cleaners such as benzene, thinners or flammable.

Features

- Mechanical metronome with tension spring and disengageable bell
- Classical Tempo display

Controls and functions



- 1 Cover
- 2 Support of the Pendulum
- 3 Pendulum with weight
- 4 Scale
- 5 Housing with tension spring
- 6 Slide control for rhythm setting
- 7 Winding key

Using the product

1. Open the bottom part of the device and remove the transport lock.
2. Take the winding key from the bottom part of the device and stick it onto the provided pin on the side panel of the housing.
3. Place the device on an even working surface.
4. Wind up the device with the winding key until you feel some resistance. If you keep on winding up the device, there is the danger of overturning it.
! Wind up the metronome shortly before using it. You should not leave the metronome wound up for a long period of time, as this would reduce the lifetime of the tension spring.
5. Loosen the pendulum from its support, while pressing the pendulum backwards and to the left and right side.

6. Adjust the pendulum to its right position to set the tempo.
! Make sure that the upper end of the weight is placed exactly near the calibration mark of the requested tempo on the scale.
7. Push the pendulum. As soon as the movement is consistent, every beat complies a quarter note of the musical piece.
8. Position the slide control to the desired position to set the time signature.
! Only use the slide controller when the metronome is already running. The set time signature is shown with a number scale on the slide controller. The number that stands directly on the housing shows the set time signature. Make sure that the slide controller is not locked at the set time signature.
9. To disengage the bell, slide the slide controller completely into the housing.

Technical specifications

Rotational speed: 40 ... 208 bpm
Taktarten: 2/4, 3/4, 4/4, 6/4
Tempo precision: $\pm 1\%$

Colour: Black-polished
Weight: 488 g



For the packaging, environmentally friendly materials have been chosen that can be supplied to normal recycling. Ensure that plastic bags, packaging, etc. are properly disposed. Do not just dispose of these materials with your normal household waste, but make sure that they are collected for recycling. Please follow the notes and markings on the packaging.