



DPX-620III 6 Channel
Dimmer S

dimmer pack

Musikhaus Thomann
Thomann GmbH
Hans-Thomann-Straße 1
96138 Burgebrach
Germany
Telephone: +49 (0) 9546 9223-0
E-mail: info@thomann.de
Internet: www.thomann.de

26.04.2018, ID: 186689

Table of contents

1	General notes	5
	1.1 Further information.....	6
	1.2 Notational conventions.....	7
	1.3 Symbols and signal words.....	8
2	Safety instructions	10
3	Features	14
4	Installation and starting up	15
5	Connections and controls	18
6	Operating	22
7	Technical specifications	32
8	Plug and connection assignments	33
9	Protecting the environment	34



4 DPX-620III 6 Channel Dimmer S dimmer pack

1 General notes

This manual contains important instructions for the safe operation of the unit. Read and follow the safety instructions and all other instructions. Keep the manual for future reference. Make sure that it is available to all those using the device. If you sell the unit please make sure that the buyer also receives this manual.

Our products are subject to a process of continuous development. Thus, they are subject to change.

1.1 Further information

On our website (www.thomann.de) you will find lots of further information and details on the following points:

Download	This manual is also available as PDF file for you to download.
Keyword search	Use the search function in the electronic version to find the topics of interest for you quickly.
Online guides	Our online guides provide detailed information on technical basics and terms.
Personal consultation	For personal consultation please contact our technical hotline.
Service	If you have any problems with the device the customer service will gladly assist you.

1.2 Notational conventions

This manual uses the following notational conventions:

Letterings

The letterings for connectors and controls are marked by square brackets and italics.

Examples: *[VOLUME]* control, *[Mono]* button.

Displays

Texts and values displayed on the device are marked by quotation marks and italics.

Examples: *'24ch'*, *'OFF'*.

Instructions



The individual steps of an instruction are numbered consecutively. The result of a step is indented and highlighted by an arrow.

Example:

1. ▶ Switch on the device.
2. ▶ Press *[Auto]*.
 - ⇒ Automatic operation is started.
3. ▶ Switch off the device.

1.3 Symbols and signal words

In this section you will find an overview of the meaning of symbols and signal words that are used in this manual.

Signal word	Meaning
DANGER!	This combination of symbol and signal word indicates an immediate dangerous situation that will result in death or serious injury if it is not avoided.
NOTICE!	This combination of symbol and signal word indicates a possible dangerous situation that can result in material and environmental damage if it is not avoided.
Warning signs	Type of danger
	Warning – high-voltage.
	Warning – danger zone.

2 Safety instructions

Intended use

This appliance is designed for professional use only and is intended to be used to control the brightness of connected spotlights. Use the device only as described in this user manual. Any other use or use under other operating conditions is considered to be improper and may result in personal injury or property damage. No liability will be assumed for damages resulting from improper use.

This device may be used only by persons with sufficient physical, sensorial, and intellectual abilities and having corresponding knowledge and experience. Other persons may use this device only if they are supervised or instructed by a person who is responsible for their safety.

Safety**DANGER!****Danger for children**

Ensure that plastic bags, packaging, etc. are disposed of properly and are not within reach of babies and young children. Choking hazard!

Ensure that children do not detach any small parts (e.g. knobs or the like) from the unit. They could swallow the pieces and choke!

Never let children unattended use electrical devices.

**DANGER!****Electric shock caused by high voltages inside**

Within the device there are areas where high voltages may be present. Never remove any covers.

There are no user-serviceable parts inside.

Do not use the device if covers, protectors or optical components are missing or damaged.



DANGER!

Electric shock caused by short-circuit

Do not modify the mains cable or the plug. Failure to do so could result in electric shock/death or fire. If in doubt, seek advice from a registered electrician.



NOTICE!

Risk of fire

Do not block areas of ventilation. Do not install the device near any direct heat source. Keep the device away from naked flames.



NOTICE!

Operating conditions

This device has been designed for indoor use only. To prevent damage, never expose the device to any liquid or moisture. Avoid direct sunlight, heavy dirt, and strong vibrations.



NOTICE!

Power supply

Before connecting the device, ensure that the input voltage (AC outlet) matches the voltage rating of the device and that the AC outlet is protected by a residual current circuit breaker. Failure to do so could result in damage to the device and possibly injure the user.

Unplug the device before electrical storms occur and when it is unused for long periods of time to reduce the risk of electric shock or fire.

3 Features

- Six dimmer channels
- Output: 6 shockproof sockets
- Digital control system
- Control via DMX 512
- Single channel fuse (each 16 A)
- Phase correction for linear dimming
- Individually adjustable dimmer curve
- Power supply via 5-pin mains connection cable for CEE plug

4 Installation and starting up

Unpack and carefully check that there is no transportation damage before using the unit. Keep the equipment packaging. To fully protect the device against vibration, dust and moisture during transportation or storage use the original packaging or your own packaging material suitable for transport or storage, respectively.

Create all connections while the device is off. Use the shortest possible high-quality cables for all connections. Take care when running the cables to prevent tripping hazards.



DANGER!

Hazardous voltage

Hazardous voltage may be present at cable ends and screw terminals.

The connection of screw terminals as well as all maintenance and repair work on the electrical installation of the device must only be performed by qualified electrical personnel in volt-free condition. Failure to do so may result in electric shock and risk of fire and loss of life.

By all means you have to observe all electrical safety instructions applicable at the place of operation.

The device is designed for mounting in 19" racks, it occupies two rack units (RU).

If necessary, install a CEE plug on the power cord of the unit.

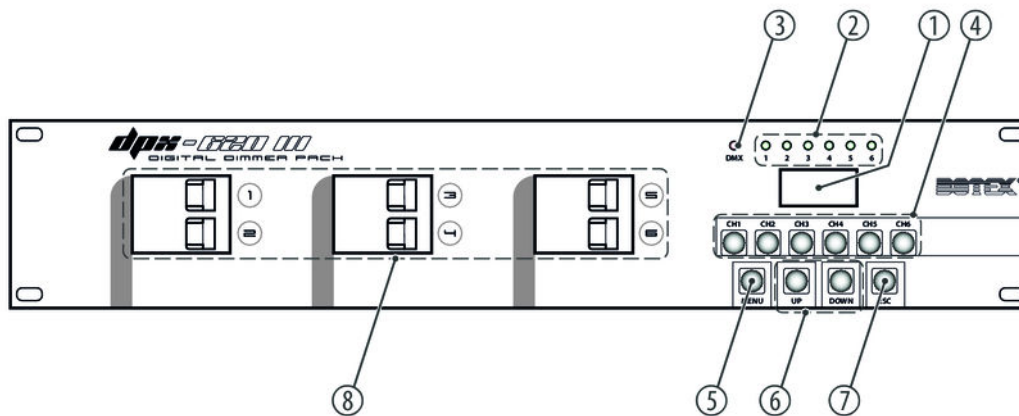
First, connect the loads to the terminals on the back of the device. Establish the DMX link to the controller. Finally, connect the CEE plug of the device to a CEE socket.

Connections in 'DMX' mode

Connect the DMX input of the device to the DMX output of a DMX controller or other DMX device. Connect the output of the first DMX device to the input of the second one and so on, to form a series connection. Make sure that the output of the last DMX device in the chain is terminated by a resistor (110 Ω , 1/4 W).

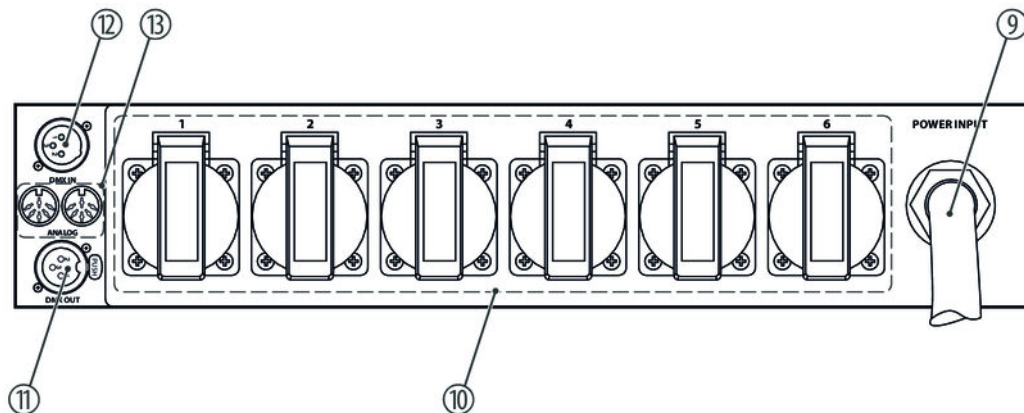
5 Connections and controls

Front panel



1	Display
2	<i>[1]...[6]</i> Voltage indicators of channels 1...6. The LEDs of active channels light solid green during operation.
3	<i>[DMX]</i> The control LED lights when a DMX signal is received.
4	<i>[CH 1] ... [CH 6]</i> Buttons for direct control of channels 1...6.
5	<i>[MENU]</i> : Opens the main menu.
6	<i>[UP] / [DOWN]</i> : Navigates within a menu, increases or decreases the displayed value.
7	<i>[ESC]</i> : Closes an opened menu.
8	<i>[1]...[6]</i> Circuit breakers for channels 1...6, arranged in three blocks. With the circuit breakers, the desired channels are being activated (<i>[I - ON]</i>) or deactivated (<i>[O - OFF]</i>).

Rear panel



9	Power cord for 5-pin CEE plug (40 A / phase, 3 × 230 V)
10	Dimmer outlets, designed as shockproof sockets.
11	<i>[DMX OUT]</i> DMX output
12	<i>[DMX IN]</i> DMX input.
13	<i>[ANALOG]</i> Connections to control the device by a voltage in the range 0 V ... 10 V.

6 Operating

Turning on and off

As soon as you connect the device to the voltage supply, the display shows the current software version, then a bar graph with the brightness set for each channel.

Turn on the required channels via the associated circuit breakers (LEDs of active channels light up green).

Disconnect the device from the power supply to turn it off.



DANGER!

Hazardous voltage

Hazardous voltage may be present at cable ends and screw terminals.

The connection of screw terminals as well as all maintenance and repair work on the electrical installation of the device must only be performed by qualified electrical personnel in volt-free condition. Failure to do so may result in electric shock and risk of fire and loss of life.

By all means you have to observe all electrical safety instructions applicable at the place of operation.

Adjusting the brightness of an individual channel

Press one of the channel buttons *[CH 1]* ... *[CH 6]* to change the brightness. Pressing briefly results in changes with small increments, press longer for changes with larger increments. Press *[ESC]* to reverse the direction of change.

Setting the brightness for all channels

Press one of the channel buttons *[UP]* or *[DOWN]* to increase or decrease the brightness of all channels together. Pressing briefly results in changes with small increments, press longer for changes with larger increments.

Assigning a DMX address (patching)

Proceed as follows to assign DMX addresses to the dimmer channels:

1. ▶ Press *[MENU]* to open the main menu. Press *[UP]* or *[DOWN]* to select the 'Patching' menu.
2. ▶ Confirm with *[MENU]*.
⇒ The display shows 'Patching Start'.
3. ▶ Use *[UP]* or *[DOWN]* to select between assignment mode 'Start' (channels are automatically addressed consecutively) and 'Independent' (DMX addresses are independent of each other).
Confirm with *[MENU]*.
4. ▶ In 'Start' mode: Use *[UP]* or *[DOWN]* to select the DMX address of channel 1 in a range 1 ... 512.
Confirm with *[MENU]*.
5. ▶ In 'Independent' mode: Use *[UP]* or *[DOWN]* to select between 'All' (all channels get the same DMX address) and 'Single' (each channel can get an individual DMX address).
In 'Independent – All' mode: Use *[UP]* or *[DOWN]* to select the DMX address for all channels in a range 1 ... 512. Confirm with *[MENU]*.

In '*Independent – Single*' mode: Use *[UP]* or *[DOWN]* to first select the channel whose DMX address is to be set. Confirm with '*MENU*'. Then select the DMX address for this channel from a range 1 ... 512. Confirm with *[MENU]* and repeat the procedure for all channels.

6.  Press *[ESC]* to return to the main menu.

Device behaviour on missing DMX signal.

Proceed as follows to specify how the unit behaves when the DMX signal is missing.

- 1.** ➤ Press *[MENU]* to open the main menu. Press *[UP]* or *[DOWN]* to select the 'DMX Fail' menu.
- 2.** ➤ Confirm with *[MENU]*.
⇒ The display shows 'Dmx fail'.
- 3.** ➤ Use *[UP]* or *[DOWN]* to select between options
 - 'LastHold': Last setting is retained
 - 'Analog': The analogue control signal (input *[ANALOG]*) is analysed
 - 'Progr:01-12': The built-in automatic programmes are executedConfirm with *[MENU]*.
- 4.** ➤ In 'Progr:01-12' mode: Use *[UP]* or *[DOWN]* to select the duration of each step (and thus the programme speed) in the range 0.005 s ... 30.0 s.
- 5.** ➤ Press *[ESC]* to return to the main menu.

Setting maximum brightness

Proceed as follows to set the maximum brightness for the dimmer channels:

1. ➤ Press *[MENU]* to open the main menu. Press *[UP]* or *[DOWN]* to select the *'MaxLevel'* menu.
2. ➤ Confirm with *[MENU]*.
⇒ The display shows *'MaxLevel'*.
3. ➤ Use *[UP]* or *[DOWN]* to select between *'All'* (all channels get the same maximum brightness) and *'Single'* (each channel can get an individual maximum brightness).
Confirm with *[MENU]*.
4. ➤ In *'All'* mode: Use *[UP]* or *[DOWN]* to select the maximum brightness for all channels in a range 70 % ... 100 %. Confirm with *[MENU]*.
In *'Independent – Single'* mode: Use *[UP]* or *[DOWN]* to first select the channel whose maximum brightness is to be set. Confirm with *'MENU'*. Then select the maximum brightness for this channel from a range 70 % ... 100 %. Confirm with *[MENU]* and repeat the procedure for all channels.
5. ➤ Press *[ESC]* to return to the main menu.

Setting minimum brightness

Proceed as follows to set the minimum brightness for the dimmer channels:

1. ➤ Press *[MENU]* to open the main menu. Press *[UP]* or *[DOWN]* to select the 'MinLevel' menu.
2. ➤ Confirm with *[MENU]*.
⇒ The display shows 'MinLevel'.
3. ➤ Use *[UP]* or *[DOWN]* to select between 'All' (all channels get the same minimum brightness) and 'Single' (each channel can get an individual minimum brightness).
Confirm with *[MENU]*.
4. ➤ In 'All' mode: Use *[UP]* or *[DOWN]* to select the minimum brightness for all channels in a range 0 % ... 30 %. Confirm with *[MENU]*.

In 'Single' mode: Use *[UP]* or *[DOWN]* to first select the channel whose minimum brightness is to be set. Confirm with 'MENU'. Then select the minimum brightness for this channel from a range 0 % ... 30 %. Confirm with *[MENU]* and repeat the procedure for all channels.
5. ➤ Press *[ESC]* to return to the main menu.

Setting the dimmer curve

Proceed as follows to adjust the dimmer curve of the dimmer channels:

1. ➤ Press *[MENU]* to open the main menu. Press *[UP]* or *[DOWN]* to select the 'Curve' menu.
2. ➤ Confirm with *[MENU]*.
⇒ The display shows 'Curve'.
3. ➤ Use *[UP]* or *[DOWN]* to select between 'All' (all channels get the same dimmer curve) and 'Single' (each channel can get an individual dimmer curve).
Confirm with *[MENU]*.
4. ➤ In 'All' mode: Use *[UP]* or *[DOWN]* to select the dimmer curve from the options:
 - 'Linear'
 - 'S Curve'
 - 'Non Dim'
 - 'Square'


Confirm with *[MENU]*.

In 'Single' mode: Use *[UP]* or *[DOWN]* to first select the channel whose dimmer curve is to be set. Confirm with 'MENU'. Then select the dimmer curve for this channel from the options:

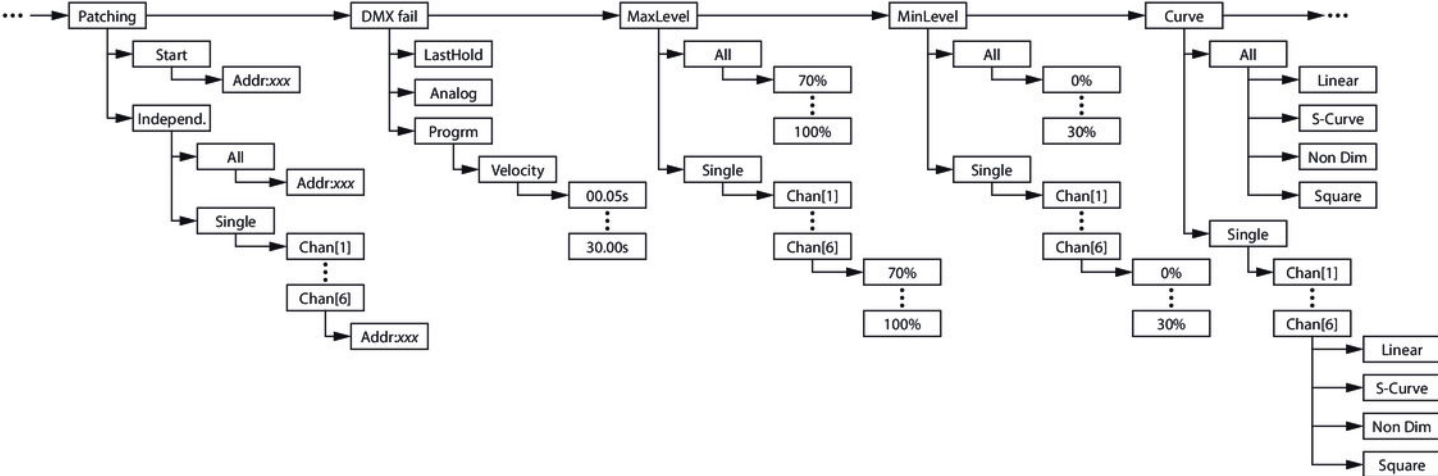
- 'Linear'

- 'S Curve'
- 'Non Dim'
- 'Square'

Confirm with [MENU] and repeat the procedure for all channels.

5.  Press [ESC] to return to the main menu.

Menu overview



7 Technical specifications

Operating supply voltage	One-phase: 230 V ~ 50 Hz Three-phase: 400 V ~ 50 Hz
Output current	One-phase: max. 16 A / channel, 96 A (total) Three-phase: max. 16 A / channel, 32 A (per phase)
Channel fuse	1 × circuit breaker per channel, each 16 A
Signal input	DMX 512 via 3-pin XLR socket
Outputs	6 outlets
Dimensions (W × H × D)	483 mm × 90 mm × 390 mm
Weight	8.6 kg

8 Plug and connection assignments

Introduction

This chapter will help you select the right cables and plugs to connect your valuable equipment so that a perfect light experience is guaranteed.

Please take our tips, because especially in 'Sound & Light' caution is indicated: Even if a plug fits into a socket, the result of an incorrect connection may be a destroyed DMX controller, a short circuit or 'just' a not working light show!

DMX connections



The unit offers a 3-pin XLR socket for DMX output and a 3-pin XLR plug for DMX input. Please refer to the drawing and table below for the pin assignment of a suitable XLR plug.

Pin	Configuration
1	Ground, shielding
2	Signal inverted (DMX-, 'cold signal')
3	Signal (DMX+, 'hot signal')

9 Protecting the environment

Disposal of the packaging material



For the transport and protective packaging, environmentally friendly materials have been chosen that can be supplied to normal recycling.

Ensure that plastic bags, packaging, etc. are properly disposed of.

Do not just dispose of these materials with your normal household waste, but make sure that they are collected for recycling. Please follow the notes and markings on the packaging.

Disposal of your old device



This product is subject to the European Waste Electrical and Electronic Equipment Directive (WEEE) in its currently valid version. Do not dispose with your normal household waste.

Dispose of this device through an approved waste disposal firm or through your local waste facility. When discarding the device, comply with the rules and regulations that apply in your country. If in doubt, consult your local waste disposal facility.

