

Thank you for your purchase of the DB14 AV PRESENTER. The DB14 is a special purpose direct box for applications such as connecting a laptop computer to a sound system. Or where needed, a stereo source signal can be separated, and individual volume controls used for each track such as a rehearsing choir to a music track. It has stereo RCA inputs, a stereo 1/8" (3.5mm), 2 volume controls, RCA and XLR outputs, and uses no power.

**DESCRIPTION**

Right/Left In: RCA and 1/8" input jacks. For connection to a laptop computer, CD player, DVD player, etc.  
 R/L Out: RCA jacks for sending the input signals out to a line level amplification device.  
 Low Z Out: Male XLR jack for sending out a mix of both A and B signals.  
 Right/Left Volume: Controls the level of each input signal independently.  
 GND-LIFT: Ground/Lift switch for disconnecting the ground of the XLR jack from the ground of the DB14b.

**SPECIFICATIONS**

|                     |                                       |
|---------------------|---------------------------------------|
| Max Input Level:    | +20 dB                                |
| Max Output Level:   | +20dB RCA, 0 dB XLR                   |
| Frequency Response: | (Low Z) 50 Hz to 16 kHz               |
| Weight:             | 1 lb (.45 kg)                         |
| Size:               | 2" x 3.5" x 1.25"<br>(5 x 9 x 3.2 cm) |

Owners Manual

**CONNECTION**

Shown below is a connection example for the DB14b. The laptop computer's stereo output is connected to the 3.5mm stereo input of the DB14b via a stereo 3.5mm to 3.5mm cable.

**NOTE:** The Right and Left signal levels are adjusted individually by the Right and Left Volume controls.

The XLR output is connected to a balanced low impedance input on a snake or a mixer balanced input.

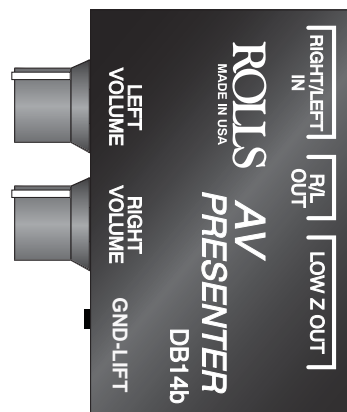
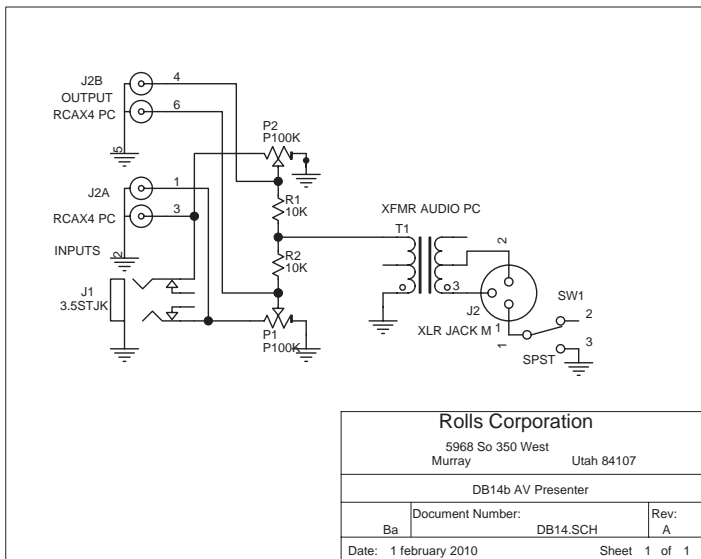
The two stereo RCA outputs may be connected to unbalanced high impedance stereo, or individual right and left mixer inputs.



**WARRANTY**

For information on the Rolls One Year Limited Warranty, and to register this product, visit our website at [www.rolls.com](http://www.rolls.com)

**SCHEMATIC**



ROLLS

DB14

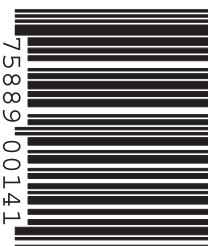
AV PRESENTER

- DB14 AV PRESENTER
- Splits Stereo RCA and stereo 1/8" (3.5mm) signals
  - Individual Right and Left level controls
  - Transformer balanced XLR mono output.

The DB14 is a special purpose direct box for applications where a stereo source signal can be separated, and individual volume controls used for each track such as an AV presentation from a laptop computer, or a rehearsing choir to a music track. It has stereo RCA and 1/8" inputs, 2 volume controls, RCA and XLR outputs, and uses no power.



Rolls Corporation  
02-10



DB14b AV Presenter