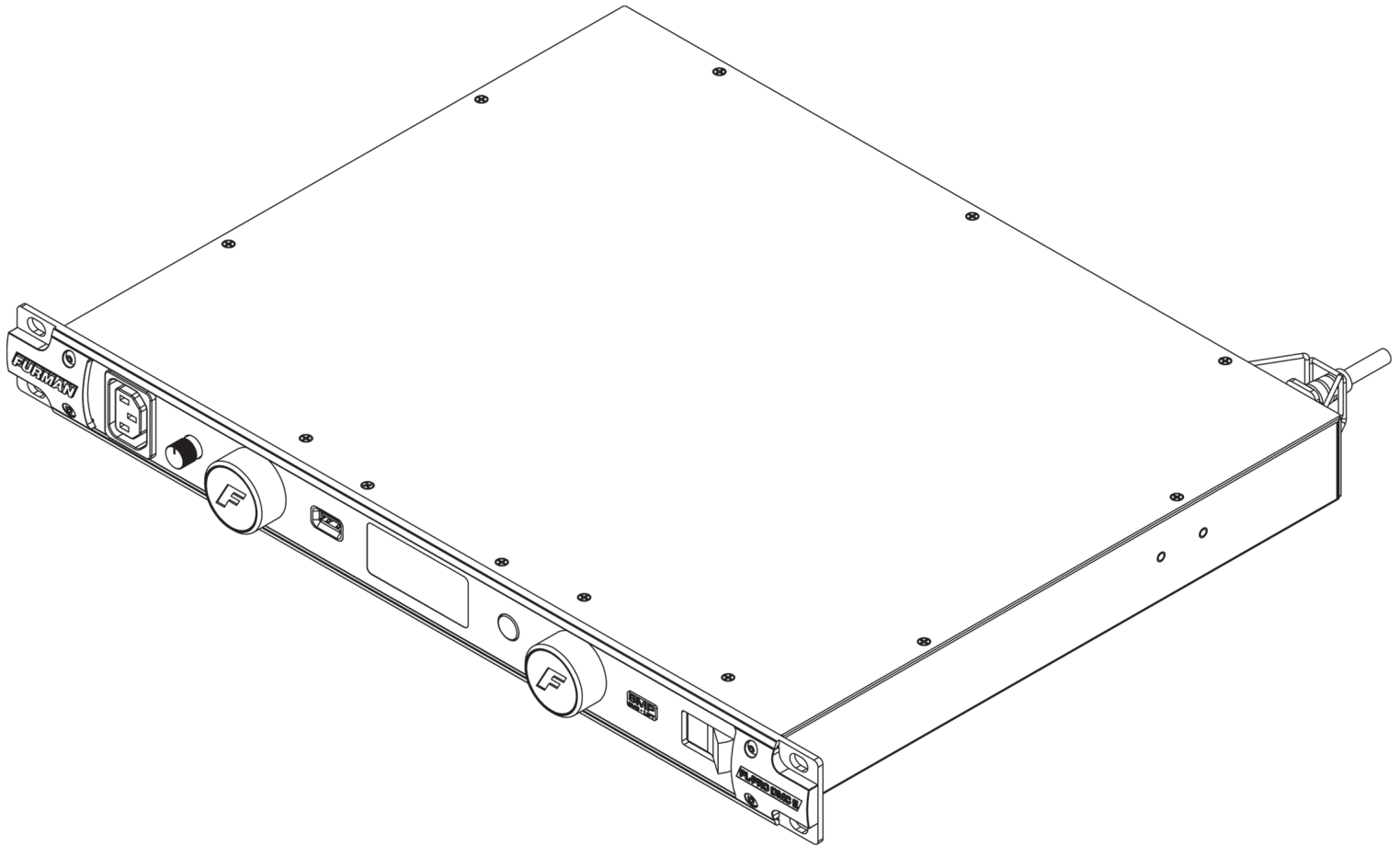


FURMAN[®]

PL-PRO DMC E POWER CONDITIONER

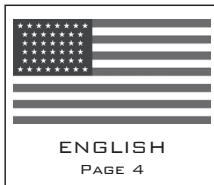
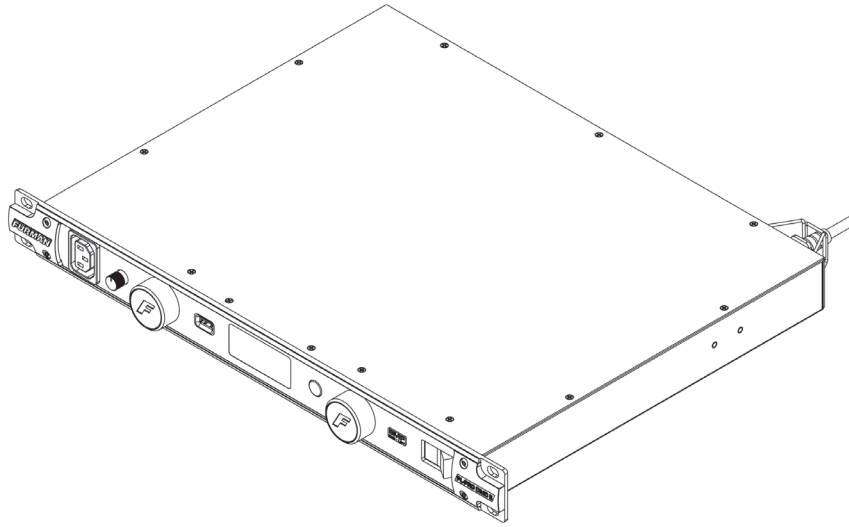
CONDITIONNEUR D'ALIMENTATION PL-PRO DMC E / PL-PRO DMC E ACONDICIONADOR DE ENERGÍA
PL-PRO DMC E NETZSCHUTZGERÄ / ПРОВОДНИК СИЛЫ PL-PRO DMC E



CLASSIC SERIES OWNER'S MANUAL

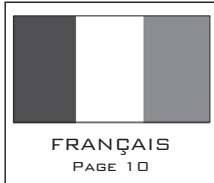
SÉRIE CLASSIQUE GUIDE DE L'UTILISATEUR / SERIE CLÁSICA MANUAL DEL PROPIETARIO
KLASSISCHE REIHE HANDBUCHTEXT / КЛАССИЦИСТИЧЕСКАЯ СЕРИЯ ТЕКСТ ИНСТРУКЦИИ ПО ЭКСПЛУАТАЦИИ

FURMAN®



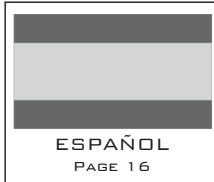
ENGLISH
PAGE 4

PL-PRO DMC E OWNER'S MANUAL



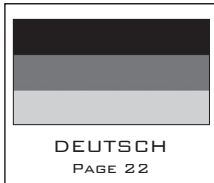
FRANÇAIS
PAGE 10

PL-PRO DMC E GUIDE DE L'UTILISATEUR



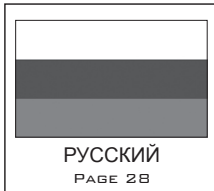
ESPAÑOL
PAGE 16

PL-PRO DMC E MANUAL DEL
PROPIETARIO



DEUTSCH
PAGE 22

PL-PRO DMC E HANDBUCHTEXT



РУССКИЙ
PAGE 28

PL-PRO DMC E ТЕКСТ ИНСТРУКЦИИ ПО
ЭКСПЛУАТАЦИИ

FURMAN'S PL-PRO DMC E FEATURES

- **SMP** (Series Multi-Stage Protection) with **EVS** (Extreme Voltage Shutdown)
- **LiFT** (Linear Filtering Technology) with zero ground contamination
- Switchable/Dimmable true RMS current and laboratory precise digital voltage meter
- Front panel mounted USB charger
- Two **Smooth Track** retractable, long-life, low-heat, front panel LED lights with dimmer-power switch for rack illumination
- BNC connector on the rear panel accepts any standard (12VAC 0.5 amp) gooseneck lamp to illuminate the rear of your rack (Furman GN-I and GN-LED accessory gooseneck lamps are best for this application)
- Ten rear panel AC outlets and one front panel convenience outlet
- 16A (3680 watt) capacity with 16A circuit breaker
- Five year limited warranty

INTRODUCTION

Thank you for purchasing a Furman Classic Series power conditioner, and congratulations on your choice. Classic Series power conditioners feature Furman's revolutionary Series Multi-Stage Protection (**SMP**) circuit, Extreme Voltage Shutdown (**EVS**), and our exclusive Linear Filtering Technology (**LiFT**). Together, these technologies comprise precisely what our customers have come to expect from Furman - uncompromised AC protection and purification. Our Classic Series has been precisely engineered to exceed the critical demands of audio/video professionals, contractors, broadcasters, and musicians alike.

SMP (SERIES MULTI-STAGE PROTECTION)

Furman's SMP surge suppression virtually eliminates service calls and costly "down time". Traditional surge suppression circuits sacrifice themselves when exposed to multiple transient voltage spikes, requiring the dismantling of your system and repair of your surge suppressor. Not so with Furman's SMP. Damaging transient voltages are safely absorbed, clamped, and dissipated. Your connected equipment is protected, while your Furman protects itself!

Unique to Furman's SMP is its unparalleled clamping voltage, defined as the amount of voltage that is allowed to pass through to your equipment when the protection device is subjected to a transient surge or spike. While other designs offer clamping voltages that are well above 600 Vpk, Furman's SMP clamps at 376 Vpk, (266 VAC RMS) even when tested with multiple 6000 Vpk - 3000 amp surges! This unprecedented level of protection is only available with Furman's SMP technology.

EVS (EXTREME VOLTAGE SHUTDOWN)

Furman's trusted over-voltage (EVS) circuitry protects against prolonged overvoltage conditions, such as accidental connections to 330+ VAC, or an intermittent neutral. It does so by monitoring the incoming voltage and, when an unsafe condition is detected, triggering a relay which shuts off the incoming power until the overvoltage condition is corrected and the power switch is reset.

LiFT (LINEAR FILTERING TECHNOLOGY)

Unfortunately, traditional AC power conditioners have been designed for unrealistic laboratory conditions. Prior technologies, whether multiple-pole or conventional series-mode filters, could actually harm audio and video performance more than they help, due to the resonant peaking of their antiquated, non-linear designs. Under certain conditions, these designs can actually add more than 10 dB of noise to the incoming AC line! Worse still, lost digital data, the need to reboot digital presets, or destruction of sensitive digital converters are frequently caused by excessive voltage spikes and AC noise contaminating the equipment ground. Furman's LiFT takes a different approach, ensuring optimal performance through linear AC noise filtering with no ground contamination.

PL-PRO DMC E ADDITIONAL FEATURES

The PL-PRO DMC E features **Smooth Track** LED rack lights which produce virtually no heat and provide an extremely long lifespan. A dimmer control for the rack lights allows the user to adjust the level of illumination (by rotating clockwise/counterclockwise) or switch the lamps on and off (by pushing the knob in). A rear mounted BNC jack accepts any standard (12VAC 0.5 amp) gooseneck lamp for rear rack illumination.

Additionally, the PL-PRO DMC E offers a switchable laboratory precision digital meter that displays incoming voltage in 1-volt steps or true RMS current in 0.1amp steps. The voltmeter's accuracy is ± 3.0 volts. This meter also features a tri-color voltage range indicator. This assures the user that the voltage in or out of a safe range, even when they are too far away to accurately read the displayed voltage.

The PL-PRO DMC E is equipped with a front panel convenience AC outlet as well as ten rear panel AC outlets. The PL-PRO DMC E's 16 amp (3680 watt) capacity is supplied from a robust 1.5m., 2.5 meter detachable AC cord with security clip (IEC C-19 to Schuko is standard, other plug end AC cords are available as an accessory option).

SAFETY INFORMATION

To obtain best results from your Furman Classic Series power conditioner, please read this manual carefully before using.

WARNING

To reduce the risk of electrical shock, do not expose this equipment to rain or moisture. Dangerous high voltages are present inside the enclosure. Do not remove the cover. Refer servicing to qualified personnel only. The lightning flash with an arrowhead symbol is intended to alert the user to the presence of uninsulated dangerous voltage within the product's enclosure that may be of sufficient magnitude to constitute a risk of electric shock.

IMPORTANT SAFETY INSTRUCTIONS

(Please read prior to installation)

1. Please read and observe all safety and operating instructions before installing your Furman Classic Series power conditioner. Retain these instructions for future reference.
2. Your Classic Series conditioner should not be used near water – for example, near a bathtub, washbowl, kitchen sink, laundry tub, in a wet basement, or near a swimming pool.
3. Do not place your Classic Series conditioner near high heat sources such as radiators, heat registers, stoves, or other appliances that produce extreme heat.
4. The Furman PL-PRO DMC E should only be connected to a 220-240 VAC, 50Hz/60Hz, 16 amp grounded electrical outlet. Do not defeat the ground or change polarization of the power plug.
5. Route the AC power cord and other cables so that they are not likely to be walked on, tripped over, or stressed. Pay particular attention to the condition of the cords and cables at the plugs and at the point where they exit your Furman conditioner. To prevent risk of fire or injury, damaged cords and cables should be replaced immediately.
6. Clean your Furman conditioner with a damp cloth only. Do not use solvents or abrasive cleaners. Never pour liquid on or into the unit.
7. Your Furman conditioner should be serviced by qualified service personnel when:
 - *The power supply cord or the plug has been frayed, kinked, or cut.*
 - *Objects have fallen or liquid has been spilled into the unit.*
 - *The unit has been exposed to rain or extreme moisture.*
 - *The unit does not appear to operate normally.*
 - *The "Protection OK" indicator is not lit.*
 - *The unit has been dropped, or the enclosure has been damaged.*
 - *The retractable LED lights have failed.*
8. Your Furman conditioner requires that a safety ground be present for proper operation. Any attempt to operate the unit without a safety ground is considered improper operation and could invalidate the warranty.
9. Do not attempt to service your Furman conditioner beyond what is described in this manual. All other servicing should be referred to qualified service personnel.

OPERATION

RETRACTABLE SMOOTH TRACK RACK LIGHTS, REAR PANEL LAMP AND DIMMER CONTROL:

The Furman Classic Series power conditioners utilize a dimmer control for the two retractable Smooth Track light tubes. The dimmer knob controls the brightness of both front panel lamps. Turn it clockwise to increase brightness; turn it counterclockwise to decrease brightness. The knob is also a momentary power switch for the lamps: push it in to turn the lamps on or off. When the lamps are not in use, we recommend turning the dimmer fully counterclockwise, or pushing the knob to the off setting to maximize the life of the LED's. Whether the light tubes are fully extended or flush with the front panel, there will be no appreciable heat regardless of the dimmer setting due to the efficiency of our full light spectrum LED's.

All Furman Classic Series Conditioners feature a rear rack BNC socket which will accept any 12 VAC (0.5A) gooseneck lamp assembly (such as the Furman GN-LED or GN-I). Simply slide the BNC plug over the socket and rotate clockwise until the connector snaps into the locked position. The rear rack lamp can be powered on or off with the rear light switch which is adjacent to the BNC connector.

EXTREME VOLTAGE SHUTDOWN (EVS) INDICATOR:

The Extreme Voltage LED indicator is normally off. It is located within the meter lens assembly directly above the blue voltage / current LED's, though during normal use it will NOT be visible.

The Extreme Voltage indicator monitors a hazard common in the entertainment, remote broadcast, and AV contractor industries: wiring faults. For example: accidental connection to 330VAC where 220-240VAC is expected, or an open series neutral from a 208 to 330VAC electrical service. The Furman EVS circuit senses voltages that are so high that operation would be impossible and shuts the power down before damage can occur.

Upon initially applying power to these units, the Extreme Voltage indicator will light and a red "Extreme Voltage" label will appear at the top of the meter lens if the input voltage is above the extreme voltage cutoff.

NOTE: If the mains power is above the high cutoff voltage and has caused the EVS circuit to remove power from the PL-PRO DMC E's outlets, it cannot restore power without the operator manually turning the unit off, then on again. Avoid turning the unit back on without first checking the source of the problem and changing the AC source (if necessary).

PROTECTION OK INDICATOR:

Although the Furman SMP circuit assures virtually maintenance-free protection from transient voltage spikes and surges, nature has a way of occasionally creating electrical forces that are beyond the capabilities of ANY surge suppression device to absorb without some degree of damage (such as a direct lightning hit in an outdoor application). In the rare instance that this occurs, the green "Protection OK" LED indicator located at the bottom right of the meter lens assembly will dim.

NOTE: Furman's Classic Series power conditioners do not compensate for high or low AC line voltage. If you frequently move your rack to different locations, derive power from generators, use very long extension cords, travel internationally, or are in an area prone to brownouts, you may benefit from the use of one of Furman's AC Voltage Regulators.

SWITCHABLE DIGITAL VOLTAGE AND TRUE RMS CURRENT METER:

Furman's laboratory precision AC digital voltmeter continually measures incoming voltages within a typical tolerance of +/-1.5VAC [+/-3.0VAC]. It should be noted that the voltage reading is incoming.

Furman's laboratory precision True RMS digital current meter continually measures the total circuit AC load, within a typical tolerance of +/- 0.5 amp. Because these meters feature true RMS technology, the current readings are accurate regardless of load conditions (capacitive, inductive, or resistive).

To switch between voltage and current, press the button labeled "Line Voltage/Current". Hold this button down for two seconds to dim the brightness of the display.

VOLTAGE RANGE INDICATOR:

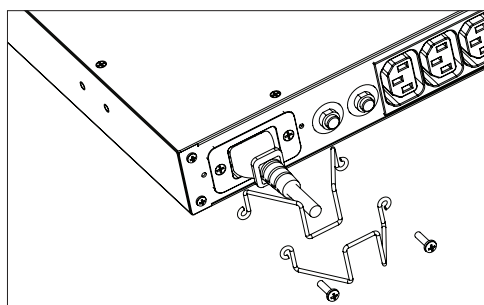
This indicator is located in the lower left corner of the digital volt / amp meter lens assembly. When AC voltage is within 5 volts (+/-) of a nominal 216 to 244 VAC, this tri-color indicator will be green (optimal). However, if the voltage is between 205 to 215VAC or between 245 to 255 VAC, the indicator will turn amber (caution - not optimal). If the incoming voltage is in an extreme range (below 205 or above 255), the indicator will turn red. This range is far from optimal, and may be potentially damaging to some equipment.

USB CHARGER:

The Furman PL-PRO DMC E's USB charger provides an easy way to recharge many popular electronic accessories as well as cellular communication devices by simply plugging the re-charge cord into the front panel socket. Please note that as there are currently many standards for USB, some devices may not be compatible with our charger.

INLET AC CORD SECURITY CLAMP:

The Furman PL-PRO DMC E's detachable AC cord is supplied with a two piece security clamp. The two piece chrome wire security clamp (located in the AC cord bag) is easily attached to the threaded holes on either side of the AC inlet, and can be installed in seconds with a standard Phillips screw driver.



TROUBLESHOOTING

1.) Symptom: No power to the AC outlets.

Possible Cause: The circuit breaker (located on the rear panel - adjacent to the AC inlet cord) has tripped due to excessive load.

Action Needed: Unplug one piece of equipment from the Furman conditioner and push the round reset tab into the circuit breaker bezel.

2.) Symptom: No power to the AC outlets, “Protection OK” indicator is not lit.

Possible Cause: Either the AC outlet to which your Furman conditioner is connected has no AC voltage present, or the protection circuitry in your unit has been compromised.

Action Needed: Plug the Furman conditioner into an AC receptacle where a nominal 220-240 VAC is present. If the problem persists, contact Furman for service.

3.) Symptom: Extreme Voltage (EVS) indicator lit.

Possible Cause: Input voltage is above 275V causing power to the unit’s outlets to be shut down. Additionally, if the voltage is below 175V at turn on, the unit will not allow AC voltage to reach the outlets.

Action Needed: Correct the line voltage, then turn the Furman conditioner on. If the voltage present is below 215 VAC or above 245 VAC, consider installing a Furman voltage regulator.

SERVICE

If you require technical support or equipment service, please contact the Furman Service Department at 707-763-1010. You may also email techsupport@furmansound.com.

All equipment being returned for repair must have a Return Authorization (RA) number. To get an RA number, please call the Furman Customer Service Department.

Before returning any equipment for repair, please be sure that it is adequately packed and cushioned against damage in shipment, and that it is insured. We suggest that you save the original packaging and use it to ship the product for servicing. Also, please provide a note giving your name, address, phone number, RA number and a description of the problem.

5 YEAR LIMITED WARRANTY

SAVE YOUR SALES RECEIPT! The receipt is your proof of purchase and confirms the product was purchased at an authorized Furman dealer. It will need to be submitted to Furman in order to process any warranty claims. Furman, a brand of Panamax Inc., warrants its PL-PRO DMC E (the “Product”) as follows: Furman warrants to the original purchaser of the product that the product sold hereunder will be free from defects in material and workmanship for a period of five years from the date of purchase. If the product does not conform to this Limited Warranty during the warranty period (as herein above specified), purchaser shall notify Furman of the claimed defects via email (techsupport@furmansound.com). If the defects are of such type and nature as to be covered by this warranty, Furman shall authorize purchaser to return the product to Furman headquarters. Warranty claims **MUST** be accompanied by a copy of the original purchase invoice or receipt showing the purchase date. Shipping charges to Furman headquarters

must be prepaid by the purchaser of the product. Furman shall, at its own expense, furnish a replacement product or, at Furman's option, repair the defective product. Return shipping charges back to purchaser will be paid by Furman. **THE FOREGOING IS IN LIEU OF ALL OTHER WARRANTIES, EXPRESS OR IMPLIED, INCLUDING BUT NOT LIMITED TO THE IMPLIED WARRANTIES OF MERCHANTABILITY AND FITNESS FOR A PARTICULAR PURPOSE.** Furman does not warrant against damages or defects arising out of improper use or abnormal handling of the product, or against defects or damages arising from improper installation. This warranty shall be cancelable by Furman at its sole discretion if the product is modified in any way without written authorization from Furman or Panamax Inc. This warranty also does not apply to products upon which repairs have been affected or attempted by persons other than pursuant to written authorization by Furman or Panamax Inc. **THIS WARRANTY IS EXCLUSIVE.** The sole and exclusive obligation of Furman shall be to repair or replace the defective product in the manner and for the period provided above. Furman shall not have any other obligation with respect to the products or any part thereof, whether based on contract, tort, strict liability or otherwise. Under no circumstances, whether based on this Limited Warranty or otherwise, shall Furman be liable for incidental, special, or consequential damages. This Limited Warranty states the entire obligation of Furman with respect to the product. If any part of this Limited Warranty is determined to be void or illegal, the remainder shall remain in full force and effect.

SPECIFICATIONS

CURRENT RATING:

16 amps

OPERATING VOLTAGE:

180 to 274 VAC

OVER VOLTAGE SHUTDOWN:

275 VAC typically

SPIKE PROTECTION MODES:

Line to neutral, zero ground leakage

SPIKE CLAMPING VOLTAGE:

376 VAC peak @ 3,000 Amps, 266 VAC RMS

RESPONSE TIME:

1 nanosecond

MAXIMUM SURGE CURRENT:

6,500 amps

NOISE ATTENUATION:10 dB @ 10 kHz, 40 dB @ 100 kHz, 50 dB @ 500 kHz
Linear attenuation curve from 0.05 - 100 Ohms line impedance**DIMENSIONS:**

44.45mm H x 482.6mm W x 266.7mm D.

WEIGHT:

5.5 kg

CONSTRUCTION:

Steel chassis, 3mm brushed and black anodized aluminum front panel; glass epoxy printed circuit boards

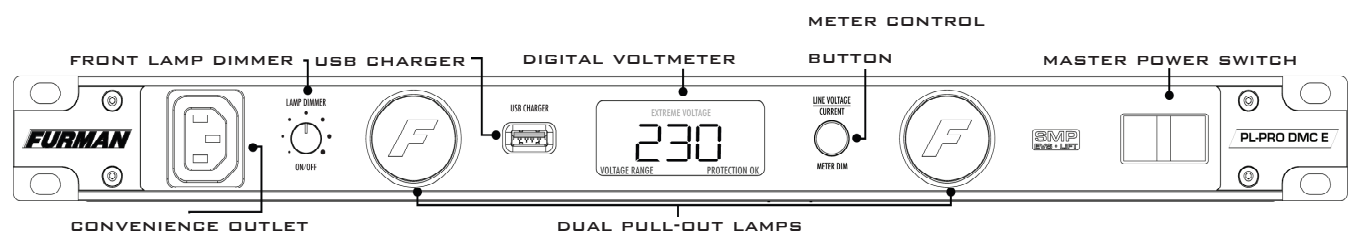
POWER CONSUMPTION:

25 VA

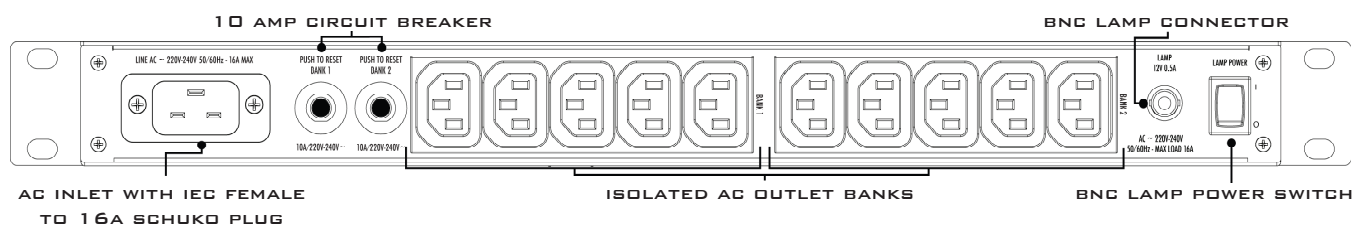
SAFETY AGENCY LISTING:

CE

PL-PRO DMC E FRONT PANEL



PL-PRO DMC E REAR PANEL



CARACTÉRISTIQUES DU MODULE FILTRE PL-PRO DMC E DE FURMAN

- Protection contre les surtensions **SMP** (Series Multi-Stage Protection) et **EVS** (Extreme Voltage Shutdown)
- Filtrage des parasites **LiFT** (Linear Filtering Technology) sans contamination de la mise à terre
- Voltmètre numérique précis commutable de courant RMS avec gradateur
- Prise de chargeur USB sur le panneau avant
- Deux lampes DEL rétractables **Smooth Track** à longue durée et à faible chaleur sur le panneau avant, avec gradateur, pour éclairer le bâti
- Prise BNC sur le panneau arrière accommodant n'importe quelle lampe à col de cygne standard (12 VCA 0,5 amp) pour éclairer l'arrière de votre bâti (les lampes à col de cygne GN-I et GN-LED de Furman se prêtent parfaitement à cette tâche)
- Une prise de courant sur le panneau avant et de dix prises sur le panneau arrière
- Capacité de 16A (3680 watts) avec disjoncteur de 16A
- Garantie limitée de cinq ans

INTRODUCTION

Nous vous remercions d'avoir acheté un module filtre de la série Classic de Furman et nous vous félicitons pour votre choix. Les modules filtres de la série Classic sont munis des circuits de protection contre les surtensions révolutionnaires de Furman, **SMP** (Series Multi-Stage Protection) et **EVS** (Extreme Voltage Shutdown), et de notre technologie exclusive de filtrage des parasites **LiFT** (Linear Filtering Technology). Ces technologies combinées incarnent exactement ce à quoi nos clients s'attendent de Furman, soit une protection et une purification du courant AC sans compromis. Notre série Classic a été conçue précisément pour excéder les exigences pointues des professionnels de l'audio-vidéo, des entrepreneurs, des diffuseurs et des musiciens.

SMP (SERIES MULTI-STAGE PROTECTION)

La technologie SMP de Furman élimine presque entièrement les appels de service et les coûteuses minutes de pannes. Les circuits de protections traditionnels contre les surtensions doivent être réparés lorsqu'exposés à des pointes de tension transitoires, impliquant le démantèlement de votre système. Ce n'est pas le cas avec le circuit SMP de Furman. Les voltages transitoires nuisibles sont absorbés, contraints et dissipés de façon sécuritaire. Votre équipement branché est protégé, tandis que votre appareil Furman se protège lui-même!

Ce qui différencie le circuit SMP de Furman est sa contrainte de voltage imbattable, soit le niveau de voltage qui est transmis à votre équipement quand le circuit de protection est soumis une pointe de tension transitoire. Tandis que d'autres circuits de protection offrent une contrainte de voltage se situant bien au-delà de 600 Vpk, le circuit SMP de Furman amorce sa contrainte à 376 Vpk (266 VCA RMS), même lorsque testé avec des surtensions à répétition de 6000 Vpk — 3000 A! Ce niveau de protection sans précédent n'est offert qu'avec la technologie SMP de Furman.

EVS (EXTREME VOLTAGE SHUTDOWN)

Le circuit de protection contre les surtensions EVS éprouvé protège contre les surtensions prolongées, comme un branchement accidentel dans une prise 330+ VCA, ou à un neutre intermittent. Pour y arriver, il surveille la tension électrique entrante et, lorsqu'il détecte une situation dangereuse, déclenche un relai qui coupe l'alimentation jusqu'à ce que la surtension soit éliminée et que l'alimentation soit rétablie.

LiFT (LINEAR FILTERING TECHNOLOGY)

Malheureusement, les modules filtres CA traditionnels ont été conçus pour être utilisés dans des conditions de laboratoire non réalistes. Les vieilles technologies, que ce soit des filtres à pôles multiples de modes conventionnels, pouvaient en vérité nuire au son et à l'image plus qu'elles n'aidaient à cause des pointes résonnantes issues d'une conception archaïque non linéaire. Dans certaines conditions, ces technologies peuvent en fait ajouter plus de 10 dB de bruit à l'alimentation en CA! Pire encore, les pointes de tension excessives et la contamination de la mise à terre par le bruit issu de l'alimentation en CA peuvent mener à la perte de données, à la nécessité de redémarrer les préreglages numériques ou à la destruction de convertisseurs numériques sensibles. La technologie LiFT de Furman emprunte une voie différente, assurant une performance optimale avec un filtrage linéaire du bruit issu de l'alimentation en CA, sans contamination de la mise à terre.

CARACTÉRISTIQUES SUPPLÉMENTAIRES DU PL-PRO DMC E

Le PL-PRO DMC E est muni de lampes de bâti à DEL **Smooth Track** qui ne produisent pratiquement aucune chaleur et qui sont de très longue durée. Un gradateur dédié aux lampes de bâti permet à l'utilisateur d'ajuster le degré d'éclairage désiré (en tournant le gradateur vers la droite ou vers la gauche) ou d'éteindre les lampes (en appuyant sur le gradateur). À l'arrière de l'appareil, un connecteur BNC accommode une lampe à col de cygne standard (12 VCA 0.5 A) pour éclairer l'arrière du bâti.

De plus, le PL-PRO DMC E est muni d'un ampèremètre et d'un voltmètre à affichage numérique indiquant la tension à l'entrée (étapes de 1 volt) et le courant consommé (étapes de 0,1 ampère). La précision du voltmètre est de $\pm 3,0$ volts. Il possède également un indicateur de tension tricolore et permet à l'utilisateur de savoir si le niveau de tension se situe ou non dans une gamme sûre, même à partir d'une distance ne permettant pas de lire avec précision la tension affichée.

Le PL-PRO DMCE est muni d'une prise de courant sur le panneau avant et de dix prises sur le panneau arrière. La capacité de 16 ampères (3680 watts) du PL-PRO DMCE est rendue possible grâce à un cordon d'alimentation détachable durable de 1,5 x 3 mil et de 2,5 m accompagné d'une pince de sécurité (le cordon IEC C-19 Schuko est standard, mais d'autres cordons sont disponibles comme accessoires optionnels).

CONSIGNES DE SÉCURITÉ

Afin d'obtenir les meilleurs résultats possible avec votre module filtre de la série Classic de Furman, veuillez lire ce guide attentivement avant l'utilisation.

AVERTISSEMENT

Afin de réduire les risques de choc électrique, veuillez ne pas exposer cet équipement à la pluie ou à l'humidité. Le boîtier comporte des niveaux de tensions élevés. Ne retirez pas le couvercle. Confiez toujours l'entretien à des techniciens qualifiés. Le symbole représentant un éclair avec une tête de flèche indique qu'il y a présence de tension non isolée dans le boîtier qui, dans le cas où sa magnitude est suffisante, constitue un risque de choc électrique.

IMPORTANTES CONSIGNES DE SÉCURITÉ

(Veuillez lire avant l'installation)

1. Veuillez lire et respecter toutes les consignes de sécurité et le mode d'emploi avant d'installer votre module filtre de la série Classic de Furman. Conservez ces documents pour consultation ultérieure.
2. Votre module filtre de la série Classic ne devrait pas être utilisé près d'une source d'eau, comme un bain, une cuvette, un évier, une cuve de lessivage, un sous-sol mouillé ou une piscine.
3. Ne placez pas votre module filtre de la série Classic près d'une source de grande chaleur, comme un radiateur, une bouche à air chaud, un four ou d'autres appareils qui produisent beaucoup de chaleur.
4. Le PL-PRO DMC E de Furman devrait être branché seulement à une prise de courant avec mise à terre de 220-240 VCA, 50Hz/60 Hz, 16 A. Ne retirez pas la mise à terre et ne changez pas la polarisation de la fiche d'alimentation.
5. Placez le cordon d'alimentation et tous les autres câbles afin d'éviter tout piétinement, trébuchement ou tension excessive. Portez une attention particulière à l'état des cordons et des câbles et à l'endroit d'où ils sortent de votre module filtre Furman. Pour minimiser les risques d'incendie ou de blessures, remplacez immédiatement les cordons et les câbles endommagés.
6. Nettoyez votre module filtre Furman uniquement avec un linge humide. N'utilisez pas de solvant ou de nettoyant abrasifs. Ne versez jamais de liquides sur ou dans l'appareil.
7. Faites vérifier votre module filtre Furman par un technicien qualifié lorsque :
 - Le cordon ou la fiche d'alimentation est usé, entortillé ou coupé.
 - Des objets sont tombés sur l'appareil ou des liquides ont été versés dedans.
 - L'appareil a été exposé à la pluie ou à de l'humidité extrême.

- *L'appareil semble ne pas fonctionner normalement.*
- *L'indicateur « Protection OK » n'est pas allumé.*
- *L'appareil est tombé au sol ou le boîtier a été endommagé.*
- *Les lampes DEL rétractables ne fonctionnent plus.*

8. Une mise à terre de sûreté doit être présente pour que votre module filtre Furman fonctionne correctement. Toute utilisation de l'appareil sans mise à terre de sûreté sera considérée comme irrégulière et pourrait invalider la garantie.
9. N'essayez pas de réparer votre module filtre Furman au-delà de ce qui est expliqué dans ce guide. Toute autre réparation devrait être confiée à un technicien qualifié.

OPÉRATION

LAMPES SMOOTH TRACK RÉTRACTABLES ÉCLAIRANT LE BÂTI, LAMPE SUR LE PANNEAU ARRIÈRE ET GRADATEUR :

Les modules filtres de la série Classic de Furman sont munis d'un gradateur pour régler les deux lampes Smooth Track rétractables. Le bouton gradateur règle la luminosité des deux lampes du panneau avant. Augmentez la luminosité en le tournant vers la droite et diminuez la luminosité en le tournant vers la gauche. Le bouton agit également en tant qu'interrupteur pour les lampes; il s'agit d'appuyer dessus pour allumer ou éteindre les lampes. Lorsque les lampes ne sont pas nécessaires, il est recommandé de tourner le gradateur complètement vers la gauche ou simplement de les éteindre pour maximiser la durée de vie des lampes DEL. Que les lampes soient toutes sorties ou entièrement rétractées, elles ne dégageront pas de chaleur excessive, peu importe le niveau de luminosité choisi, grâce à l'efficacité de nos lampes DEL.

Tous les modules filtres de la série Classic de Furman sont munis d'une prise BNC à l'arrière pour y brancher une lampe à col de cygne de 12 VCA (0.5 A) permettant d'éclairer l'arrière du bâti (comme les lampes GN-LED et GN-I de Furman). Il s'agit simplement d'insérer une lampe BNC dans la prise et de la visser jusqu'à ce qu'elle soit bien fixée. La lampe s'allume à l'aide de l'interrupteur situé près de la douille BNC.

INDICATEUR DE PROTECTION CONTRE LES SURTENSIONS EXTRÊMES (EVS) :

L'indicateur DEL Extreme Voltage est normalement éteint. Il est situé dans la section munie du vumètre, directement au-dessus du voyant DEL bleu indicatif de la tension et du courant. Lors d'une utilisation normale, il ne sera pas visible.

L'indicateur Extreme Voltage contrôle un risque commun dans les industries du divertissement, de l'émission en extérieur et de l'audio-vidéo, soit les défauts de câblage. Par exemple, s'il y avait une connexion accidentelle dans du 330 VCA tandis que 220-240 VCA était requis, ou une série de connexions neutres 330 VCA, le circuit de protection EVS de Furman détecterait les tensions trop élevées et couperait l'alimentation avant qu'il y ait des dommages.

Dès la mise en marche de ces appareils, l'indicateur de surtension extrême s'allumera et les lettres « EVS » s'afficheront en rouge en haut de l'afficheur du vumètre si le niveau de tension de l'alimentation dépasse le niveau de surtension maximal.

NOTE : Si l'alimentation globale excède le niveau de coupure de tension extrême et a poussé le circuit de protection EVS à cesser d'alimenter les prises du PL-PRO DMC E, l'alimentation régulière ne peut pas être rétablie sans que l'opérateur éteigne manuellement le module et le rallume. Ne rallumez pas le module avant d'avoir cerné l'origine du problème et d'avoir changé la source d'alimentation électrique (si nécessaire).

INDICATEUR « PROTECTION OK » :

Bien que le circuit SMP de Furman assure une protection presque entièrement autonome contre les pointes de surtension transitoires, la nature trouve parfois le moyen de produire des forces électriques qui dépassent les capacités d'absorption de TOUT circuit de protection contre les surtensions, causant des dommages (comme un éclair qui frappe directement un site extérieur). Dans les rares cas où cela surviendra, le voyant DEL vert « Protection OK », situé dans le coin inférieur droit de l'afficheur du vumètre, s'affaiblira. sera compromis et l'appareil devra être envoyé à Furman pour être réparé.

NOTE : Les modules filtres de la série Classic de Furman ne compensent pas les fluctuations de la tension de ligne à CA. Si vous déplacez souvent votre bâti d'un endroit à un autre, tirez votre alimentation de génératrices, utilisez de très longues rallonges, voyagez à l'international ou vivez dans une région encline aux baisses de tension, vous pourriez tirer profit d'un régulateur de tension CA Furman.

AMPÈREMÈTRE ET VOLTMÈTRE À AFFICHAGE NUMÉRIQUE POUR INDICHER LA TENSION À L'ENTRÉE ET LE COURANT CONSOMMÉ :

Le voltmètre numérique CA de précision de Furman mesure continuellement la tension à l'entrée selon une tolérance typique de +/-

3,0 VCA. Notez que la lecture de la tension est entrante.

Le voltmètre de précision indique le véritable niveau de courant RMS et mesure continuellement la charge CA totale du circuit, selon une tolérance typique de +/- 0,5 A. Parce que ces multimètres possèdent la technologie RMS véritable, les niveaux de courant indiqués sont précis, peu importe les conditions de charge (capacité, induction, ou résistance).

Pour passer de la tension au courant, appuyez sur le bouton nommé « Line Voltage/Current ». Pour baisser l'intensité de l'éclairage de l'afficheur, appuyez sur ce même bouton pendant deux secondes.

INDICATEUR DE LA GAMME DE TENSION :

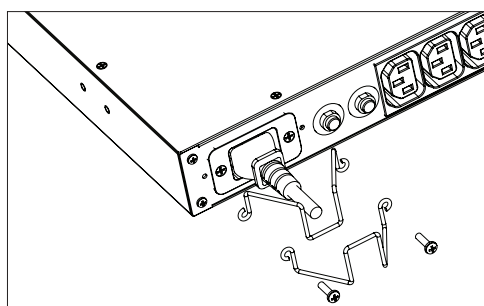
Cet indicateur est situé dans le coin inférieur gauche de l'afficheur de tension et de courant numérique. Lorsque la tension CA se situe à moins de 5 volts (+/-) d'une source nominale de 216 à 244 VCA, cet indicateur tricolore sera vert (tension optimale). Toutefois, si la tension se situe entre 205 à 215 VCA ou entre 245 à 255 VCA, l'indicateur deviendra ambré (attention, tension non optimale). Si le niveau de la tension de l'alimentation se situe dans une gamme extrême (en dessous de 205 ou au-dessus de 255), l'indicateur deviendra rouge. Cette gamme est loin d'être optimale et pourrait potentiellement endommager certains équipements.

CHARGEUR USB :

Le chargeur USB du PL-PRO DMC E de Furman constitue une façon pratique de recharger beaucoup d'accessoires électroniques populaires et des appareils de communication cellulaire simplement en branchant le cordon de chargement dans la prise située sur le panneau avant. Veuillez prendre note qu'il y a actuellement plusieurs standards USB, donc certains appareils pourraient ne pas être compatibles avec notre chargeur.

PINCE DE SÉCURITÉ POUR CORDON D'ALIMENTATION :

Le cordon d'alimentation détachable du PL-PRO DMC E de Furman est accompagné d'une pince de sécurité. La pince de sécurité composée de deux fils chromés (que vous trouverez dans le sac contenant le cordon d'alimentation) se fixe facilement aux trous filetés de chaque côté de la prise de courant avec un tournevis Phillips standard.



DÉPANNAGE

- 1) Symptôme :** Les prises de courant ne reçoivent pas d'alimentation électrique.
- Cause possible :** Le disjoncteur (situé sur le panneau arrière, adjacent au cordon d'alimentation) a été déclenché à cause d'une surtension.
- Solution :** Débranchez une portion d'équipement qui est branché au module filtre Furman et appuyez sur le bouton de remise en circuit dans la lunette du disjoncteur.
- 2) Symptôme :** Les prises de courant ne reçoivent pas d'alimentation électrique et l'indicateur « Protection OK » n'est pas allumé.
- Cause possible :** Il n'y a pas de courant provenant de la prise dans laquelle votre module filtre Furman est branché, ou le circuit de protection de votre appareil a été compromis.
- Solution :** Branchez le module filtre Furman dans une prise où il y a un courant de 220-240 VCA. Si le problème persiste, contactez Furman pour obtenir de l'aide technique.
- 3) Symptôme :** L'indicateur de surtension extrême (EVS) est allumé.

Cause possible : L'alimentation de l'appareil dépasse 275V, faisant en sorte que les prises du module soient éteintes. De plus, si le niveau de tension est sous 175V lors de la mise en marche, l'appareil ne transmettra pas le courant à ses prises.

Solution : Corrigez la tension de l'alimentation électrique et mettez en marche le module filtre Furman. Si le niveau de tension présent se situe sous 215 VCA ou au-dessus de 245 VCA, songez à installer un régu lateur de tension Furman.

SERVICE À LA CLIENTÈLE

Si vous avez besoin de soutien technique ou d'une réparation, veuillez contacter le Département du service à la clientèle de Furman au 707-763-1010. Vous pouvez également communiquer avec nous par courriel à techsupport@furmansound.com.

Tout équipement qui nous est envoyé pour être réparé doit avoir un numéro d'autorisation de retour. Pour obtenir ce numéro, téléphonez au Département du service à la clientèle de Furman.

Avant de nous faire parvenir un appareil, assurez-vous qu'il soit bien emballé et protégé contre les chocs lors du transport et faites assurer le colis. Nous suggérons que vous gardiez l'emballage original et que vous l'utilisiez pour envoyer l'appareil. Veuillez également inclure une note contenant votre nom, votre adresse, vos numéros de téléphone et d'autorisation de retour, et une description du problème.

GARANTIE LIMITÉE DE 5 ANS

CONSERVEZ VOS REÇUS D'ACHAT! Le reçu constitue votre preuve d'achat et confirme que le produit a été acheté chez un distributeur Furman agréé. Vous devrez l'envoyer à Furman pour toute réclamation. Furman, une marque de Panamax Inc., garantit son PL-PRO DMC E (le « Produit ») comme suit : Furman garantit à l'acheteur original du produit que le produit vendu aux termes des présentes ne possède aucun défaut matériel et de fabrication pour une période de cinq ans à partir de la date d'achat. Si le produit n'est pas conforme à cette garantie limitée durant la période de garantie (telle que spécifiée ci-dessus), l'acheteur avisera Furman par courriel (techsupport@furmansound.com). Si les défauts correspondent à ceux qui sont couverts par cette garantie, Furman autorisera l'acheteur à retourner le produit à son siège social. Les réclamations sous garantie doivent être accompagnées d'une copie de la facture ou du reçu d'achat original indiquant la date d'achat. Les frais d'envoi doivent être payés à l'avance par l'acheteur du produit. Furman s'engage à remplacer le produit à ses frais ou selon son jugement, à réparer le produit défectueux. Les frais d'envoi à l'acheteur seront payés par Furman. **LE SUSDIT SUPPLANTE TOUTE AUTRE GARANTIE, EXPRIMÉE OU IMPLICITE, Y COMPRIS, MAIS PAS LIMITÉ AUX GARANTIES IMPLICITES À L'ÉGARD DE LA QUALITÉ LOYALE ET MARCHANDE VISANT UN BUT PARTICULIER.** Furman ne garantit pas contre les dommages ou défauts issus d'une utilisation inappropriée ou de la manutention anormale du produit, ou contre les dommages ou défauts issus d'une mauvaise installation. Furman annulera cette garantie à sa discrétion si le produit a été modifié sans l'autorisation écrite de Furman ou de Panamax Inc. Cette garantie ne s'applique également pas aux produits qui ont été réparés par des personnes autres que celles autorisées (par écrit) par Furman ou Panamax Inc. **CETTE GARANTIE EST EXCLUSIVE.** L'obligation unique et exclusive de Furman sera de réparer ou de remplacer le produit défectueux de la manière et selon la période indiquée ci-dessus. Furman n'aura pas d'autre obligation en ce qui a trait aux produits ou à ses pièces, que ce soit sous forme de contrat, de faute professionnelle, de responsabilité stricte ou autre. En aucune circonstance Furman ne pourra être tenu responsable, soit sur la base de cette garantie limitée ou autre, de dommages accidentels, spéciaux ou indirects. Cette garantie limitée exprime toute l'étendue des obligations de Furman quant au produit. Si une portion de cette garantie limitée devait être jugée nulle ou illégale, le reste demeurerait en vigueur.

CARACTÉRISTIQUES

COURANT NOMINAL :
16 A

TENSION DE FONCTIONNEMENT :
180 à 274 VCA

ARRÊT DÛ À UNE SURTENSION :
275 VCA (typiquement)

MODES DE PROTECTION CONTRE LES SURTENSIONS :
Ligne à neutre, aucune perte à la terre

INTERRUPTION DUE À DES SURTENSIONS :
Pointe de 376 VCA à 3000 A, 266 VCA RMS

TEMPS DE RÉACTION :
1 nanoseconde

COURANT DE CHOC MAXIMAL :
6,500 A

ATTÉNUATION DU BRUIT :

10 dB à 10 kHz, 40 dB à 100 kHz, 50 dB à 500 kHz
 Courbe d'atténuation linéaire : impédance de 0.05 — 100 Ohms

DIMENSIONS :

1,75 po (H) x 19 po (L) x 10,5 po (P)

POIDS :

5.5 kg.

CONSTRUCTION :

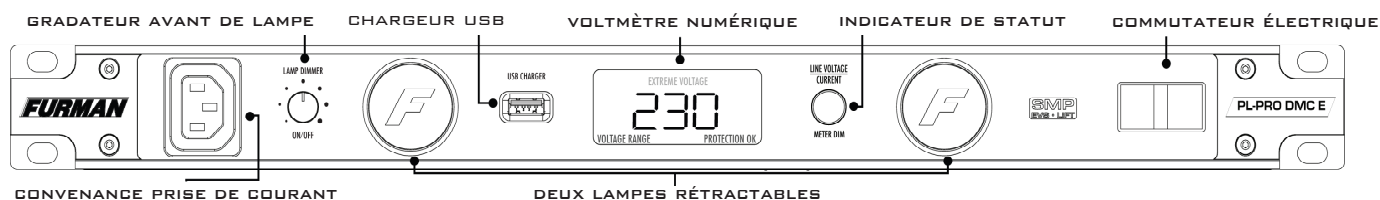
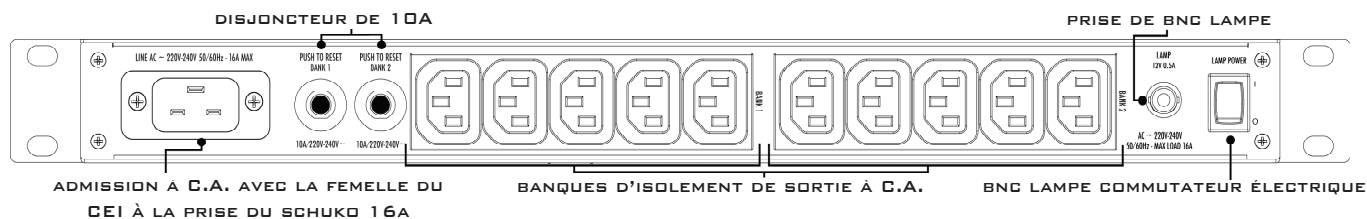
Châssis d'acier, panneau avant d'aluminium anodisé noir brossé de 0,120 po, circuits imprimés sur verre-époxyde

CONSOMMATION :

6 watts

LISTE D'AGENCE DE SÛRETÉ :

CE

PL-PRO DMC E PANNEAU AVANT**PL-PRO DMC E ARRIÈRE PANNEAU**

CARACTERÍSTICAS DEL PL-PRO DMC E DE FURMAN

- Tecnología SMP (Series Multi-Stage Protection/Protección en serie multi-etapa) con EVS (Extreme Voltage Shutdown/Interrupción del voltaje extremo)
- Tecnología LiFT, (Linear Filtering/Filtro lineal) con cero interferencia de conexión a tierra
- Medidor de voltaje de CA tricolor, con luz LED de 20 segmentos
- Cargador USB instalado en el panel delantero
- Dos luces LED Smooth Track retráctiles en el panel delantero de larga duración y baja producción de calor con interruptor-atenuador de luz para regular la intensidad de iluminación
- Conector BNC en el panel posterior que permite la conexión de cualquier lámpara cuello de cisne estándar (12V CA 0,5 amperios) para iluminar la parte posterior de la unidad (Las lámparas cuello de cisne GN-I y GN-LED de Furman son las mejores para esta aplicación)
- Una práctica salida de CA en el panel delantero y diez salidas en el panel posterior
- Capacidad de 16A (3680 Watts) con disyuntor de circuito de 16A
- Garantía limitada de cinco años

INTRODUCCIÓN

Gracias por comprar el acondicionador de energía de la Serie Classic de Furman y felicitaciones por su elección.

Los acondicionadores de energía Serie Classic cuentan con el revolucionario circuito **SMP** (Protección en serie multi-etapa), **EVS** (Interrupción del voltaje extremo) y la exclusiva Linear Filtering Technology (**LiFT**) (Filtro lineal) de Furman. En conjunto, estas tecnologías forman parte exactamente de lo que nuestros clientes esperan de Furman: protección y purificación de la CA insuperables. Nuestra Serie Classic se creó precisamente para superar las demandas cruciales de los profesionales de audio/video, contratistas, emisoras de difusión y músicos por igual.

SMP (PROTECCIÓN EN SERIE MULTI-ETAPA)

Con el supresor de sobretensión SMP de Furman no es necesario llamar al servicio técnico y se evita el costoso «tiempo de inactividad». Los circuitos supresores de sobretensión tradicionales se sacrifican cuando se exponen a picos de voltaje múltiples transitorios que requieren el desmantelamiento de su sistema y la reparación del supresor de sobretensión. Esto no sucede con el SMP de Furman. Los voltajes transitorios perjudiciales se absorben, se contienen y se disipan con seguridad. Su equipo conectado está protegido mientras el SMP de Furman se protege a sí mismo.

Una característica única del SMP de Furman es el incomparable voltaje de sujeción, que se define como la cantidad de voltaje que puede pasar por su equipo cuando el dispositivo de protección se somete a una sobretensión o a un pico transitorio. Mientras otros diseños ofrecen voltaje de sujeción muy por encima del pico de 600V, el SMP de Furman contiene picos de 376 V, (266 V CA RMS), incluso cuando se prueba con sobretensiones múltiples de 6000V - 3000 amperios. Este nivel de protección sin precedentes solo está disponible con la tecnología SMP de Furman.

EVS (INTERRUPCIÓN DE VOLTAJE EXTREMO)

El sistema de circuitos confiable de sobrecarga de Furman (EVS) protege contra las condiciones de sobrecarga como las conexiones accidentales 330+ V CA o una conexión intermitente del neutro. La protección se realiza al controlar el ingreso de voltaje y cuando detecta una condición insegura, dispara un relé que corta el ingreso de energía hasta que se corrige la condición de sobrecarga y se reposiciona el interruptor de encendido/apagado.

TECNOLOGÍA LiFT (FILTRO LINEAL)

Desafortunadamente, los acondicionadores de energía de CA tradicionales se diseñaron para condiciones de laboratorio irreales. Las tecnologías anteriores, ya sean de filtros de varios polos o de modo serie convencional, en realidad, podrían dañar el rendimiento de audio y video en vez de ayudar debido a la máxima resonancia de sus diseños anticuados no lineales. Bajo ciertas condiciones, estos diseños pueden, en realidad, agregar más de 10 dB de ruido en la línea de entrada de CA. Peor aún, los picos de voltaje excesivo y el ruido de CA que interfiere con la conexión a tierra del equipo pueden causar, con frecuencia, la pérdida de datos digitales, la necesidad de reiniciar las configuraciones digitales o la destrucción de conversores digitales sensibles. La tecnología LiFT de Furman tiene un enfoque diferente que garantiza el rendimiento óptimo por medio de filtros lineales para el ruido de CA sin interferir con la conexión a tierra.

CARACTERÍSTICAS ADICIONALES DEL PL-PRO DMC E

El PL-PRO DMC E cuenta con luces LED Smooth Track en el soporte. Estas luces, virtualmente, no producen calor y tienen una vida útil extremadamente larga. Un interruptor-atenuador de intensidad para las luces del soporte le permite al usuario regular el nivel de luminosidad (al girarlo en sentido horario/antihorario) y encender o apagar las lámparas (al presionar la perilla). Un conector hembra BNC montado en la parte posterior permite conectar cualquier lámpara cuello de cisne (12V CA 0,5 amperios) para iluminar la parte posterior de la unidad.

Además, el PL-PRO DMC E ofrece un medidor digital conmutable con precisión a nivel de laboratorio que muestra el voltaje de entrada en incrementos de 1 voltio o corriente RMS verdadera en incrementos de 0,1 amperio. La precisión del voltímetro es de $\pm 3,0$ voltios. Este medidor también cuenta con un indicador de voltaje tricolor. Esto le permite al usuario ver si el voltaje está dentro o fuera del rango óptimo, incluso desde una distancia bastante grande como para leer con precisión el voltaje que muestra.

El PL-PRO DMC E está equipado con una práctica salida de CA en el panel delantero y diez salidas de CA en el panel posterior. La capacidad de 16 amperios (3680 Watts) del PL-PRO DMC E se proporciona desde un cable de CA resistente, desmontable, de 1,5mm²x3, 2,5 metros con clip de seguridad (conector IEC C-19 a Schuko es el estándar, otros extremos de enchufe de cables de CA están disponibles como accesorio opcional).

INFORMACIÓN DE SEGURIDAD

Para obtener mejores resultados con el acondicionador de energía Serie Classic de Furman, lea atentamente este manual antes de utilizarlo.

ADVERTENCIA

Para reducir el riesgo de descargas eléctricas, no exponga este equipo a la lluvia ni a la humedad. Existen voltajes altos peligrosos dentro del gabinete. No quite la cubierta. Para obtener servicio técnico, solo consulte al personal calificado. El símbolo de relámpago terminado en flecha sirve para alertar sobre la presencia de voltaje peligroso no aislado dentro del gabinete del equipo y puede tener la suficiente magnitud como para considerarlo un riesgo de descarga eléctrica.

INSTRUCCIONES IMPORTANTES DE SEGURIDAD

(Lea las siguientes instrucciones antes de la instalación)

1. Lea y respete todas las instrucciones de seguridad y de funcionamiento antes de instalar su acondicionador de energía Serie Classic de Furman. Guarde estas instrucciones para futuras referencias.
2. No debe utilizar el acondicionador de energía Serie Classic cerca del agua, por ejemplo, cerca de tinas, lavamanos, fregaderos de cocina, recipientes para lavar ropa, en sótanos con humedad ni cerca de una piscina.
3. No coloque el acondicionador Serie Classic cerca de fuentes de mucho calor como radiadores, rejillas de calefacción, estufas o demás artefactos que produzcan calor extremo.
4. El PL-PRO DMC E de Furman se debe conectar solamente a un tomacorriente con conexión a tierra de 220-240 V CA, 50Hz/60Hz, 16 amperios. No anule la conexión a tierra ni cambie la polarización del enchufe.
5. Lleve los cables de alimentación de CA y demás cables por lugares donde las personas no se tropiecen, los tensionen ni caminen sobre ellos. Preste especial atención a la condición de los cables en los enchufes y en los puntos de salida del acondicionador Furman. Para prevenir el riesgo de incendio o lesiones, los cables dañados se deben reemplazar inmediatamente.
6. Limpie el acondicionador Furman solo con un paño húmedo. No utilice solventes ni limpiadores abrasivos. Nunca vierta líquidos sobre ni dentro de la unidad.
7. El personal de servicio técnico calificado debe realizar servicios de mantenimiento y reparación de su acondicionador Furman cuando:
 - El cable de suministro eléctrico o el enchufe se haya desgastado, torcido o cortado.
 - Cayeron objetos o se derramó algún líquido sobre la unidad.
 - La unidad se expuso a la lluvia o a condiciones de humedad extrema.
 - La unidad parece no funcionar normalmente.
 - El indicador de «Protection OK» (Protección activada) no se enciende.
 - La unidad se haya caído o el gabinete se haya dañado.

- Las luces LED retráctiles no funcionan.

8. El acondicionador Furman requiere una conexión a tierra de seguridad para que pueda funcionar correctamente. Cualquier intento de utilizar la unidad sin la conexión a tierra de seguridad se considera uso inapropiado y puede invalidar la garantía.
9. No intente realizar ningún tipo de mantenimiento ni reparación de su acondicionador Furman además de lo que se describe en este manual. Todos los demás servicios de mantenimiento y reparación se deberán enviar al personal de servicio técnico calificado.

FUNCIONAMIENTO

CONTROL DE LAS LUCES SMOOTH TRACK RETRÁCTILES DEL SOPORTE, DE LA LÁMPARA DEL PANEL POSTERIOR Y DEL REGULADOR DE INTENSIDAD:

Los acondicionadores de energía Serie Classic de Furman utilizan un control de intensidad para los dos tubos de luz Smooth Track retráctiles. La perilla de intensidad controla la luminosidad de las dos lámparas del panel delantero. Gírela en sentido horario para aumentar la luminosidad y, en sentido antihorario para disminuirla. La perilla funciona además como interruptor de encendido/apagado momentáneo para las lámparas: presiónela para encender o apagar las lámparas. Cuando no se utilizan las lámparas, le recomendamos girar completamente el regulador de intensidad en sentido antihorario o apagarlas para maximizar la vida útil de las luces LED. Si los tubos de luz están completamente extendidos o sobresalen del panel delantero, no se producirá un calor considerable independientemente de la configuración de intensidad debido al rendimiento de las luces LED de amplio espectro.

Todos los acondicionadores Serie Classic de Furman cuentan con un conector BNC en la parte posterior, donde se puede conectar cualquier conjunto de lámparas cuello de cisne de 12 V CA (0,5A) (como las GN-LED o GN-I de Furman). Simplemente coloque el enchufe BNC en el conector y gírelo en sentido horario hasta que encaje en la posición de cierre. La lámpara de la parte posterior se puede encender y apagar con el interruptor de luz que está próximo al conector BNC.

INDICADOR EVS (INTERRUPCIÓN DE VOLTAJE EXTREMO):

El indicador LED de Extreme Voltage, generalmente, está apagado. Se encuentra dentro del conjunto del lente del medidor, directamente sobre la luz LED azul de voltaje/corriente, aunque durante el uso normal NO estará visible.

El indicador Extreme Voltage controla un riesgo que es común en las industrias de entretenimiento, transmisión remota o contratistas de servicios de audio y video: las fallas de cableado. Por ejemplo: una conexión accidental a 330V CA donde se espera 220-240V CA o una conexión de neutro abierto desde un servicio eléctrico 330V CA. El circuito EVS de Furman al detectar voltajes muy altos que impiden el normal funcionamiento, interrumpe el suministro de energía antes de que se produzcan daños.

Al conectar la energía a estas unidades, el indicador de voltaje extremo se encenderá y aparecerán las letras «EVS» de color rojo en la parte superior del lente del medidor si el voltaje de entrada está por encima del apagado en voltaje extremo (mayor a 140 voltios).

NOTA: Si la alimentación eléctrica está por encima del apagado en voltaje extremo e hizo que el circuito EVS cortara la energía de las salidas del PL-PRO DMC E, el suministro de energía no se podrá reestablecer sin que el operador apague la unidad y la vuelva a encender manualmente. No vuelva a encender la unidad sin revisar primero el origen del problema y cambiar la fuente de CA (si fuera necesario).

INDICADOR «PROTECTION OK» (PROTECCIÓN ACTIVADA):

Aunque el circuito SMP de Furman garantiza, virtualmente, la protección sin mantenimiento contra picos de voltaje transitorios y sobretensiones, la naturaleza, ocasionalmente, crea fuerzas eléctricas que van más allá de la capacidad que CUALQUIER dispositivo supresor de sobretensión pueda tener para absorberlos sin que causen daños (como un rayo que cae directamente en alguna aplicación exterior). Cuando se presentan estos casos poco comunes, el indicador LED verde de «Protection OK» (Protección activada) que se encuentra en la parte inferior derecha del visor del medidor, se atenuará.

NOTA: Los acondicionadores de energía Serie Classic de Furman no compensan por voltaje de línea de CA alto o bajo. Si usted, con frecuencia, coloca el soporte en diferentes lugares, obtiene energía de generadores, utiliza cables de extensión muy largos, viaja a países extranjeros, o se encuentra en una región propensa a apagones, puede aprovechar de los Reguladores de voltaje de CA de Furman.

MEDIDOR CONMUTABLE DIGITAL PARA VOLTAJE Y CORRIENTE RMS VERDADERA:

El voltímetro digital de CA de Furman con precisión a nivel de laboratorio mide constantemente el voltaje de entrada con una tolerancia normal de +/- 3,0V CA. Se debe tener en cuenta que la lectura es la del voltaje de entrada.

El medidor digital de corriente RMS verdadera de Furman, con precisión a nivel de laboratorio, mide constantemente la carga de CA total del circuito con una tolerancia normal de +/- 0,5 amperios. Debido a que estos medidores cuentan con la tecnología RMS, las lecturas de corriente son precisas, independientemente de las condiciones de carga (capacitiva, inductiva o resistiva).

Para alternar entre voltaje y corriente, presione el botón con la etiqueta «Line Voltage/Current» (voltaje/corriente de línea). Presione el botón durante dos segundos para atenuar el brillo de la pantalla.

INDICADOR DEL RANGO DE VOLTAJE:

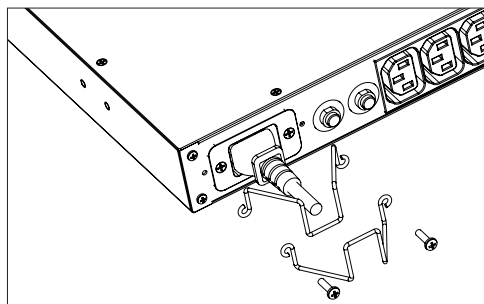
Este indicador se encuentra en el extremo inferior izquierdo del conjunto del lente del medidor digital de voltios/amperios. Cuando el voltaje de CA está dentro de los 5 voltios (+/-) de la fuente de 216 y 244V CA nominal, el indicador tricolor estará de color verde (óptimo). Sin embargo, si el voltaje está entre 205 y 215V CA o entre 245 y 255V CA, el indicador se pondrá de color ámbar (precaución: no es óptimo). Si el voltaje de entrada está en un rango extremo (por debajo de 205 o por encima de 255), el indicador se pondrá de color rojo. Este rango no es para nada óptimo y puede dañar potencialmente algún equipo.

CARGADOR USB:

El cargador USB del PL-PRO DMC E de Furman brinda una forma fácil de recargar varios accesorios electrónicos conocidos y dispositivos de comunicación por celular simplemente conectando el cable de recarga en el conector del panel delantero. Tenga en cuenta que debido a que, actualmente, existen muchos estándares para USB, es posible que algunos dispositivos no sean compatibles con nuestro cargador.

ABRAZADERA DE SEGURIDAD PARA EL CABLE DE CA DE ENTRADA:

El cable de CA desmontable del PL-PRO DMC E de Furman viene con una abrazadera de seguridad de dos piezas. La abrazadera de seguridad es de cromo de dos piezas (ubicada en la manga del cable de CA) se sujeta fácilmente a los orificios roscados en ambos lados de la entrada de CA y se puede instalar en segundos con un destornillador Phillips estándar.



SOLUCIÓN DE PROBLEMAS

- 1.) Síntoma:** No hay energía en las salidas de CA.

Causa posible: El disyuntor de circuito (ubicado en el panel posterior, próximo al cable de alimentación de CA de entrada) se disparó debido a una carga excesiva.

Medida necesaria: Desenchufe un equipo del acondicionador Furman y presione la lengüeta redonda de reinicio en el bisel del interruptor de circuito.
- 2.) Síntoma:** No hay energía en las salidas CA, el indicador «Protection OK» (Protección activada) no está encendido.

Causa posible: La salida de CA donde está conectado el acondicionador Furman no tiene voltaje de CA o el sistema de circuitos de protección de su unidad está comprometido.

Medida necesaria: Enchufe el acondicionador Furman en un tomacorriente de CA de voltaje nominal de 220-240 V CA. Si el problema continúa, comuníquese con Furman para obtener servicio técnico.
- 3.) Síntoma:** El indicador de voltaje extremo (EVS) está encendido.

Causa posible: El voltaje de entrada está por encima de los 275V y se cortó la energía en las salidas de la unidad. Además, si el voltaje está por debajo de 175V durante el encendido, la unidad no permitirá que el voltaje de CA llegue a las salidas.

Medida necesaria: Corrija el voltaje de la línea, luego encienda el acondicionador Furman. Si el voltaje presente está por debajo de 215 V CA o por encima de 245 V CA, considere instalar un regulador de voltaje Furman.

SERVICIO TÉCNICO

Si necesita servicio técnico para equipos, comuníquese con el Departamento de servicios de Furman al 707-763-1010. También se puede comunicar por correo electrónico a techsupport@furmansound.com.

Todos los equipos que se devuelvan para reparación deberán tener el número de Autorización de Retorno (RA). Para obtener un número RA, comuníquese con el Departamento de servicio de atención al cliente de Furman.

Antes de devolver cualquier equipo para reparación, asegúrese de que se encuentre embalado, asegurado y protegido correctamente contra daños durante el envío. Le sugerimos que guarde el embalaje original y lo utilice para enviar el producto cuando necesite servicio técnico. Además, le solicitamos que nos envíe una nota con su nombre, dirección, número de teléfono, número RA y la descripción del problema.

GARANTÍA LIMITADA POR 5 AÑOS

¡GUARDE EL RECIBO DE VENTA! El recibo es su comprobante de compra y confirma que el producto se compró en un distribuidor de Furman autorizado. Deberá presentarlo en Furman para tramitar cualquier reclamo de garantía. Furman, una marca de Panamax Inc., garantiza su PL-PRO DMC E (el «Producto») de la siguiente forma: Furman le garantiza al comprador original que el producto que se vende conforme a este documento no tendrá defectos en el material ni en la mano de obra por un período de cinco años a partir de la fecha de compra. Si el producto no cumple con esta Garantía limitada durante el período de garantía (como se especifica anteriormente en el presente), el comprador deberá notificar a Furman sobre los defectos reclamados a través de correo electrónico (techsupport@furmansound.com). Si los defectos son del tipo y naturaleza que cubre esta garantía, Furman autorizará al comprador a devolver el producto a la oficina central de Furman. Los reclamos de garantía se DEBERÁN presentar con una copia de la factura o del recibo original de la compra donde figure la fecha de compra. El comprador del producto deberá pagar por adelantado los cargos por el envío a la oficina central de Furman. Furman deberá, por su propia cuenta, proporcionar un producto de reemplazo, o bien, a su entera discreción, reparar el producto defectuoso. Furman pagará los gastos de devolución del producto al comprador. **LA GARANTÍA ANTERIOR SUSTITUYE A TODAS LAS DEMÁS GARANTÍA EXPRESAS O IMPLÍCITAS, QUE INCLUYEN, ENTRE OTRAS, LAS GARANTÍAS IMPLÍCITAS DE COMERCIABILIDAD Y DE APTITUD CON UN FIN ESPECÍFICO.** Furman no garantiza los daños ni defectos que surjan del uso incorrecto o de la manipulación anormal del producto ni los defectos ni daños que surjan de la instalación incorrecta. Furman puede cancelar esta garantía a su entera discreción si el producto se modifica en cualquier forma sin una autorización por escrito de Furman o Panamax Inc. Esta garantía tampoco se aplica a los productos que intentaron reparar o repararon aquellas personas sin una autorización por escrito de Furman o Panamax Inc. **ESTA GARANTÍA ES EXCLUSIVA.** La obligación única y exclusiva de Furman será reparar o reemplazar el producto defectuoso de la manera y durante el período que se establecen anteriormente. Furman no tendrá ninguna otra obligación con respecto a los productos ni a cualquiera de sus partes, ya sea por contrato, extracontractualmente, responsabilidad estricta o de otra naturaleza. Bajo ningún concepto, ya sea según en esta Garantía limitada o de otra naturaleza, Furman será responsable por los daños incidentales, especiales o consecuentes. Esta Garantía limitada establece la obligación total que tiene Furman con respecto al producto. Si se determina que alguna parte de esta Garantía limitada es nula o ilegal, el resto permanecerá vigente.

ESPECIFICACIONES

CAPACIDAD DE CORRIENTE:

16 amperios

VOLTAJE DE FUNCIONAMIENTO:

de 180 a 274 V CA

INTERRUPCIÓN DE SOBRECARGA:

generalmente, 275 V CA

MODOS DE PROTECCIÓN CONTRA PICOS DE VOLTAJE:

línea a neutro, cero fuga de conexión a tierra

PICO DE VOLTAJE DE SUJECCIÓN:

pico de 376 V CA a 3000 amperios, 266 V CA RMS

TIEMPO DE RESPUESTA:

1 nanosegundo

CORRIENTE DE SOBRETENSIÓN MÁXIMA:

6.500 amperios

ATENUACIÓN DE RUIDO:

10 dB a 10 kHz, 40 dB a 100 kHz, 50 dB a 500 kHz
Curva de atenuación lineal de impedancia de línea de 0,05 a 100 ohmios

DIMENSIONES:

1,75" (4,44 cm) de alto x 19" (48,26 cm) de ancho x 10,5" (26,67 cm) de profundidad.

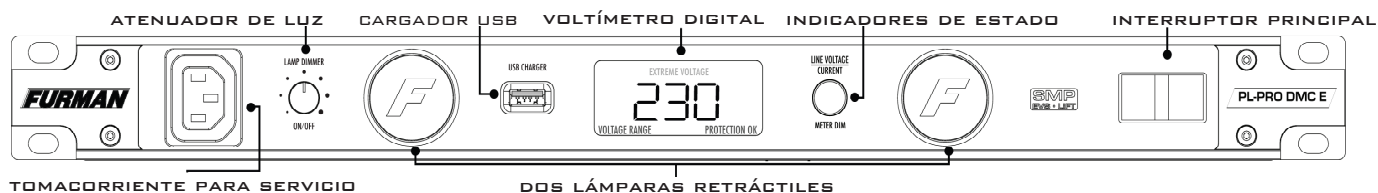
PESO :
5.5 kg

CONSTRUCCIÓN:
Chasis de acero, panel delantero de aluminio anodizado cepillado y negro de 0,120" (0,32 cm); placas de circuito impreso con vidrio epoxi.

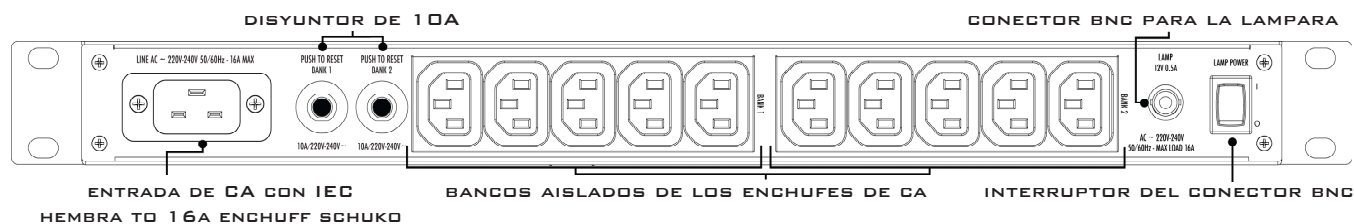
CONSUMO DE ENERGÍA:
(Aprox. 25 VA)

LISTADO DE LA AGENCIA DE LA SEGURIDAD:
CE

PL-PRO DMC E PANEL DELANTERO



PL-PRO DMC E PANEL POSTERIOR



MERKMALE DES FURMAN PL-PRO DMC E

- **SMP** (Series Multi-Stage Protection) mit **EVS** (Extreme Voltage Shutdown)
- **LiFT** (Linear Filtering Technology) mit null Masseschlusseinstreuung
- Schaltbar/dimmbare, Echt-RMS-Strom und laborgenauer digitaler Spannungsmesser mit dreifarbigem Spannungsbereichsanzeige
- Frontseitiges USB-Ladegerät
- Zwei frontseitige, herausziehbare, langlebige, **Smooth Track** LED-Racklampen ohne Hitzeentwicklung, mit Dimmer-Ein-/Aus-Schalter
- Der rückseitige BNC-Stecker nimmt jede Standard-Schwanenhalslampe (12VAC 0,5 A) zur Beleuchtung der Rückseite Ihres Racks auf (Furman GN-I und GN-LED-Schwanenlampen-Zubehör ist für diesen Einsatz am besten geeignet)
- Einem bequemen frontseitigen Wechselstromausgang und zehn rückseitigen Ausgängen ausgestattet
- 16A (3680W) Leistung bei 16A Sicherung
- Eingeschränkte fünf-Jahres-Garantie

EINFÜHRUNG

Danke, dass Sie sich für den Kauf eines Furman Power Conditioner der Classic Serie entschieden haben und herzlichen Glückwunsch zu Ihrer Wahl. Power Conditioner der Classic Serie mit der revolutionären Series Multi-Stage Protection (**SMP**) Schaltung von Furman, Extreme Voltage Shutdown (**EVS**) und unserer exklusiven Linear Filtering Technology (**LiFT**). Zusammen bilden diese Technologien genau das, was unsere Kunden von Furman erwarten – Wechselstromschutz und –aufbereitung ohne Kompromisse. Unsere Classic Serie wurde speziell dahin gehend konstruiert, dass die kritischen Anforderungen von gewerblichen Audio-/Video-Fachleuten, Unternehmern, Sendern und Musikern gleichermaßen übertroffen werden.

SMP (SERIES MULTI-STAGE PROTECTION)

Der SMP Überspannungsschutz von Furman macht nahezu alle Serviceanrufe überflüssig und verhindert kostspielige "Ausfallzeit". Herkömmliche Überspannungsschutzkreise opfern sich selbst, wenn sie Mehrfach-Transientenpannungen ausgesetzt sind, so dass eine Zerlegung und Reparatur Ihres Überspannungsschutzes erforderlich wird. Nicht so beim SMP von Furman. Schädliche Transientenspannungen werden sicher absorbiert, abgeschnitten und abgeleitet. Ihre angeschlossene Ausrüstung ist geschützt, während Ihr Furman sich selbst schützt!

Einzigartig für Furmans SMP ist die beispiellose Clamping-Spannung, d.h. die Spannungsstärke, die durch Ihre Ausrüstung fließen darf, wenn die Schutzvorrichtung einer Transientenspannung oder Spannungsspitze ausgesetzt ist. Während bei anderen Konstruktionen die Clamping-Spannungen deutlich über 600 Vpk liegen, löst Furmans SMP Clamping-Spannung bei 376 Vpk, (266 VAC RMS) aus, selbst wenn mit 6000 Vpk - 3000 Ampere-Spitzen geprüft wird! Dieser beispiellose Schutz ist nur mit der SMP-Technologie von Furman erhältlich.

EVS (EXTREME VOLTAGE SHUTDOWN)

Der bewährte Überspannungsschutz (EVS) von Furman schützt vor längeren Überspannungszuständen wie bei versehentlichen Verbindungen 330+ VAC oder einem Wackelkontakt auf dem Nulleiter. Dies geschieht durch Überwachung der Eingangsspannung und, sobald ein unsicherer Zustand festgestellt wird, durch Auslösen eines Relais, das die Eingangsspannung abschaltet, bis der Überspannungszustand beseitigt und der Power-Schalter zurückgesetzt wurde.

LiFT (LINEAR FILTERING TECHNOLOGY)

Leider wurden herkömmliche Wechselstrom-Power Conditioner für unrealistische Laborbedingungen konstruiert. Frühere Technologien, ob mit Mehrpol- oder herkömmlichen Filtern, können der Audio- und Videoleistung aufgrund des Resonanzanstiegs ihrer veralteten nicht-linearen Konstruktion tatsächlich eher schaden als nützen. Unter bestimmten Bedingungen können diese Konstruktionen tatsächlich mehr als 10 dB Geräuscheinstrahlung auf die einspeisende Wechselstromleitung verursachen! Schlimmer noch - verlorene digitale Daten, die Notwendigkeit eines Neustarts oder die Zerstörung von empfindlichen Digitalwandlern werden häufig durch Überspannungen und Wechselstrom-Geräuscheinstrahlung verursacht, die die Geräte-Erde verunreinigen. LiFT von Furman ist eine andere Herangehensweise, bei der eine optimale Leistung durch lineare Wechselstrom-Geräuschfilterung ohne Erdeinstreuung sichergestellt wird.

WEITERE MERKMALE DES PL-PRO DMC E

Der PL-PRO DMC E verfügt über Smooth Track LED-Racklampen, die fast keine Wärme abstrahlen und eine extrem hohe Lebensdauer

haben. Mit einer Dimmerregelung für die Racklampen kann der Benutzer die Leuchtstärke einstellen (durch Drehen im/gegen den Uhrzeigersinn) oder die Lampen ein- und ausschalten (durch Hineindrücken des Knopfes). Eine rückseitige BNC-Buchse nimmt jede (12VAC 0,5 A) Schwanenhalslampe zur rückseitigen Rackbeleuchtung auf.

Zusätzlich hat der PL-PRO DMC E ein schaltbares digitales Präzisions-Labormessgerät, das die Einspeisespannung in 1-Volt-Schritten oder den Echt-RMS-Strom in 0,1-Ampere-Schritten anzeigt. Die Genauigkeit des Voltmeters beträgt $\pm 3,0$ Volt. Dieses Messgerät hat ebenfalls einen dreifarbigigen Spannungsbereichsanzeiger. Dieser informiert den Benutzer auch bei zu großer Entfernung zum Ablesen der angezeigten Spannung, ob sich die Spannung in oder außerhalb eines sicheren Bereichs befindet.

Der PL-PRO DMC E ist mit einem bequemen frontseitigen Wechselstromausgang sowie zehn rückseitigen Wechselstromausgängen ausgestattet. Die 16 Ampere (3680 Watt) Leistung des PL-PRO DMC E wird von einer abnehmbaren robusten 1,5mil., 2,5 Meter Wechselstromleitung mit Sicherungsclip geliefert (IEC C-19 auf Schuko ist Standard, als Zubehör-Option sind aber auch Wechselstromleitungen mit einem anderen Steckerende verfügbar).

SICHERHEITSINFORMATION

Um mit Ihrem Furman Power Conditioner der Classic Serie die besten Ergebnisse zu erzielen, lesen Sie diese Bedienungsanleitung vor dem Gebrauch bitte aufmerksam durch.

ACHTUNG

Um die Gefahr eines elektrischen Schlags zu verringern, setzen Sie dieses Gerät weder Regen noch Feuchtigkeit aus. Im Gehäuseinnern liegen gefährliche Hochspannungen an. Entfernen Sie nicht die Abdeckung. Überlassen Sie den Service ausschließlich qualifiziertem Personal. Der Blitz mit dem Pfeilsymbol soll den Benutzer auf das Vorhandensein gefährlicher freiliegender Spannung innerhalb des Produktgehäuses aufmerksam machen, die stark genug sein kann, dass die Gefahr eines Stromschlags besteht.

WICHTIGE SICHERHEITSHINWEISE

(Bitte vor der Installation lesen)

1. Bitte lesen und befolgen Sie alle Sicherheits- und Bedienungsanweisungen vor der Installation Ihres Furman Power Conditioner der Classic Serie. Bewahren Sie diese Anweisungen zur künftigen Bezugnahme auf.
2. Ihr Conditioner der Classic Serie darf nicht in der Nähe von Wasser wie beispielsweise einer Badewanne, einem Waschbecken, einer Küchenspüle, eine Wäschekorb, in einem nassen Fundament oder in der Nähe eines Schwimmbeckens verwendet werden.
3. Stellen Sie Ihren Conditioner der Classic Serie nicht in die Nähe von Heizlüftern, Hitzeregistern, Öfen und anderen Geräten auf, die starke Hitze entwickeln.
4. Der Furman PL-PRO DMC E darf nur an eine geerdete 220-240 VAC, 50Hz/60Hz, 16 Ampere-Steckdose angeschlossen werden. Entfernen Sie nicht den Schutzleiter und ändern Sie nicht die Polung des Netzsteckers.
5. Führen Sie die Wechselstromleitung und die anderen Kabel so, dass sie möglichst nicht betreten, überstolpert oder belastet werden. Achten Sie besonders auf den Zustand der Leitungen und Kabel an den Steckern und an dem Punkt, an dem sie aus Ihrem Furman Conditioner austreten. Um die Gefahr eines Feuers oder einer Verletzung zu verhindern, müssen beschädigte Leitungen und Kabel unverzüglich ausgetauscht werden.
6. Reinigen Sie Ihren Furman Conditioner nur mit einem feuchten Lappen. Verwenden Sie keine Lösungs- oder Scheuermittel. Gießen Sie niemals Flüssigkeiten auf oder in das Gerät.
7. Ihr Furman Conditioner muss unter folgenden Umständen von qualifiziertem Servicepersonal gewartet werden:
 - *Das Netzkabel oder der Netzstecker ist durchgescheuert, abgeknickt oder eingeschnitten;*
 - *Gegenstände sind auf oder Flüssigkeit ist in das Gerät hineingelangt;*
 - *Das Gerät wurde Regen oder starker Feuchtigkeit ausgesetzt;*
 - *Das Gerät arbeitet offensichtlich nicht normal;*
 - *Die "Protection OK"-Anzeige leuchtet nicht.*
 - *Das Gerät wurde fallen gelassen oder das Gehäuse wurde beschädigt;*
 - *Die herausziehbaren LED-Lampen sind ausgefallen.*
8. Ihr Furman Conditioner benötigt einen Schutzleiter, damit er einwandfrei arbeitet. Jeglicher Versuch, das Gerät ohne Schutzleiter zu betreiben, wird als Falschbetrieb betrachtet und kann die Garantie ungültig machen.

9. Versuchen Sie nicht, den Furman über das hinaus zu warten, was in diesem Handbuch beschrieben ist. Jegliche weitere Wartung muss qualifiziertem Servicepersonal überlassen werden.

BEDIENUNG

HERAUSZIEHBARE SMOOTH TRACK RACK-LAMPEN, RÜCKSEITIGE LAMPE UND DIMMERREGELUNG:

Die Furman Power Conditioner der Classic Serie haben eine Dimmerregelung für die beiden herausziehbaren Smooth Track Lampenröhren. Der Dimmerknopf regelt die Helligkeit beider frontseitigen Lampen. Eine Drehung im Uhrzeigersinn erhöht die Helligkeit; eine Drehung gegen den Uhrzeigersinn verringert sie. Der Knopf dient gleichzeitig als Tastschalter für die Lampen: Hinein drücken, um die Lampen ein- oder auszuschalten. Werden die Lampen nicht verwendet, empfehlen wir, den Dimmer ganz gegen den Uhrzeigersinn zu drehen oder den Knopf auszuschalten, um die Lebensdauer der LEDs zu maximieren. Ob die Lampenröhren ganz herausgezogen sind oder bündig zur Frontplatte liegen, aufgrund der Wirtschaftlichkeit unserer LEDs mit vollem Lichtspektrum wird keine nennenswerte Hitze entwickelt, unabhängig von der Dimmerstellung.

Alle Furman Conditioner der Classic Serie haben eine hinten angebrachte BNC-Buchse, die eine 12 VAC (0,5 A) Schwanenhalslampe (wie beispielsweise die Furman GN-LED oder GN-I) aufnimmt. Schieben Sie einfach den BNC-Stecker auf die Buchse und drehen Sie ihn im Uhrzeigersinn, bis der Stecker in der arretierten Position einrastet. Die rückseitige Racklampe kann mit dem hinteren Lampenschalter ein- und ausgeschaltet werden, der sich neben dem BNC-Stecker befindet.

EVS-ANZEIGE (EXTREME VOLTAGE SHUTDOWN):

Die Extreme Voltage LED-Anzeige ist normalerweise aus. Sie befindet sich innerhalb der Messgerätelinse direkt über den blauen Spannungs-/Strom-LEDs und ist beim Normalbetrieb NICHT sichtbar.

Die Extreme Voltage-Anzeige überwacht eine Gefahr, die in den Industrien der Unterhaltungs-, Sende- und AV-Elektronik häufig vorkommt: Verdrahtungsfehler. Beispiel: Versehentlicher Anschluss an 330VAC, wenn 220-240VAC erwartet werden, oder ein unterbrochener Nullleiter von einer 330VAC Stromquelle. Der EVS-Stromkreis von Furman erkennt Spannungen, die für einen Betrieb zu hoch sind, und schaltet diese ab, bevor Schäden entstehen können.

Beim ersten Einschalten dieser Einheiten leuchtet die Extremspannungsanzeige und das rote "EVS"-Schild erscheint oben an der Messgerätelinse, wenn die Eingangsspannung über dem Extremspannungsgrenzwert liegt.

HINWEIS: Falls die Netzspannung den hohen Spannungsgrenzwert überschreitet und bewirkt hat, dass der EVS-Kreis die Ausgänge des PL-PRO DMC E abgeschaltet hat, kann die Spannung nur durch Aus- und Einschalten des Geräts seitens des Bedieners wiederhergestellt werden. Vermeiden Sie das Wiedereinschalten des Geräts ohne vorherige Feststellung der Ursache des Problems und (gegebenenfalls) dem Wechsel der Wechselspannungsquelle.

PROTECTION OK-ANZEIGE:

Obwohl der SMP-Kreis des Furman nahezu wartungsfreien Schutz vor Transientenspannungen und Spitzen gewährleistet, treten in der Natur gelegentlich elektrische Kräfte auf, die jenseits der Unterdrückungsfähigkeiten IRGENDINES Spannungsspitzenunterdrückers liegen, so dass zumindest ein Teilschaden entsteht (wie bei einem direkten Blitzschlag, der in eine Anwendung im Freien einschlägt). In den seltenen Fällen, in denen dies auftritt, wird die grüne "Protection OK"-LED unten rechts von der Messgerätelinse dunkel.

HINWEIS: Die Power Conditioner der Classic Serie von Furman gleichen keine hohe oder niedrige Leitungsspannung aus. Falls Sie Ihr Rack häufig zu anderen Orten bewegen, an denen Energie von Generatoren bezogen wird, sehr lange Verlängerungskabel verwendet werden, Sie international reisen oder sich in einem Bereich mit einer Tendenz zu Spannungsabfällen befinden, hilft Ihnen wahrscheinlich der Einsatz der Furman Wechselspannungsregler weiter.

SCHALTBARES DIGITALES VOLTMETER UND AMPEREMETER FÜR ECHT-RMS-STROM:

Das digitale Präzisions-Wechselspannungs-Laborvoltmeter von Furman misst kontinuierlich die Eingangsspannungen innerhalb eines typischen Toleranzbereichs von +/- 3,0VAC. Bitte beachten Sie, dass der Spannungswert für die Eingangsspannung gilt.

Das digitale Amperemeter von Furman für Echt-RMS misst kontinuierlich die Wechselstromlast des Gesamtkreises +/- 0,5 Ampere. Da diese Messgeräte über Echt-RMS-Technologie verfügen, sind die Strommessungen genau, egal, welche Lastbedingungen vorherrschen (kapazitiv, induktiv oder ohmsch).

Um zwischen Spannung und Strom umzuschalten, drücken Sie auf die Taste "Line Voltage/Current". Halten Sie diese Taste zwei Sekunden lang gedrückt, um die Helligkeit der Anzeige abzudunkeln.

SPANNUNGSBEREICHSANZEIGE:

Diese Anzeige befindet sich in der unteren linken Ecke der Linse des digitalen Volt-/Amperemeters. Liegt die Wechselspannung innerhalb von 5 Volt (+/-) der Nennspannungsquelle von 216 bis 244 VAC, leuchtet diese dreifarbige Anzeige grün (optimal). Liegt die Spannung jedoch zwischen 205 bis 215VAC oder zwischen 245 bis 255 VAC, wird die Anzeige bernsteinfarben (Vorsicht – nicht optimal). Liegt die Eingangsspannung in einem Extrembereich (unter 205 oder über 255), wird die Anzeige rot. Dieser Bereich ist alles andere

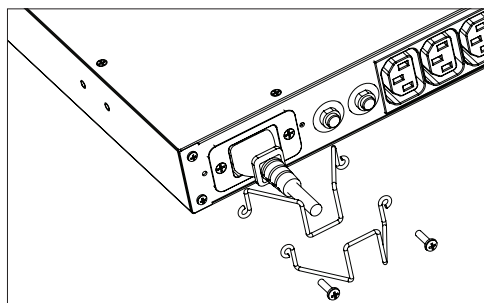
als optimal, und es besteht die Gefahr, dass Ausrüstung beschädigt wird.

USB-LADEGERÄT:

Das Furman PL-PRO DMC E USB-Ladegerät bietet eine bequeme Möglichkeit, viele beliebte elektronische Geräte sowie Handys zu laden, indem einfach das Ladekabel in die frontseitige Buchse gesteckt wird. Beachten Sie bitte, dass es derzeit viele USB-Standards gibt. Einige Geräte sind möglicherweise nicht mit unserem Ladegerät kompatibel.

SICHERUNGSKLAMMER FÜR EINGANGSSEITIGE WECHSELSTROMSLEITUNG:

Die abnehmbare Wechselstromleitung des Furman PL-PRO DMC E wird mit einer zweiteiligen Sicherungsklammer geliefert. Die zweiteilige Sicherungsklammer aus verchromtem Draht (im Beutel der Wechselstromleitung) lässt sich leicht an den Gewindebohrungen auf beiden Seiten des Wechselstromeingangs anschließen und kann mit einem Kreuzschraubendreher in Sekunden angebracht werden.



TROUBLESHOOTING

- 1.) Symptom:** Keine Spannung an den Wechselstromausgängen.
- Mögliche Ursache:** Die Sicherung (an der Rückplatte – neben der Wechselstromeingangsleitung) ist aufgrund einer Überlastung durch gebrannt.
- Erforderliche Maßnahme:** Ziehen Sie einen Gerätestecker aus dem Furman Conditioner heraus und drücken Sie die runde Rückseite der Sicherung in den Deckring der Sicherung.
- 2.) Symptom:** Keine Spannung an den Wechselstromausgängen. Die "Protection OK"-Anzeige leuchtet nicht.
- Mögliche Ursache:** Entweder der Wechselstromausgang, mit dem Ihr Furman Conditioner verbunden ist, führt keine Wechselspannung, oder der Schutzkreis in Ihrem Gerät hat ausgelöst.
- Erforderliche Maßnahme:** Stecken Sie den Furman Conditioner in eine Wechselstromsteckdose mit einer Nennspannung von 220-240 VAC. Liegt das Problem weiterhin vor, nehmen Sie zwecks Service Kontakt mit Furman auf.
- 3.) Symptom:** Extremspannungsanzeige (EVS) leuchtet.
- Mögliche Ursache:** Die Eingangsspannung überschreitet 275V, wodurch die Spannung zu den Geräteausgängen abgeschaltet wird. Darüber hinaus verhindert das Gerät bei einer Spannung unter 175V beim Einschalten, dass Wechselspannung an die Ausgänge gelangt.
- Erforderliche Maßnahme:** Sorgen Sie für die richtige Leitungsspannung und schalten Sie den Furman Conditioner anschließend ein. Falls die vorhandene Spannung 215 VAC unter- oder 245 VAC überschreitet, ziehen Sie die Installation eines Furman Spannungsreglers in Erwägung.

SERVICE

Sollten Sie technischen Support oder Geräteservice benötigen, nehmen Sie bitte Kontakt mit der Furman Serviceabteilung (707-763-1010) auf. Sie können auch ein E-Mail an techsupport@furmansound.com schicken.

Jegliche zur Reparatur zurückgeschickte Ausrüstung muss eine RA-Nummer (Return Authorization) haben. Um eine RA-Nummer zu erhalten, sprechen Sie mit der Furman Abteilung für Kundenservice.

Bevor Sie ein Gerät zur Reparatur zurückschicken, stellen Sie sicher, dass es hinreichend verpackt und gegen Transportschäden abgefedert und versichert ist. Wir empfehlen, die Originalverpackung aufzubewahren und zum Versand des Produkts zu verwenden. Legen Sie auch eine Notiz mit Ihrem Namen, Ihrer Anschrift, Ihrer Telefonnummer, der RA-Nummer und einer Fehlerbeschreibung bei.

EINGESCHRÄNKTE 5-JAHRES-GARANTIE

BEWAHREN SIE IHRE QUITTUNG AUF! Die Quittung dient als Kaufbeleg und bestätigt, dass das Produkt bei einem autorisierten Furman Händler bezogen wurde. Sie muss Furman vorgelegt werden, damit Garantieanträge bearbeitet werden können. Furman, eine Marke von Panamax Inc., gewährleistet für sein Produkt PL-PRO DMC E (das "Produkt") folgendes: Furman gewährleistet dem Originalkäufer des Produkts für einen Zeitraum von fünf Jahren ab Kaufdatum, dass das hiermit verkaufte Produkt frei von Material- und Verarbeitungsschäden ist. Sollte das Produkt dieser eingeschränkten Garantie während des Garantiezeitraums nicht entsprechen (gemäß Beschreibung oben), muss der Verkäufer Furman über E-Mail (techsupport@furmansound.com) benachrichtigen. Falls Schäden der Art vorliegen, die von dieser Garantie abgedeckt werden, berechtigt Furman den Käufer, das Produkt an den Furman-Hauptsitz zurückzuschicken. Garantieanträge MÜSSEN von einer Kopie der ursprünglichen Kaufrechnung bzw. der Quittung mit dem Kaufdatum begleitet werden. Die Versandgebühren an den Furman-Hauptsitz müssen vom Käufer des Produkts in Vorkasse gezahlt werden. Furman muss auf eigene Kosten ein Austauschprodukt bereitstellen, oder, wahlweise, das defekte Produkt instand setzen. Die Rückversandkosten an den Käufer übernimmt Furman. **DAS VORANGEGANGENE GILT AUSSCHLIESSLICH UND ERSETZT ALLE ANDEREN AUSDRÜCKLICHEN ODER STILLSCHWEIGENDEN GEWÄHRLEISTUNGEN, EINSCHLIESSLICH DER VERTRAGLICH ZUGESICHERTEN GEWÄHRLEISTUNG DER EIGNUNG FÜR EINEN BESTIMMTEN ZWECK.** Furman übernimmt keine Garantie bei Schäden, die durch einen falschen Gebrauch oder Umgang mit dem Produkt oder eine falsche Installation entstanden sind. Diese Garantie ist von Furman nach eigenem Ermessen aufhebbar, wenn das Produkt ohne die schriftliche Genehmigung seitens Furmans oder Panamax Inc. in irgendeiner Art verändert wurde. Diese Garantie deckt auch nicht Produkte ab, an denen Reparaturen von Personen durchgeführt oder versucht wurden, die keine schriftliche Berechtigung seitens Furmans oder Panamax Inc. haben. **DIESE GARANTIE IST AUSSCHLIESSLICH.** Die einzige und ausschließliche Verpflichtung seitens Furmans besteht darin, das defekte Produkt auf die oben erwähnte Weise und im oben genannten Zeitraum zu reparieren oder zu erneuern. Furman übernimmt keinerlei weitere Verpflichtungen im Hinblick auf die Produkte oder deren Teile, gleichgültig, ob basierend auf Vertrags-, Delikts-, Kausal-, Gefährdungshaftung oder sonstigem. Unter keinen Umständen, ob basierend auf dieser eingeschränkten Garantie oder Sonstigem, haftet Furman für beiläufig entstandene, spezielle, oder Folgeschäden. Diese eingeschränkte Garantie stellt die gesamte Verpflichtung seitens Furmans im Hinblick auf das Produkt dar. Sollte sich herausstellen, dass ein Teil dieser eingeschränkten Garantie ungültig oder nicht rechtmäßig ist, bleibt der Rest weiterhin voll wirksam und gültig.

TECHNISCHE DATEN

STROMAUFNAHME:

16 Ampere

BETRIEBSSPANNUNG:

180 bis 274 VAC

ÜBERSPANNUNGSABSCHALTUNG:

275 VAC typisch

SPANNUNGSSPITZEN-SCHUTZMODI:

Leitung gegen Nullleiter, Fehlerstrom-Schutzschaltung

SPITZEN-CLAMPING-SPANNUNG:

376 VAC Spitze @ 3,000 Ampere, 266 VAC RMS (getestet nach UL-1449 und USA / CIDA A-1-1, 6,000 VAC @ 3,000 Ampere)

ANSPRECHZEIT:

1 Nanosekunde

MAXIMALER STOSSSTROM:

6.500 Ampere

GERÄUSCHUNTERDRÜCKUNG:

10 dB @ 10 kHz, 40 dB @ 100 kHz, 50 dB @ 500 kHz, Lineare Unterdrückungskurve ab 0,05 - 100 Ohm Leitungsimpedanz

ABMESSUNGEN:

1.75" H x 19" B x 10.5" T.

GEWICHT:

12 Pfund (5.5 kg)

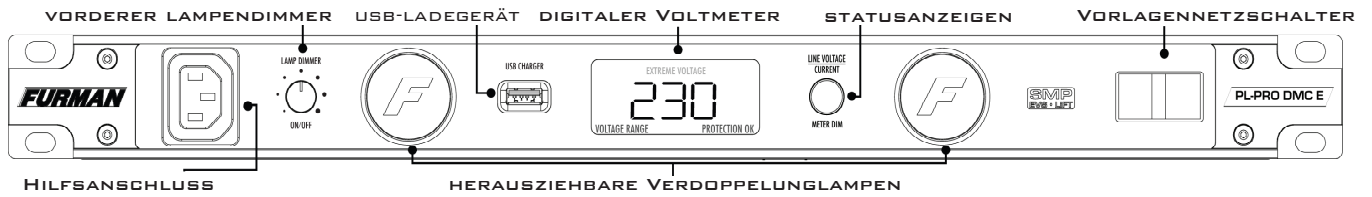
KONSTRUKTION:

Stahlchassis, gebürstete und schwarz eloxierte 0,120"-Frontplatte; Glas-Epoxyd-Leiterplatten

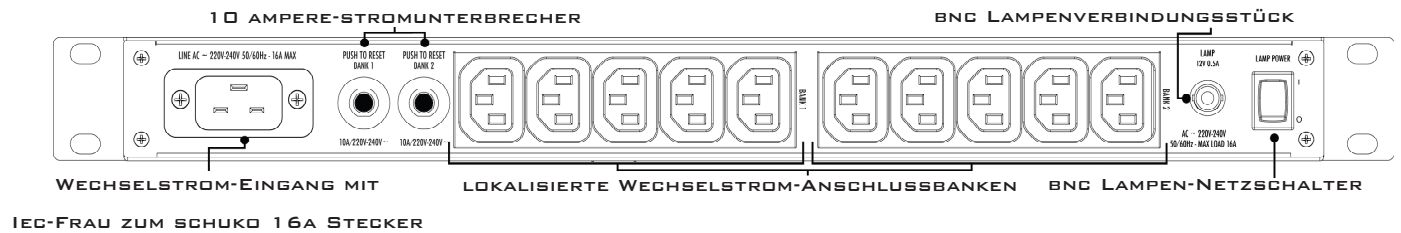
LEISTUNGS-AUFNAHME:

25 VA

PL-PRO DMC E FRONTVERKLEIDUNG



PL-PRO DMC E RÜCKWANDBLECH



ОТЛИЧИТЕЛЬНЫЕ ОСОБЕННОСТИ СТАБИЛИЗАТОРА PL-PRO DMC E КОМПАНИИ FURMAN

- **SMP** (последовательная многоступенчатая защита) с **EVS** (отключение по предельно высокому напряжению)
- **LiFT** (технология линейной фильтрации) с полным подавлением помех по земляной шине
- Цифровой прецизионный лабораторный измеритель тока и напряжения с регулировкой яркости и возможностью переключения на измерение действующего тока или напряжения
- Трехцветный индикатор диапазона напряжения
- Две выдвижных светодиодных лампы **Smooth Track** с большим сроком службы и малым тепловыделением, установленных на передней панели для освещения стойки. На передней панели предусмотрен и совмещенный выключатель-регулятор для этих фонарей.
- Устройство зарядки через разъем USB, установленный на передней панели
- BNC-разъем на задней панели для подключения любой стандартной лампы на гибкой опоре (12 В пер. тока, 0,5 А) с целью освещения задней стороны вашей стойки (для этой цели лучше всего подходят лампы GN-I и GN-LED компании Furman)
- одна выходная сетевая розетка на передней панели и десять выходных розеток на задней панели
- Номинальный ток (номинальная мощность) 16 А (3680 Вт) с выключателем на 16А
- Ограниченная гарантия на 5 лет

ВВЕДЕНИЕ

Благодарим за покупку стабилизатора компании Furman серии Classic и поздравляем с отличным выбором. В стабилизаторах серии Classic применены революционные разработки компании Furman – схема последовательной многоступенчатой защиты (**SMP**), схема отключения по предельно высокому напряжению (**EVS**) и наша первоклассная технология линейной фильтрации (**LiFT**). Объединение этих технологий позволяет покупателям наших продуктов получить именно то, что они привыкли ожидать от компании Furman – надежную защиту и фильтрацию помех по переменному току. Наши стабилизаторы серии Classic разработаны даже с превышением жестких требований профессионалов в области аудио/ видеотехники, поставщиков, телерадиовещательных компаний и музыкантов.

SMP (ПОСЛЕДОВАТЕЛЬНАЯ МНОГОСТУПЕНЧАТАЯ ЗАЩИТА)

Подавление бросков напряжения схемой SMP компании Furman позволяет почти полностью исключить необходимость обращения в службу технической поддержки и дорого обходящиеся простои. Обычные схемы ограничения перенапряжений при возникновении многократных импульсов переходного напряжения жертвуют собой, после чего приходится разбирать вашу систему и ремонтировать ограничитель перенапряжений. SMP компании Furman действует иначе. Она надежно поглощает, ограничивает и рассеивает опасные переходные напряжения. Защищая себя, ваш стабилизатор Furman защищает и подключенное к нему оборудование!

Уникальность схемы SMP компании Furman объясняется не имеющем себе равных напряжением отсечки, определяемом как величина напряжения, пропускаемого на ваше оборудование, когда на устройство защиты поступает импульс переходного напряжения. Другие устройства обеспечивают напряжения отсечки намного выше 600 Vп., а схема SMP компании Furman – 376 Vп. (действующее напряжение 266 В пер. тока) даже при испытании несколькими последовательными импульсами 6000 Vп. при токе 3000 А! Такой беспрецедентный уровень защиты обеспечивает только технология SMP компании Furman.

EVS (ОТКЛЮЧЕНИЕ ПО ПРЕДЕЛЬНО ВЫСОКОМУ НАПРЯЖЕНИЮ)

Надежная схема отключения по перенапряжению (EVS) компании Furman обеспечивает защиту в условиях длительного воздействия перенапряжения, например, при случайном подключении к источнику 330+ В пер. тока или при перемежающемся замыкании на землю. Такая защита осуществляется путем контроля входного напряжения и, при обнаружении опасного состояния, срабатывания реле, отключающего входное питание до устранения перенапряжения и повторного включения выключателя питания.

LiFT (ТЕХНОЛОГИЯ ЛИНЕЙНОЙ ФИЛЬТРАЦИИ)

К сожалению, обычные стабилизаторы переменного тока разрабатываются для нереальных лабораторных условий. Прежние технические средства (многополюсные или обычные последовательно включенные фильтры) в реальных условиях могут скорее ухудшить, чем улучшить характеристики аудио-видео техники из-за резонансных импульсов в их устаревших нелинейных схемах. В некоторых условиях эти схемы могут даже добавить к шумам входной линии переменного тока собственный шум амплитудой свыше 10 дБ. Более того, из-за больших бросков напряжения и передающегося по приборной «земле» шума электрической сети часто происходит потеря цифровых данных, необходимость повторной установки цифровых настроек или выход из строя чувствительных цифровых преобразователей. В технологии LiFT компании Furman используется

иной подход, обеспечивающий оптимальные характеристики благодаря линейной фильтрации шума электрической сети без внесения шумов в цепи заземления.

дополнительные возможности стабилизатора PL-PRO DMC E

В стабилизаторе PL-PRO DMC E установлены светодиодные лампы освещения стойки **Smooth Track**, практически не выделяющие тепла и имеющие очень большой срок службы. Регулятор освещения стойки позволяет пользователю изменить уровень освещения (поворотом кнопки-ручки) или выключить лампу (нажатием кнопки-ручки). К установленному на задней стенке разъему BNC можно подключить стандартную лампу на гибкой опоре (12 В пер. тока 0,5 А) для освещения задней стороны стойки.

Кроме того, в стабилизаторе PL-PRO DMC E предусмотрен переключаемый цифровой прецизионный лабораторный измеритель, показывающий входное напряжение с дискретностью 1 В или действующий ток с дискретностью 0,1 А. Погрешность вольтметра $\pm 3,0$ вольт. Этот измеритель снабжен трехцветным индикатором диапазона напряжения. Индикатор позволяет пользователю проверить, находится ли напряжение в допустимом диапазоне, даже находясь на большом расстоянии, с которого точное значение напряжения не видно.

В стабилизаторе PL-PRO DMC E установлена одна выходная сетевая розетка на передней панели и десять выходных сетевых розеток на задней панели. Чтобы обеспечить номинальный ток 16 А (мощность 3680 Вт), питание стабилизатора PL-PRO DMC E осуществляется по надежному отсоединяемому сетевому шнуру длиной 2,5 метра с проводами диаметром 1,5 мм, снабженному фиксатором (стандартный шнур с разъемами IEC C-19 и Shuko, в качестве дополнительной принадлежности можно приобрести и сетевые шнуры с другими разъемами).

сведения по технике безопасности

Чтобы получить наилучшие результаты от вашего стабилизатора серии Classic компании Furman, перед его использованием прочтите внимательно настоящую инструкцию.

предупреждение

Чтобы снизить опасность поражения электрическим током, не оставляйте данное оборудование под дождем и не допускайте попадания влаги в него. Под крышкой опасное для жизни напряжение. Не снимайте крышку. Техническое обслуживание должен осуществлять только квалифицированный специалист. Символ молнии со стрелкой предупреждает пользователя о наличии в приборе неизолированного опасного напряжения, величина которого может быть достаточной для поражения электрическим током.

важные правила техники безопасности

(Изучите перед установкой)

1. Перед установкой стабилизатора серии Classic компании Furman следует прочесть инструкцию по технике безопасности и эксплуатации и соблюдать все указанные в ней правила. Сохраните эту инструкцию на будущее.
2. Ваш стабилизатор серии Classic недопустимо использовать вблизи воды, например, рядом с ванной, умывальником, кухонной мойкой, тазом с замоченным бельем, в сыром подвале или рядом с плавательным бассейном.
3. Не устанавливайте стабилизатор вблизи источников повышенного тепла, например, радиаторов, теплосчетчиков, печей или других бытовых приборов со значительным тепловыделением.
4. Стабилизатор PL-PRO DMC E компании Furman разрешается подключать только в заземленную розетку на 220-240 В переменного тока частотой 60 Гц с допустимым током 16 А. Недопустимо обрезать земляной контакт и подключать сетевую вилку в перевернутом положении.
5. Уложите шнур питания и другие кабели так, чтобы нельзя было на них наступить, за них запнуться или их натянуть. Особое внимание обратите на состояние шнуров и кабелей возле вилок и места выхода из стабилизатора. Для исключения риска пожара или травмы поврежденные шнуры и кабели следует немедленно заменить.
6. Протирайте стабилизатор только влажной тряпкой. Не используйте растворители или абразивные очистители. Ни в коем случае не допускайте попадания жидкости на прибор или в него.
7. Ваш стабилизатор компании Furman следует передать на техобслуживание квалифицированному ремонтнику в следующих обстоятельствах:
 - Износ, перегиб или обрыв шнура или вилки питания.
 - Попадание предмета или жидкости внутрь прибора.

- Оставление прибора под дождем или в условиях повышенной влажности.
- Отклонение от нормальной работы прибора.
- Отсутствие свечения индикатора "Protection OK".
- Падение прибора или повреждение его корпуса.
- Отказ выдвигаемых светодиодных ламп.

8. Для надлежащей работы вашего стабилизатора компании Furman необходимо защитное заземление. Включение прибора без защитного заземления считается нарушением правил эксплуатации с возможным отказом от гарантийных обязательств.

9. Не пытайтесь производить какие-либо операции техобслуживания стабилизатора, не описанные в настоящей инструкции. Все не рассмотренные в инструкции операции техобслуживания следует поручить квалифицированному ремонтнику.

порядок эксплуатации

выдвигаемые лампы освещения стойки **SMOOTH TRACK**, лампа задней панели и регулятор освещения:
В стабилизаторах серии Classic компании Furman используется регулятор освещения двух выдвигаемых ламп Smooth Track. Изменение яркости обеих ламп на передней панели осуществляется с помощью ручки регулятора. Чтобы увеличить яркость, поверните ее по часовой стрелке, чтобы уменьшить яркость - против часовой стрелки. Кроме того, эта ручка является и выключателем питания ламп без фиксации: при ее нажатии лампы включаются или выключаются. Когда лампы не используются, рекомендуем повернуть регулятор освещенности против часовой стрелки до упора или выключить лампы, нажав кнопку. Это повысит срок службы светодиодов. В любом возможном положении и при любой регулировке яркости лампы не выделяют значительного тепла благодаря высокому КПД наших светодиодов с полным спектром видимого излучения.

На задней панели всех стабилизаторов серии Classic нашей компании имеется разъем BNC, к которому можно подключить лампу на гибкой опоре (например, GN-LED или GN-I компании Furman). Вставьте разъем BNC лампы в разъем BNC стабилизатора и поверните разъем лампы по часовой стрелке до щелчка. Включение и выключение лампы задней панели осуществляется с помощью выключателя, расположенного рядом с разъемом BNC.

индикатор отключения по предельно высокому напряжению (**EVS**):

В нормальном состоянии светодиодный индикатор EVS не горит. Он расположен в дисплее измерителя чуть выше синих светодиодов напряжения/ тока, и в нормальном состоянии его НЕ видно.

Схема EVS контролирует опасность, часто возникающую при проведении зрелищных мероприятий, во время внестудийных теле- и радиопередач, а также в сфере установки аудио-видеосистем – ошибки и неисправности в электропроводке. Например: случайное подключение к сети 330 В переменного тока, когда ожидается 220-240 В переменного тока, или разрыв нейтрали между электропроводкой на 330 В переменного тока. Схема EVS компании Furman обнаруживает высокое напряжение, при котором работа не возможна, и отключает питание до возникновения повреждений.

Если при первоначальной подаче питания на эти стабилизаторы входное напряжение оказывается выше уровня отключения по предельному напряжению, то загорается индикатор «Extreme Voltage», а в верхней части дисплея измерителя появляется красная надпись «EVS».

примечание: Если напряжение в сети превысило уровень отключения по предельно высокому напряжению, и схема EVS отключила питание выходных розеток стабилизатора PL-PRO DMC E, то автоматически напряжение на выходных розетках не восстанавливается, оператору необходимо вручную выключить и снова включить стабилизатор. Не включайте стабилизатор повторно, не выяснив причину проблемы и не заменив (при необходимости) источник переменного тока.

индикатор нормальной работы «**PROTECTION OK**»:

Хотя схема SMP компании Furman обеспечивает практически бесперебойную защиту от импульсов переходного напряжения, иногда в природе возникают электрические силы, справиться с которыми без некоторых повреждений не может ни одно устройство ограничения перенапряжений (например, прямой удар молнии в прибор наружной установки). В тех редких случаях, когда возникают такие ситуации, яркость свечения зеленого индикатора «Protection OK», расположенного в нижней правой части дисплея измерителя, снижается.

примечание: Стабилизаторы серии Classic компании Furman не компенсируют повышенное или пониженное напряжение в сети переменного тока. Если вы часто переносите свою стойку в разные места, получаете питание от генераторов, используете очень длинные удлинители, отправляетесь в другие страны или находитесь в районе с частым снижением напряжения, то,

возможно, вам имеет смысл приобрести один из регуляторов переменного напряжения компании Furman.

Переключаемый цифровой измеритель напряжения и действующего тока:

Цифровой прецизионный лабораторный вольтметр переменного тока компании Furman постоянно измеряет входное напряжение с типовой погрешностью +/- 3,0 В пер. тока. Следует отметить, что вольтметр показывает значение входного напряжения.

Цифровой прецизионный лабораторный амперметр действующего тока компании Furman постоянно измеряет общий ток всех подключенных нагрузок с типовой погрешностью +/- 0,5 А. Эти измерители определяют действующие значения тока, поэтому их показания правильны при любых нагрузках (емкостных, индуктивных или резистивных).

Переключение между измерением напряжения и измерением тока осуществляется нажатием на кнопку с надписью «Line Voltage/Current» (линейное напряжение/ ток). Для регулировки яркости дисплея удерживайте эту кнопку нажатой в течение двух секунд.

Индикатор диапазона напряжения:

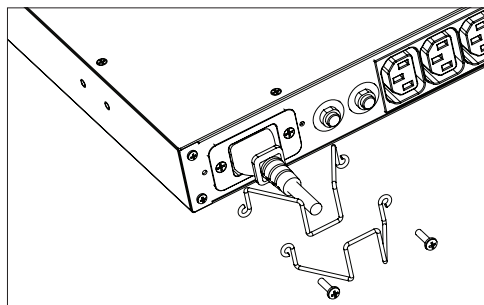
Этот индикатор расположен в нижнем левом углу дисплея цифрового измерителя напряжения/ тока. Если сетевое напряжение не выходит за границы диапазона 216 – 244 В переменного тока, этот трехцветный индикатор горит зеленым цветом (оптимальное напряжение). Если напряжение находится в диапазоне 205 – 215 В пер. тока или в диапазоне 245 – 255 В пер. тока, индикатор горит желтым цветом (внимание – не оптимальное напряжение). Если входное напряжение в диапазоне предельных значений (ниже 205 или выше 255 В), индикатор горит красным цветом. Напряжения этого диапазона не только не оптимальны, но и могут быть опасны для некоторых устройств.

Устройство зарядки через разъем USB:

Устройство зарядки через разъем USB в стабилизаторе PL-PRO С позволяет легко подзарядить многие широко распространенные электронные аппараты и аппараты сотовой связи, вставив шнур подзарядки в разъем USB на передней панели. Следует отметить, что в настоящее время существует много стандартов USB, поэтому некоторые аппараты могут быть несовместимы с нашим зарядным устройством.

фиксатор входного сетевого шнура:

Отсоединяемый шнур стабилизатора PL-PRO DMC E компании Furman поставляется с фиксатором, состоящим из двух частей. Фиксатор, состоящий из двух хромированных проволочных частей, (находится в пакете с сетевым шнуром) легко закрепляется в резьбовых отверстиях с обеих сторон входного сетевого гнезда. При помощи стандартной крестовой отвертки его можно установить в течение нескольких секунд.



устранение неисправностей

- | | |
|------------------------------|---|
| 1.) Симптом: | В выходных розетках переменного тока нет напряжения. |
| Возможная причина: | Из-за повышенного тока нагрузки сработал автоматический выключатель (расположенный на задней панели рядом со шнуром питания). |
| Необходимое действие: | Отсоедините какой-либо прибор от стабилизатора и нажмите круглую кнопку сброса в корпусе выключателя. |
| 2.) Симптом: | В выходных розетках переменного тока нет напряжения, индикатор “Protection OK” не горит. |

Возможная причина: Нет напряжения в сетевой розетке, в которую включен ваш стабилизатор, или неисправна схема защиты в вашем стабилизаторе.

Необходимое действие: Подсоедините стабилизатор компании Furman в сетевую розетку, где есть номинальное напряжение 220 - 240 В переменного тока. Если проблема не исчезла, обратитесь в компанию Furman.

3.) Симптом: Горит индикатор «Extreme Voltage (EVS)».

Возможная причина: Входное напряжение выше 275 В, из-за чего питание на выходные розетки стабилизатора не подается. Кроме того, если при включении стабилизатора напряжение на входе ниже 175 В, стабилизатор запрещает передачу напряжения переменного тока на выходные розетки.

Необходимое действие: Устраните проблему с сетевым напряжением, а затем вновь включите стабилизатор компании Furman. Если имеющееся напряжение ниже 215 или выше 245 В переменного тока, рассмотрите необходимость установки регулятора напряжения компании Furman.

техническое обслуживание

За необходимой технической поддержкой или техобслуживанием оборудования обращайтесь в отдел технического обслуживания компании Furman по телефону 707-763-1010. Кроме того, можно послать письмо по электронной почте techsupport@furmansound.com.

Отправляемое в ремонт оборудование должно иметь номер возврата товара. Для получения номера возврата товара обратитесь в отдел работы с клиентами компании Furman.

Отправляемое в ремонт оборудование следует упаковать в прочную тару с амортизирующим наполнителем, защищающим от повреждений при транспортировке, и застраховать. Рекомендуем сохранить оригинальную упаковку и использовать ее при отправке продукта на техническое обслуживание. Кроме того, вложите в упаковку письмо с указанием вашей фамилии, адреса, номера телефона, номера возврата товара и описания проблемы.

ОГРАНИЧЕННАЯ ГАРАНТИЯ НА 5 ЛЕТ

СОХРАНИТЕ ЧЕК! Чек является вашим доказательством покупки и подтверждает, что продукт был приобретен у официального дилера компании Furman. Гарантийные рекламации рассматриваются только при предъявлении компании Furman этого чека. Компания Furman, являющаяся торговой маркой компании Panamax Inc., предоставляет на свой PL-PRO DMC E (далее «Продукт») следующие гарантии: Компания Furman гарантирует первоначальному покупателю продукта, что продукт, проданный в соответствии с настоящей гарантией, не будет иметь дефектов из-за материалов и некачественного изготовления в течение пяти лет с момента покупки. Если продукт перестанет соответствовать положениям настоящей Ограниченной гарантии в течение гарантийного периода (как указано выше), то покупатель должен уведомить компанию Furman о заявляемых дефектах, позвонив или отправив письмо по электронной почте techsupport@furmansound.com. Если настоящая гарантия распространяется на дефекты данного типа и характера, компания Furman предоставит покупателю право вернуть продукт в свое головное отделение. К гарантийной рекламации НЕОБХОДИМО приложить копию счета или чека первоначальной покупки, на котором указана дата покупки. Расходы по доставке в головное отделение компании Furman на условиях предоплаты несет покупатель продукта. Компания Furman по своему усмотрению за свой счет предоставляет покупателю замену бракованного продукта или ремонтирует бракованный продукт. Расходы на обратную доставку продукта покупателю оплачивает компания Furman. **ВЫШЕИЗЛОЖЕННАЯ ГАРАНТИЯ ЗАМЕНЯЕТ СОБОЙ ВСЕ ДРУГИЕ ГАРАНТИИ, ПРЯМО ОГОВОРЕННЫЕ ИЛИ ПОДРАЗУМЕВАЕМЫЕ, В ТОМ ЧИСЛЕ ПОДРАЗУМЕВАЕМЫЕ ГАРАНТИИ ТОВАРНОЙ ПРИГОДНОСТИ И ПРИГОДНОСТИ К КОНКРЕТНОЙ ЦЕЛИ ИСПОЛЬЗОВАНИЯ.** Компания Furman не гарантирует отсутствие повреждений или дефектов при ненадлежащем использовании продукта, неправильном обращении с продуктом или ненадлежащей установке продукта. Компания Furman по своему единоличному усмотрению может отказаться от настоящих гарантийных обязательств, если в продукт внесены какие-либо изменения без письменного разрешения компаний Furman или Panamax Inc. Кроме того, настоящая гарантия не распространяется на продукты, которые ремонтировали или пытались отремонтировать лица, не имеющие письменного разрешения компаний Furman или Panamax Inc. **НАСТОЯЩАЯ ГАРАНТИЯ ЯВЛЯЕТСЯ ИСКЛЮЧИТЕЛЬНОЙ.** Единственной и исключительной обязанностью компании Furman является ремонт или замена бракованного продукта указанным выше способом в течение указанного выше периода. Компания Furman не принимает на себя никаких других обязательств по отношению к данному продукту или любой его части на основании контракта, деликта, объективной ответственности или иного положения. Ни при каких условиях, основанных на настоящей Ограниченной гарантии или не основанных, компания Furman не несет ответственность за случайные, косвенные убытки или реальные убытки, определяемые особыми обстоятельствами. В настоящей Ограниченной гарантии перечислены все без исключения обязательства компании Furman в отношении настоящего продукта. Если какая-либо часть настоящей Ограниченной гарантии

будет признана недействительной или незаконной, остальные ее положения остаются в полной силе и действии.

характеристики

Номинальный ток:
16 ампер

Рабочее напряжение:
От 90 до 140 В переменного тока

Отключение по предельно высокому напряжению:
обычно 140 В переменного тока

Режимы защиты от бросков напряжения
между фазой и нейтралью, с нулевым током утечки на землю

Напряжение отсечки импульсов
пиковое напряжение 188 В пер. тока при 3000 А, действующее напряжение 133 В пер. тока

Время реакции:
1 наносекунда

Максимальный импульсный ток:
6500 ампер

Понижение уровня шума:
10 дБ при 10 кГц, 40 дБ при 100 кГц, 50 дБ при 500 МГц
характеристика понижения уровня шума в диапазоне импеданса линии от 0,05 до 100 Ом

Размеры:
Высота 4,5 см, длина 48 см, ширина 27 см.

Вес:
12 фунтов (5.5 кг)

Конструктивное исполнение:
Стальной корпус, черная передняя панель из листового анодированного алюминия толщиной 0,3 мм, стеклоэпоксидные печатные платы

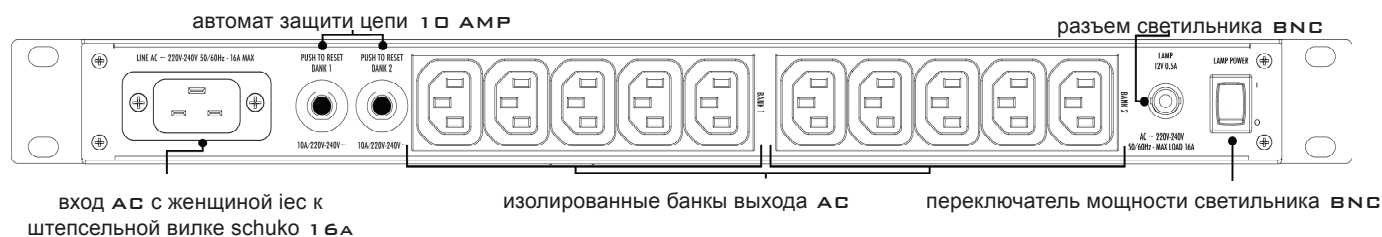
Потребляемая мощность:
12 ватт

ПЕРЕЧИСЛЕНИЕ АГЕНСТВА БЕЗОПАСНОСТИ:
CE

PL-PRO DMC E передняя панель



PL-PRO DMC E Задняя панель



NOTES:



NOTES:

FURMAN[®]

1690 Corporate Circle • Petaluma, California, USA 94954

Phone: 877-486-4738 • Fax: 707-763-1310

www.FurmanSound.com