

Quick start guide

This document contains important information on the safe use of the product. Read and follow the safety instructions and all other instructions. Keep the document for future reference. If you pass the product on to others, please include this document. Contents are subject to change. Please refer to the latest version of the documentation, which is available for download at www.thomann.de.

Safety instructions

Intended use

This device is intended to be used for the wireless transmission of audio signals, particularly voice transmission during guided tours and events. Use the device only as described in this user manual. Any other use or use under other operating conditions is considered to be improper and may result in personal injury or property damage. No liability will be assumed for damage resulting from improper use. This device may be used only by persons with sufficient physical, sensory, and intellectual abilities and the necessary knowledge and experience. Other persons may use this device only if they are supervised or instructed by a person who is responsible for their safety.

Risk of injury and choking hazard for children!



Children can suffocate on packaging material and small parts. Children can injure themselves when handling the device. Never allow children to play with the packaging material and the device. Always store packaging material out of the reach of babies and small children. Always dispose of packaging material properly when it is not in use. Never allow children to use the device without supervision. Keep small parts away from children and make sure that the device does not shed any small parts (such as knobs) that children could play with.

Risk of injury due to incorrect handling of lithium batteries!



In the event of a short circuit, overheating or mechanical damage, lithium batteries can cause severe injuries. Handle lithium batteries in a correct and professional manner. Store lithium batteries in a cool and dry place in their original packaging. Keep lithium batteries away from sources of heat. Never open lithium batteries. Only charge rechargeable lithium batteries with a suitable charger. Remove the lithium batteries before disposing of the device. Cover the poles of used lithium batteries with adhesive tape to prevent short circuits. Electrolyte can escape from damaged lithium batteries. Put the damaged lithium battery in air-tight packaging. Collect the electrolyte with absorbent paper. Wear rubber gloves while doing so.

Damage to the external power supply due to high voltages!



The device is powered by an external power supply. The external power supply can be damaged if it is operated with the incorrect voltage or if high voltage peaks occur. In the worst case, excess voltages can also cause a risk of injury and fires. Make sure that the voltage specification on the external power supply matches the local power grid before plugging in the power supply. Only operate the external power supply from professionally installed mains sockets that are protected by a residual current circuit breaker (FI). As a precaution, disconnect the power supply from the power grid when storms are approaching or if the device will not be used for a longer period.

Damage to the device if operated in unsuitable ambient conditions!



The device can be damaged if it is operated in unsuitable ambient conditions. Only operate the device indoors within the ambient conditions specified in the "Technical specifications". Avoid operating it in environments with direct sunlight, heavy dirt and strong vibrations. Avoid operating it in environments with strong temperature fluctuations. If temperature fluctuations cannot be avoided (for example after transport in low outside temperatures), do not switch on the device immediately. Never subject the device to liquids or moisture. Never move the device to another location while it is in operation. In environments with increased dirt levels (for example due to dust, smoke, nicotine or mist): Have the device cleaned by qualified specialists at regular intervals to prevent damage due to overheating and other malfunctions.

Risk of fire due to incorrect polarity!



Incorrectly inserted batteries may cause fires and destroy the device and the batteries. Observe the markings on the batteries and on the device. Ensure that proper polarity is observed when inserting batteries.

Possible damage due to leaking batteries!



Batteries can leak and cause permanent damage to the device. Remove the batteries from the device if it is not going to be used for an extended period of time.

Possible damage to lithium-ion batteries through incorrect storage!



Deep discharge can permanently damage lithium-ion batteries or cause them to lose some of their capacity. Charge the lithium-ion batteries before longer breaks in use and before storage. Ensure that the device is switched off for storage. Store the device at room temperature or cooler in an environment as dry as possible. Recharge the lithium-ion batteries about every three months if they are stored for a longer period of time to avoid permanent damage due to too deep self-discharge. Fully charge the lithium-ion batteries at room temperature immediately before use.

Interference with neighbouring electrical receivers due to electromagnetic field!



The device emits an electromagnetic field during operation. Using the device near receiver devices (e.g. radios or TV sets) may cause interference. If neighbouring receivers are disturbed by the operation of the device, increase the distance between the device and the receivers with interference.

General handling

- To prevent damage, never exert force while operating the device.
- Never immerse the device in water. Wipe only with a clean and dry cloth. Do not use liquid cleaners such as benzene, thinners or flammable cleaning agents

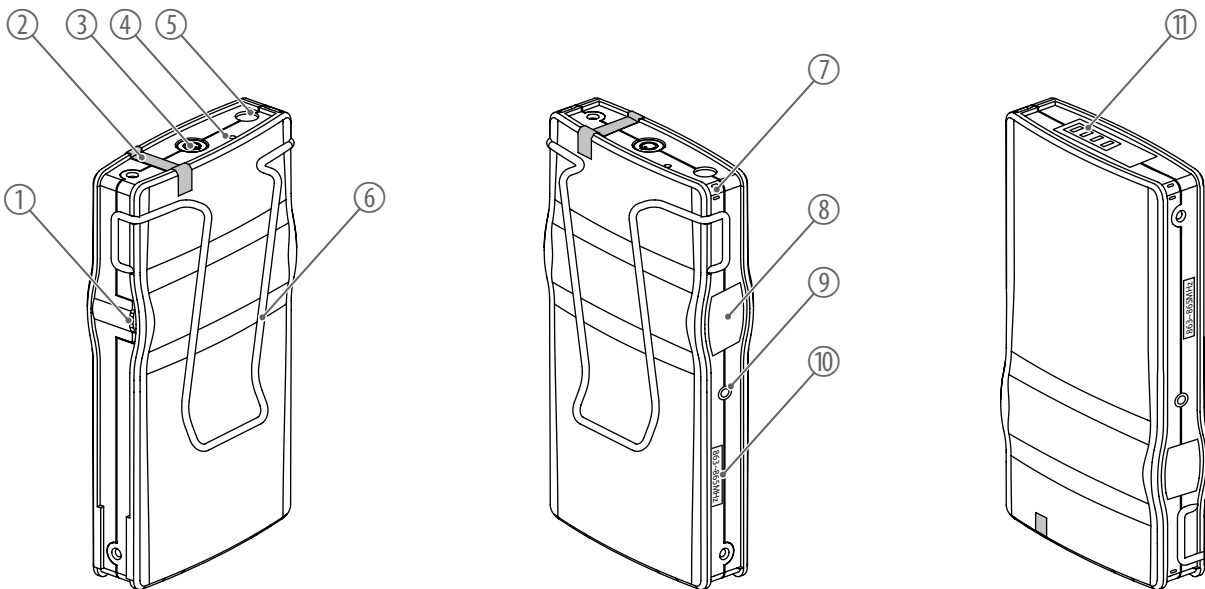
Keep the device away from impurities!

Keep the device away containers with liquid. Should liquid enter the device, this could lead to its destruction or fire. Ensure that no metallic parts enter the device.

Features

- Displays for set channel and operating status
- Integrated rechargeable lithium battery
- Charging contacts for charging stations TG C2 and TG C18
- Housing colour: Grey
- 3.5-mm connection for earphones
- Matching single earphone, band and belt clip (included)

Connections and controls



1. [VOL] | Volume control
2. LED to indicate the operating status. The LED lights up green when the device is turned on. It lights up red when the charge of the built-in battery is too low.
3. [POWER] | Main switch. Turns the device on and off. Press the switch for about one second to switch the device on, and about three seconds to turn it off.
4. [RESET] | Reset button for resetting the device to factory defaults
5. 3.5-mm jack socket for connecting the single earphone or other earphones.
6. Belt clip
7. Holes for threading the band.
8. Display
9. [CHANNEL] | Channel selection button. The transmitter and receiver must be set to the same channel.
10. Indication of the frequency range in which the device operates. The indication here must match the information on the transmitter.
11. Charging contacts

Operation

Preparing the device

Thread the supplied band through the corresponding holes on the upper right corner of the housing. Connect the supplied single earphone or other earphones to the corresponding socket. Make sure that the device is fully charged before using it.

Switching on the device

Press [POWER] until the indicator LED lights up green. The device is now operational.

Switching off the device

Press [POWER] until the indicator LED goes out. The device is now switched off.

Selecting a channel

The display on the side of the device indicates the channel that is currently set. To change the setting, press the button underneath the display until the decimal point on the display flashes. Press the button briefly to change to the next channel. The channel numbers are represented by the characters "0" ... "9", "A" ... "F". If you do not press the button for about six seconds, the device adopts the current settings. The transmitter and receiver must be set to the same channel.

Technical specifications

Functional principle	PLL synthesized control	Battery	Battery type	Lithium-ion
Number of systems that can be operated in parallel	3 systems		Voltage	3.7 V
Output connections	Earphones 1 × 3.5-mm jack socket		Operating time	14 h
Frequency range	863 MHz ... 865 MHz		Charging time in the device	approx. 8 h
Sensitivity	-95 dBm	Dimensions (W × H × D)	54 mm × 99 mm × 17 mm	
Antenna gain	2 dBi	Weight	80 g	
NF frequency response	40 Hz...18 kHz	Ambient conditions	Temperature range 0 °C...40 °C Relative humidity 20%...80% (non-condensing)	



Discover the entire t.bone range on our website:
tbone.audio



Visit us on Instagram and discover the full audio experience:
[tbone.audio/instagram](https://www.instagram.com/tbone.audio/)



Visit our YouTube channel for product videos and interesting stories:
[tbone.audio/youtube](https://www.youtube.com/tbone.audio/)



Environmentally friendly materials have been chosen for the packaging. These materials can be sent for normal recycling. Ensure that plastic bags, packaging, etc. are disposed of in the proper manner. Do not dispose of these materials with your normal household waste, but make sure that they are collected for recycling. Please follow the instructions and markings on the packaging.



Batteries must not be thrown away or burnt, but must instead be disposed of in line with the local regulations on the disposal of hazardous waste. Use the available collection points to do so. Only dispose of lithium batteries when they are empty. Remove lithium batteries from the device before disposal if this is possible without destroying it. Protect used lithium batteries against short circuit, for example by taping the poles. Dispose the built-in lithium batteries together with the device. Check for an appropriate collection facility. Dispose of the batteries and rechargeable batteries at the appropriate collection points or through your local waste facility.



This product is subject to the European Waste Electrical and Electronic Equipment Directive (WEEE) as amended. Do not dispose of your old device with your normal household waste; instead, deliver it for controlled disposal by an approved waste disposal firm or through your local waste facility. When disposing of the device, comply with the rules and regulations that apply in your country. If in doubt, consult your local waste management facility. Proper disposal protects the environment as well as the health of your fellow human beings. Also note that waste avoidance is a valuable contribution to environmental protection. Repairing a device or passing it on to another user is an ecologically valuable alternative to disposal. You can return your old device to Thomann GmbH at no charge. Check the current conditions on www.thomann.de. If your old device contains personal data, delete those data before disposing of it.



Observe the disposal note regarding documentation in France.