

**the**  
**box** **pro**

Achat 212 H  
passive subwoofer

Musikhaus Thomann  
Thomann GmbH  
Hans-Thomann-Straße 1  
96138 Burgebrach  
Germany  
Telephone: +49 (0) 9546 9223-0  
E-mail: [info@thomann.de](mailto:info@thomann.de)  
Internet: [www.thomann.de](http://www.thomann.de)

29.11.2017, ID: 247637 (V2)

---

## Table of contents

<b>1</b>	<b>General notes</b> .....	<b>4</b>
	1.1 Further information.....	5
	1.2 Symbols and signal words.....	6
<b>2</b>	<b>Safety instructions</b> .....	<b>8</b>
<b>3</b>	<b>Features</b> .....	<b>10</b>
<b>4</b>	<b>Installation</b> .....	<b>11</b>
	4.1 Tips on handling speakers.....	13
	4.2 Terminals for wiring 'Bass to 1'.....	14
	4.3 Connecting to the Achat system.....	16
<b>5</b>	<b>Technical specifications</b> .....	<b>18</b>
<b>6</b>	<b>Protecting the environment</b> .....	<b>19</b>

## 1 General notes

This manual contains important instructions for the safe operation of the unit. Read and follow the safety instructions and all other instructions. Keep the manual for future reference. Make sure that it is available to all those using the device. If you sell the unit please make sure that the buyer also receives this manual.

Our products are subject to a process of continuous development. Thus, they are subject to change.

## 1.1 Further information


On our website ([www.thomann.de](http://www.thomann.de)) you will find lots of further information and details on the following points:

Download	This manual is also available as PDF file for you to download.
Keyword search	Use the search function in the electronic version to find the topics of interest for you quickly.
Online guides	Our online guides provide detailed information on technical basics and terms.
Personal consultation	For personal consultation please contact our technical hotline.
Service	If you have any problems with the device the customer service will gladly assist you.

## 1.2 Symbols and signal words

In this section you will find an overview of the meaning of symbols and signal words that are used in this manual.

Signal word	Meaning
<b>DANGER!</b>	This combination of symbol and signal word indicates an immediate dangerous situation that will result in death or serious injury if it is not avoided.
<b>CAUTION!</b>	This combination of symbol and signal word indicates a possible dangerous situation that can result in minor injury if it is not avoided.
<b>NOTICE!</b>	This combination of symbol and signal word indicates a possible dangerous situation that can result in material and environmental damage if it is not avoided.

Warning signs	Type of danger
	Warning – danger zone.

## 2 Safety instructions

### Intended use

This device is intended to be used in a sound reinforcement system. Use the device only as described in this user manual. Any other use or use under other operating conditions is considered to be improper and may result in personal injury or property damage. No liability will be assumed for damages resulting from improper use.

This device may be used only by persons with sufficient physical, sensorial, and intellectual abilities and having corresponding knowledge and experience. Other persons may use this device only if they are supervised or instructed by a person who is responsible for their safety.

### Safety



#### **DANGER!**

#### **Danger for children**

Ensure that plastic bags, packaging, etc. are disposed of properly and are not within reach of babies and young children. Choking hazard!

Ensure that children do not detach any small parts (e.g. knobs or the like) from the unit. They could swallow the pieces and choke!

Never let children unattended use electrical devices.





**CAUTION!**

**Possible hearing damage**

The device can produce volume levels that may cause temporary or permanent hearing impairment. Over an extended period of time, even levels that seem to be uncritical can cause hearing damage.

Decrease the volume level immediately if you experience ringing in your ears or hearing impairment. If this is not possible, keep a greater distance or use sufficient ear protectors.



**NOTICE!**

**Operating conditions**

This device has been designed for indoor use only. To prevent damage, never expose the device to any liquid or moisture. Avoid direct sunlight, heavy dirt, and strong vibrations.

### 3 Features

- Connections:
  - 2 lockable NL4 sockets (1+/1– to woofer; 2+/ 2– interconnected)
  - 2 lockable NL4 sockets for Achat system wiring (2+/ 2– to woofer; 1+/1– interconnected)
- Black textured coating

## 4 Installation

Unpack and carefully check that there is no transportation damage before using the unit. Keep the equipment packaging. To fully protect the device against vibration, dust and moisture during transportation or storage use the original packaging or your own packaging material suitable for transport or storage, respectively.

Create all connections while the device is off. Use the shortest possible high-quality cables for all connections. Take care when running the cables to prevent tripping hazards.

**CAUTION!****Risk of injury due to heavy weight**

Due to the heavy weight of the device, at least two persons are required for transport and installation.



### **NOTICE!**

#### **Possible property damage by magnetic fields**

Loudspeakers produce a static magnetic field. Therefore, maintain an appropriate distance to devices that can be adversely affected or damaged by an external magnetic field.

## 4.1 Tips on handling speakers

We recommend you to set up the speakers in a way, that the sound signals can reach the audience unobstructedly. It will often be helpful to mount the speakers on tripods. Thus, the sound will be evenly spread with maximum range throughout the audience area.

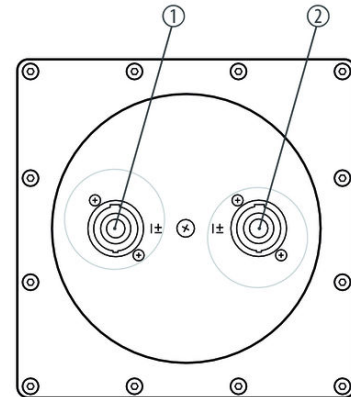
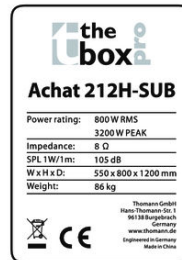
Always use high grade cable to connect your equipment. Otherwise you won't reach maximum sound quality.

For optimum results both impedance and power handling of the speakers must match the requirements of the amplifier. Always follow the technical specifications of the speakers! The overall impedance of the connected loudspeakers must not exceed the minimum output impedance of the amp. The amp's max. RMS output power should be 50 % above the power handling capacity of the connected speakers.

If you notice distortion during operation, either the amp or the speaker is overloaded. This may permanently damage the amp or the speaker. Always reduce the volume when you hear distortion.

## 4.2 Terminals for wiring 'Bass to 1'

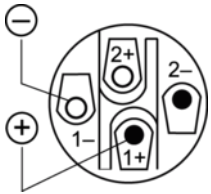
In order to use the terminals for wiring 'Bass to 1', turn the cover of the connector panel so that the notches are in horizontal position.



1, 2 NL4 terminals, wired in parallel (1+/1- to bass; 2+/2- looped-through)

With this wiring option, you can connect the bass directly using a two-wire cable (wires 1+/1-). If you are using four-wire cables, you can use heads that receive their signal via wires 2+/ 2- and loop wires 1+ / 1- through. The bass is connected to wires 1+ / 1- and loops wires 2+ / 2- through. The order in which the speakers are wired doesn't matter. Never fall below the minimum load impedance, though.

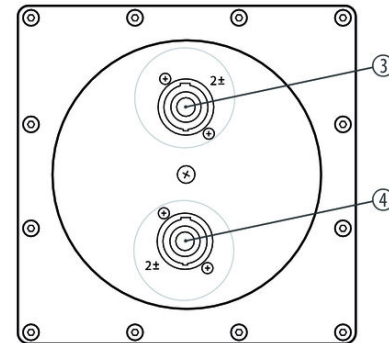
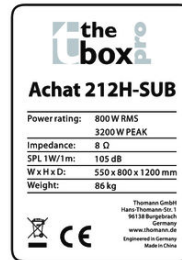
### NL4 mounting connectors for speaker connections



The adjoining figure shows the pin assignment of the lockable NL4 panel connectors.

### 4.3 Connecting to the Achat system

In order to use the terminals for the Achat system wiring, turn the cover of the connector panel so that the notches are in vertical position.



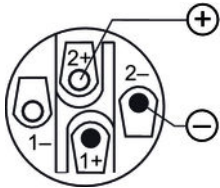
3, 4 NL4 terminals, wired in parallel (2+ / 2- to bass; 1+ / 1- looped-through)



These terminals allow for easy wiring with four-wire cables, as the heads get their signal via wires 1+ / 1- and loop wires 2+ / 2- through; the bass is connected to wires 2+ / 2- and loops wires 1+ / 1- through. The order in which the speakers are wired doesn't matter. Never fall below the minimum load impedance, though.

### NL4 mounting connectors for speaker connections

The adjoining figure shows the pin assignment of the lockable NL4 panel connectors.



## 5 Technical specifications

Speaker	2 × 12" woofer (4" voice coil)
Power handling	800 W (RMS), 3200 W (peak)
Impedance	8 Ω
Sound pressure level	104 dB (1 W/1 m) 139 dB (max.)
Frequency range	28 Hz ... 90 Hz (-3 dB)
Dimensions (W × H × D)	550 mm × 800 mm × 1200 mm
Weight	86 kg

## 6 Protecting the environment

### Disposal of the packaging material



For the transport and protective packaging, environmentally friendly materials have been chosen that can be supplied to normal recycling.

Ensure that plastic bags, packaging, etc. are properly disposed of.

Do not just dispose of these materials with your normal household waste, but make sure that they are collected for recycling. Please follow the notes and markings on the packaging.

### Disposal of your old device



This product is subject to the European Waste Electrical and Electronic Equipment Directive (WEEE). Do not dispose with your normal household waste.

Dispose of this device through an approved waste disposal firm or through your local waste facility. When discarding the device, comply with the rules and regulations that apply in your country. If in doubt, consult your local waste disposal facility.



Achat 212 H





