

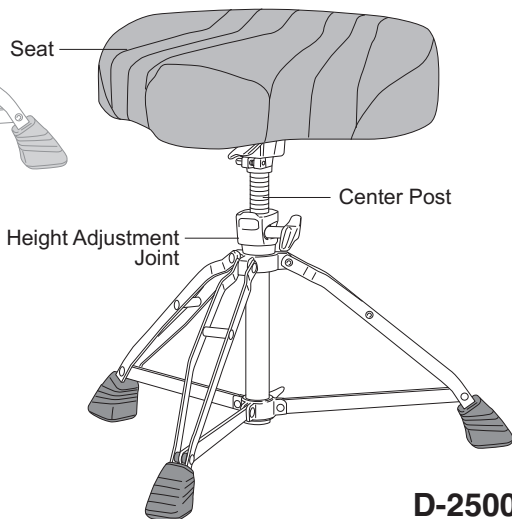
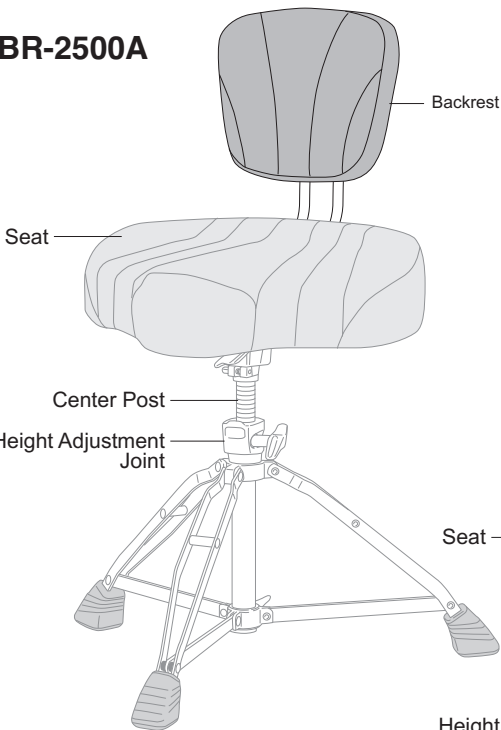
PEARL DRUM THRONE

D-2500 / BR-2500A

Instruction Manual

Congratulations on your purchase!
To get optimum performance from your Drum Throne,
please read this Instruction Manual before playing.

BR-2500A



D-2500

BACKREST BRACKET ATTACHMENT (D-2500BR ONLY)

Attach the Backrest Bracket to the Plate under the Seat with the four Attachment Screws as shown using a Phillips screwdriver. (Fig.1)

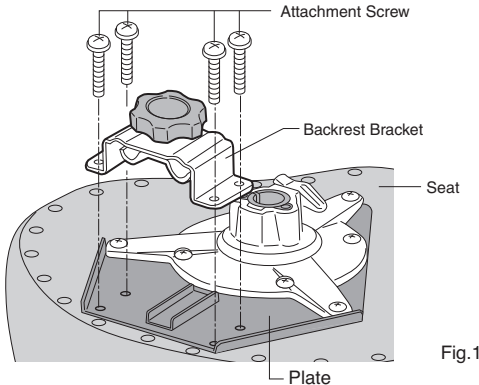


Fig.1

NOTE

- Make sure to tighten the Attachment Screws equally.
- Use only light pressure when installing the Attachment Screws to prevent the T-Nuts under the Plate from dislodging.

SEAT BRACKET

The unique Seat Bracket on the D-2500/D-2500BR allows the Seat Top to ROTATE or LOCK depending on your preference.

Mounting the Seat in the LOCKED Position (Factory Setting, Fig.2)

1. Make sure that the tab on the Stop Lock is facing upwards as shown.
2. Tighten the Key Bolt on the Stop Lock securely.
3. Mount the Seat on the Center Post and insert the tab on the Stop Lock into the Groove on the Seat Bracket as shown.
4. Make sure Tab is securely fitted into the Groove and tighten the Wing Bolt securely.

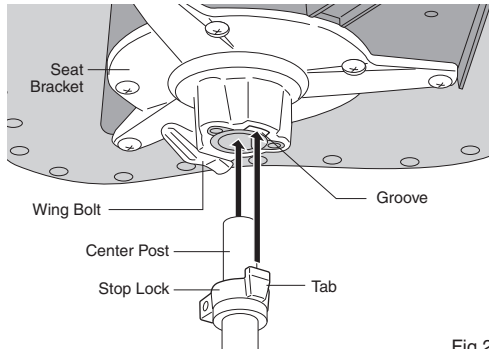


Fig.2

Mounting the Seat to Allow it to ROTATE (Fig.3)

1. Remove the Stop Lock and turn it over with the Tab facing down as shown.
2. Tighten the Key Bolt on the Stop Lock securely.
3. Mount the Seat on the Center Post.
4. Tighten the Wing Bolt with enough pressure to allow the Seat to rotate.

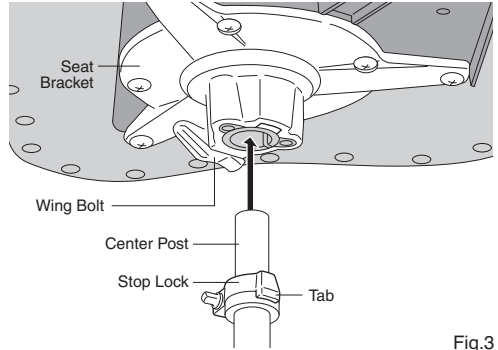


Fig.3

NOTE

- Always keep the Wing Bolt on the Seat tightened to keep it from wobbling and from coming off when transporting the throne.
- The Stop Lock is an integral part of the throne's design and should always be used in either the LOCKED or ROTATE positions.

BACKREST ATTACHMENT (D-2500BR ONLY)

The D-2500BR is equipped with an adjustable Backrest with adjustments for front/back and up/down positioning for optimum support and comfort. The Backrest removes easily for convenient transport. (Fig. 4)

1. Loosen the Adjustment Knob on the Backrest Bracket and insert the Backrest Tube as shown.
2. Slide the Backrest Tube to the desired position and tighten the Adjustment Knob. (Fig.5)
3. Loosen the Adjustment Knob on the Back Support Bracket and attach the Back Support to the Backrest Tube as shown.
4. Slide the Back Support to the desired position and tighten the Adjustment Knob. (Fig.5)

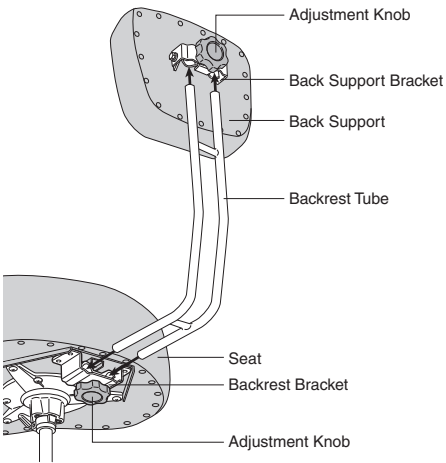


Fig.4

NOTE

- When making adjustments to the Adjustment Knob, be careful not to pinch your hands / fingers.
- Do not adjust the position of the Backrest when seated as this may require twisting and reaching that can cause injury to your body. To prevent injury, make adjustments before sitting.

HEIGHT ADJUSTMENT (Fig.6)

1. Loosen the Wing Nut on the Height Adjustment Joint.
2. Spin the Center Post until desired height is achieved.
3. Tighten the Wing Nut securely.

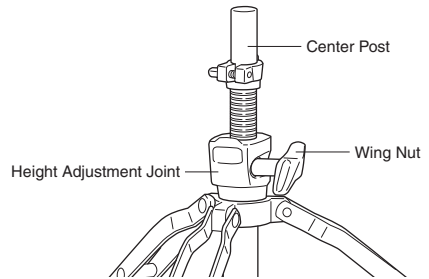


Fig.6

NOTE

Make sure that the Backrest Tube is inserted into the Backrest and Back Support Brackets straight and not tilted.

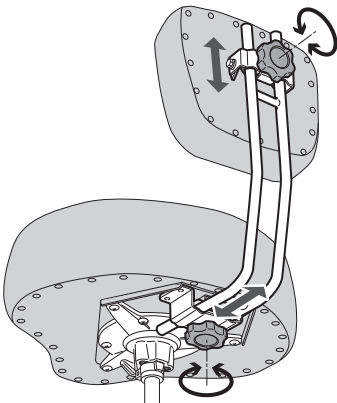
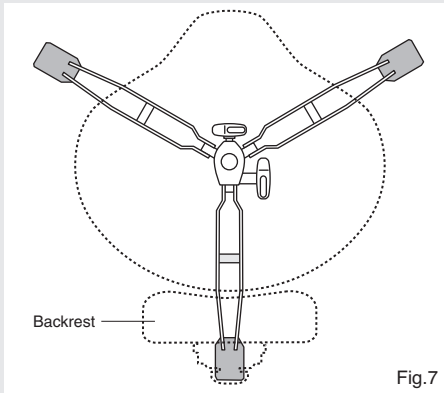


Fig.5

⚠ CAUTION

- Use caution when setting your Throne on uneven or slanted floors to prevent the Throne from tipping and causing possible injury to the user.
- The Drum Throne is intended for seating while playing drums and is not designed as a ladder, footstool or any other appliance other than its intended use.
- Do not lean back too far on the Backrest. The Backrest is designed to support your back while playing and not intended to be used as a recliner. Leaning back too far can cause damage to the Backrest and Throne and/or possible injury to the user.
- When using the Backrest, align one of the legs under the Backrest as shown for optimum stability and to reduce the chance of tipping backwards from leaning back too far. (Fig.7)



- Make sure you tighten all screws and bolts before use.
- When folding the tripod legs, be careful not to pinch your fingers between the legs and the stand.
- When handling tubular hardware, do not put your fingers into the tubes to prevent injury to your fingers.

Pearl[®]

<http://www.pearldrums.com>

Products and specifications are subject to change without notice.

Printed in China

-1212-