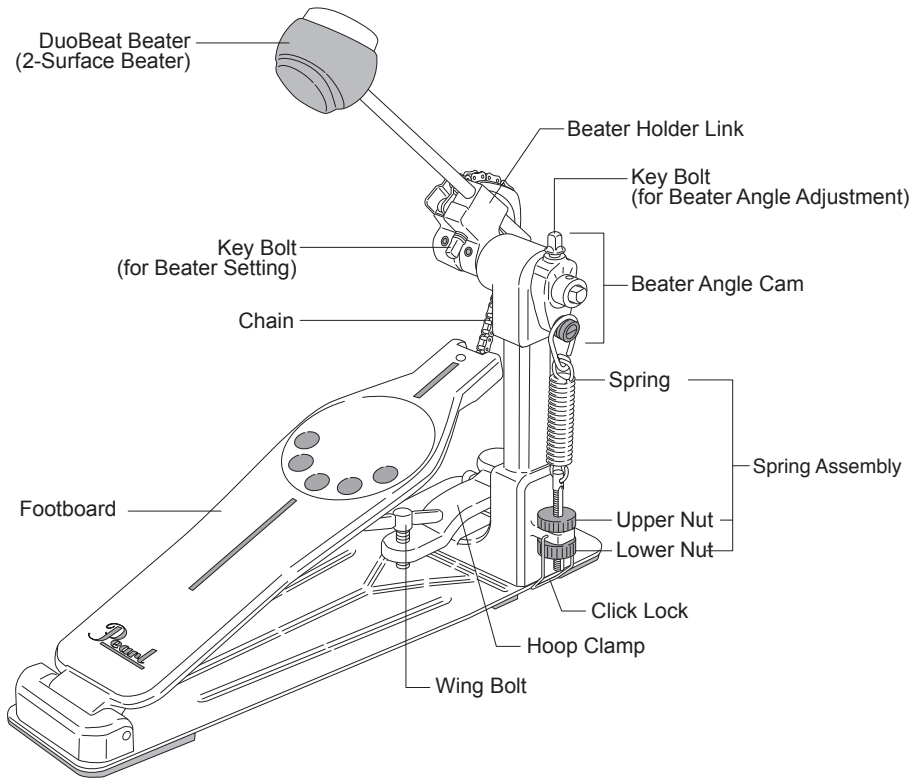


PEARL DRUM PEDAL

P-930

Instruction Manual

Congratulations on your purchase!
To get optimum performance from your P-930 Drum Pedal,
please read this Instruction Manual before playing.



DuoBeat Beater (2-Surface Beater)

The DuoBeat Beater features a Felt Surface (A) for a full, warm sound and a Plastic Surface (B) for a sharper, punchier sound. Use the side that best suits your playing style (Fig.1).

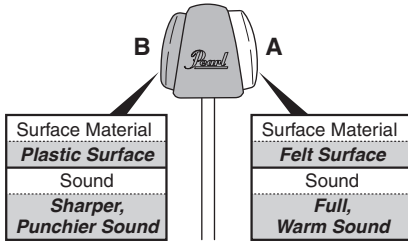


Fig. 1

Beater Setting

Insert the shaft of the DuoBeat Beater into the Beater Holder Link and tighten the Key Bolt with the provided Tuning Key to secure the Beater at the desired height. Experiment with different Beater heights to find the best combination of power and speed (Fig.2).

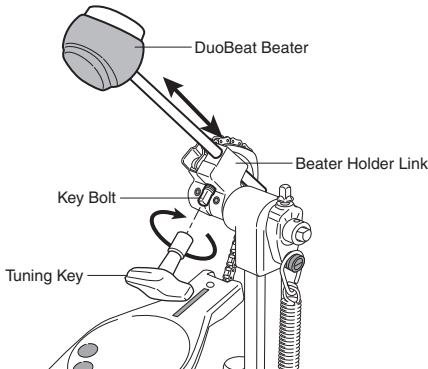


Fig. 2

Beater Angle Adjustment

Depending on your preference, the Beater can be positioned closer or farther away from the Bass Drum Head. This is accomplished by loosening the Key Bolt on the Beater Angle Cam and swinging the Beater to the desired angle. Re-tighten the Key Bolt to secure the angle (Fig.3).

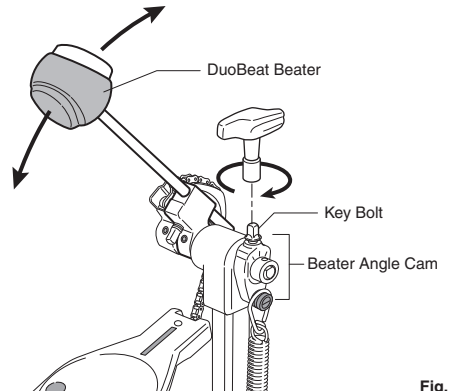


Fig. 3

Spring Tension Adjustment

The P-930 Drum Pedal features Peari's patented Click Lock spring tension retention system. To increase the spring tension, disable the Click Lock by lifting the lever upward, loosen the Upper Nut and press downwards. Keep the position of the Upper Nut and tighten the Lower Nut until the desired tension is achieved (Fig.4). To decrease spring tension, disable the Click Lock by lifting the lever upward, loosen the Upper Nut and loosen the Lower Nut until the desired tension is achieved. When the desired spring tension is achieved, tighten the Upper Nut to keep the spring tension from loosening then press the Click Lock lever down to engage the grooves around the Lower Nut until you feel the lever "Click" (Fig.4-A). Before playing, make sure that both Upper and Lower Nuts are tight and the Click Lock lever is in a vertical position with both sides of the lever engaged in the grooves around the Lower Nut.

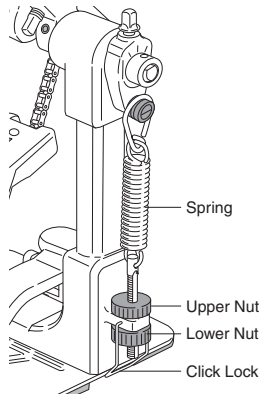


Fig. 4

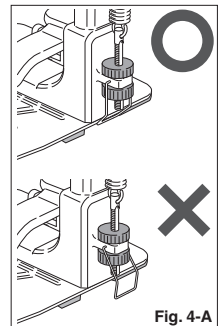


Fig. 4-A

Hoop Clamp Wing Bolt

Place the Pedal on the Bass Drum Hoop and square the Pedal to the floor. Tighten the Wing Bolt to clamp the Pedal firmly in place (Fig.5).

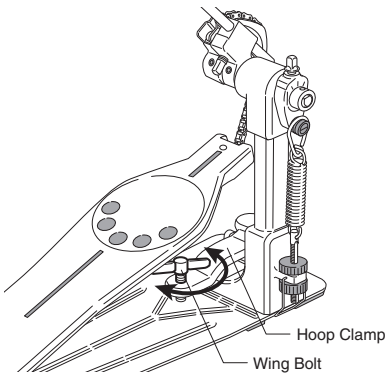


Fig. 5

NOTE

Make sure to remove the Pedal when moving the Bass Drum to prevent damage to the Bass Drum and the Pedal.

Interchangeable Cam System

The P-930 Drum Pedal is equipped with Pearl's Patented Interchangeable Cam system which allows you to change the feel and action of the pedal. It comes from the factory with the Orange Cam installed, which is an "Off-Centered" cam design with light feel in the beginning that accelerates with power and speed at impact. Removing the Orange Cam reveals Pearl's "Perfect Circle" Cam that's known for its power and natural, balanced action. To remove the Orange Cam, insert the provided Hex Wrench into the center of the Orange Cam between the gap of the Chain and loosen the Screw (Fig.6-A). Pull the Orange Cam straight up and away from the Chain (Fig.6-B). Reverse the steps to reattach the Orange Cam.

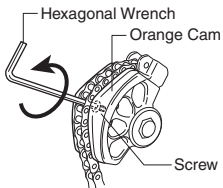


Fig. 6-A

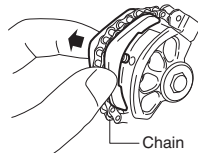


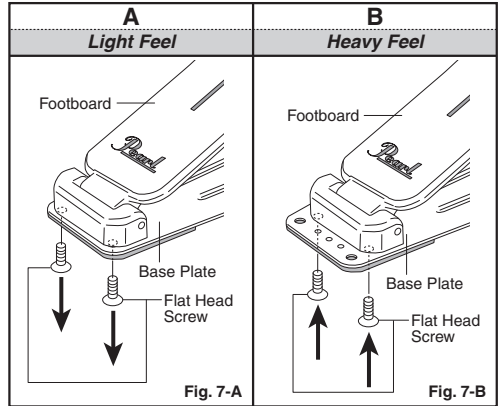
Fig. 6-B

TIP

The Orange Cam can be attached with either end up.

PowerShifter

The P-930 Drum Pedal is equipped with Pearl's patented PowerShifter Function that changes the leverage of the Footboard and thus the feel of your pedal. By default, it's set to the (A) position (Fig.7-A). To change to the (B) position, remove the two Flat Head Screws under the Base Plate using the provided Hex Wrench. Move the Footboard toward the front of the pedal and insert the guides under the Heel into the appropriate holes in the Base Plate. Make sure the Heel is flush with the Base Plate and reattach the Flat Head Screws (Fig.7-B). Tighten the Screws securely with the provided Hex Wrench.



NOTE

Periodically apply lube to parts such as the Chain, Bolts and Nuts, Footboard Hinge and Bearings.

Pearl[®]

<http://www.pearldrums.com>

Products and specifications are subject to change without notice.

Printed in China

-1212-