

Harley Benton

D-SEED
effects pedal

Musikhaus Thomann
Thomann GmbH
Hans-Thomann-Straße 1
96138 Burgebrach
Germany
Telephone: +49 (0) 9546 9223-0
E-mail: info@thomann.de
Internet: www.thomann.de

07.03.2018, ID: 318119

Table of contents

1	General notes	4
	1.1 Further information.....	5
	1.2 Notational conventions.....	6
	1.3 Symbols and signal words.....	6
2	Safety instructions	8
3	Features	11
4	Instructions for use	12
5	Connections and controls	13
6	Operation	17
7	Technical data	19
8	Plug and connection assignment	20
9	Protecting the environment	21

1 General notes

This manual contains important instructions for the safe operation of the unit. Read and follow the safety instructions and all other instructions. Keep the manual for future reference. Make sure that it is available to all those using the device. If you sell the unit please make sure that the buyer also receives this manual.

Our products are subject to a process of continuous development. Thus, they are subject to change.

1.1 Further information

On our website (www.thomann.de) you will find lots of further information and details on the following points:

Download	This manual is also available as PDF file for you to download.
Keyword search	Use the search function in the electronic version to find the topics of interest for you quickly.
Online guides	Our online guides provide detailed information on technical basics and terms.
Personal consultation	For personal consultation please contact our technical hotline.
Service	If you have any problems with the device the customer service will gladly assist you.

1.2 Notational conventions

This manual uses the following notational conventions:


Letterings

The letterings for connectors and controls are marked by square brackets and italics.

Examples: *[VOLUME]* control, *[Mono]* button.

1.3 Symbols and signal words

In this section you will find an overview of the meaning of symbols and signal words that are used in this manual.

Signal word	Meaning
DANGER!	This combination of symbol and signal word indicates an immediate dangerous situation that will result in death or serious injury if it is not avoided.
NOTICE!	This combination of symbol and signal word indicates a possible dangerous situation that can result in material and environmental damage if it is not avoided.
Warning signs	Type of danger
	Warning – danger zone.

2 Safety instructions

Intended use

This device is intended to be used for sound processing of signals from musical instruments with electromagnetic pickups. Any other use or use under other operating conditions is considered to be improper and may result in personal injury or property damage. No liability will be assumed for damages resulting from improper use.

This device may be used only by persons with sufficient physical, sensorial, and intellectual abilities and having corresponding knowledge and experience. Other persons may use this device only if they are supervised or instructed by a person who is responsible for their safety.

Safety



DANGER!

Danger for children

Ensure that plastic bags, packaging, etc. are disposed of properly and are not within reach of babies and young children. Choking hazard!

Ensure that children do not detach any small parts (e.g. knobs or the like) from the unit. They could swallow the pieces and choke!

Never let children unattended use electrical devices.



NOTICE!

Operating conditions

This device has been designed for indoor use only. To prevent damage, never expose the device to any liquid or moisture. Avoid direct sunlight, heavy dirt, and strong vibrations.



NOTICE!

External power supply

The device is powered by an external power supply. Before connecting the external power supply, ensure that the input voltage (AC outlet) matches the voltage rating of the device and that the AC outlet is protected by a residual current circuit breaker. Failure to do so could result in damage to the device and possibly the user.

Unplug the external power supply before electrical storms occur and when the device is unused for long periods of time to reduce the risk of electric shock or fire.

3 Features

- TAP TEMPO function
- Dual channel presets
- Delay up to 6 seconds
- Sound settings: COPY, ANALOG, MODULATION, REVERSE

4 Instructions for use

Unpack and carefully check that there is no transportation damage before using the unit. Keep the equipment packaging. To fully protect the device against vibration, dust and moisture during transportation or storage use the original packaging or your own packaging material suitable for transport or storage, respectively.

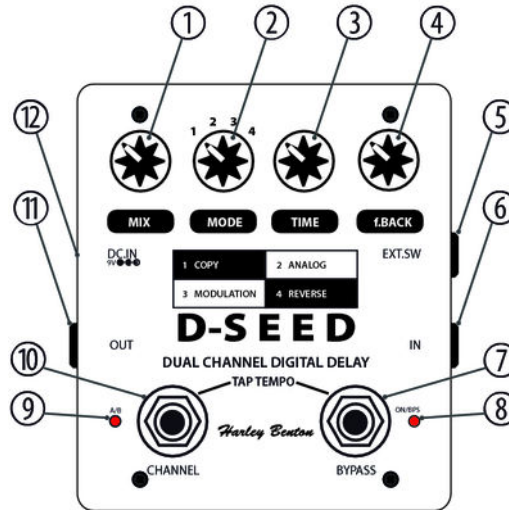
The device can be operated with an optional AC adapter (e.g. item no. 108096), battery operation is not possible.

Handle the device with care.

Do not try to disassemble or repair the device yourself in the unlikely event that it does not work.

Do not use solvents such as alcohol to clean the device.

5 Connections and controls



D-SEED

1	<i>[MIX]</i> Rotary control to adjust the effect volume of the overall volume.
2	<i>[MODE]</i> Rotary control to select the sound setting.
3	<i>[TIME]</i> Rotary control to adjust the delay.
4	<i>[f.BACK]</i> Rotary control to adjust the feedback.
5	<i>[EXT.SW]</i> Connection jack for external foot switch to switch between channel A and B (not included).
6	<i>[IN]</i> Input jack. Connect your instrument here via a shielded ¼-inch jack cable.

7	<i>[BYPASS]</i> Foot switch to turn the effects pedal on/off.
8	<i>[ON/BPS]</i> This LED is permanently on during normal operation and turns off when switching to bypass mode.
9	<i>[CHANNEL]</i> Foot switch to switch between channel A and channel B.
10	<i>[A/B]</i> This LED shows that channel B is active.
11	<i>[OUT]</i> Output jack. Connect this output via a standard instrument cable to the amplifier input.
12	<i>[DC.IN]</i> Socket for a 9-volt AC adapter (not included) to power supply. Before connecting check for correct polarity, the negative pole must lie inside the plug.

Establish all connections as long as the unit is switched off. Use the shortest possible high-quality cables for all connections.

6 Operation

Power on

Once power is applied, the unit is in bypass mode. The *[BYPASS]* foot switch allows you to switch between bypass and normal operation.

Sound settings

Use the *[MODE]* rotary control to select the desired sound setting:

- *[1 COPY]*: Reproduces your instrument's original sounds without any colouring.
- *[2 ANALOG]*: Warm, analogue sound.
- *[3 MODULATION]*: Modulated sound with rich spatial effect.
- *[4 REVERSE]*: Psychedelic effect by phase reversal of the delay signal.

Presets

The device offers the possibility to store two presets with different settings. Press the *[CHANNEL]* foot switch to switch between the presets (LED off = preset A, LED on = preset B).

Adjusting and storing effect settings

Use the rotary controls *[MIX]*, *[TIME]* and *[f.BACK]* to adjust the effects volume of the overall volume, the delay time and the feedback rate, and the *[MODE]* rotary control to adjust the desired sound setting. When you change one or more settings, the *[A/B]* channel display is flashing red to indicate that the settings can be stored to the currently active preset.

Press the *[CHANNEL]* foot switch to store the modified settings. If you do not want to store the settings, press the *[BYPASS]* foot switch. When you press one of the foot switches, the *[A/B]* channel display no longer flashes and shows again the active preset (LED off = preset A, LED on = preset B).

TAP TEMPO function

The TAP TEMPO function allows you to set two different delay times. First enable the desired preset memory using the *[CHANNEL]* foot switch (LED off = preset A, LED on = preset B). Simultaneously press the *[CHANNEL]* and the *[BYPASS]* foot switches at the desired time interval twice in succession (e.g. at an interval of one second for one second delay). The measurement of the delay time begins when the *[A/B]* channel display lights up green.

7 Technical data

Voltage supply	AC adapter, 9 V $\overline{\text{---}}$ (negative pole inside)
Maximum delay time	6 s
Dimensions (L × W × H)	105 mm × 97 mm × 48 mm (4.1 in. × 3.8 in. × 1.9 in.)
Weight	500 g (1.1 lbs)

8 Plug and connection assignment

Introduction

This chapter will help you select the right cables and plugs to connect your valuable equipment in such a way that a perfect sound experience is ensured.

Please note these advices, because especially in 'Sound & Light' caution is indicated: Even if a plug fits into the socket, an incorrect connection may result in a destroyed power amp, a short circuit or 'just' in poor transmission quality!

1/4" TS phone plug (mono, unbalanced)



1	Signal
2	Ground, shielding

9 Protecting the environment

Disposal of the packaging material



For the transport and protective packaging, environmentally friendly materials have been chosen that can be supplied to normal recycling.

Ensure that plastic bags, packaging, etc. are properly disposed of.

Do not just dispose of these materials with your normal household waste, but make sure that they are collected for recycling. Please follow the notes and markings on the packaging.

Disposal of your old device



This product is subject to the European Waste Electrical and Electronic Equipment Directive (WEEE) in its currently valid version. Do not dispose with your normal household waste.

Dispose of this device through an approved waste disposal firm or through your local waste facility. When discarding the device, comply with the rules and regulations that apply in your country. If in doubt, consult your local waste disposal facility.



Musikhaus Thomann · Hans-Thomann-Straße 1 · 96138 Burgebrach · Germany · www.thomann.de