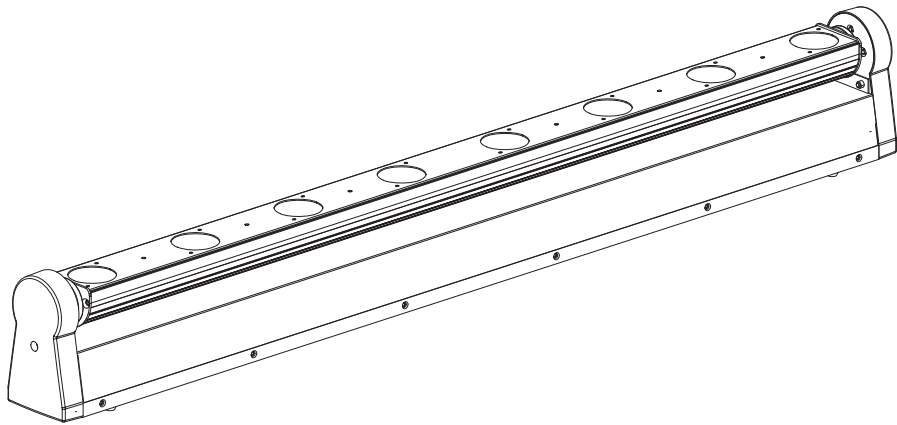




# SWEEPER BEAM QUAD LED



## User Instructions

### Sweeper Beam Quad LED

### General Information

**Unpacking:** Thank you for purchasing the Sweeper Beam Quad LED by American DJ®. Every Sweeper Beam Quad LED has been thoroughly tested and has been shipped in perfect operating condition. Carefully check the shipping carton for damage that may have occurred during shipping. If the carton appears to be damaged, carefully inspect your fixture for any damage and be sure all equipment necessary to operate the unit has arrived intact. In the event damage has been found or parts are missing, please contact our toll free customer support number for further instructions. Please do not return this unit to your dealer without contacting customer support first.

**Introduction:** The Sweeper Beam Quad LED is a intelligent, multi-LED scanner. The Sweeper Beam Quad LED can operate as a stand alone fixture or in a Master/Slave configuration. The Sweeper Beam Quad LED has three operating modes; sound active mode, show mode, and DMX control. This fixture is suitable for theaters, studios, retail stores, and other similar locations. *For best results use fog or special effects smoke to enhance the beams projections.*

**Customer Support:** ADJ Products, LLC provides a toll free customer support line, to provide help and to answer any question should you encounter problems during your set up or initial operation. You may also visit us on the web at [www.adj.com](http://www.adj.com) for any comments or suggestions. Service Hours are Monday through Friday 8:00 a.m. to 4:30 p.m. Pacific Standard Time.

Voice: (800) 322-6337

Fax: (323) 582-2941

E-mail: [support@americandj.com](mailto:support@americandj.com)

**Warning!** To prevent or reduce the risk of electrical shock or fire, do not expose this unit to rain or moisture.

**Warning!** *This may cause severe eye damage. Avoid looking directly into the light source at all times!*

## Sweeper Beam Quad LED

## General Instructions

To optimize the performance of this product, please read these operating instructions carefully to familiarize yourself with the basic operations of this unit. These instructions contain important safety information regarding the use and maintenance of this unit. Please keep this manual with the unit, for future reference.

## Sweeper Beam Quad LED

## Features

- DMX-512 Protocol
- 4 DMX Channel Modes (1 Channel Mode, 6 Channel Mode, 35 Channel Mode, & 39 Channel Mode)
- 3 Operating Modes - Sound Active, Show Mode, and DMX Control
- Internal Microphone
- Digital Display for Address and Function Setting
- UC3 Controller (Not Included)

## Sweeper Beam Quad LED

## Warranty Registration

The Sweeper Beam Quad LED carries a 3 year (1095 days) limited warranty. Please fill out the enclosed warranty card to validate your purchase and warranty. You may also register your product online at [www.americandj.com](http://www.americandj.com). All returned service items whether under warranty or not, must be freight pre-paid and accompany a return authorization (R.A.) number. If the unit is under warranty you must provide a copy of your proof of purchase invoice. Please contact ADJ Products, LLC customer support for a R.A. number.

## Sweeper Beam Quad LED

## Handling Precautions

**Caution!** There are no user serviceable parts inside this unit. Do not attempt any repairs yourself, doing so will void your manufactures warranty. In the unlikely event your unit may require service please contact ADJ Products, LLC.

*ADJ Products, LLC will not accept any liability for any resulting damages caused by the non-observance of this manual or any unauthorized modification to this unit.*

## Sweeper Beam Quad LED

## Safety Precautions

***For Your Own Personal Safety, Please Read and Understand This Manual Completely Before You Attempt To Install Or Operate This Unit!***

- To reduce the risk of electrical shock or fire, do not expose this unit rain or moisture
- Do not spill water or other liquids into or on to your unit.
- Be sure that the local power outlet match that of the required voltage for your unit.
- Do not attempt to operate this unit if the power cord has been frayed or broken.
- Do not attempt to remove or break off the ground prong from the electrical cord. This prong is used to reduce the risk of electrical shock and fire in case of an internal short.
- Disconnect from main power before making any type of connection.
- Do not remove the cover under any conditions. There are no user serviceable parts inside.
- Never operate this unit when it's cover is removed.
- Always be sure to mount this unit in an area that will allow proper ventilation. Allow about 6" (15cm) between this device and a wall.
- Do not attempt to operate this unit, if it becomes damaged.
- This unit is intended for indoor use only, use of this product outdoors voids all warranties.
- Always mount this unit in safe and stable matter.
- Power-supply cords should be routed so that they are not likely to be walked on or pinched by items placed upon or against them, paying particular attention to cords at plugs, convenience receptacles, and the point where they exit from the appliance.
- Cleaning -The fixture should be cleaned only as recommended by the manufacturer. See page 21 for cleaning details.
- Heat -This fixture should be situated away from heat sources such as radiators, heat registers, stoves, or other appliances (including amplifiers) that produce heat.
- The fixture should be serviced by qualified service personnel when:
  - A. Objects have fallen, or liquid has been spilled into the appliance.
  - B. The appliance has been exposed to rain or water.
  - C. The appliance does not appear to operate normally or exhibits a marked change in performance.

Fixture installation must always be secured with a secondary safety attachment, such as an appropriate safety cable.

Regardless of the rigging option you choose for your Sweeper Beam Quad LED always be sure to secure your fixture with a safety cable (not included).

**Caution:** For added protection mount the fixtures in areas outside of walking paths, seating areas, or areas where the fixture might be reached by unauthorized personnel.

Before mounting the fixture to any surface, make sure that the installation area can hold a minimum point load of 10 times the device's weight.

To avoid injury, never stand directly below the device when mounting, removing, or servicing the fixture.

Always use and install a safety cable (not included) as a safety measure to prevent accidental damage and/or injury in the event the clamp fails.

Be sure to complete all rigging and installation procedures before connecting the main power cord to the appropriate wall outlet.

**Power Supply:** The ADJ Sweeper Beam Quad LED contains an automatic voltage switch, which will auto sense the voltage when it is plugged into the power source. With this switch there is no need to worry about the correct power voltage, this unit can be plugged in anywhere.

**DMX-512:** DMX is short for Digital Multiplex. This is a universal protocol used by most lighting and controller manufacturers as a form of communication between intelligent fixtures and controllers. A DMX controller sends DMX data instructions from the controller to the fixture. DMX data is sent as serial data that travels from fixture to fixture via the DATA "IN" and DATA "OUT" XLR terminals located on all DMX fixtures (most controllers only have a DATA "OUT" terminal).

**DMX Linking:** DMX is a language allowing all makes and models of different manufacturers to be linked together and operate from a single controller, as long as all fixtures and the controller are DMX compliant. To ensure proper DMX data transmission, when using several DMX fixtures try to use the shortest cable path possible. The order in which fixtures are connected in a DMX line does not influence the DMX addressing. For example; a fixture assigned a DMX address of 1 may be placed anywhere in a DMX line, at the beginning, at the end, or anywhere in the middle. Therefore, the first fixture controlled by the controller could be the last fixture in the chain. When a fixture is assigned a DMX address of 1, the DMX controller knows to send DATA assigned to address 1 to that unit, no matter where it is located in the DMX chain.

**Data Cable (DMX Cable) Requirements (For DMX and Master/Slave Operation):** The Sweeper Beam Quad LED can be controlled via DMX-512 protocol. The Sweeper Beam Quad LED

has 4 DMX Channel Modes. The DMX address is set electronically using the controls on the rear panel of the unit. Your unit and your DMX controller require an approved DMX-512 110 Ohm Data cable for data input and data output (Figure 1). We recommend Accu-Cable DMX cables. If you are making your own cables, be sure to use standard 110-120 Ohm shielded cable (This cable may be purchased at almost all professional sound and lighting stores). Your



Figure 1

## Sweeper Beam Quad LED

## Set Up

cables should be made with a male and female XLR connector on either end of the cable. Also remember that DMX cable must be daisy chained and cannot be split.

**Notice:** Be sure to follow figures two and three when making your own cables. Do not use the ground lug on the XLR connector. Do not connect the cable's shield conductor to the ground lug or allow the shield conductor to come in contact with the XLR's outer casing. Grounding the shield could cause a short circuit and erratic behavior.

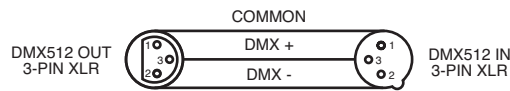


Figure 2

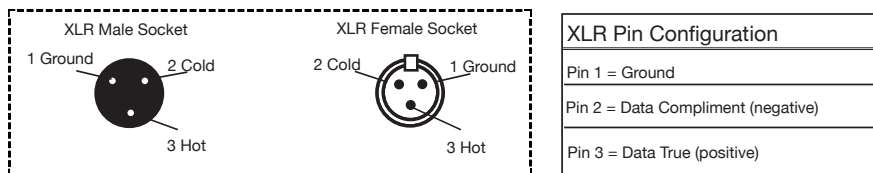


Figure 3

**Special Note: Line Termination.** When longer runs of cable are used, you may need to use a terminator on the last unit to avoid erratic behavior. A terminator is a 110-120 ohm 1/4 watt resistor which is connected between pins 2 and 3 of a male XLR connector (DATA + and DATA -). This unit is inserted in the female XLR connector of the last unit in your daisy chain to terminate the line. Using a cable terminator (ADJ part number Z-DMX/T) will decrease the possibilities of erratic behavior.



Termination reduces signal errors and avoids signal transmission problems and interference. It is always advisable to connect a DMX terminal, (Resistance 120 Ohm 1/4 W) between PIN 2 (DMX-) and PIN 3 (DMX +) of the last fixture.

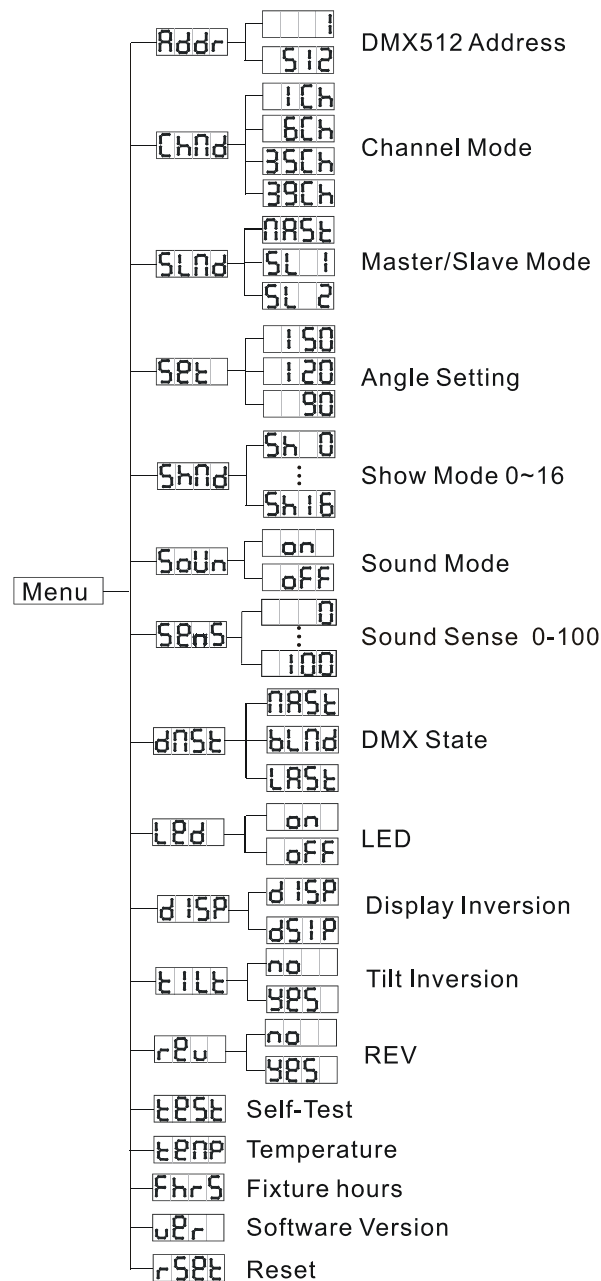
Figure 4

## Sweeper Beam Quad LED

## Set Up

**5-Pin XLR DMX Connectors.** Some manufactures use 5-pin DMX-512 data cables for DATA transmission in place of 3-pin. 5-pin DMX fixtures may be implemented in a 3-pin DMX line. When inserting standard 5-pin data cables in to a 3-pin line a cable adaptor must be used, these adaptors are readily available at most electric stores. The chart below details a proper cable conversion.

3-Pin XLR to 5-Pin XLR Conversion		
Conductor	3-Pin XLR Female (Out)	5-Pin XLR Male (In)
Ground/Shield	Pin 1	Pin 1
Data Compliment (- signal)	Pin 2	Pin 2
Data True (+ signal)	Pin 3	Pin 3
Not Used		Pin 4 - Do Not Use
Not Used		Pin 5 - Do Not Use



**System Menu:** When making adjustments press **ENTER** to confirm your setup and then press and hold the **MENU** button for at least 3 seconds. To exit without making any adjustments press the **MENU** button.

### ADDR - DMX Address Setting.

1. Press the either the MENU, UP, or DOWN buttons until “**ADDR**” is displayed, press ENTER.
2. The current address will now be displayed and flashing. Press the UP or DOWN buttons to find your desired address. Press ENTER and then press and hold the MENU button to set your desired DMX address.

### CHND - This will let select your desired DMX channel mode.

1. Press the either the MENU button until “**CHND**” is displayed, press ENTER. Either “**1CH**”, “**6CH**”, “**35CH**”, or “**39CH**” will be displayed
2. Press the UP or DOWN buttons to choose your desired DMX mode and press ENTER to confirm and exit.

### SLND - This will let you set unit as a master or slave in a master/slave configuration.

1. Press the MENU button until “**SLND**” is displayed, press ENTER. Either “**MAST**”, “**SL 1**” or “**SL 2**” will be displayed.
2. Press the UP or DOWN buttons until your desired setting is displayed, press ENTER and then press and hold the MENU button to confirm.

**NOTE:** In a Master/Slave configuration you can set one fixture to Master and then set the next fixture to “**SL 2**”, the fixtures will now have contrast movement to each other.



**SET** - This will set the Sweeper to a preset angle.

1. Press the either the MENU button until “**SET**” is displayed, press ENTER. Either “**150**”, “**120**”, or “**90**” will be displayed, these are the preset angles.
2. Press the UP or DOWN buttons to choose your desired angle and press ENTER to confirm and exit.

**SHND: SH 0 - SH16** - Show modes 0-16 (Factory programs). Show mode can run with or without sound active mode.

1. Press the MENU button until “**SHND**” is displayed, press ENTER.
2. “**Sh X**” will now be displayed, “X” representing a number between 0-16. Programs 1-16 are factory programs, while “**Sh 0**” is random mode. Press the UP or DOWN buttons to find your desired show.
3. When you have found your desired show press ENTER, then press and hold the MENU button for at least 3 seconds to activate.

**SOUN** - Sound Active mode.

1. Press the MENU button until “**SOUN**” is displayed, press ENTER.
2. The display will show either “**ON**” or “**OFF**”. Press the UP or DOWN buttons to select “**ON**” to activate sound active mode, or “**OFF**” to deactivate sound active mode.
3. Press ENTER, and then press and hold the MENU button for at least 3 seconds to activate.

**SENS** - Sound sensitivity control.

1. Press the MENU button until “**SENS**” is displayed, press ENTER.
2. The display will show a number between 0-100. Press the UP or DOWN buttons to adjust the sound sensitivity. 0 being the least sensitive and 100 the most sensitive.
3. Press the ENTER button to confirm.

**DNST** - This mode can be used as a precaution mode, that in case the DMX signal is lost, the operating mode chosen in the setup is the running mode the fixture will go into when the DMX signal is lost. You can also set this as the operating mode you would like the unit to return to when power is applied.

1. Press the MENU button until “**DNST**” is displayed, press ENTER.
2. Either “**MAST**”, “**BLND**”, or “**LAST**” will be displayed. Choose an operating mode you would like the unit to start up in when power is applied or the DMX signal is lost.
  - **MAST** (Master Slave) - If the DMX signal is lost or power is applied, the unit will automatically go into Master Slave mode.
  - **BLND** (Blackout) - If the DMX signal is lost or power is applied, the unit will automatically go into stand by mode.
  - **LAST** (Last State) - If the DMX signal is lost the fixture will stay in the last DMX set up. If power is applied and this mode is set, the unit will automatically go into the last DMX set up.
3. Press ENTER to confirm your desired set up

**LED** - With this function you can have the LED display turn off after 10 seconds.

1. Press the MENU button until “**LED**” is displayed, press  
ADJ Products, LLC - www.adj.com - Sweeper Beam Quad LED User Manual Page 12

ENTER.

2. The display will show either “**ON**” or “**OFF**”. Press the UP or DOWN buttons to select “**ON**” to keep the LED display on at all times, or “**OFF**” to switch to have the LED display switch off after 10 seconds. To make the display reappear, press and hold the MENU button for at least 5 secs.

3. Press ENTER to confirm. To make the display reappear, press and hold the MENU button for at least 5 secs.

### **DISP** - This will “flip” the LED display 180°.

1. Press the MENU button until “**DISP**” is displayed, press ENTER.

2. Either “**DISP**” or “**DSIP**” will now be displayed. Press the ENTER button to “flip” the display.

### **TILT** - This function activates tilt inversion.

1. Press the MENU button until “**TILT**” is displayed, press ENTER.

2. The display will show either “**YES**” or “**NO**”. Press the UP or DOWN buttons to select “**YES**” to activate tilt inversion, or “**NO**” to deactivate tilt inversion.

3. Press ENTER, and then press and hold the MENU button for at least 3 seconds to activate.

**REV** - This function is used in conjunction with DMX mode. The direction in which the projector lenses/LEDs light up can be reversed so that the LED line up can start at either end of the bar. This feature is useful when the unit is installed in a reversed orientation so the unit itself does not have to be uninstalled and reversed.

*Example: When using 35 Channel mode (LED 1) can start at either end of the bar depending on this functions set up.*

1. Press the MENU button until “**REV**” is displayed, press ENTER.

2. The display will show either “**YES**” or “**NO**”. Press the UP or DOWN buttons to select “**YES**” which will have the projector lenses/LEDs light up right to left, or “**NO**” which will have the projector lenses/LEDs light up left to right.

3. Press ENTER to confirm.

### **TEST** - This function will run a self test program.

1. Press the MENU button until “**TEST**” is displayed, press ENTER.

2. The fixture will now run a self test.

### **TEMP** - With this function you can check the current temperature of the unit.

1. Press the MENU button until “**TEMP**” is displayed, press ENTER.

2. The current temperature of the fixture will now be displayed. Press MENU to exit.

### **FHRS** - With this function you can display the running time of the fixture.

1. Press the MENU button until “**FHRS**” is displayed, press ENTER.

2. The running time of the fixture will now be displayed. Press MENU to exit.

**Sweeper Beam Quad LED System Menu**

**VER** - With this function you can display the version software of the fixture.

1. Tap the MENU button until “**VER**” is displayed, press ENTER.
2. The software version will now be displayed. Press MENU to exit.

**RSET** - Use this function to reset the unit.

1. Press the MENU button until “**RSET**” is displayed, press ENTER.
2. The fixture will now reset.

**Sweeper Beam Quad LED UC3 Control**

Blackout	Blackout the fixture	
Function	1. Sound Strobe (Full on). 2. Auto Strobe (Full on).	Select Shows (Show 1-16).
Mode	Random Show(LED OFF)	Show(LED ON)

**Sweeper Beam Quad LED Power Cord Daisy Chain**

*With this feature you can connect the fixtures to one another using the IEC input and output sockets. The quantity that can be connected is 4 fixtures maximum. After 4 fixtures you will need to use a new power outlet. They must be the same fixtures. DO NOT mix fixtures.*

**Sweeper Beam Quad LED Operation**

**Operating Modes:** The Sweeper Beam Quad LED can operate in three different modes. In each mode you can run the fixture as a stand alone fixture or in a master/slave configuration. This next section will detail the differences in the operating modes.

- **Sound Active mode** - The fixture will react to sound, chasing through the built-in programs.
- **Show mode** - Choose 1 of 12 show modes to run.
- **DMX control mode** - This function will allow you to control each individual fixtures traits with a standard DMX-512 controller such as the Elation® Show Designer.™

**Master-Slave Operation** This function will allow you to link up to 16 units together and operate without a controller. The units will be sound activated. In Master-Slave operation one unit will act as the controlling unit and the others will react to the controlling units programs. Any unit can act as a Master or as a Slave.

1. Using approved DMX data cables, daisy chain your units together via the XLR connector on the rear of the units. Remember the Male XLR connector is the input and the Female XLR connector is the output. The first unit in the chain (master) will use the female XLR connector only - The last unit in the chain will use the male XLR connector only. For longer cable runs we suggest a terminator at the last fixture.
2. Set the Master unit to your desired operating mode, then set the unit to the Master setting.
3. For the slave units press the MENU button until “**SLND**” is displayed, and Press ENTER. Set the slave units to either “**SL 1**” or “**SL 2**”.
4. The slave units will now follow the Master unit.

**Universal DMX Control:** This function allows you to use a Elation® universal DMX-512 controller to control the chases and patterns, dimmer and strobe. A DMX controller allows you to create unique programs tailored to your individual needs.

1. The Sweeper Beam Quad LED has 4 DMX Channel modes; 1



## Sweeper Beam Quad LED

## Operation

- Channel, 6 Channels, 35 Channels, or 39 Channels. See pages 18-24 for detailed description of the DMX values and traits.
2. To control your fixture in DMX mode, follow the set-up procedures on pages 6-8 as well as the set-up specifications that are included with your DMX controller.
  3. Use the controller's faders to control the various DMX fixture traits.
  4. This will allow you to create your own programs.
  5. Follow the instructions on page 10 to set the DMX address.
  6. For longer cable runs (more than a 100 feet) use a terminator on the last fixture.
  7. For help operating in DMX mode consult the manual included with your DMX controller.

**Sound Active Mode:** This mode allows either single unit or several units linked together, to run to the beat of the music.

1. Tap the MENU button until "**SOUN**" is displayed, and press ENTER.
2. Tap the UP or DOWN buttons to choose either OFF or ON, and press ENTER, then press and hold MENU for 3 seconds to confirm. To adjust sound sensitivity see page 12.
3. The optional *UC3 Controller* (not included) may be used to control different functions including blackout.

**Show Mode:** In this mode you can choose 1 of 16 show modes to run.

1. Tap the MENU button until "**SHND**" is displayed, and press ENTER.
2. Tap the UP or DOWN buttons until you find your desired show, and press ENTER then press and hold MENU for 3 seconds to confirm. See page 11 for more info.
3. The optional *UC3 Controller* (not included) may be used to control different functions including blackout.

## Sweeper Beam Quad LED

## 1 DMX Channel Mode

Channel	Value	Function
1	0 - 7	SHOWS BLACKOUT
	8 - 22	SHOW 1
	23 - 37	SHOW 2
	38 - 52	SHOW 3
	53 - 67	SHOW 4
	68 - 82	SHOW 5
	83 - 97	SHOW 6
	98 - 112	SHOW 7
	113 - 127	SHOW 8
	128 - 142	SHOW 9
	143 - 157	SHOW 10
	158 - 172	SHOW 11
	173 - 187	SHOW 12
	188 - 202	SHOW 13
	203 - 217	SHOW 14
	218 - 232	SHOW 15
233 - 247	SHOW 16	
248 - 255	RANDOM SHOW	

Sweeper Beam Quad LED		6 DMX Channel Mode
Channel	Value	Function
1	0 - 255	TILT -30° -210°
2	0 - 7	TILT MOVEMENT MACRO NO FUNCTION
	8 - 43	TILT MOVEMENT MACRO 60° -120°
	44 - 79	TILT MOVEMENT MACRO 45° -135°
	80 - 115	TILT MOVEMENT MACRO 30° -150°
	116 - 151	TILT MOVEMENT MACRO 0° -180°
	152 - 187	TILT MOVEMENT MACRO -30° -210°
	188 - 223	TILT MOVEMENT MACRO 0° -90°
	224 - 255	TILT MOVEMENT MACRO 90° -180°
3	0 - 7	TILT MOVEMENT MACRO SPEED NO FUNCTION
	8 - 255	SLOW - FAST
4	0 - 7	CHASES NO FUNCTION
	8 - 22	CHASE 1
	23 - 37	CHASE 2
	38 - 52	CHASE 3
	53 - 67	CHASE 4
	68 - 82	CHASE 5
	83 - 97	CHASE 6
	98 - 112	CHASE 7
	113 - 127	CHASE 8
	128 - 142	CHASE 9
	143 - 157	CHASE 10
	158 - 172	CHASE 11
	173 - 187	CHASE 12
	188 - 202	CHASE 13
	203 - 217	CHASE 14
	218 - 232	CHASE 15
233 - 247	CHASE 16	
248 - 255	FULL ON	
5	0 - 255	CHASE SPEED SLOW - FAST
6	0 - 255	MASTER DIMMER 0% - 100%

Sweeper Beam Quad LED		35 DMX Channel Mode
Channel	Value	Function
1	0 - 255	TILT -30° -210°
2	0 - 255	MASTER DIMMER 0% - 100%
3	0 - 15	STROBING NO FUNCTION
	16 - 131	STROBING SLOW - FAST
	132 - 139	NO FUNCTION
	140 - 181	SLOW OPEN - FAST CLOSE
	182 - 189	NO FUNCTION
	190 - 231	SLOW CLOSE - FAST OPEN
	232 - 239	NO FUNCTION
	240 - 247	RANDOM STROBING
248 - 255	NO FUNCTION	
4	0 - 255	RED (LENS 1)
5	0 - 255	GREEN (LENS 1)
6	0 - 255	BLUE (LENS 1)
7	0 - 255	WHITE (LENS 1)
8	0 - 255	RED (LENS 2)
9	0 - 255	GREEN (LENS 2)
10	0 - 255	BLUE (LENS 2)
11	0 - 255	WHITE (LENS 2)
12	0 - 255	RED (LENS 3)
13	0 - 255	GREEN (LENS 3)
14	0 - 255	BLUE (LENS 3)
15	0 - 255	WHITE (LENS 3)
16	0 - 255	RED (LENS 4)
17	0 - 255	GREEN (LENS 4)
18	0 - 255	BLUE (LENS 4)
19	0 - 255	WHITE (LENS 4)
20	0 - 255	RED (LENS 5)
21	0 - 255	GREEN (LENS 5)
22	0 - 255	BLUE (LENS 5)
23	0 - 255	WHITE (LENS 5)
24	0 - 255	RED (LENS 6)
25	0 - 255	GREEN (LENS 6)

Sweeper Beam Quad LED		35 DMX Channel Mode
Channel	Value	Function
26	0 - 255	BLUE (LENS 6)
27	0 - 255	WHITE (LENS 6)
28	0 - 255	RED (LENS 7)
29	0 - 255	GREEN (LENS 7)
30	0 - 255	BLUE (LENS 7)
31	0 - 255	WHITE (LENS 7)
32	0 - 255	RED (LENS 8)
33	0 - 255	GREEN (LENS 8)
34	0 - 255	BLUE (LENS 8)
35	0 - 255	WHITE (LENS 8)

Sweeper Beam Quad LED		39 DMX Channel Mode
Channel	Value	Function
1	0 - 255	TILT -30° -210°
2	0 - 7 8 - 43 44 - 79 80 - 115 116 - 151 152 - 187 188 - 223 224 - 255	TILT MOVEMENT MACRO NO FUNCTION TILT MOVEMENT MACRO 60° -120° TILT MOVEMENT MACRO 45° -135° TILT MOVEMENT MACRO 30° -150° TILT MOVEMENT MACRO 0° -180° TILT MOVEMENT MACRO -30° -210° TILT MOVEMENT MACRO 0° -90° TILT MOVEMENT MACRO 90° -180°
3	0 - 7 8 - 255	TILT MOVEMENT MACRO SPEED NO FUNCTION SLOW - FAST
4	0 - 7 8 - 22 23 - 37 38 - 52 53 - 67 68 - 82 83 - 97 98 - 112 113 - 127 128 - 142 143 - 157 158 - 172 173 - 187 188 - 202 203 - 217 218 - 232 233 - 247 248 - 255	CHASES NO FUNCTION CHASE 1 CHASE 2 CHASE 3 CHASE 4 CHASE 5 CHASE 6 CHASE 7 CHASE 8 CHASE 9 CHASE 10 CHASE 11 CHASE 12 CHASE 13 CHASE 14 CHASE 15 CHASE 16 FULL ON
5	0 - 255	CHASE SPEED SLOW - FAST
6	0 - 255	MASTER DIMMER 0% - 100%

Sweeper Beam Quad LED		39 DMX Channel Mode
Channel	Value	Function
7		STROBING
	0 - 15	NO FUNCTION
	16 - 131	STROBING SLOW - FAST
	132 - 139	NO FUNCTION
	140 - 181	SLOW OPEN - FAST CLOSE
	182 - 189	NO FUNCTION
	190 - 231	SLOW CLOSE - FAST OPEN
	232 - 239	NO FUNCTION
240 - 247	RANDOM STROBING	
248 - 255	NO FUNCTION	
8	0 - 255	RED (LENS 1)
9	0 - 255	GREEN (LENS 1)
10	0 - 255	BLUE (LENS 1)
11	0 - 255	WHITE (LENS 1)
12	0 - 255	RED (LENS 2)
13	0 - 255	GREEN (LENS 2)
14	0 - 255	BLUE (LENS 2)
15	0 - 255	WHITE (LENS 2)
16	0 - 255	RED (LENS 3)
17	0 - 255	GREEN (LENS 3)
18	0 - 255	BLUE (LENS 3)
19	0 - 255	WHITE (LENS 3)
20	0 - 255	RED (LENS 4)
21	0 - 255	GREEN (LENS 4)
22	0 - 255	BLUE (LENS 4)
23	0 - 255	WHITE (LENS 4)
24	0 - 255	RED (LENS 5)
25	0 - 255	GREEN (LENS 5)
26	0 - 255	BLUE (LENS 5)
27	0 - 255	WHITE (LENS 5)
28	0 - 255	RED (LENS 6)
29	0 - 255	GREEN (LENS 6)
30	0 - 255	BLUE (LENS 6)
31	0 - 255	WHITE (LENS 6)

Sweeper Beam Quad LED		39 DMX Channel Mode
Channel	Value	Function
32	0 - 255	RED (LENS 7)
33	0 - 255	GREEN (LENS 7)
34	0 - 255	BLUE (LENS 7)
35	0 - 255	WHITE (LENS 7)
36	0 - 255	RED (LENS 8)
37	0 - 255	GREEN (LENS 8)
38	0 - 255	BLUE (LENS 8)
39	0 - 255	WHITE (LENS 8)

## Sweeper Beam Quad LED

## Fuse Replacement

Disconnect the unit from its power source. Remove the power cord from the unit. Once the cord has been removed, you will find that the fuse holder is located inside the power socket. Insert a flat-head screw driver into the power socket and gently pry out the fuse holder. Remove the bad fuse and replace with a new one. The fuse holder also has a holder for a spare fuse.

## Sweeper Beam Quad LED

## Cleaning

**Fixture Cleaning:** Due to fog residue, smoke, and dust cleaning the internal and external optical lenses and mirror should be carried out periodically to optimize light output. Cleaning frequency depends on the environment in which the fixture operates (i.e. smoke, fog residue, dust, dew). In heavy club use we recommend cleaning on a monthly basis. Periodic cleaning will ensure longevity, and crisp output.

1. Use normal glass cleaner and a soft cloth to wipe down the outside casing.
2. Use a brush to wipe down the cooling vents and fan grill.
3. Clean the external optics and mirror with glass cleaner and a soft cloth every 20 days.
4. Clean the internal optics with glass cleaner and a soft cloth every 30-60 days.
5. Always be sure to dry all parts completely before plugging the unit back in.

## Sweeper Beam Quad LED

## Trouble Shooting

**Trouble Shooting:** Listed below are a few common problems that you may encounter, with solutions.

### ***No light output from the unit;***

1. Be sure the external fuse has not blown. The fuse is located on the rear panel of the unit.
2. Be sure the fuse holder is completely and properly seated.

### ***Unit does not respond to sound;***

1. Low frequencies (bass) should cause the unit to react to sound. Tapping on the microphone, quiet or high pitched sounds may not activate the unit.

## Sweeper Beam Quad LED

## Warranty

### MANUFACTURER'S LIMITED WARRANTY

- A. ADJ Products, LLC hereby warrants, to the original purchaser, ADJ Products, LLC products to be free of manufacturing defects in material and workmanship for a prescribed period from the date of purchase (see specific warranty period on reverse). This warranty shall be valid only if the product is purchased within the United States of America, including possessions and territories. It is the owner's responsibility to establish the date and place of purchase by acceptable evidence, at the time service is sought.
- B. **For warranty service you must obtain a Return Authorization number (RA#) before sending back the product—please contact ADJ Products, LLC Service Department at 800-322-6337.** Send the product only to the ADJ Products, LLC factory. All shipping charges must be pre-paid. If the requested repairs or service (including parts replacement) are within the terms of this warranty, ADJ Products, LLC will pay return shipping charges only to a designated point within the United States. If the entire instrument is sent, it must be shipped in its original package. No accessories should be shipped with the product. If any accessories are shipped with the product, ADJ Products, LLC shall have no liability whatsoever for loss of or damage to any such accessories, nor for the safe return thereof.
- C. This warranty is void if the serial number has been altered or removed; if the product is modified in any manner which ADJ Products, LLC concludes, after inspection, affects the reliability of the product; if the product has been repaired or serviced by anyone other than the ADJ Products, LLC factory unless prior written authorization was issued to purchaser by ADJ Products, LLC; if the product is damaged because not properly maintained as set forth in the instruction manual.
- D. This is not a service contract, and this warranty does not include maintenance, cleaning or periodic check up. During the period specified above, ADJ Products, LLC will replace defective parts at its expense with new or refurbished parts, and will absorb all expenses for warranty service and repair labor by reason of defects in material or workmanship. The sole responsibility of ADJ Products, LLC under this warranty shall be limited to the repair of the product, or replacement thereof, including parts, at the sole discretion of ADJ Products, LLC. All products covered by this warranty were manufactured after August 15, 2012, and bear indentifying marks to that effect.
- E. ADJ Products, LLC reserves the right to make changes in design and/or improvements upon its products without any obligation to include these changes in any products theretofore manufactured.

No warranty, whether expressed or implied, is given or made with respect to any accessory supplied with products described above. Except to the extent prohibited by applicable law, all implied warranties made by ADJ Products, LLC in connection with this product, including warranties of merchantability or fitness, are limited in duration to the warranty period set forth above. And no warranties, whether expressed or implied, including warranties of merchantability or fitness, shall apply to this product after said period has expired. The consumer's and/or Dealer's sole remedy shall be such repair or replacement as is expressly provided above; and under no circumstances shall ADJ Products, LLC be liable for any loss or damage, direct or consequential, arising out of the use of, or inability to use, this product.

This warranty is the only written warranty applicable to ADJ Products, LLC Products and supersedes all prior warranties and written descriptions of warranty terms and conditions heretofore published.

### MANUFACTURER'S LIMITED WARRANTY PERIODS:

- **Lighting Products = 1-year (365 days) Limited Warranty** (Such as: Special Effect Lighting, Intelligent Lighting, UV lighting, Strobos, Fog Machines, Bubble Machines, Mirror Balls, Par Cans, Trussing, Lighting Stands etc. excluding LED and lamps)
  - **Laser Products = 90-Day Limited Warranty**
  - **L.E.D. Products = 3-year (1095 days) Limited Warranty** (excluding motors, PCB boards, and power supplies, which have a 1-year (365 day Limited Warranty) and batteries which have a 180 day limited warranty). Only the L.E.D.s carry a 3-year warranty
- ADJ Products, LLC - [www.adj.com](http://www.adj.com) - Sweeper Beam Quad LED User Manual Page 26

<b>Model:</b>	<b>Sweeper Beam Quad LED</b>
<b>Voltage:</b>	100V ~ 240V/50~60Hz
<b>LEDs:</b>	8 x 8W RGBW LEDs
<b>Power Consumption:</b>	81W
<b>Power Cord Daisy Chain:</b>	4 Fixtures Max.
<b>Beam Angle:</b>	3.4 Degrees
<b>Dimensions:</b>	38.5"(L) x 3"(W) x 5.25"(H) 973 x 73 x 132mm
<b>Colors:</b>	RGBW
<b>Weight:</b>	14 Lbs. / 6.3 kgs.
<b>Fuse:</b>	7A
<b>Duty Cycle:</b>	None
<b>DMX:</b>	1, 6, 35, & 39 DMX Channel Modes
<b>Working Position:</b>	Any Safe, Secure Position
<b>Warranty:</b>	3 Year (1095 days)

**Auto Sensing Voltage:** This fixture contains a automatic voltage switch, which will auto sense the voltage when it is plugged into the power source.

**Please Note:** Specifications and improvements in the design of this unit and this manual are subject to change without any prior written notice.

ADJ Products, LLC  
6122 S. Eastern Ave. Los Angeles, CA 90040 USA  
Tel: 323-582-2650 / Fax: 323-725-6100  
Web: [www.adj.com](http://www.adj.com) / E-mail: [info@adj.com](mailto:info@adj.com)

A.D.J. Supply Europe B.V.  
Junostraat 2  
6468 EW Kerkrade  
Netherlands

Follow Us On:



[facebook.com/americanadj](https://facebook.com/americanadj)  
[twitter.com/americanadj](https://twitter.com/americanadj)  
[youtube.com/adjlighting](https://youtube.com/adjlighting)

[service@adj.eu](mailto:service@adj.eu) / [www.adj.eu](http://www.adj.eu)  
Tel: +31 45 546 85 00 / Fax: +31 45 546 85 99