

 STAIRVILLE

Stage Flood
Inst QCL 48x10W
LED floodlight

Musikhaus Thomann
Thomann GmbH
Hans-Thomann-Straße 1
96138 Burgebrach
Germany
Telephone: +49 (0) 9546 9223-0
E-mail: info@thomann.de
Internet: www.thomann.de

06.08.2018, ID: 345858

Table of contents

1	General notes	5
	1.1 Further information.....	6
	1.2 Notational conventions.....	7
	1.3 Symbols and signal words.....	7
2	Safety instructions	10
3	Features	15
4	Installation	17
5	Starting up	21
6	Connections and operating elements	24
7	Operating	27
	7.1 Starting the device.....	27
	7.2 Main menu.....	27
	7.3 Menu overview.....	38
	7.4 Functions in 3-channel DMX mode (HSV).....	40
	7.5 Functions in 6-channel DMX mode (Arc.1).....	40

7.6	Functions in 7-channel DMX mode (Ar1.d).....	41
7.7	Functions in 8-channel DMX mode (Arc.2).....	43
7.8	Functions in 9-channel DMX mode (Ac2.d).....	44
7.9	Functions in 10-channel DMX mode (Ac2.s).....	45
7.10	Functions in 15-channel DMX mode (STAGE).....	46
8	Technical specifications	53
9	Plug and connection assignment	54
10	Troubleshooting	55
11	Cleaning	57
12	Protecting the environment	58

1 General notes

This manual contains important instructions for the safe operation of the unit. Read and follow the safety instructions and all other instructions. Keep the manual for future reference. Make sure that it is available to all those using the device. If you sell the unit please make sure that the buyer also receives this manual.

Our products are subject to a process of continuous development. Thus, they are subject to change.

1.1 Further information

On our website (www.thomann.de) you will find lots of further information and details on the following points:

Download	This manual is also available as PDF file for you to download.
Keyword search	Use the search function in the electronic version to find the topics of interest for you quickly.
Online guides	Our online guides provide detailed information on technical basics and terms.
Personal consultation	For personal consultation please contact our technical hotline.
Service	If you have any problems with the device the customer service will gladly assist you.

1.2 Notational conventions

This manual uses the following notational conventions:

Letterings

The letterings for connectors and controls are marked by square brackets and italics.

Examples: *[VOLUME]* control, *[Mono]* button.



Displays


Texts and values displayed on the device are marked by quotation marks and italics.

Examples: *'24ch'*, *'OFF'*.

1.3 Symbols and signal words

In this section you will find an overview of the meaning of symbols and signal words that are used in this manual.

Signal word	Meaning
DANGER!	This combination of symbol and signal word indicates an immediate dangerous situation that will result in death or serious injury if it is not avoided.
WARNING!	This combination of symbol and signal word indicates a possible dangerous situation that can result in death or serious injury if it is not avoided.
NOTICE!	This combination of symbol and signal word indicates a possible dangerous situation that can result in material and environmental damage if it is not avoided.
Warning signs	Type of danger
	Warning – high-voltage.
	Warning – suspended load.

Warning signs	Type of danger
	Warning – danger zone.

2 Safety instructions

Intended use

This device is intended for use as an electronic lighting effect by means of LED technology. The device is designed for professional use and is not suitable for use in households. Use the device only as described in this user manual. Any other use or use under other operating conditions is considered to be improper and may result in personal injury or property damage. No liability will be assumed for damages resulting from improper use.

This device may be used only by persons with sufficient physical, sensorial, and intellectual abilities and having corresponding knowledge and experience. Other persons may use this device only if they are supervised or instructed by a person who is responsible for their safety.

Extend the life of the device by regular breaks in operation and avoid switching it on and off frequently. This device is not suitable for continuous use.

Safety**DANGER!****Danger for children**

Ensure that plastic bags, packaging, etc. are disposed of properly and are not within reach of babies and young children. Choking hazard!

Ensure that children do not detach any small parts (e.g. knobs or the like) from the unit. They could swallow the pieces and choke!

Never let children unattended use electrical devices.

**DANGER!****Hazardous voltage**

The wiring, as well as all maintenance and repair work on the electrical installation of the device must only be performed by qualified electrical personnel. Failure to do so may result in electric shock and risk of fire and loss of life.

Before starting work on the electrical installation, the device must be turned volt-free.



DANGER!

Electric shock caused by high voltages inside

Within the device there are areas where high voltages may be present. Never remove any covers.

There are no user-serviceable parts inside.

Do not use the device if covers, protectors or optical components are missing or damaged.



WARNING!

Eye damage caused by high light intensity

Never look directly into the light source.



WARNING!

Risk of epileptic shock

Strobe lighting can trigger seizures in photosensitive epilepsy. Sensitive persons should avoid looking at strobe lights.



NOTICE!

Risk of fire

Do not block areas of ventilation. Do not install the device near any direct heat source. Keep the device away from naked flames.



NOTICE!

Power supply

Before connecting the device, ensure that the input voltage (AC outlet) matches the voltage rating of the device and that the AC outlet is protected by a residual current circuit breaker. Failure to do so could result in damage to the device and possibly injure the user.

Unplug the device before electrical storms occur and when it is unused for long periods of time to reduce the risk of electric shock or fire.



NOTICE!

Possible staining

The plasticiser contained in the rubber feet of this product may possibly react with the coating of your parquet, linoleum, laminate or PVC floor and after some time cause permanent dark stains.

In case of doubt, do not put the rubber feet directly on the floor, but use felt-pad floor protectors or a carpet.

3 Features

Special features of the device:

- 48 QCL LEDs (RGBW)
- Stand-alone and DMX mode operation (7 different modes)
- Easy operation via display and buttons on the unit
- 10 preprogrammed automatic shows
- 10 preprogrammed automatic programmes, editable
- Master / Slave mode
- Rugged aluminium housing
- Protection class IP65 allows outdoor operation
- Phoenix® protective vent with GORE® membrane integrated

Information about protection class IP65

Equipment with protection class IP65 are dust-tight and completely protected against contact (first code number). They are also protected against splash water from any angle (second code digit). That is why this equipment can also be used outdoors. Event technology equipment is generally only designed for temporary use however (event lighting) and not for permanent use outdoors.

The specified protection class does not make a statement about the weather resistance of the equipment (resistance to changing ambient conditions as well as against the effects of sunlight and UV rays).

The seals and screw connections of the equipment must be checked regularly to ensure a fault-free operation. In cases of doubt, consult a specialist workshop in due time.

4 Installation

Unpack and carefully check that there is no transportation damage before using the unit. Keep the equipment packaging. To fully protect the device against vibration, dust and moisture during transportation or storage use the original packaging or your own packaging material suitable for transport or storage, respectively.



DANGER!

Hazardous voltage

The wiring, as well as all maintenance and repair work on the electrical installation of the device must only be performed by qualified electrical personnel. Failure to do so may result in electric shock and risk of fire and loss of life.

Before starting work on the electrical installation, the device must be turned volt-free.



WARNING!

Risk of injury caused by falling objects

Make sure that the installation complies with the standards and rules that apply in your country. Always secure the device with a secondary safety attachment, such as a safety cable or a safety chain.



NOTICE!

Risk of overheating

The distance between light output and the illuminated surface must be more than 1.5 m (19.7in).

Provide sufficient ventilation.

The ambient temperature must always be below 40 °C (104 °F).

**NOTICE!****Use of stands**

When mounting the device onto a stand, ensure that the stand is in a safe and stable position and that the weight of the device does not exceed the maximum permissible load capacity of the stand.

**NOTICE!****Possible data transmission errors**

For error-free operation make use of dedicated DMX cables and do not use ordinary microphone cables.

Never connect the DMX input or output to audio devices such as mixers or amplifiers.

Mounting options

You can install the unit in hanging or standing position. When in use, the device must always be attached to a solid surface or an approved truss. Use the openings of the bracket provided for mounting.

Always work from a stable platform whenever installing, moving or servicing the unit. In doing so, the area underneath the unit must be cordoned off.

The safety cable must be threaded through both of the handles.



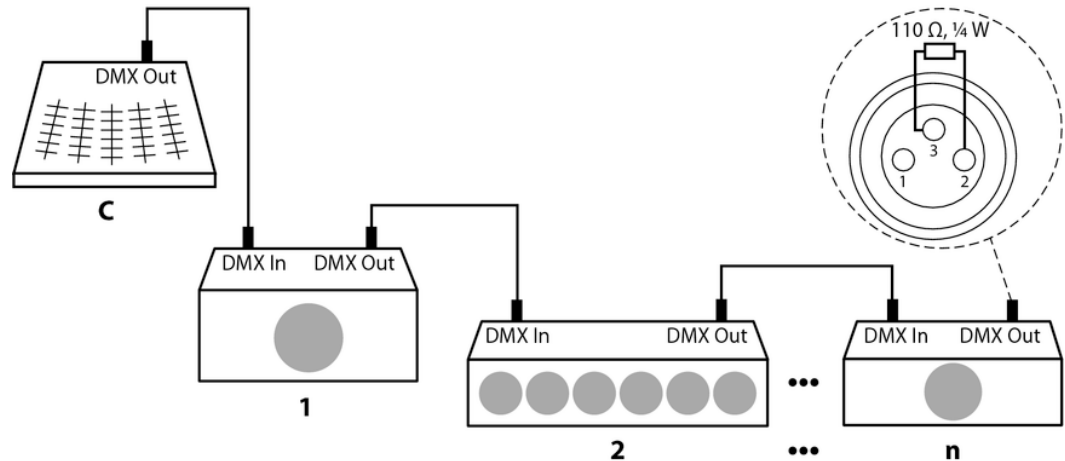
Please note that this device must not be connected to a dimmer.

5 Starting up

Create all connections while the device is off. Use the shortest possible high-quality cables for all connections. Take care when running the cables to prevent tripping hazards.

Connections in DMX mode

Connect the DMX input of the device to the DMX output of a DMX controller or another DMX device. Connect the output of the first DMX device to the input of the second one, and so on to form a daisy chain. Always ensure that the output of the last DMX device in the daisy chain is terminated with a resistor ($110\ \Omega$, $\frac{1}{4}\text{ W}$).



According to EIA-485, a maximum of 32 devices may be connected in series. The length of the data connection should not exceed 500 m. A further limitation arises from the supply voltage (see below).

Connections in master/slave mode

When you configure a group of devices in master/slave mode, the first unit will control the other units. This function is ideal when you want to start a show immediately. Connect the DMX output of the master device to the DMX input of the first slave device. Then connect the DMX output of the first slave device to the DMX input of the second slave device and so on.

Mains power connections

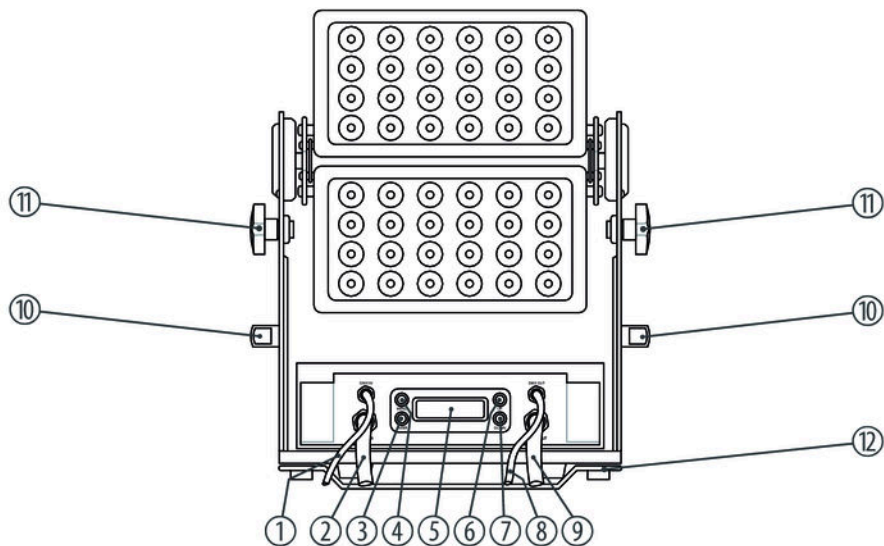
The unit offers non-detachable cables for power supply (**POWER IN**) and for feeding the power (**POWER OUT**) to another unit.

This allows setting up a power supply daisy chain.

However, the number of devices is limited:

- max. 10 units @ AC 110 V ~ , 60 Hz
- max. 20 units @ AC 230 V ~ , 50 Hz

6 Connections and operating elements



1	<i>[DMX IN]</i> DMX input.
2	<i>[POWER IN]</i> Connection for the power supply.
3	<i>[ENTER]</i> button Selects an option of the respective operating mode, confirms the set value.
4	<i>[MENU]</i> button Activates the main menu and toggles between menu items. Closes an opened submenu.
5	Display.
6	<i>[UP]</i> button Navigates upwards in a menu list. Increments the displayed value by one.
7	<i>[DOWN]</i> button Navigates downwards in a menu list. Decrements the displayed value by one.

8	<i>[DMX OUT]</i> DMX output.
9	<i>[POWER OUT]</i> Voltage output for powering further devices.
10	Carrying handles.
11	Locking screws. Unlock the screws to adjust the inclination of the spotlight.
12	Bracket for hanging. Remove this bracket if you want to place the device on the floor.

7 Operating

7.1 Starting the device

Connect the unit to the power grid to start the operation.

7.2 Main menu

Press *[MENU]* to activate the main menu and select an operating mode. Use *[ENTER]* to select further options. Use *[UP]* and *[DOWN]* to change the respectively displayed value. When the display shows the desired value, press *[ENTER]*.

If you don't press any button for about 5 seconds the display turns off. It will be reactivated to display the previously shown menu by pressing any button.

The set values are retained even when the device is disconnected from the mains power supply.

Operating mode 'Static colour'

This operating mode can only be activated when the unit is working alone or as Master in a Master / Slave combination. This setting is only relevant when the unit is not DMX-controlled.

Press *[MENU]* to enter the main menu and then *[UP]* or *[DOWN]* until the display shows 'Static Color'. Press *[ENTER]*.

Use *[UP]* and *[DOWN]* to select the submenus (dimmer, R, G, b, W, S). Confirm the selection with *[ENTER]*.

Use *[UP]* and *[DOWN]* to set the various values:

- Dimmer: brightness, value range is between '000' and '255'
- R: intensity red, value range is between '000' and '255'
- G: intensity green, value range is between '000' and '255'
- b: intensity blue, value range is between '000' and '255'
- W: intensity white, value range is between '000' and '255'
- S: strobe effect, value range is between '00' and '20' (0 ... 20 Hz)

Confirm each entry with *[ENTER]*.

Operating mode 'Preprogrammed automatic shows'

This operating mode can only be activated when the unit is working alone or as Master in a Master / Slave combination. This setting is only relevant when the unit is not DMX-controlled.

Press *[MENU]* to enter the main menu and then *[UP]* or *[DOWN]* until the display shows 'AUTO'. Press *[ENTER]*.

Now you can select with *[UP]* and *[DOWN]* between 'Aut.' and 'Pro.'.

Both submenus offer 10 preprogrammed shows each. The shows under 'Aut.' are fixed preprogrammed and can not be modified, in contrast to those under 'Pro'.

Operating mode 'Preprogrammed automatic programmes'

This operating mode can only be activated when the unit is working alone or as Master in a Master / Slave combination. This setting is only relevant when the unit is not DMX-controlled.

For 10 programmes, you can adjust colour, speed, strobe frequency and fade speed.

Press *[MENU]* to enter the main menu and then *[UP]* or *[DOWN]* until the display shows 'EDIT'. Press *[ENTER]*.

Use *[UP]* and *[DOWN]* to select a value between 'Pro01' and 'Pro10' and press *[ENTER]* to call up the programme you want to modify.

Use *[UP]* and *[DOWN]* to select the submenus (R, G, b, W, S, t, F). Confirm the selection with *[ENTER]*.

Use *[UP]* and *[DOWN]* to set the various values:

- R: intensity red, value range is between '000' and '255'
- G: intensity green, value range is between '000' and '255'
- b: intensity blue, value range is between '000' and '255'
- W: intensity white, value range is between '000' and '255'
- S: strobe effect, value range is between '00' and '20' (0 ... 20 Hz)
- t: speed, value range is between '000' and '255'
- F: fade speed, value range is between '000' and '255'

Confirm each entry with *[ENTER]*.

DMX mode

This setting is only relevant when the unit is DMX-controlled.

Press *[MENU]* to enter the main menu and then *[UP]* or *[DOWN]* until the display shows 'RUN'. Press *[ENTER]*.

If applicable, use *[UP]* and *[DOWN]* to select 'dMX' and press *[ENTER]*.

For DMX operation, do not change this setting nor open the main menu.

DMX address

For DMX operation, you have to set the number of the first DMX channel to be used by the device (DMX address).

Press *[MENU]* to enter the main menu and then *[UP]* or *[DOWN]* until the display shows 'DMX Address'. Press *[ENTER]*.

Use *[UP]* and *[DOWN]* to select a value between 1 and 512 (display shows 'DMX Addr: 001' ... 'DMX Addr: 512').

Make sure that this number matches the configuration of your DMX controller. The following table shows the highest possible first DMX address for the various DMX modes.

Mode	Highest possible first DMX address
3-channel	510
6-channel	507
7-channel	506
8-channel	505
9-channel	504

Mode	Highest possible first DMX address
10-channel	503
15-channel	498

DMX operation mode selection

Press *[MENU]* to enter the main menu and then *[UP]* or *[DOWN]* until the display shows 'Personality'. Press *[ENTER]*.

With *[UP]* and *[DOWN]* you can now select one of the following DMX operation modes:

- 'STAGE' (15 channels)
- 'Arc.1' (six channels – 2 × RGB)
- 'Ar1.d' (seven channels – 2 × RGB + dimmer)
- 'Arc.2' (eight channels – 2 × RGBW)
- 'Ar2.d' (nine channels – 2 × RGBW + dimmer)
- 'Ar2.s' (ten channels – 2 × RGBW + dimmer + strobe)
- 'HSv' (three channels – hue, saturation, brightness)

ID address assignment

You can assign up to 66 ID addresses to each DMX address. This allows the grouping of devices. In 15-channel DMX mode, the devices of a group (same DMX address) can be controlled together (via channels 1 to 14) or separately by making another differentiation based on the IDs via channel 15.

Press *[MENU]* to enter the main menu and then *[UP]* or *[DOWN]* until the display shows 'ID Address'. Press *[ENTER]*.

With *[UP]* and *[DOWN]* you can now select one of 66 ID addresses.

Operating mode 'Slave'

This setting is only relevant if the unit operates as Slave in a Master / Slave configuration, and is not DMX-controlled.

Press *[MENU]* to enter the main menu and then *[UP]* or *[DOWN]* until the display shows 'RUN'. Press *[ENTER]*.

If applicable, use *[UP]* and *[DOWN]* to select 'SLA' and press *[ENTER]*.

Settings

These submenus are used to adjust the system settings.

Press *[MENU]* to enter the main menu and then *[UP]* or *[DOWN]* until the display shows 'SET'. Press *[ENTER]*.

Select one of the following submenus:

- **'UPLD':**
This one starts the upload (copying from the Master unit into the Slave units) of the pre-programmed automatic programmes. Password entry is necessary: *[UP]+[DOWN]+[UP]+[DOWN]* and then *[ENTER]*
The Slave units signalise the upload progress:
 - yellow light: upload in process
 - red light: an error occurred
 - green light: upload successful
- **'REST':**
This one resets to defaults. Password entry is necessary: *[UP]+[DOWN]+[UP]+[DOWN]* and then *[ENTER]*
- **'Id':**
This one is used to enable ('on') or disable ('off') the usage of the ID addressing via DMX controller.
- **'REGW':**

This one determines, whether the white colour is defined by RGB=255.255.255 ('Yes'), or is manually defined via the CAL2 menu ('No').

■ 'dim':

This one determines the dimmer mode or the speeds:

- Setting 'oFF': Changes of dimmer and RGBW are done linearly.
- Settings 'dim1', 'dim2', 'dim3' 'dim4': Speed modes for the non-linear dimmer; 'dim1' is the fastest, 'dim4' is the slowest.

Setting colour temperature for 'White'

11 different preprogrammed values for colour temperature 'White' can be edited.

Press [MENU] to enter the main menu and then [UP] or [DOWN] until the display shows 'CAL1 white' . Press [ENTER].

With [UP] and [DOWN] you can now call up one of the 11 predefined settings for 'White' ('WT01' ... 'WT11').

Press [ENTER], then you can change the following values:

- R: intensity red, value range is between '000' and '255'
- G: intensity green, value range is between '000' and '255'
- b: intensity blue, value range is between '000' and '255'
- W: intensity white, value range is between '000' and '255'

Defining different values for 'White'

Press *[MENU]* to enter the main menu and then *[UP]* or *[DOWN]* until the display shows 'CAL2'. Press *[ENTER]*.

The display shows 'REGW'. Press *[ENTER]*.

You can change the following values:

- R: intensity red, value range is between '000' and '255'
- G: intensity green, value range is between '000' and '255'
- b: intensity blue, value range is between '000' and '255'

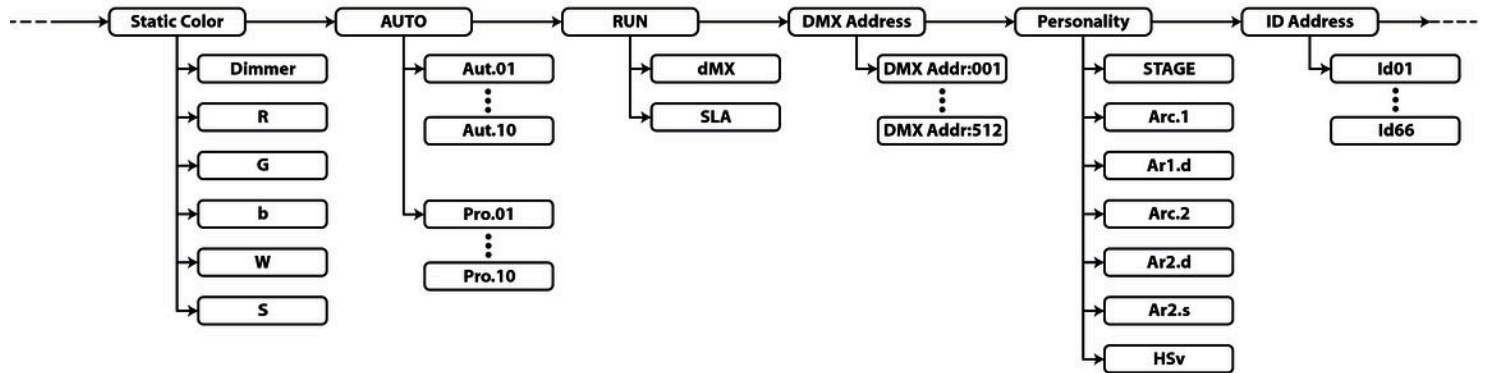
Enabling / disabling the password

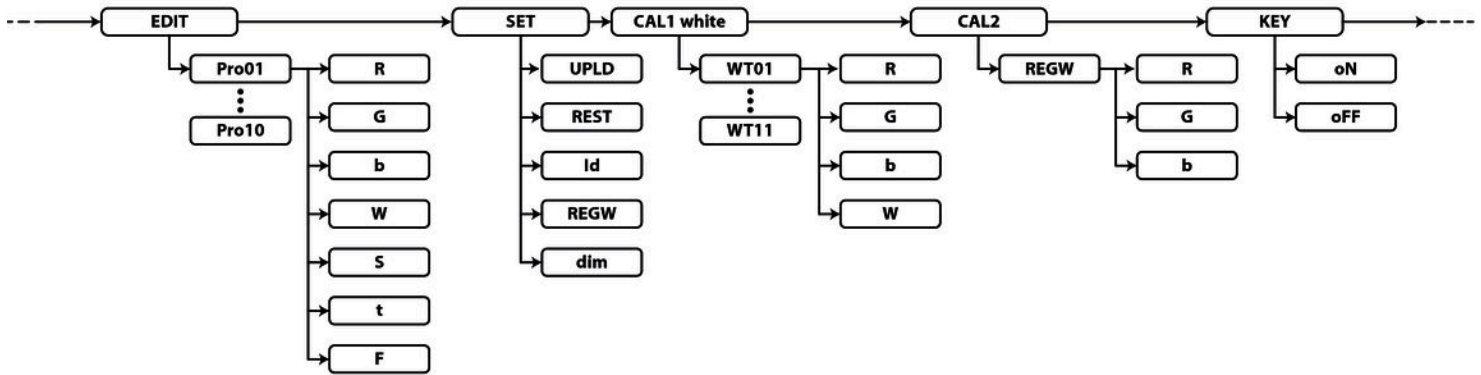
You can specify whether to enable or disable the access password. The password is: *[UP]+[DOWN]+[UP]+[DOWN]*.

Press *[MENU]* to enter the main menu and then *[UP]* or *[DOWN]* until the display shows 'KEY'. Press *[ENTER]*.

With *[UP]* and *[DOWN]* you can now select between 'oN' and 'oFF'. Then press *[ENTER]*.

7.3 Menu overview





7.4 Functions in 3-channel DMX mode (HSV)

Channel	Value	Function
1	0...255	Hue (0 % to 100 %)
2	0...255	Saturation (0 % to 100 %)
3	0...255	Dimmer (0 % to 100 %)

7.5 Functions in 6-channel DMX mode (Arc.1)

Channel	Value	Function
1	0...255	Intensity red (0 % to 100 %), panel 1
2	0...255	Intensity green (0 % to 100 %), panel 1
3	0...255	Intensity blue (0 % to 100 %), panel 1
4	0...255	Intensity red (0 % to 100 %), panel 2

Channel	Value	Function
5	0...255	Intensity green (0 % to 100 %), panel 2
6	0...255	Intensity blue (0 % to 100 %), panel 2

7.6 Functions in 7-channel DMX mode (Ar1.d)

Channel	Value	Function
1	0...255	Dimmer (0 % to 100 %)
2	0...255	Intensity red (0 % to 100 %), panel 1
3	0...255	Intensity green (0 % to 100 %), panel 1
4	0...255	Intensity blue (0 % to 100 %), panel 1
5	0...255	Intensity red (0 % to 100 %), panel 2

Channel	Value	Function
6	0...255	Intensity green (0 % to 100 %), panel 2
7	0...255	Intensity blue (0 % to 100 %), panel 2

7.7 Functions in 8-channel DMX mode (Arc.2)

Channel	Value	Function
1	0...255	Intensity red (0 % to 100 %), panel 1
2	0...255	Intensity green (0 % to 100 %), panel 1
3	0...255	Intensity blue (0 % to 100 %), panel 1
4	0...255	Intensity white (0 % to 100 %), panel 1
5	0...255	Intensity red (0 % to 100 %), panel 2
6	0...255	Intensity green (0 % to 100 %), panel 2
7	0...255	Intensity blue (0 % to 100 %), panel 2
8	0...255	Intensity white (0 % to 100 %), panel 2

7.8 Functions in 9-channel DMX mode (Ac2.d)

Channel	Value	Function
1	0...255	Dimmer (0 % to 100 %)
2	0...255	Intensity red (0 % to 100 %), panel 1
3	0...255	Intensity green (0 % to 100 %), panel 1
4	0...255	Intensity blue (0 % to 100 %), panel 1
5	0...255	Intensity white (0 % to 100 %), panel 1
6	0...255	Intensity red (0 % to 100 %), panel 2
7	0...255	Intensity green (0 % to 100 %), panel 2
8	0...255	Intensity blue (0 % to 100 %), panel 2
9	0...255	Intensity white (0 % to 100 %), panel 2

7.9 Functions in 10-channel DMX mode (Ac2.s)

Channel	Value	Function
1	0...255	Dimmer (0 % to 100 %)
2	0...255	Intensity red (0 % to 100 %), panel 1
3	0...255	Intensity green (0 % to 100 %), panel 1
4	0...255	Intensity blue (0 % to 100 %), panel 1
5	0...255	Intensity white (0 % to 100 %), panel 1
6	0...255	Intensity red (0 % to 100 %), panel 2
7	0...255	Intensity green (0 % to 100 %), panel 2
8	0...255	Intensity blue (0 % to 100 %), panel 2
9	0...255	Intensity white (0 % to 100 %), panel 2
10	0...255	Strobe effect (0 Hz to 20 Hz)

7.10 Functions in 15-channel DMX mode (STAGE)

Channel	Value	Function
1	0...255	Dimmer (0 % to 100 %)
2	0...255	Intensity red (0 % to 100 %), panel 1 . Speed adjustment, if one of the preprogrammed automatic programmes is active (channel 8)
3	0...255	Intensity green (0 % to 100 %), panel 1 . Fade speed adjustment, if one of the preprogrammed automatic programmes is active (channel 8)
4	0...255	Intensity blue (0 % to 100 %), panel 1
5	0...255	Intensity white (0 % to 100 %), panel 1
6	0...255	Intensity red (0 % to 100 %), panel 2
7	0...255	Intensity green (0 % to 100 %), panel 2
8	0...255	Intensity blue (0 % to 100 %), panel 2

Channel	Value	Function
9	0...255	Intensity white (0 % to 100 %), panel 2
10	0...10	No function
	11...20	Red 100 %, intensity green (0 % to 100 % fade-in; if channel 11 = 0, no change), blue 0 %, white 0 %
	21...30	Intensity red (0 % to 100 % fade-in; if channel 11 = 0, no change), green 100 %, blue 0 %, white 0 %
	31...40	Red 0 %, green 100 %, intensity blue (0 % to 100 % fade-in; if channel 11 = 0, no change), white 0 %
	41...50	Red 0 %, intensity green (0 % to 100 % fade-in; if channel 11 = 0, no change), blue 100 %, white 0 %
	51...60	Intensity red (0 % to 100 % Fade-In; if channel 11 = 0, no change), green 0 %, blue 100 %, white 0 %
	61...70	Red 100 %, green 0 %, intensity blue (0 % to 100 % fade-in; if channel 11 = 0, no change), white 0 %
	71...80	Red 100 %, green 0 %, blue 0 %, intensity white (0 % to 100 % fade-in; if channel 11 = 0, no change)

Channel	Value	Function
	81...90	Red 100 %, green 0 %, blue 0 %, intensity white (0 % to 100 % fade-in; if channel 7 = 0, no change)
	91...100	Colour transitions, speed is controlled via channel 11
	101...110	Colour transitions, speed is controlled via channel 11
	111...120	Colour transitions, speed is controlled via channel 11
	121...130	Colour transitions, speed is controlled via channel 11
	131...140	Colour transitions, speed is controlled via channel 11
	141...150	Colour transitions, speed is controlled via channel 11
	151...160	Colour transitions, speed is controlled via channel 11
	161...170	Colour transitions, speed is controlled via channel 11
	171...180	Colour transitions, speed is controlled via channel 11
	181...190	Colour transitions, speed is controlled via channel 11
	191...200	RGBW

Channel	Value	Function
	201...205	White 1
	206...210	White 2
	211...215	White 3
	216...220	White 4
	221...225	White 5
	226...230	White 6
	231...235	White 7
	236...240	White 8
	241...245	White 9
	246...250	White 10
	251...255	White 11
11	0...255	If channel 10 (11...90) fade-in speed of fixed colour; if channel 10 (91...190) speed of colour transitions

Channel	Value	Function
	0...15	No function
	16...255	Strobe effect (0 Hz to 20 Hz) of channels 2 to 9
12	0...9	No function
	10...19	Preprogrammed automatic show 1
	20...29	Preprogrammed automatic show 2
	30...39	Preprogrammed automatic show 3
	40...49	Preprogrammed automatic show 4
	50...59	Preprogrammed automatic show 5
	60...69	Preprogrammed automatic show 6
	70...79	Preprogrammed automatic show 7
	80...89	Preprogrammed automatic show 8
	90...99	Preprogrammed automatic show 9
	100...109	Preprogrammed automatic show 10

Channel	Value	Function
	110...255	No function
13	0...255	Speed, if preprogrammed automatic shows are enabled (channel 12, values 10...109)
14	0...49	Dimmer is off, changes of dimmer and RGBW are done linearly
	50...99	Dimmer speed 1
	100...149	Dimmer speed 2
	150...199	Dimmer speed 3
	200...255	Dimmer speed 4
15	Determination of ID addresses for the set DMX address	
	0...9	All IDs
	10...19	ID1
	20...29	ID2

	200...209	ID20

Channel	Value	Function
	210	ID21
	211	ID22

	255	ID66

8 Technical specifications

LEDs	48 × 10 W LEDs
Number of DMX channels	3, 6, 7, 8, 9, 10, 15
Power consumption	492 W
Operating supply voltage	100...240 V ~ 50/60 Hz
Protection class	IP65
Temperature range	-20 °C ... +45 °C
Dimensions (W × H × D)	196 mm × 535 mm × 510 mm
Weight	23.5 kg

9 Plug and connection assignment

Introduction

This chapter will help you select the right cables and plugs to connect your valuable equipment so that a perfect light experience is guaranteed.

Please take our tips, because especially in 'Sound & Light' caution is indicated: Even if a plug fits into a socket, the result of an incorrect connection may be a destroyed DMX controller, a short circuit or 'just' a not working light show!

DMX connections

A three-pole coupling in IP65 design is used as DMX output, a three-pole plug in IP65 design is used as DMX input. The drawing below and the table show the pin assignment of a matching coupling.



Pin	Assignment
1	Ground (shielding)
2	Signal inverted (DMX-, 'cold')
3	Signal (DMX+, 'hot')

10 Troubleshooting

In the following we list a few common problems that may occur during operation. We give you some suggestions for easy troubleshooting:

Symptom	Remedy
The unit does not work, no light	Check the mains connection and the main fuse.
No response to the DMX controller	<ol style="list-style-type: none"> 1. Check the DMX connectors and cables for proper connection. 2. Try using another DMX controller. 3. Check to see if the DMX cables run near or alongside to high voltage cables that may cause damage or interference to DMX interface circuits.

If the procedures recommended above do not succeed, please contact our Service Center. You can find the contact information at www.thomann.de.

11 Cleaning

Optical lenses

Clean the optical lenses, that are accessible from the outside, regularly in order to optimize the light output. The frequency of cleaning depends on the operating environment: wet, smoky or particularly dirty surroundings can cause more accumulation of dirt on the optics of the device.

- Clean with a soft cloth using our lamp and lens cleaner (item no. 280122).
- Always dry the parts carefully.

12 Protecting the environment

Disposal of the packaging material



For the transport and protective packaging, environmentally friendly materials have been chosen that can be supplied to normal recycling.

Ensure that plastic bags, packaging, etc. are properly disposed of.

Do not just dispose of these materials with your normal household waste, but make sure that they are collected for recycling. Please follow the notes and markings on the packaging.

Disposal of your old device



This product is subject to the European Waste Electrical and Electronic Equipment Directive (WEEE) in its currently valid version. Do not dispose with your normal household waste.

Dispose of this device through an approved waste disposal firm or through your local waste facility. When discarding the device, comply with the rules and regulations that apply in your country. If in doubt, consult your local waste disposal facility.



