

Millenium

IR-2012, IR-2022
studio rack



Musikhaus Thomann
Thomann GmbH
Hans-Thomann-Straße 1
96138 Burgebrach
Germany
Telephone: +49 (0) 9546 9223-0
E-mail: info@thomann.de
Internet: www.thomann.de

13.02.2017, ID: 351450, 351499

Table of contents

1	Safety instructions.....	4
2	Scope of delivery.....	5
3	Installation.....	6
4	Technical specifications.....	11
5	Protecting the environment.....	12

1 Safety instructions

 **DANGER!**

Danger for children

Ensure that plastic bags, packaging, etc. are properly disposed of and are not in the reach of babies and young children. Choking hazard!

Ensure that children do not detach any small parts (e.g. knobs or the like) from the product. They could swallow the pieces and choke!

Never let children play unattended with the product.

 **CAUTION!**

Danger of cuts on the hands

While assembling and joining individual parts together with screws pay attention to sharp edges on tools, screws and components. Use only tools that are suitable.

 **CAUTION!**

Risk of injury due to heavy weight

Due to the heavy weight of the product, at least two persons are required for transport and installation.

2 Scope of delivery



Before you assemble your racks, make sure the contents of the package are complete according to the following list.

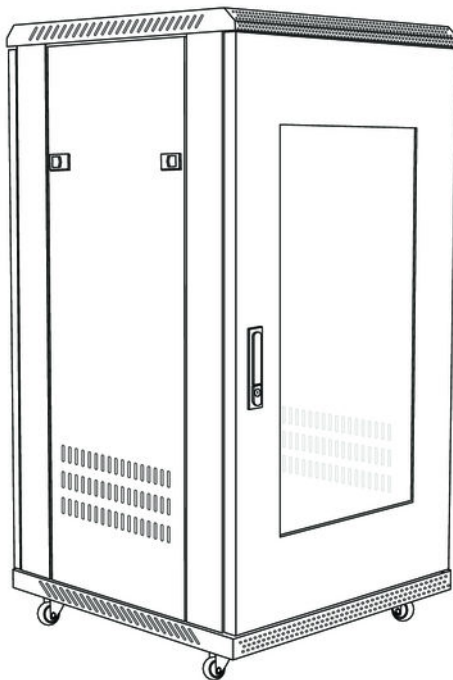
19 inch studio rack Millenium IR-2012, 19 inch studio rack Millenium IR-2022

- 1 × Base plate, sheet steel with fan grid and grommets
- 1 × Cover plate, sheet steel with fan grid
- 1 × Fan base, sheet steel with fan grid
- 2 × Supporting element, sheet steel
- 4 × Crossbar, sheet steel
- 4 × Rack rail, sheet steel
- 1 × Rear panel, sheet steel with fan grid and lock
- 1 × Rack door, sheet steel with glass insert and lock
- 2 × Side panel, sheet steel with spring locking mechanism
- 2 × Furniture wheel
- 2 × Furniture wheel with locking mechanism
- 24 × Phillips-head screw M6 x 15
- 4 × Rounded head screw M8 x 15
- 12 × Cylinder head screw M6 x 20
- 12 × Self-locking nut M6
- 1 × Allen wrench
- 1 × Assembly instructions

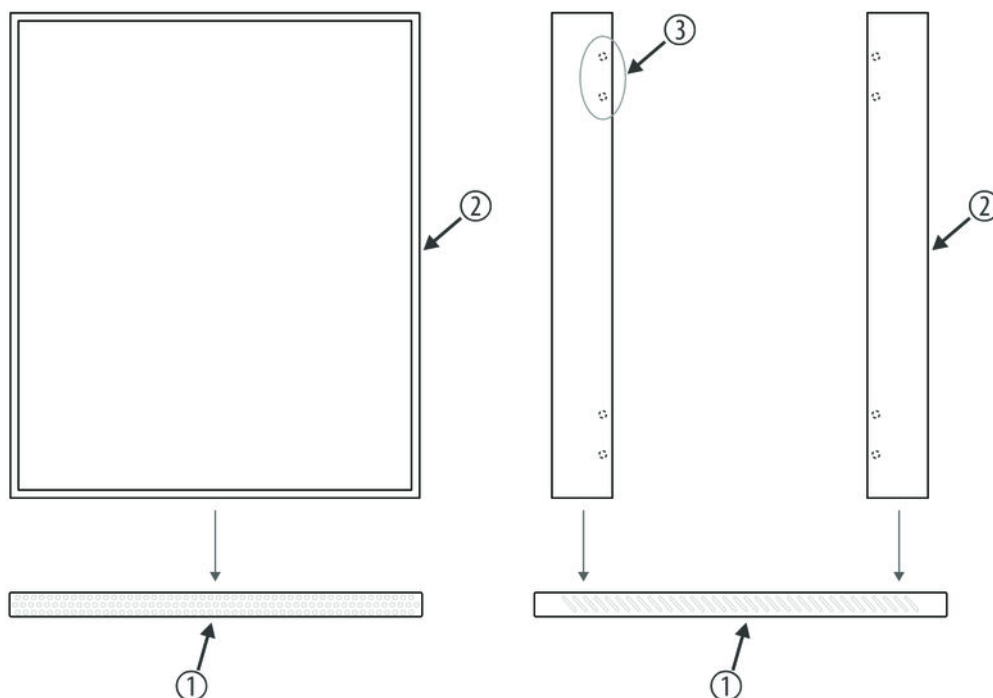
3 Installation

Overview

The following figure provides an overview of the positioning of the various components. In addition to the Allen wrench supplied, you need a compatible Phillips type screwdriver, one open-ended spanner of size SW 10, one open-ended spanner of size SW 17 as well as a soft pad.

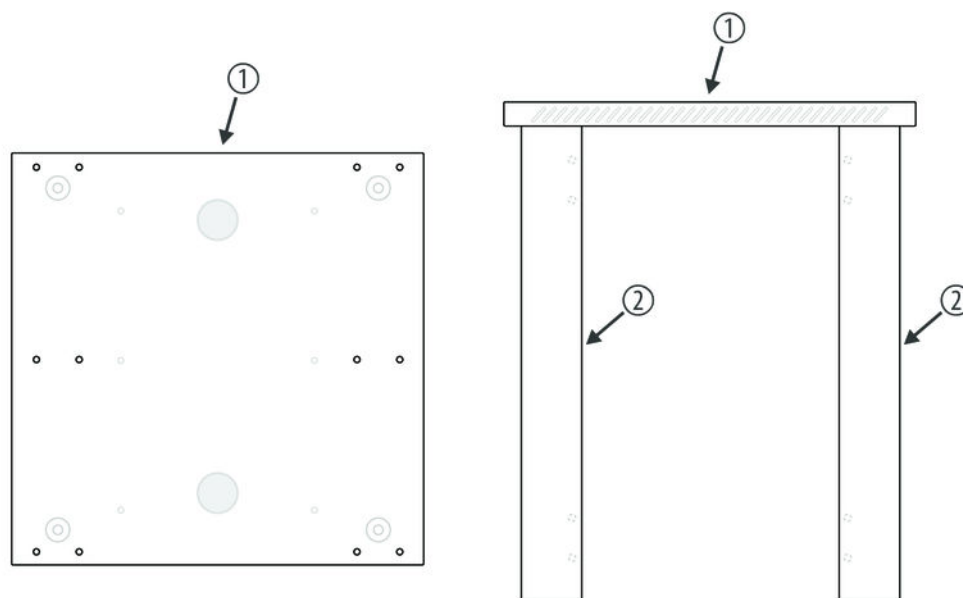


Steps for assembly



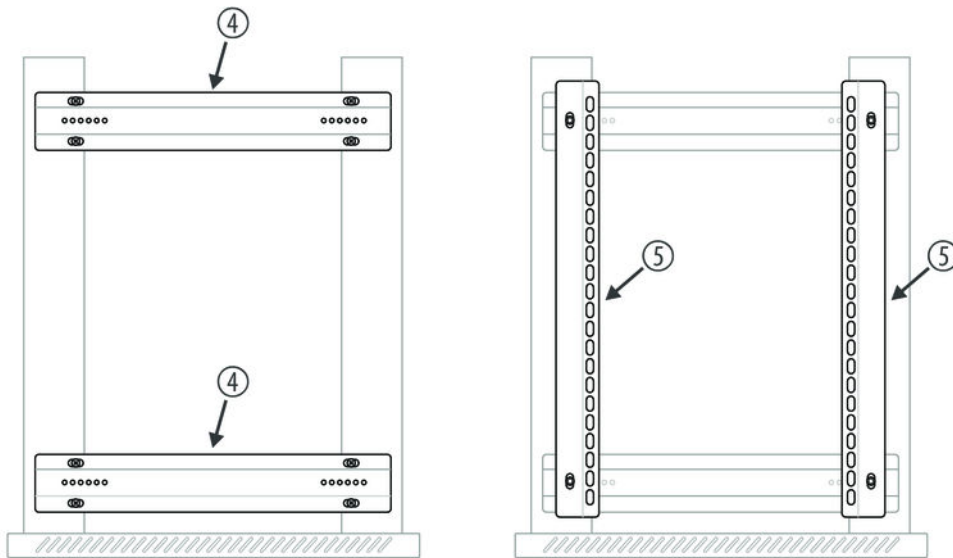
- 1.** Place the two supporting elements (2) as shown in the floor plate (1). Based on the construction, the two components are fixed easily and cannot be twisted and inserted.

However, make sure that the embedded brass bushes (3) lie inside when screwing in the crossbar subsequently in the assembled condition.

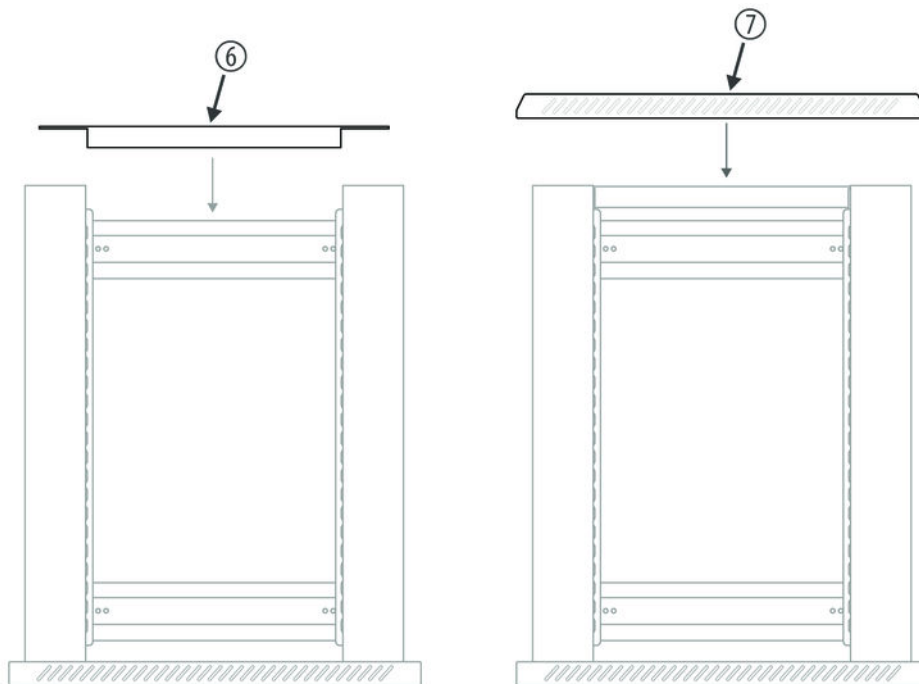


- 2.** Turn the assembly unit in such a manner that the two supporting elements can be fixed into the floor plate with six Phillips-head screws M6 × 15 each.

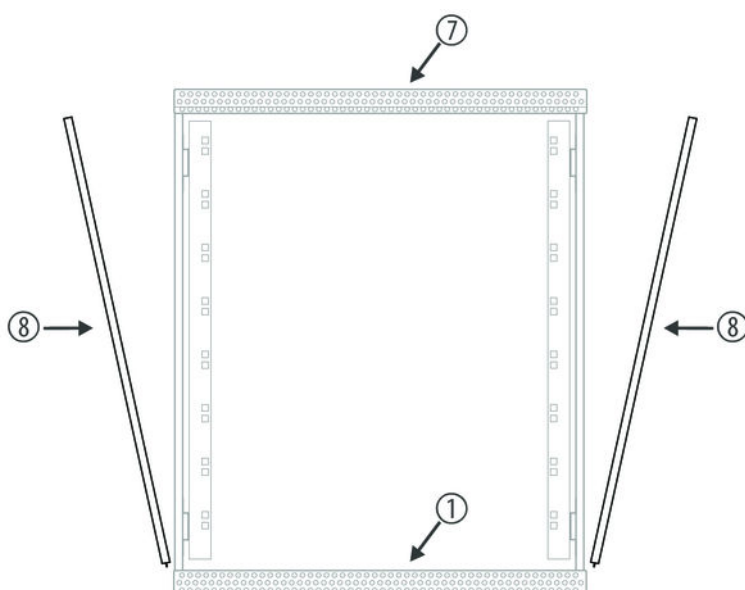
3. Place the unit fixed with screws to the floor plate previously down on a suitable assembly surface. Use a soft pad in order to avoid damaging the assembly surface or surface of the housing.



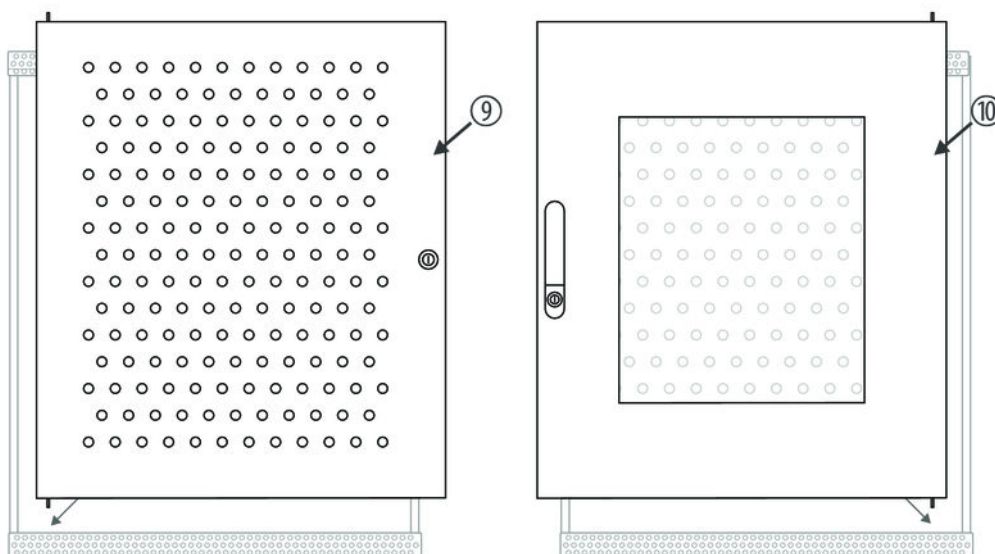
4. Then fix the four crossbars (4) with four Phillips-head screws M6 × 15 each to the two supporting elements. Next, fix the four rack rails (5) with two cylinder head screws M6 × 20 each and self-locking nuts to the two crossbars. Make sure that the rebate of the rack rails assembled points inwards as illustrated!



5. Place the fan base (6) between the two supporting elements. If required, you may install additional fans in this base for cooling the devices in the rack. The fan base itself is only inserted and not fixed with screws! Place the cover plate (7) of the housing on the assembled unit and fix the cover plate with four rounded head screws M8 × 20 to the two supporting elements.



- 6.** Next, insert the two side panels (8). Ensure that the two fixing pins latch properly at the lower border of each side panel in the floor plate. Tilt the side panel upwards and latch the locking mechanisms on both sides.

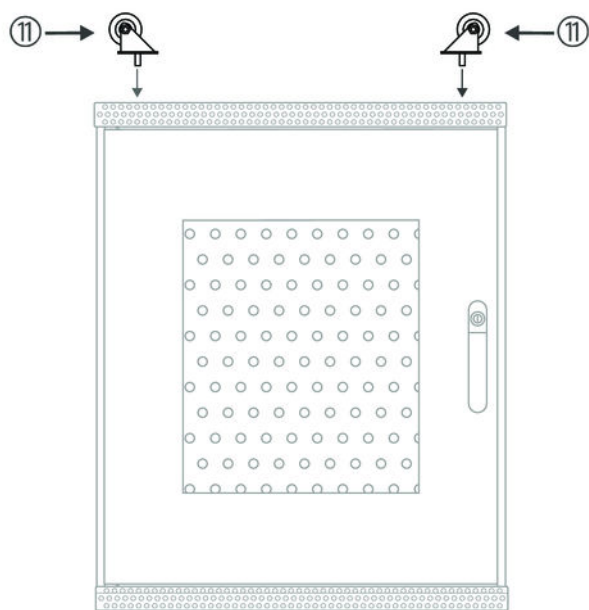


- 7.** Install the rear panel (9) and the rack door (10).

To do this, place the lower hinge pin in the borehole of the floor plate provided for this purpose. Pull the upper spring-loaded hinge pin back and place the rear panel in such a manner that the pin can latch into the borehole of the cover plate provided for this purpose. Allow the hinge pin to latch in position and check that the rear panel is fitted securely.

Place the rack door in the borehole of the floor plate provided for this purpose just as was done for the lower hinge pin. Pull the upper spring-loaded hinge pin back and place the rack door in such a manner that the pin can latch into the borehole of the cover plate provided for this purpose. Allow the hinge pin to latch in position and check that the rack door is fitted securely.

Next, install the locks supplied.



- 8.** → Place the rack with the cover plate down on a suitable assembly surface. Use a soft pad in order to avoid damaging the assembly surface or surface of the housing. Finally, assemble the four wheels (11) on the floor plate.



There are two grommets located in the base plate. If the recess of the grommet is not big enough, you can remove the plastic part completely from the base plate.

4 Technical specifications

19 inch studio rack IR-2012 (Item no. 351450)

Type	Solid sheet steel construction with lockable door and back plate
Item no.	351450
Mounting width	19 in
Rack units	12
Mounting depth	max. 19.5 in (495 mm)
Weight-bearing capacity	max. 110 lbs (50 kg)
Dimensions (W × H × D)	23.6 in × 27.3 in × 23.6 in 600 mm × 694 mm × 600 mm
Weight	80 lbs (36.10 kg)

19 inch studio rack IR-2022 (Item no. 351449)

Type	Solid sheet steel construction with lockable door and back plate
Item no.	351449
Mounting width	19 in
Rack units	22
Mounting depth	max. 110 lbs (50 kg)
Weight-bearing capacity	max. 50 kg
Dimensions (W × H × D)	23.6 in × 44.8 in × 23.6 in 600 mm × 1139 mm × 600 mm
Weight	106 lbs (48.25 kg)

5 Protecting the environment

Disposal of the packaging material



For the transport and protective packaging, environmentally friendly materials have been chosen that can be supplied to normal recycling.

Ensure that plastic bags, packaging, etc. are properly disposed of.

Do not just dispose of these materials with your normal household waste, but make sure that they are collected for recycling. Please follow the notes and markings on the packaging.

