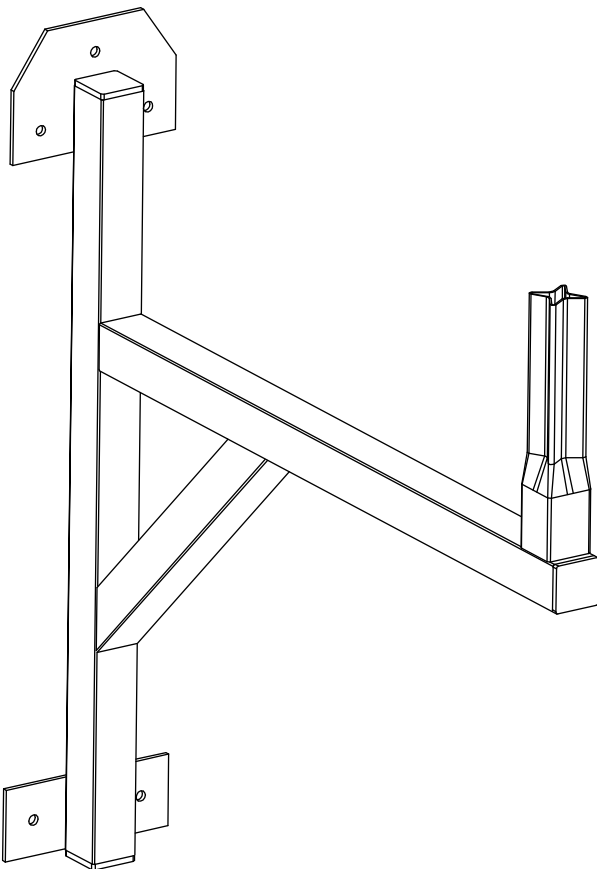


Assembly instructions

Use five screws to attach the multi speaker wall mount to a sufficiently stable wall.



- Multi speaker wall mount
- Made of steel
- Suitable for speakers equipped with standard flange (1.4 in)
- Maximum speaker weight: 66 lb
- Height: 20.7 in
- Arm length: 20.3 in
- Mounting holes: Ø 0.24 in
- Mounting screws, minimum recommended length: 1.2 in
- Wall mount weight: aprox. 3.8 lb

Ensure that plastic wrapping, packaging, etc. is properly disposed of and kept out of reach of infants and young children. Suffocation hazard!



The packaging consists of environmentally safe materials which can be recycled as usual. Ensure that plastic wrapping, packaging, etc. is properly disposed of. Do not just throw these materials out - make sure they get recycled. Follow the labels and symbols on the packaging.