

# SEIKO QUARTZ METRONOME SQ60

## INSTRUCTION MANUAL

Thank you for purchasing the SEIKO QUARTZ METRONOME SQ60. Carefully read this instruction manual before using your SQ60, as proper use is important to ensure the life of the product.

Store this instruction manual in a place that is readily accessible, and refer to it regularly.

### PRECAUTIONS

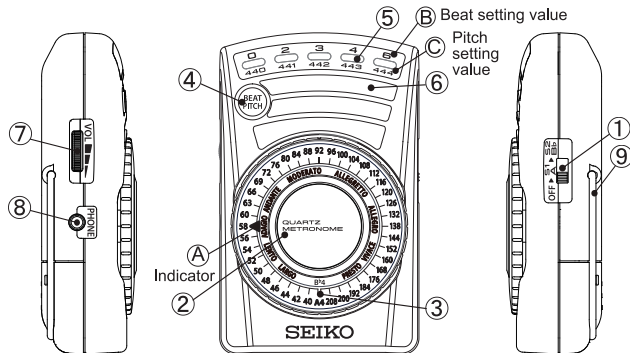
The following warnings and cautions are important in ensuring safe and proper use of the product, preventing injury to yourself and others, and preventing damage to your belongings.

- Do not disassemble, attempt to repair, or tamper with the metronome or batteries.
- Do not handle the metronome with wet hands.
- Do not use or store the metronome in places where it may become wet, such as in bathrooms, near sinks, or outdoors.
- Do not expose the batteries to fire.
- Use only the batteries specified for the metronome.
- Do not insert pins or other foreign objects into the metronome.
- Do not place the metronome on unstable surfaces.
- Do not intentionally throw or drop the metronome.
- Do not use or store the metronome in places where it may be exposed to extremely high temperatures, such as near heaters, on devices that generate heat, in direct sunlight, or in vehicles.
- Do not use or store the metronome in places where it may be exposed to extremely high levels of humidity.
- Carefully monitor use of the metronome by children.
- Keep removed batteries and the battery lid out of the reach of small children. In the event that a child swallows these parts, contact a physician immediately.
- Do not apply excessive force to the buttons or body of the metronome.
- Do not mix old and new batteries or batteries of different types.
- Do not use rechargeable batteries.
- Do not let leaked battery fluid come in contact with your skin.
- Do not use or store the metronome in dusty places or places prone to vibration.
- Do not use thinner or alcohol to clean the metronome.
- Install the batteries properly, checking that the (+) and (-) terminals are oriented correctly.
- Remove the batteries when they are depleted or when not using the metronome for a long period of time.

Before using the metronome, refer to the section on "BATTERY REPLACEMENT", and install the included batteries.

The batteries included with the metronome are for functionality testing, and their life may be shorter than expected.

### NAMES AND FUNCTIONS OF PARTS



- ① Power switch (sound switch)  
Slide the switch to turn the metronome on or off and switch tempo sound type (S1/S2) or reference note (A4/B ♭ 4).
- ② Setting dial  
Rotate the setting dial to set the dial indicator (A) to the desired tempo or reference note.
- ③ Reference note mark (A4/B ♭ 4)  
Rotate the dial indicator to this position to play the reference note.
- ④ BEAT/PITCH button  
Press to change beat while using the metronome mode and press to change pitch while using the reference tone mode.
- ⑤ Visual display  
Lights moves back and forth in time with the metronome tempo. Also displays the current beat setting value (B) or pitch setting value (C).
- ⑥ Speaker  
Plays tempo sounds and reference notes.

- ⑦ Volume dial  
Turn to adjust tempo sound or reference note volume.
- ⑧ Headphone jack (monaural)  
Use to plug in a  $\Phi 3.5$  mm SEP2 headphone (sold separately). You can also connect the metronome to an amplifier or external speaker.  
※ Check volume settings prior to using headphones or external speakers.  
※ Sound will not play from the metronome speaker when the headphone jack is being used.
- ⑨ Stand  
Extend to prop the metronome up.

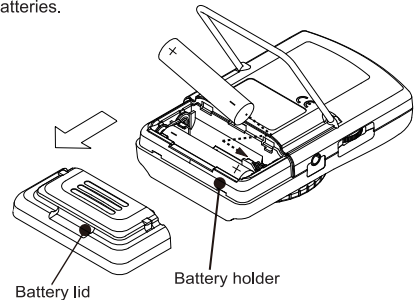
### HOW TO USE

- To use as a metronome  
Rotate the setting dial so that the dial indicator is set to the desired tempo, and select the tempo sound type (S1/S2) using the power switch. Press the BEAT/PITCH button, and the visual display will switch to the current beat for approximately two seconds. Every time you press the BEAT/PITCH button while the beat is being displayed, the beat will change.
- To play a reference note  
Rotate the setting dial so that the dial indicator is set to the reference note mark (A4/B ♭ 4). Then, select the note (A4/B ♭ 4) to play using the power switch. The current pitch will be displayed on the visual display. To change the pitch, press the BEAT/PITCH button.

※Note that the set beat or pitch value will be saved to memory, but will be erased if the power is turned off.

### BATTERY REPLACEMENT

When the visual display becomes faint or the volume becomes low, it is time to replace the batteries.



Slide the power switch to OFF. Extend the stand on the back of the metronome. Slide the battery lid in the direction indicated by the arrow in the drawing to the left, and remove the lid. Remove both (two) depleted batteries. Insert two new batteries into the battery holder (-) ends first, making sure that the batteries are aligned with the polarity markings in the slots. Replace the battery lid. After replacing the batteries, turn the power ON and confirm that the metronome is functioning normally.

- ※ Be sure that the (+) and (-) terminals of the batteries are oriented correctly.
- ※ Follow all local ordinances and regulations when disposing of the depleted batteries.
- ※ Rechargeable batteries cannot be used with this product.

### SPECIFICATIONS

- Metronome
    - Tempo range/accuracy: 40-208 beats/min (39 steps),  $\pm 0.2\%$
    - Beat types: Five (0, 2, 3, 4, 6)
    - Tempo sound types: Two (S1, S2)
  - Reference notes
    - Reference notes/accuracy: A4, B ♭ 4,  $\pm 1$  cent
    - Reference pitch: A4 = 440-444 Hz
  - Other features
    - Volume control: Volume dial
    - Output:  $\Phi 3.5$  mm monaural jack, dynamic speaker
    - Power supply: AAA battery  $\times 2$  (3 V, alkaline recommended)
    - Battery life: Approximately 100 hours when metronome is continuously used (Tempo 120, Beat 2, Sound type S1, maximum volume, using alkaline batteries)
  - Overall dimensions and mass: 62 (W)  $\times$  100 (H)  $\times$  29.5 (D) mm, approximately 130 g (including batteries)
  - Accessories: AAA alkaline battery  $\times 2$  (for functionality testing), instruction manual
- ※ The design and specifications are subject to change without prior notice for product improvement.