

LED Pixel Rail Drive 640 controller

Musikhaus Thomann
Thomann GmbH
Hans-Thomann-Straße 1
96138 Burgebrach
Germany
Telephone: +49 (0) 9546 9223-0
E-mail: info@thomann.de
Internet: www.thomann.de

11.07.2018, ID: 376130 (V4)

Table of contents

1	General notes	5
	1.1 Further information.....	6
	1.2 Notational conventions.....	7
	1.3 Symbols and signal words.....	7
2	Safety instructions	9
3	Features	13
4	Installation and starting up	14
5	Connections and controls	20
6	Operating	25
	6.1 Menu overview.....	30
	6.2 Functions in DMX mode.....	31
	6.3 Network connection.....	34
7	Technical specifications	35
8	Plug and connection assignment	36

9	Cleaning.....	38
10	Protecting the environment.....	39

1 General notes

This manual contains important instructions for the safe operation of the unit. Read and follow the safety instructions and all other instructions. Keep the manual for future reference. Make sure that it is available to all those using the device. If you sell the unit please make sure that the buyer also receives this manual.

Our products are subject to a process of continuous development. Thus, they are subject to change.

1.1 Further information

On our website (www.thomann.de) you will find lots of further information and details on the following points:

Download	This manual is also available as PDF file for you to download.
Keyword search	Use the search function in the electronic version to find the topics of interest for you quickly.
Online guides	Our online guides provide detailed information on technical basics and terms.
Personal consultation	For personal consultation please contact our technical hotline.
Service	If you have any problems with the device the customer service will gladly assist you.

1.2 Notational conventions

This manual uses the following notational conventions:

Letterings

The letterings for connectors and controls are marked by square brackets and italics.

Examples: *[VOLUME]* control, *[Mono]* button.



Displays

Texts and values displayed on the device are marked by quotation marks and italics.

Examples: *'24ch'*, *'OFF'*.

1.3 Symbols and signal words

In this section you will find an overview of the meaning of symbols and signal words that are used in this manual.

Signal word	Meaning
DANGER!	This combination of symbol and signal word indicates an immediate dangerous situation that will result in death or serious injury if it is not avoided.
NOTICE!	This combination of symbol and signal word indicates a possible dangerous situation that can result in material and environmental damage if it is not avoided.
Warning signs	Type of danger
	Warning – high-voltage.
	Warning – danger zone.

2 Safety instructions

Intended use

This device is used to control Pixel Rail Strips (item no.: 375418). Use the device only as described in this user manual. Any other use or use under other operating conditions is considered to be improper and may result in personal injury or property damage. No liability will be assumed for damages resulting from improper use.

This device may be used only by persons with sufficient physical, sensory, and intellectual abilities and having corresponding knowledge and experience. Other persons may use this device only if they are supervised or instructed by a person who is responsible for their safety.

Safety



DANGER!

Danger for children

Ensure that plastic bags, packaging, etc. are disposed of properly and are not within reach of babies and young children. Choking hazard!

Ensure that children do not detach any small parts (e.g. knobs or the like) from the unit. They could swallow the pieces and choke!

Never let children unattended use electrical devices.



DANGER!

Electric shock caused by high voltages inside

Within the device there are areas where high voltages may be present. Never remove any covers.

There are no user-serviceable parts inside.

Do not use the device if covers, protectors or optical components are missing or damaged.



DANGER!

Electric shock caused by short-circuit

Always use proper ready-made insulated mains cabling (power cord) with a protective contact plug. Do not modify the mains cable or the plug. Failure to do so could result in electric shock/death or fire. If in doubt, seek advice from a registered electrician.



NOTICE!

Risk of fire

Do not block areas of ventilation. Do not install the device near any direct heat source. Keep the device away from naked flames.



NOTICE!

Operating conditions

This device has been designed for indoor use only. To prevent damage, never expose the device to any liquid or moisture. Avoid direct sunlight, heavy dirt, and strong vibrations.



NOTICE!

Power supply

Before connecting the device, ensure that the input voltage (AC outlet) matches the voltage rating of the device and that the AC outlet is protected by a residual current circuit breaker. Failure to do so could result in damage to the device and possibly injure the user.

Unplug the device before electrical storms occur and when it is unused for long periods of time to reduce the risk of electric shock or fire.

3 Features

- Controller for up to 16 Pixel Rail Strips type Pixel Rail 40 RGB (maximum four per output) (item no.: 375418)
- Control protocols: DMX-512, ArtNet
- Operating modes: Stand Alone (30 programmes), Master / slave
- In and outputs: DMX, RJ45 (ArtNet)
- Operating via buttons and display on the unit
- Lockable connectors (Power Twist) for self-supply and for supplying further devices
- Robust aluminium die-cast housing

4 Installation and starting up

Unpack and carefully check that there is no transportation damage before using the unit. Keep the equipment packaging. To fully protect the device against vibration, dust and moisture during transportation or storage use the original packaging or your own packaging material suitable for transport or storage, respectively.

The device has two lateral attachment lugs each with two slots for wall or ceiling mounting (mounting hardware not included).

Make sure that the installation complies with the standards and rules that apply in your country.

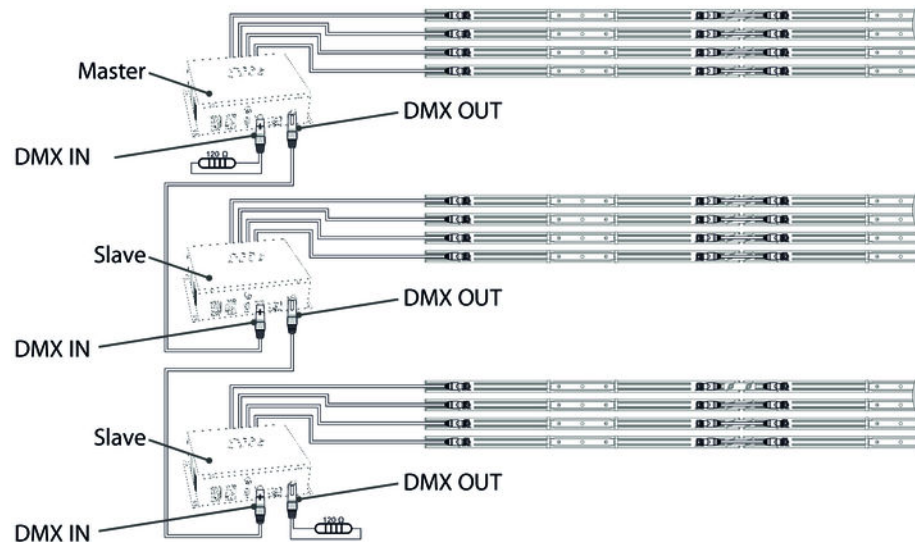
Connect the units to be controlled via suitable DMX or RJ45 data cable to the device. A maximum of 30 devices may be serially connected to each serial port.

Create all connections while the device is off. Use the shortest possible high-quality cables for all connections. Take care when running the cables to prevent tripping hazards.

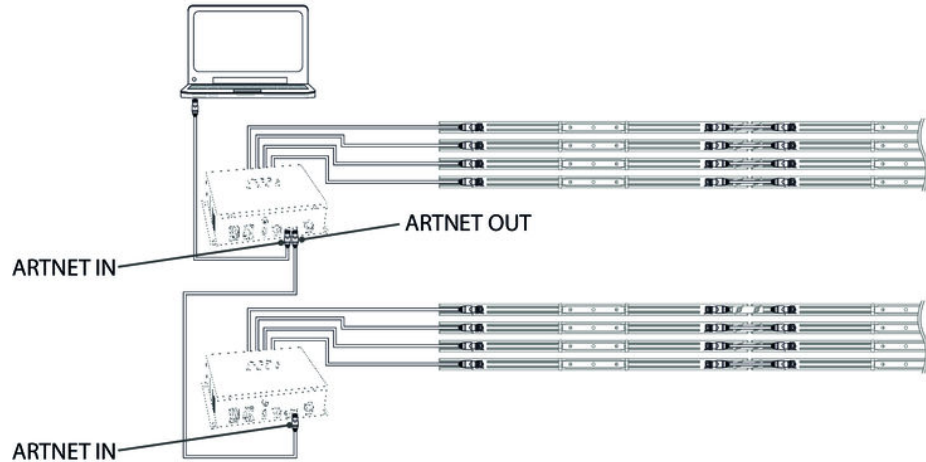
Connection examples

The following figures show the connection configuration of the pixel strips in the various operating modes.

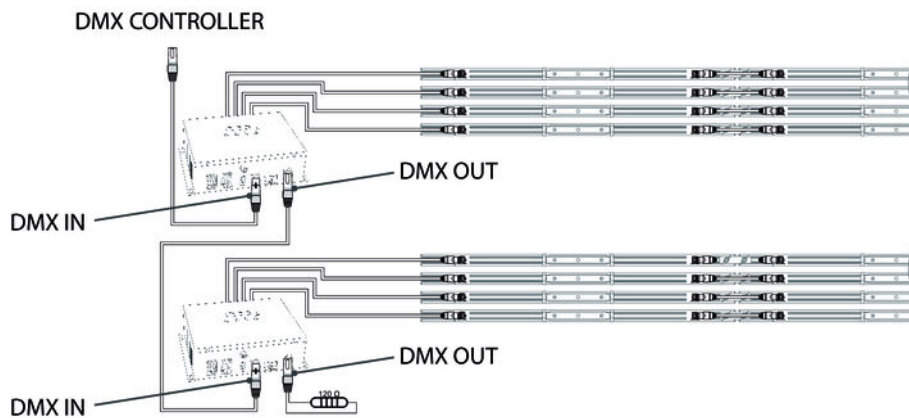
Master / Slave operation



Control via ArtNet



Control via DMX





NOTICE!

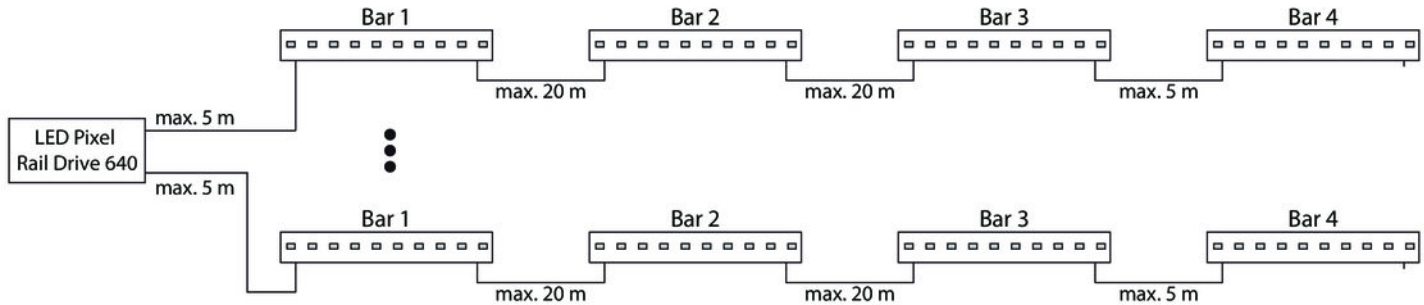
Possible data transmission errors

For error-free operation make use of dedicated DMX cables and do not use ordinary microphone cables.

Never connect the DMX input or output to audio devices such as mixers or amplifiers.

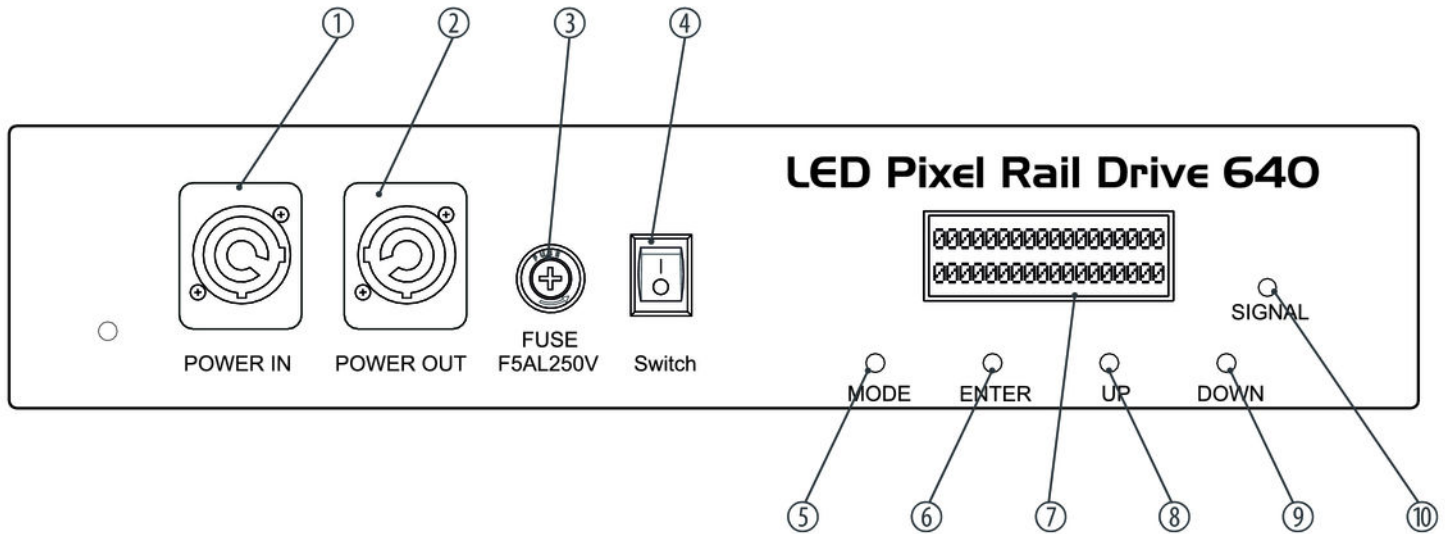
Notes for wiring

The following figure shows the maximum allowable length of the cables. A maximum of four Stairville LED Pixel Rail 40 RGB can be connected per output.



5 Connections and controls

Front panel



1	<i>[POWER IN]</i> Lockable input socket (Power Twist) for power supply.
2	<i>[POWER OUT]</i> Lockable output socket (Power Twist) for the power supply of further units.
3	Fuse holder
4	<i>[Switch]</i> Main switch to turn the device on and off.
5	<i>[Menu]</i> Activates the main menu and toggles between menu items. Closes an opened sub menu.
6	<i>[Enter]</i> Selects an option of the respective operating mode, confirms the set value.
7	Display
8	<i>[Up]</i> Increases the displayed value by one.

9

[Down]

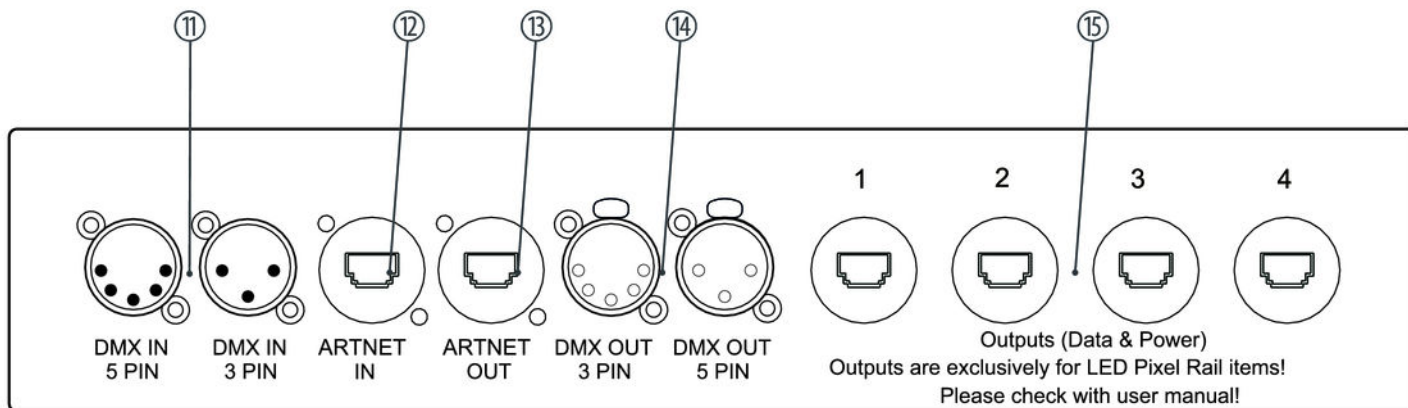
Decreases the displayed value by one.

10

[SIGNAL]

Indicator LED. This LED lights up on incoming signal.

Rear panel



11	<i>[DMX IN]</i> DMX input (3 and 5-pin) to control the device via DMX.
12	<i>[ARTNET IN]</i> RJ45 input to control the device via ArtNet.
13	<i>[ARTNET OUT]</i> RJ45 output to control other devices via ArtNet.
14	<i>[DMX OUT]</i> DMX output (3 and 5-pin) for connecting additional DMX devices in a DMX universe.
15	<i>[Outputs]</i> RJ45 outputs for controlling the pixel strips via LAN cable. A maximum of four Stairville LED Pixel Rail 40 RGB can be connected per output.

6 Operating

Connect the device to the mains and switch it on with the main switch *[Switch]*.

Operating mode Auto

Automatic operation can only be activated when the unit is operating alone or as master in a master / slave combination. This setting is only relevant if the device is not controlled via DMX, ArtNet or KlingNet.

Press *[MODE]* and use the buttons *[UP]* and *[DOWN]* to select the 'Auto Mode' option. Confirm with *[ENTER]*, to open the 'Auto Mode' menu.

Here you can activate one of 30 available show programmes and set the programme speed.

Use the buttons *[UP]* and *[DOWN]* to select the desired option and confirm with *[ENTER]*. Adjust the displayed value with *[UP]* and *[DOWN]* and press *[ENTER]* to confirm each new setting.

With *[MODE]* you return to the previous menu level.

Parameter	Function
Speed	Programme speed, value range '1' ... '9' (slow ... fast).
Program	Programme selection, value range '01' ... '29', 'Mix'.

DMX address

This setting is only relevant when the device is controlled via DMX.

Press *[MODE]* and use the buttons *[UP]* and *[DOWN]* to select the 'DMX Address' option. Confirm with *[ENTER]*, to open the 'DMX Address' menu.

Use *[UP]* and *[DOWN]* to set the desired DMX address in a range from '001' ... '512' and press *[ENTER]* to confirm the new setting. If more than one Pixel Rail driver are used, each device uses 8 DMX channels. The first controller, for example, occupies address 1 to 8. The second controller must be set accordingly to address 9, the third controller to address 18, etc.

In 8-channel operation, the address 009 must be assigned to the first controller, the address 018 to the second, etc.

With *[MODE]* you return to the previous menu level.

Software info

This menu offers you the option to display the currently installed software version.

Press *[MODE]* and use the buttons *[UP]* and *[DOWN]* to select the 'Software Version' option.

Confirm with *[ENTER]* to display the version information.

With *[MODE]* you return to the previous menu level.

Length and number of the pixel strips

In this menu you determine the length and thus the number of possible pixel strips per output.

Press *[MODE]* and use the buttons *[UP]* and *[DOWN]* to select the 'Length' option. Confirm with *[ENTER]*, to open the 'Length' menu.

Use *[UP]* or *[DOWN]* to specify the desired length in a range from '1M' ... '4M' (1 metre / one strip per output ... 4 metres / four strips per output) and confirm with *[ENTER]* to accept the new setting.

With *[MODE]* you return to the previous menu level.

Network settings

In this menu you determine the network settings.

Press *[MODE]* and use the buttons *[UP]* and *[DOWN]* to select the 'Network Settings' option. Confirm with *[ENTER]*, to open the 'Network Settings' menu.

Use the buttons *[UP]* and *[DOWN]* to select the desired option and confirm with *[ENTER]*. Adjust the displayed value with *[UP]* and *[DOWN]* and press *[ENTER]* to confirm each new setting.

Parameter	Function
IP Address	IP address
Subnet Mask	Subnet mask
Net SubNet Unive	DMX universe

Operating mode Slave

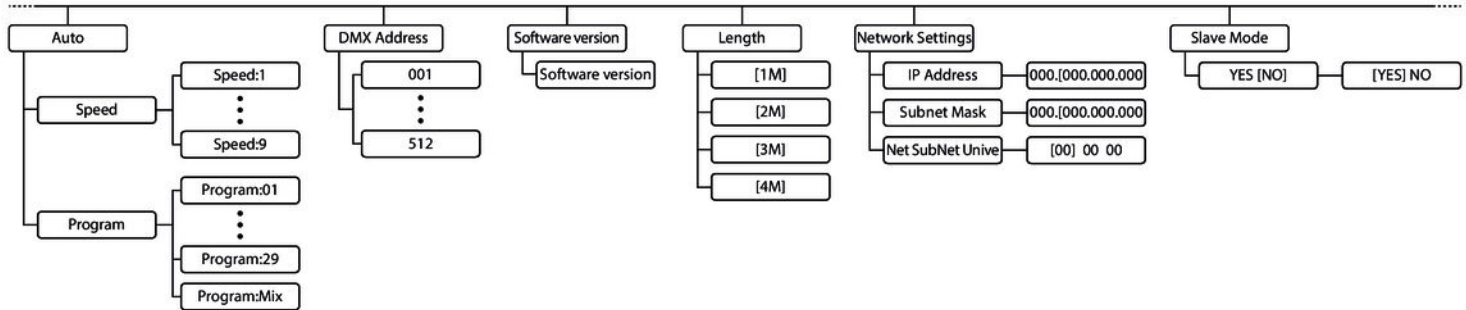
This setting is only relevant if the device is controlled via DMX and working as slave in a master / slave configuration.

Press *[MODE]* and use the buttons *[UP]* and *[DOWN]* to select the 'Slave Mode' option.

Confirm with *[ENTER]* and use *[UP]* and *[DOWN]* to select the 'YES' option. Then the device operates in Slave mode.

With *[MODE]* you return to the previous menu level.

6.1 Menu overview



6.2 Functions in DMX mode

Channel	Value	Function
1	0 ... 255	Dimmer function (0 % ... 100 %)
2	0 ... 255	Strobe effect (slow ... fast)
3	0 ... 255	Intensity red LED (0 % ... 100 %)
4	0 ... 255	Intensity green LED (0 % ... 100 %)
5	0 ... 255	Intensity blue LED (0 % ... 100 %)
6	0 ... 15	Without function
	16 ... 31	Show programme 01
	32 ... 47	Show programme 02
	48 ... 63	Show programme 03
	64 ... 79	Show programme 04
	80 ... 95	Show programme 05

Channel	Value	Function
	96 ... 111	Show programme 06
	112 ... 127	Show programme 07
	128 ... 143	Show programme 08
	144 ... 159	Show programme 09
	160 ... 175	Show programme 10
	176 ... 191	Show programme 11
	192 ... 207	Show programme 12
	208 ... 223	Show programme 13
	224 ... 239	Show programme 14
	240 ... 255	Show programme 15
7	0 ... 15	Without function
	16 ... 31	Show programme 16
	32 ... 47	Show programme 17

Channel	Value	Function
	48 ... 63	Show programme 18
	64 ... 79	Show programme 19
	80 ... 95	Show programme 20
	96 ... 111	Show programme 21
	112 ... 127	Show programme 22
	128 ... 143	Show programme 23
	144 ... 159	Show programme 24
	160 ... 175	Show programme 25
	176 ... 191	Show programme 26
	192 ... 207	Show programme 27
	208 ... 223	Show programme 28
	224 ... 239	Show programme 29

Channel	Value	Function
	240 ... 255	Show programme mix
8	0 ... 255	Programme speed (slow ... fast)

6.3 Network connection

ArtNet

For operation via ArtNet, first install the necessary software on your PC (Windows or Mac with fixed IP address). Connect the pixel rail strips to the controller and switch it on. Give the controller an IP address corresponding to the ArtNet settings. Set the subnet mask of the controller and the software to '255.0.0.0'.

Connect the controller to your PC. The software automatically recognizes all connected devices.

7 Technical specifications

Control protocols	DMX-512 ArtNet
Dimmer	0 ... 100 %
Strobe effect	0 ... 25 Hz
Cable length	max. 20 m
Power consumption	max. 400 W
Operating supply voltage	AC 100 – 240 V ~ 50/60 Hz
Fuse	5 mm × 20 mm, 5 A, 250 V, fast-acting
Dimensions (W × H × D)	290 mm × 205 mm × 85 mm
Weight	3.7 kg

8 Plug and connection assignment

Introduction

This chapter will help you select the right cables and plugs to connect your valuable equipment so that a perfect light experience is guaranteed.

Please take our tips, because especially in 'Sound & Light' caution is indicated: Even if a plug fits into a socket, the result of an incorrect connection may be a destroyed DMX controller, a short circuit or 'just' a not working light show!

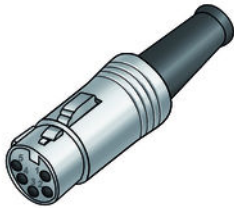
DMX connections



The unit offers a 3-pin XLR socket for DMX output and a 3-pin XLR plug for DMX input. Please refer to the drawing and table below for the pin assignment of a suitable XLR plug.

Pin	Configuration
1	Ground, shielding
2	Signal inverted (DMX-, 'cold signal')
3	Signal (DMX+, 'hot signal')

DMX connections



A five-pin XLR socket serves as DMX output, a five-pin XLR plug serves as DMX input. The drawing below and the table show the pin assignment of a matching coupling.

Pin	Assignment
1	Ground (shielding)
2	Signal inverted (DMX-, 'cold')
3	Signal (DMX+, 'hot')
4	unused / second connection (DMX-)
5	unused / second connection (DMX+)

9 Cleaning

Device components

Clean the device components that are accessible from the outside regularly. The cleaning frequency depends on the operating environment: damp, smoky or particularly dirty environments can cause greater accumulation of dirt on the device components.

- Clean with a dry soft cloth.
- Stubborn dirt can be removed with a slightly dampened cloth.
- Never use solvents or alcohol for cleaning.

10 Protecting the environment

Disposal of the packaging material



For the transport and protective packaging, environmentally friendly materials have been chosen that can be supplied to normal recycling.

Ensure that plastic bags, packaging, etc. are properly disposed of.

Do not just dispose of these materials with your normal household waste, but make sure that they are collected for recycling. Please follow the notes and markings on the packaging.

Disposal of your old device



This product is subject to the European Waste Electrical and Electronic Equipment Directive (WEEE) in its currently valid version. Do not dispose with your normal household waste.

Dispose of this device through an approved waste disposal firm or through your local waste facility. When discarding the device, comply with the rules and regulations that apply in your country. If in doubt, consult your local waste disposal facility.

LED Pixel Rail Drive 640



Musikhaus Thomann · Hans-Thomann-Straße 1 · 96138 Burgebrach · Germany · www.thomann.de