

**fun**generation

LED Pot System Bar  
RGBW

LED lighting set

Musikhaus Thomann  
Thomann GmbH  
Hans-Thomann-Straße 1  
96138 Burgebrach  
Germany  
Telephone: +49 (0) 9546 9223-0  
E-mail: [info@thomann.de](mailto:info@thomann.de)  
Internet: [www.thomann.de](http://www.thomann.de)

15.03.2018, ID: 381853

# Table of contents

<b>1</b>	<b>General notes</b> .....	<b>5</b>
	1.1 Further information.....	6
	1.2 Notational conventions.....	7
	1.3 Symbols and signal words.....	7
<b>2</b>	<b>Safety instructions</b> .....	<b>9</b>
<b>3</b>	<b>Features</b> .....	<b>15</b>
<b>4</b>	<b>Installation</b> .....	<b>16</b>
<b>5</b>	<b>Setup</b> .....	<b>20</b>
<b>6</b>	<b>Connections and controls</b> .....	<b>23</b>
<b>7</b>	<b>Operating</b> .....	<b>29</b>
	7.1 Starting the device.....	29
	7.2 Device functions.....	29
	7.3 Foot switch.....	30
	7.4 Remote control.....	31
	7.5 Operating on the unit.....	33

7.6	Menu overview.....	40
7.7	Functions in 2-channel DMX mode.....	41
7.8	Functions in 4-channel DMX mode.....	44
7.9	Functions in 5-channel DMX mode.....	45
7.10	Functions in 8-channel DMX mode.....	45
7.11	Functions in 10-channel DMX mode .....	49
7.12	Functions in 18-channel DMX mode .....	50
<b>8</b>	<b>Technical specifications.....</b>	<b>53</b>
<b>9</b>	<b>Plug and connection assignments.....</b>	<b>55</b>
<b>10</b>	<b>Troubleshooting.....</b>	<b>56</b>
<b>11</b>	<b>Cleaning.....</b>	<b>58</b>
<b>12</b>	<b>Protecting the environment.....</b>	<b>59</b>

# 1 General notes

This manual contains important instructions for the safe operation of the unit. Read and follow the safety instructions and all other instructions. Keep the manual for future reference. Make sure that it is available to all those using the device. If you sell the unit please make sure that the buyer also receives this manual.

Our products are subject to a process of continuous development. Thus, they are subject to change.

## 1.1 Further information

On our website ([www.thomann.de](http://www.thomann.de)) you will find lots of further information and details on the following points:

Download	This manual is also available as PDF file for you to download.
Keyword search	Use the search function in the electronic version to find the topics of interest for you quickly.
Online guides	Our online guides provide detailed information on technical basics and terms.
Personal consultation	For personal consultation please contact our technical hotline.
Service	If you have any problems with the device the customer service will gladly assist you.

## 1.2 Notational conventions

This manual uses the following notational conventions:

### Letterings

The letterings for connectors and controls are marked by square brackets and italics.

**Examples:** *[VOLUME]* control, *[Mono]* button.



### Displays

Texts and values displayed on the device are marked by quotation marks and italics.

**Examples:** *'24ch'*, *'OFF'*.

## 1.3 Symbols and signal words

In this section you will find an overview of the meaning of symbols and signal words that are used in this manual.

Signal word	Meaning
<b>DANGER!</b>	This combination of symbol and signal word indicates an immediate dangerous situation that will result in death or serious injury if it is not avoided.
<b>WARNING!</b>	This combination of symbol and signal word indicates a possible dangerous situation that can result in death or serious injury if it is not avoided.
<b>NOTICE!</b>	This combination of symbol and signal word indicates a possible dangerous situation that can result in material and environmental damage if it is not avoided.
Warning signs	Type of danger
	Warning – high-voltage.
	Warning – danger zone.



## 2 Safety instructions

### Intended use

This device is intended to be used as an electronic illumination effect using LED technics. The device is designed for professional use and is not suitable for use in households. Use the device only as described in this user manual. Any other use or use under other operating conditions is considered to be improper and may result in personal injury or property damage. No liability will be assumed for damages resulting from improper use.

This device may be used only by persons with sufficient physical, sensorial, and intellectual abilities and having corresponding knowledge and experience. Other persons may use this device only if they are supervised or instructed by a person who is responsible for their safety.

### Safety



#### **DANGER!**

##### **Danger for children**

Ensure that plastic bags, packaging, etc. are disposed of properly and are not within reach of babies and young children. Choking hazard!

Ensure that children do not detach any small parts (e.g. knobs or the like) from the unit. They could swallow the pieces and choke!

Never let children unattended use electrical devices.



#### **DANGER!**

##### **Electric shock caused by high voltages inside**

Within the device there are areas where high voltages may be present. Never remove any covers.

There are no user-serviceable parts inside.

Do not use the device if covers, protectors or optical components are missing or damaged.



**DANGER!**

**Electric shock caused by short-circuit**

Always use proper ready-made insulated mains cabling (power cord) with a protective contact plug. Do not modify the mains cable or the plug. Failure to do so could result in electric shock/death or fire. If in doubt, seek advice from a registered electrician.



**WARNING!**

**Eye damage caused by high light intensity**

Never look directly into the light source.



**WARNING!**

**Risk of epileptic shock**

Strobe lighting can trigger seizures in photosensitive epilepsy. Sensitive persons should avoid looking at strobe lights.



### **NOTICE!**

#### **Risk of fire**

Do not cover the device nor any ventilation slots. Do not place the device near any direct heat source. Keep the device away from naked flames.



### **NOTICE!**

#### **Operating conditions**

This device has been designed for indoor use only. To prevent damage, never expose the device to any liquid or moisture. Avoid direct sunlight, heavy dirt, and strong vibrations.



**NOTICE!**

**Power supply**

Before connecting the device, ensure that the input voltage (AC outlet) matches the voltage rating of the device and that the AC outlet is protected by a residual current circuit breaker. Failure to do so could result in damage to the device and possibly injure the user.

Unplug the device before electrical storms occur and when it is unused for long periods of time to reduce the risk of electric shock or fire.



**NOTICE!**

**Risk of fire due to incorrect polarity**

Incorrectly inserted batteries may destroy the device or the batteries.

Ensure that proper polarity is observed when inserting batteries.



**NOTICE!**

**Possible damage by leaking batteries**

Leaking batteries can cause permanent damage to the device.

Take batteries out of the device if it is not going to be used for a longer period.

### 3 Features

The LED lighting set is particularly suitable for lighting applications in clubs and discotheques, on rock stages, in theatres and musicals.

Special features of the device:

- 4 LED pots with 48 × 1 W RGBW LEDs (12 per spot, each 3 × red, 3 × green, 3 × blue, 3 × white)
- Control via DMX (6 different modes), buttons and display on the unit or via remote control (not included)
- 14 preprogrammed automatic shows
- Sound control
- Master / Slave mode
- Easy transport, easy mounting
- An additional carrying bag is included

## 4 Installation

Unpack and carefully check that there is no transportation damage before using the unit. Keep the equipment packaging. To fully protect the device against vibration, dust and moisture during transportation or storage use the original packaging or your own packaging material suitable for transport or storage, respectively.



**NOTICE!**

**Risk of overheating**

Always ensure sufficient ventilation.

The ambient temperature must always be below 40 °C (104 °F).



**NOTICE!****Use of stands**

When mounting the device onto a stand, ensure that the stand is in a safe and stable position and that the weight of the device does not exceed the maximum permissible load capacity of the stand.

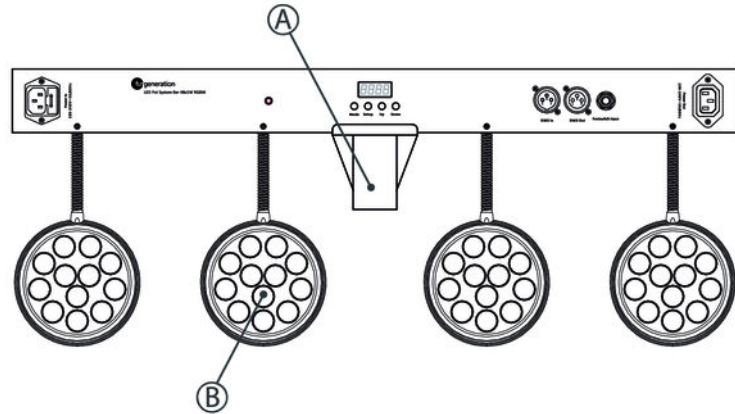
**NOTICE!****Possible data transmission errors**

For error-free operation make use of dedicated DMX cables and do not use ordinary microphone cables.

Never connect the DMX input or output to audio devices such as mixers or amplifiers.

## Pre-mounted spots

The four spots are pre-assembled on the T-bar.

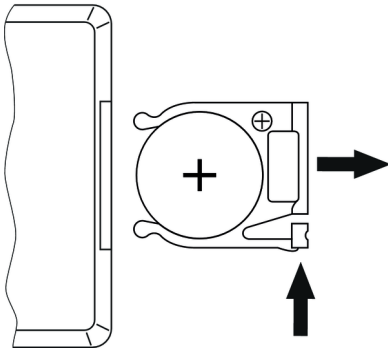


A	Flange 36 mm to attach the T-bar on a tripod.
B	Spot.

### Inserting the battery into the remote control

Press the lock of the battery holder to the centre of the housing and pull out the battery holder like a drawer. Insert the battery. The battery is correct if the positive pole points to the housing base of the remote control. Slide the battery holder back into the remote until it clicks into place.

When shipping, the battery is already installed in the remote and protected against discharge by a transparent plastic foil. Remove the plastic foil prior to first use.

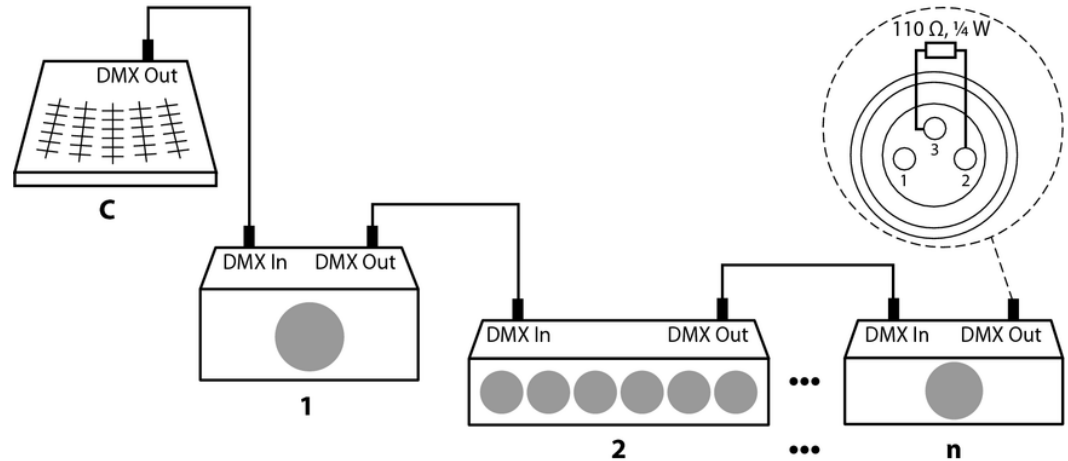


## 5 Setup

Create all connections while the device is off. Use the shortest possible high-quality cables for all connections. Take care when running the cables to prevent tripping hazards.

## Connections in DMX mode

Connect the DMX input of the device to the DMX output of a DMX controller or another DMX device. Connect the output of the first DMX device to the input of the second one, and so on to form a daisy chain. Always ensure that the output of the last DMX device in the daisy chain is terminated with a resistor ( $110\ \Omega$ ,  $\frac{1}{4}\text{ W}$ ).



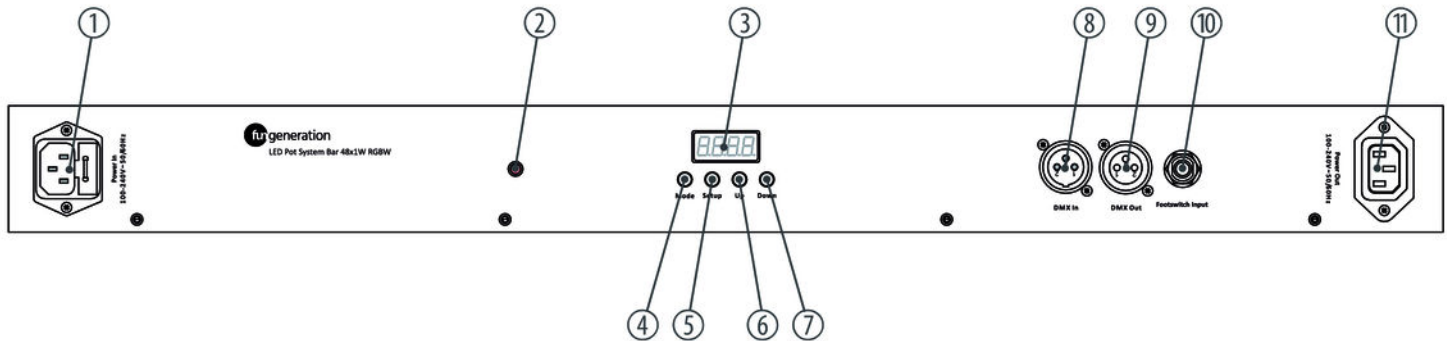
### **DMX indicator**

If the dot behind the first character of the display is flashing in the DMX mode, no DMX signal is received. Maybe the DMX controller is not switched on or there is a cabling error. If the indicator lights permanently, the device receives a valid DMX signal.

### **Connections in master/slave mode**

When you configure a group of devices in master/slave mode, the first unit will control the other units for an automatic, sound-activated, synchronized show. This function is ideal when you want to start a show immediately. Connect the DMX output of the master device to the DMX input of the first slave device. Then connect the DMX output of the first slave device to the DMX input of the second slave device and so on.

## 6 Connections and controls



LED Pot System Bar RGBW

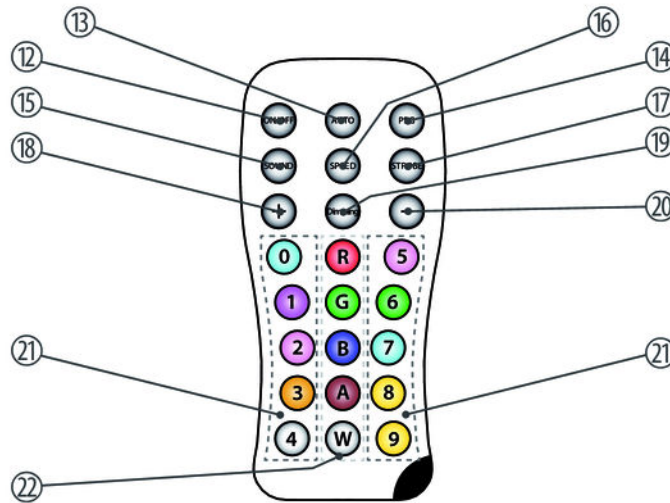
1	<i>[Power In]</i> IEC chassis plug for operating voltage supply with fuse holder.
2	Infrared sensor for the remote control signals. Make sure that the IR sensor is not obstructed.
3	Display.
4	<i>[Mode]</i> Activates the main menu and toggles between menu items. Closes an opened submenu.
5	<i>[Setup]</i> Selects an option of the respective operating mode, confirms the set value.
6	<i>[Up]</i> Increases the displayed value by one.
7	<i>[Down]</i> Decreases the displayed value by one.
8	<i>[DMX In]</i> DMX input.



9	<i>[DMX Out]</i> DMX output.
10	<i>[Foot switch Input]</i> 1/4" phone socket to connect a foot controller.
11	<i>[Power Out]</i> IEC chassis socket for the power supply cable to the next unit.

**Remote control**

A remote control is optional accessory and not included.



12	<i>[ON/OFF]</i> Button to turn the device on and off.
13	<i>[AUTO]</i> Activates the 'Automatic' mode.
14	<i>[PRG]</i> Activates the operating mode 'Preprogrammed automatic show'.
15	<i>[SOUND]</i> Activates the 'Sound Control' mode.
16	<i>[SPEED]</i> Adjusts the process speed in 'Preprogrammed automatic show' mode.
17	<i>[STROBE]</i> Activates the strobe effect in 'Preprogrammed automatic show' mode.
18	<i>[+]</i> Increases the displayed value by one.

19	<i>[Dimming]</i> Brightness control.
20	<i>[-]</i> Decreases the displayed value by one.
21	<i>[0] ... [9]</i> Numeric keys.
22	Buttons for colour selection. Use <ul style="list-style-type: none"><li>■ <i>[W]</i> for white light,</li><li>■ <i>[A]</i> for amber light,</li><li>■ <i>[R]</i>, <i>[G]</i> or <i>[B]</i> for primary colours red, green and blue,</li><li>■ the coloured buttons for directly selecting a mixed colour.</li></ul>

## **7 Operating**

### **7.1 Starting the device**

Connect the device to the power supply to start operation.

### **7.2 Device functions**

All functions are controlled via the keys and the display on the unit, via infrared remote control or via foot switch (both not included).

### 7.3 Foot switch

You can also control several device functions using an optional foot switch. Please note the following table for the function assignment.

<b>Auto Run</b>	<p>Press the button repeatedly until the display shows 'AUTO' to activate the 'Automatic' mode (14 programmes run automatically in sequence).</p> <p>Press the switch in a running programme to jump into the next one. If you press the switch in programme 14, the sequence restarts with programme 1.</p>
<b>Sound Active</b>	<p>Press the button once to activate the 'Sound-control' mode.</p> <p>Press the button again to toggle between the various sound modes.</p>
<b>Freeze</b>	<p>Press the button once to pause a running programme.</p> <p>Press the button again to let the programme continue.</p>
<b>Blackout</b>	<p>Press the button once to turn off a running programme.</p> <p>Press the button again to return to the previous mode.</p>

## 7.4 Remote control

If the device neither is working as Slave in a Master / Slave configuration nor is not controlled via DMX you can control it using the remote control.

### Switching on / off

Use *[ON/OFF]* to turn the device on or off.

### Operating mode 'Automatic'

Press *[AUTO]*. The playback of 'Pr02' to 'Pr14' starts automatically.

### Operating mode 'Preprogrammed automatic show'

Press *[PRG]*. Use *[+]* and *[-]* to select a value between 'Pr.01' and 'Pr.14'.

In the 'Preprogrammed automatic show' mode, you can activate the strobe effect. To do so, press *[STROBE]* and then use *[+]* and *[-]* to select a value between 'FS00' (slow) and 'FS99' (fast). Press *[STROBE]* again to disable the Strobe effect.

For the programmes 'Pr.01' and 'Pr.09', it is possible to adjust the process speed. To do so, press *[SPEED]* and then use *[+]* and *[-]* to select a value between 'SP01' (slow) and 'SPFL' (fast).

### Sound control

Press *[SOUND]*. This activates a sound controlled automatic show.

Use *[+]* and *[-]* to adjust the sensitivity for the sound control in a range from 'SV.00' to 'SV.31'.

### Dimming

Press *[Dimming]* to adjust the brightness of the primary colours. Press *[R]* (red), *[G]* (green) or *[B]* (blue) and then use *[+]* and *[-]* to select a value between 0 and 255.

### Colour selection

Use the coloured buttons to select a colour tone in any mode. The following assignment applies:

Button	Colour	Button	Colour	Button	Colour
0	Cyan	5	Bright red	R	Red
1	Purple	6	Bright green	G	Green
2	Magenta	7	Bright blue	B	Blue
3	Orange	8	Yellow	A	Amber
4	Cold white	9	Warm white	W	White



**Resetting to factory defaults**

To reset the device to factory default settings, press *[Mode]* repeatedly until the display shows 'Set'. Press *[Setup]*.

## 7.5 Operating on the unit

Press *[Mode]* to activate the main menu and select an operating mode. Use *[Setup]* to select further options. Use *[Up]* and *[Down]* to change the respectively indicated value. When the display shows the desired value press *[Mode]*.

If you do not press any key for about 30 seconds, the display will be blanked. It will be reactivated to display the previously shown menu by pressing any button.

The set values are retained even when the device is disconnected from the mains power supply.

### **Operating mode 'Preprogrammed automatic show'**

A preprogrammed automatic show can only be activated when the unit is operating in stand-alone mode or as master in a master / slave combination. This setting is only relevant if the device is not controlled via DMX.

Press *[Mode]* repeatedly until the display shows 'Pr.xx'. Now you can select one of the preprogrammed automatic shows. Use *[Up]* and *[Down]* to select a value between 'Pr.01' and 'Pr.14'.

#### **Settings for programme 01:**

For 'Pr.01', you can choose from 14 colours, white or blackout. Press *[Setup]*. With *[Up]* and *[Down]* you can now select one of the colours.

To adjust the strobe frequency, press again *[Setup]*. The display shows 'FS00'. With *[Up]* and *[Down]* you can now select a value between 'SPFS00' (slow) and 'FS99' (fast).

#### **Settings for programmes 02 to 14:**

To adjust the programme process speed, press again *[Setup]*. The display shows 'SPxx'. With *[Up]* and *[Down]* you can now select a value between 'SP01' (slow) and 'SPFL' (fast).

To adjust the strobe frequency, press again *[Setup]*. The display shows 'FS00'. With *[Up]* and *[Down]* you can now select a value between 'SPFS00' (slow) and 'FS99' (fast).

**Operating mode 'Automatic'**

Automatic operation can only be activated when the unit is operating in stand alone mode or as master in a master / slave combination. This setting is only relevant if the device is not controlled via DMX.

Press *[Mode]* repeatedly until the display shows 'AUTO'. The playback of 'Pr02' to 'Pr14' starts automatically.

## DMX mode

This setting is only relevant when the device is controlled via DMX.

Press *[Mode]* repeatedly until the display shows 'd.001'.

Now you can set the number of the first DMX channel to be used by the device (DMX address). Use *[Up]* and *[Down]* to select a value between 1 and 512 (the display shows 'd.001' ... 'd.510').

Make sure that this number matches the configuration of your DMX controller. The following table shows the highest possible DMX address for the various DMX modes

Mode	Highest possible DMX address
2-channel	511
4-channel	509
5-channel	508
8-channel	505
10-channel	503
18-channel	495

Press *[Setup]*. With *[Up]* and *[Down]* you can now select one of the following DMX operating modes:

- '4-ch' (four channels)
- '5-ch' (five channels)
- '10ch' (ten channels)
- '18ch' (18 channels)
- '2-ch' (two channels)
- '8-ch' (eight channels)

### **Operating mode 'Slave'**

This setting is only relevant if the device is serving as Slave in a Master / Slave configuration and is not controlled via DMX.

Press *[Mode]* repeatedly until the display shows 'SLAV'.

### **Sound control**

A sound controlled automatic show can only be activated when the unit is operating in stand alone mode or as master in a master / slave combination. This setting is only relevant if the device is not controlled via DMX.

Press *[Mode]* repeatedly until the display shows 'Soud'. This activates a sound controlled automatic show.

Press again *[Setup]* and use *[Up]* and *[Down]* to adjust the sensitivity for the sound control in a range from 'SV.00' to 'SV.31'.

**Constant unicoloured pattern**

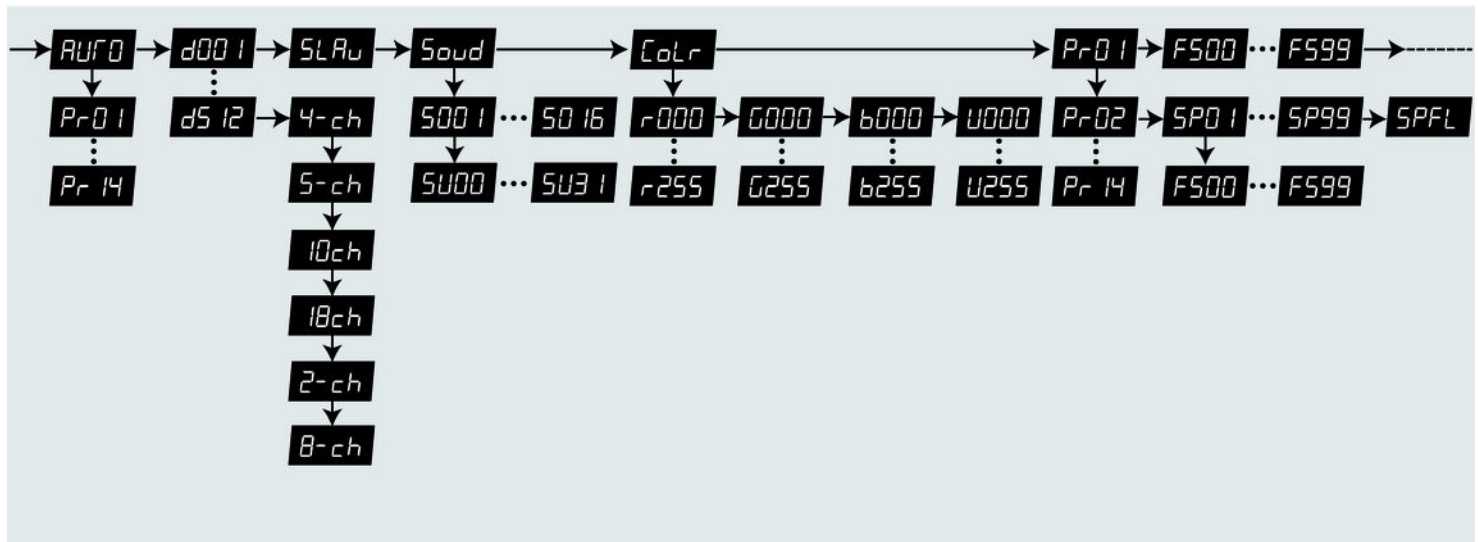
A constant unicoloured pattern can only be activated when the unit is operating in stand alone mode or as master in a master / slave combination. This setting is only relevant if the device is not controlled via DMX.

Press *[Mode]* repeatedly until the display shows 'Colr'. Press *[Setup]*. The display shows 'r.xxx', 'G.xxx', or 'b.xxx'. Press *[Setup]* to switch between the colours.

With *[Up]* and *[Down]* to set the colour intensity:

Display	Meaning
'r.000' ... 'r.255'	Red
'G.000' ... 'G.255'	Green
'b.000' ... 'b.255'	Blue
'W.000' ... 'W.255'	White

## 7.6 Menu overview





## 7.7 Functions in 2-channel DMX mode

Channel	Value	Function
1	Operating mode	
	1 ... 17	Constant pattern, colour is defined via channel 2
	18 ... 35	Preprogrammed automatic show no. 2
	36 ... 53	Preprogrammed automatic show no. 3
	54 ... 71	Preprogrammed automatic show no. 4
	72 ... 89	Preprogrammed automatic show no. 5
	90 ... 107	Preprogrammed automatic show no. 6
	108 ... 125	Preprogrammed automatic show no. 7
	126 ... 143	Preprogrammed automatic show no. 8
	144 ... 161	Preprogrammed automatic show no. 9
	162 ... 179	Preprogrammed automatic show no. 10

Channel	Value	Function
	180 ... 197	Preprogrammed automatic show no. 11
	198 ... 215	Preprogrammed automatic show no. 12
	216 ... 233	Preprogrammed automatic show no. 13
	234 ... 251	Preprogrammed automatic show no. 14
	252... 255	Sound-controlled show
2	Function depending on setting of channel 1	
	Channel 1 = 0 ... 17	
	0 ... 16	LEDs off
	17 ... 33	Red
	34 ... 50	Green
	51 ... 67	Blue
	68 ... 84	White
	85 ... 101	Yellow

Channel	Value	Function
	102 ... 118	Magenta
	119 ... 135	Pastel red
	136 ... 152	Cyan
	153 ... 169	Pastel green
	170 ... 186	Pastel blue
	187 ... 203	RGB white
	204 ... 220	Warm white
	221 ... 237	Pink
	238 ... 254	Light blue
	255	Full intensity of all LEDs RGBW
	Channel 1 = 18 ... 251:	
	0 ... 255	Auto shows speed (slow to fast)

Channel	Value	Function
	Channel 1 = 252 ... 255:	
	0 ... 255	No function

## 7.8 Functions in 4-channel DMX mode

Channel	Value	Function
1	0...255	Intensity red (0 % to 100 %), for all LEDs together
2	0...255	Intensity green (0 % to 100 %), for all LEDs together
3	0...255	Intensity blue (0 % to 100 %), for all LEDs together
4	0...255	Intensity white (0 % to 100 %), for all LEDs

## 7.9 Functions in 5-channel DMX mode

Channel	Value	Function
1	0...255	Dimmer (0 % to 100 %)
2	0...255	Intensity red (0 % to 100 %), for all LEDs together
3	0...255	Intensity green (0 % to 100 %), for all LEDs together
4	0...255	Intensity blue (0 % to 100 %), for all LEDs together
5	0...255	Intensity white (0 % to 100 %), for all LEDs

## 7.10 Functions in 8-channel DMX mode

Channel	Value	Function
1	0...255	Dimmer (0 % to 100 %)
2	0...255	Intensity red (0 % to 100 %) for all LEDs if channel 6 = 0

Channel	Value	Function
3	0...255	Intensity green (0 % to 100 %) for all LEDs if channel 6 = 0
4	0...255	Intensity blue (0 % to 100 %) for all LEDs if channel 6 = 0
5	0...255	Intensity white (0 % to 100 %) for all LEDs if channel 6 = 0
6	Operating mode	
	0	Colour mixing of primary colours with channels 2, 3, 4 and 5
	1 ... 17	Constant pattern, colour is defined via channel 7
	18 ... 35	Preprogrammed automatic show no. 2
	36 ... 53	Preprogrammed automatic show no. 3
	54 ... 71	Preprogrammed automatic show no. 4
	72 ... 89	Preprogrammed automatic show no. 5
	90 ... 107	Preprogrammed automatic show no. 6
	108 ... 125	Preprogrammed automatic show no. 7
	126 ... 143	Preprogrammed automatic show no. 8

Channel	Value	Function
	144 ... 161	Preprogrammed automatic show no. 9
	162 ... 179	Preprogrammed automatic show no. 10
	180 ... 197	Preprogrammed automatic show no. 11
	198 ... 215	Preprogrammed automatic show no. 12
	216 ... 233	Preprogrammed automatic show no. 13
	234 ... 251	Preprogrammed automatic show no. 14
	252... 255	Sound-controlled show
7	Function depending on setting of channel 6	
	Channel 6 = 0 ... 17	
	0 ... 16	LEDs off
	17 ... 33	Cyan
	34 ... 50	Purple
	51 ... 67	Magenta

Channel	Value	Function
	68 ... 84	Orange
	85 ... 101	Cold white
	102 ... 118	Light red
	119 ... 135	Light green
	136 ... 152	Light blue
	153 ... 169	Yellow
	170 ... 186	Warm white
	187 ... 203	Red
	204 ... 220	Green
	221 ... 237	Blue
	238 ... 254	Amber
	255	Full intensity of all LEDs
	Channel 6 = 18 ... 251:	



Channel	Value	Function
	0 ... 255	Auto shows speed (slow to fast)
	Channel 6 = 252 ... 255:	
	0 ... 255	No function

## 7.11 Functions in 10-channel DMX mode

Channel	Value	Function
1	0...255	Dimmer (0 % to 100 %)
2	0...255	Intensity red (0 % to 100 %) all LEDs spot 1 and 2
3	0...255	Intensity green (0 % to 100 %) all LEDs spot 1 and 2
4	0...255	Intensity blue (0 % to 100 %) all LEDs spot 1 and 2
5	0...255	Intensity white (0 % to 100 %) for all LEDs of spots 1 and 2

Channel	Value	Function
6	0...255	Intensity red (0 % to 100 %) all LEDs spot 3 and 4
7	0...255	Intensity green (0 % to 100 %) all LEDs spot 3 and 4
8	0...255	Intensity blue (0 % to 100 %) all LEDs spot 3 and 4
9	0...255	Intensity white (0 % to 100 %) for all LEDs of spots 3 and 4
10	0...255	Flash effect, increasing speed for all LEDs

## 7.12 Functions in 18-channel DMX mode

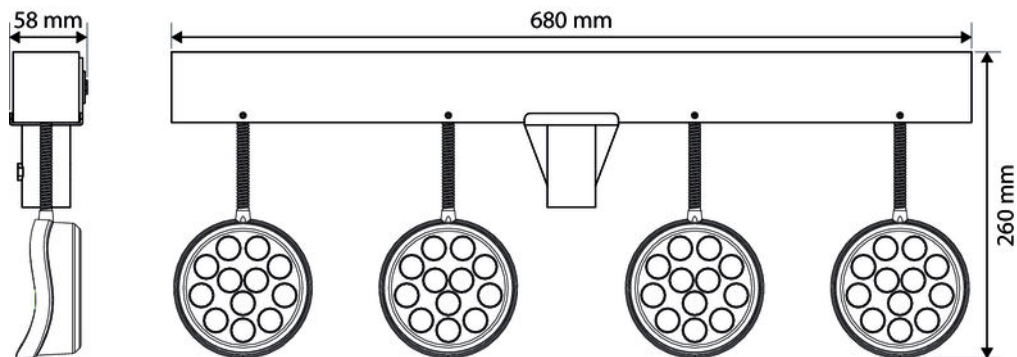
Channel	Value	Function
1	0...255	Dimmer (0 % to 100 %)
2	0...255	Intensity red (0 % to 100 %) for all LEDs of spot 1
3	0...255	Intensity green (0 % to 100 %) for all LEDs of spot 1

Channel	Value	Function
4	0...255	Intensity blue (0 % to 100 %) for all LEDs of spot 1
5	0...255	Intensity white (0 % to 100 %) for all LEDs of spot 1
6	0...255	Intensity red (0 % to 100 %) for all LEDs of spot 2
7	0...255	Intensity green (0 % to 100 %) for all LEDs of spot 2
8	0...255	Intensity blue (0 % to 100 %) for all LEDs of spot 2
9	0...255	Intensity white (0 % to 100 %) for all LEDs of spot 2
10	0...255	Intensity red (0 % to 100 %) for all LEDs of spot 3
11	0...255	Intensity green (0 % to 100 %) for all LEDs of spot 3
12	0...255	Intensity blue (0 % to 100 %) for all LEDs of spot 3
13	0...255	Intensity white (0 % to 100 %) for all LEDs of spot 3
14	0...255	Intensity red (0 % to 100 %) for all LEDs of spot 4
15	0...255	Intensity green (0 % to 100 %) for all LEDs of spot 4
16	0...255	Intensity blue (0 % to 100 %) for all LEDs of spot 4

Channel	Value	Function
17	0...255	Intensity white (0 % to 100 %) for all LEDs of spot 4
18	0...255	Flash effect, increasing speed for all LEDs

## 8 Technical specifications

Number of DMX channels	2, 4, 5, 8, 10, or 18 channels, depending on operating mode
Illuminant	48 × 1 W RGBW LEDs (12 per spot, each 3 × red, 3 × green, 3 × blue, 3 × white)
Beam angle	approx. 25°
Power consumption	58 W
Operating supply voltage	100 ... 240 V~ 50/60 Hz
Fuse	5 mm × 20 mm, 1 A, 250 V, slow-blow
Dimensions (W × H × D)	680 mm × 260 mm × 58 mm (25.12in. × 26.14in. × 4.48in.)
Weight	2.98 kg



# 9 Plug and connection assignments

## Introduction

This chapter will help you select the right cables and plugs to connect your valuable equipment so that a perfect light experience is guaranteed.

Please take our tips, because especially in 'Sound & Light' caution is indicated: Even if a plug fits into a socket, the result of an incorrect connection may be a destroyed DMX controller, a short circuit or 'just' a not working light show!

## DMX connections



The unit offers a 3-pin XLR socket for DMX output and a 3-pin XLR plug for DMX input. Please refer to the drawing and table below for the pin assignment of a suitable XLR plug.

Pin	Configuration
1	Ground, shielding
2	Signal inverted (DMX-, 'cold signal')
3	Signal (DMX+, 'hot signal')

## 10 Troubleshooting



### **NOTICE!**

#### **Possible data transmission errors**

For error-free operation make use of dedicated DMX cables and do not use ordinary microphone cables.

Never connect the DMX input or output to audio devices such as mixers or amplifiers.

In the following we list a few common problems that may occur during operation. We give you some suggestions for easy troubleshooting:



Symptom	Remedy
The unit does not work, no light	Check the mains connection and the fuse.
No response to the DMX controller	1. If the dot behind the first character of the display is flashing in the DMX mode, no DMX signal is received. Make sure that the DMX controller is turned on. Check the DMX ports and cables for proper connection.
	2. If the display does not flash and still no response, check the address settings and the DMX polarity.
	3. Try using another DMX controller.
	4. Check to see if the DMX cables run near or alongside to high voltage cables that may cause damage or interference to DMX interface circuits.

If the procedures recommended above do not succeed, please contact our Service Center. You can find the contact information at [www.thomann.de](http://www.thomann.de).

## 11 Cleaning

### Optical lenses

Clean the optical lenses, that are accessible from the outside, regularly in order to optimize the light output. The frequency of cleaning depends on the operating environment: wet, smoky or particularly dirty surroundings can cause more accumulation of dirt on the optics of the device.

- Clean with a soft cloth using our lamp and lens cleaner (item no. 280122).
- Always dry the parts carefully.

## 12 Protecting the environment

### Disposal of the packaging material



For the transport and protective packaging, environmentally friendly materials have been chosen that can be supplied to normal recycling.

Ensure that plastic bags, packaging, etc. are properly disposed of.

Do not just dispose of these materials with your normal household waste, but make sure that they are fed to a recovery. Please follow the notes and markings on the packaging.

### Disposal of batteries



Batteries must not be disposed of as domestic waste or thrown into fire. Dispose of the batteries according to national or local regulations regarding hazardous waste. To protect the environment, dispose of empty batteries at your retail store or at appropriate collection sites.

### Disposal of your old device



This product is subject to the European Waste Electrical and Electronic Equipment Directive (WEEE) in its currently valid version. Do not dispose with your normal household waste.

Dispose this device through an approved waste disposal firm or through your local waste facility. When discarding the device, comply with the rules and regulations that apply in your country. If in doubt, consult your local waste disposal facility.

LED Pot System Bar RGBW





