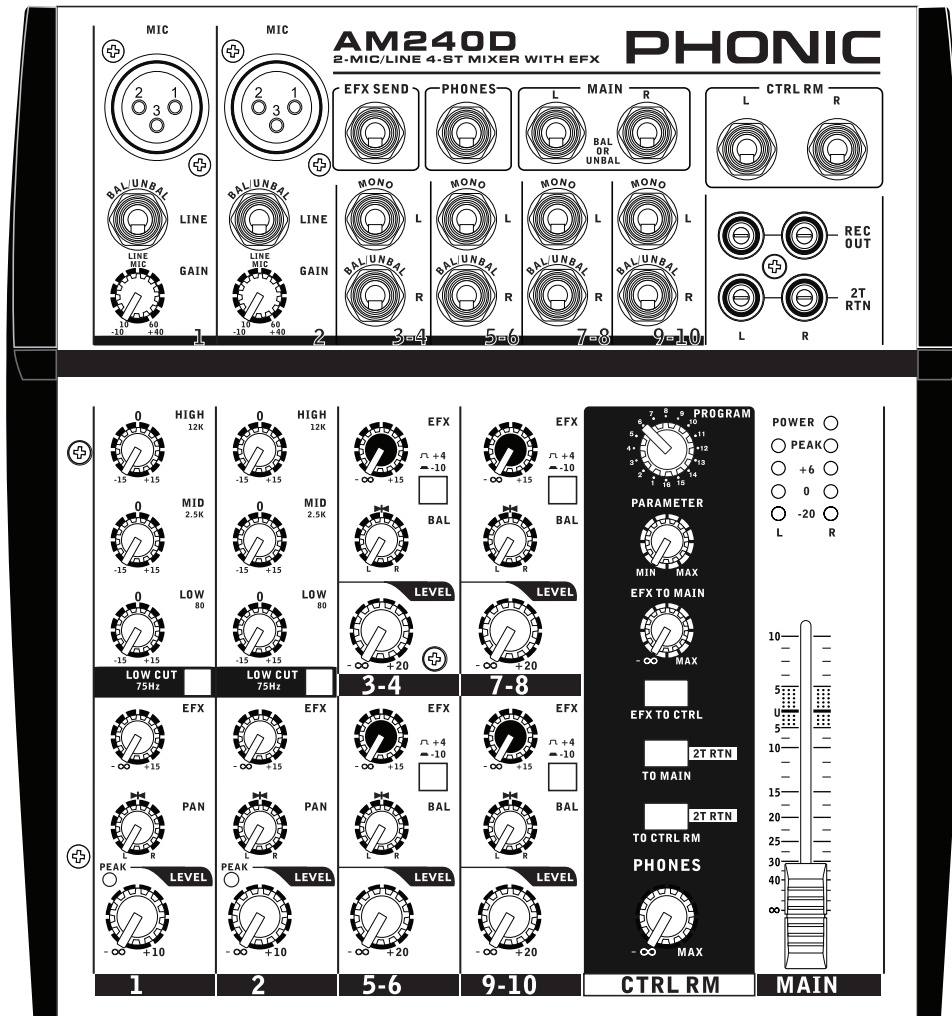


PHONIC



WWW.PHONIC.COM

AM 240D

AM 240
AM 240D

- User's Manual
- Manual del Usuario

AM 240

AM 240D

COMPACT MIXERS
MIXERS COMPACTAS



ENGLISH I

ESPAÑOL II

APPENDIX III

USER'S MANUAL

CONTENTS

INTRODUCTION.....1
GETTING STARTED.....1
CHANNEL SETUP.....1
MAKING CONNECTIONS.....2
CONTROLS AND SETTINGS.....3
DIGITAL EFFECT TABLE.....5
SPECIFICATIONS.....6

APPENDIX

APPLICATIONS.....1
DIMENSIONS.....3
BLOCK DIAGRAMS.....4

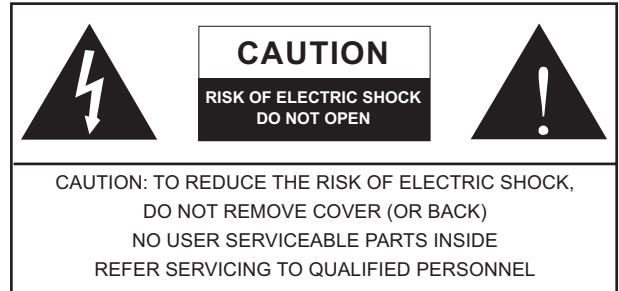
Phonic preserves the right to improve or alter any information within this document without prior notice

IMPORTANT SAFETY INSTRUCTIONS

The apparatus shall not be exposed to dripping or splashing and that no objects filled with liquids, such as vases, shall be placed on the apparatus. The MAINS plug is used as the disconnect device, the disconnect device shall remain readily operable.

Warning: the user shall not place this apparatus in the confined area during the operation so that the mains switch can be easily accessible.

1. Read these instructions before operating this apparatus.
2. Keep these instructions for future reference.
3. Heed all warnings to ensure safe operation.
4. Follow all instructions provided in this document.
5. Do not use this apparatus near water or in locations where condensation may occur.
6. Clean only with dry cloth. Do not use aerosol or liquid cleaners. Unplug this apparatus before cleaning.
7. Do not block any of the ventilation openings. Install in accordance with the manufacturer's instructions.
8. Do not install near any heat sources such as radiators, heat registers, stoves, or other apparatus (including amplifiers) that produce heat.
9. Do not defeat the safety purpose of the polarized or grounding-type plug. A polarized plug has two blades with one wider than the other. A grounding type plug has two blades and a third grounding prong. The wide blade or the third prong is provided for your safety. If the provided plug does not fit into your outlet, consult an electrician for replacement of the obsolete outlet.
10. Protect the power cord from being walked on or pinched particularly at plug, convenience receptacles, and the point where they exit from the apparatus.
11. Only use attachments/accessories specified by the manufacturer.
12. Use only with a cart, stand, tripod, bracket, or table specified by the manufacturer, or sold with the apparatus. When a cart is used, use caution when moving the cart/apparatus combination to avoid injury from tip-over.
13. Unplug this apparatus during lightning storms or when unused for long periods of time.
14. Refer all servicing to qualified service personnel. Servicing is required when the apparatus has been damaged in any way, such as power-supply cord or plug is damaged, liquid has been spilled or objects have fallen into the apparatus, the apparatus has been exposed to rain or moisture, does not operate normally, or has been dropped.



The lightning flash with arrowhead symbol, within an equilateral triangle, is intended to alert the user to the presence of uninsulated "dangerous voltage" within the product's enclosure that may be of sufficient magnitude to constitute a risk of electric shock to persons.



The exclamation point within an equilateral triangle is intended to alert the user to the presence of important operating and maintenance (servicing) instructions in the literature accompanying the appliance.

WARNING: To reduce the risk of fire or electric shock, do not expose this apparatus to rain or moisture.

CAUTION: Use of controls or adjustments or performance of procedures other than those specified may result in hazardous radiation exposure.



INTRODUCTION

Thank you for choosing one of Phonic's many quality compact mixers. The AM series of mixers – designed by the ingenious engineers that have created a variety of mixers fantastic in style and performance in the past – displays similar proficiency that previous Phonic products have shown; with more than a few refinements, of course. The AM series features full gain ranges, amazing low distortion levels, and incredibly wide dynamic ranges, just showing the dominance these small machines will have in the mixing World.

We know how eager you are to get started – wanting to get the mixer out and hook it all up is probably your number one priority right now – but before you do, we strongly urge you to take a look through this manual. Inside, you will find important facts and figures on the setup, use and applications of your brand new mixer. If you do happen to be one of the many people who flatly refuse to read user manuals, then we just urge you to at least glance at the Instant Setup section. After glancing at or reading through the manual (we applaud you if you do read the entire manual), please store it in a place that is easy for you to find, because chances are there's something you missed the first time around.

Features

- Two balanced mic/line inputs with 3-band EQ and low-cut
- Four stereo inputs with +4/-10 select buttons
- Post-fader AUX/EFX send on every input
- Global +48V phantom power
- CTRL RM and headphones outputs
- Peak indicators on each mono input channel
- Convenient RCA stereo I/O for MD, MP3 player
- Stereo EFX send cue for better monitoring of individual channels
- Balanced master output with 60mm fader control

AM240D also features:

- 32/40-bit digital stereo effect processor with 16 programs and one main parameter control

GETTING STARTED

1. Ensure all power is turned off on your mixer. To totally ensure this, the AC cable should not be connected to the unit
2. All faders and level controls should be set at the lowest level and all channels switched off to ensure no sound is inadvertently sent through the outputs when the device is switched on. All levels can be altered to acceptable degrees after the device is turned on using the channel setup instructions.
3. Plug any necessary equipment into the device's various outputs. This could include amplifiers and speakers, monitors, signal processors, and/or recording devices.
4. Plug the supplied AC cable into the AC inlet on the back of the device and then into a power outlet of a suitable voltage.
5. Turn the power switch on and follow the channel setup instructions to get the most out of your equipment.

CHANNEL SETUP

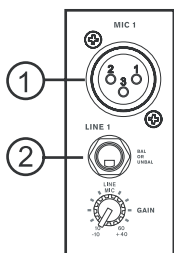
1. To ensure the correct audio level of the input channel is selected, each of the level input controls of the mixer should be turned counter-clockwise or down as far as they will go (which should be the $-\infty$ mark)
2. No input other than the one being set should have any device plugged in. This will ensure the pure signal is used when setting channels
3. Set the level control of the channels you are setting to the 0 dB mark.
4. Ensure the channel has a signal sent to it similar to the signal that will be sent when in common use. For example, if the channel is using a microphone then you should speak or sing at the same level the performer normally would during a performance if a guitar is plugged into the channel, then the guitar should be strummed as it normally would be (and so on). This ensures levels are completely accurate and avoids having to reset them later.
5. Set the gain so the level meter indicates the audio is around 0 dB.
6. This channel is now ready to be used; you can stop making the audio signal.
7. You can repeat the same process for other channels.

MAKING CONNECTIONS

Inputs and Outputs

1. XLR microphone Jacks

These jacks accept typical 3-pin XLR inputs for balanced and unbalanced signals. They can be used in conjunction with microphones – such as professional condenser, dynamic or ribbon microphones – with standard XLR male connectors, and feature low-noise preamplifiers, serving for crystal clear sound replication. Each of the AM series mixers features one standard XLR microphone inputs for your convenience.



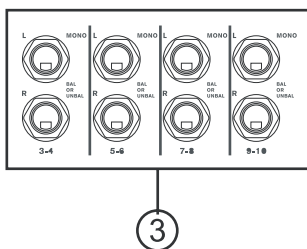
NB. When these inputs are used with condenser microphones, the Phantom Power should be activated. However, when the Phantom Power button is engaged, single ended (unbalanced) microphones and instruments should not be used on the mic inputs.

2. Line Inputs

This input accepts typical 1/4" TRS or TS inputs, for balanced or unbalanced signals. There are various numbers of these inputs depending which mixer you are using. They can be used in conjunction with various line level devices such as keyboards, drum machines, electric guitars, and a variety of other electric instruments.

3. Stereo Channels

Each of the AM series mixers feature a few stereo channels thrown in for maximum flexibility. Each of these stereo channels features two 1/4" TRS phone jacks, for the addition of various line level input devices, such as electric keyboards, guitars and external signal processors or mixers. These stereo channels can also be used as mono channels, where the signal from any 1/4" phone jack plugged into the left stereo input will cause the signal to be duplicated to the right input also. This does not work in reverse.

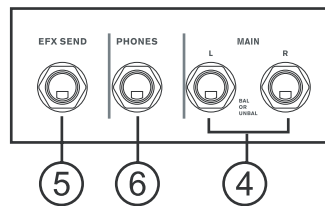


4. Main L and R Outputs

These two ports will output the final balanced line level signal send from the main mix. The primary purpose of these jacks is to send the main output to external devices, which may include power amplifiers (and, in-turn, a pair of speakers), other mixers, as well as a wide range of other possible devices (equalizers, crossovers, etcetera).

5. AUX / EFX Send

These 1/4" TS outputs may be used to connect to an external digital effect processor, or even an amplifier and speakers (depending on your desired settings) to the mixer.



6. Phones

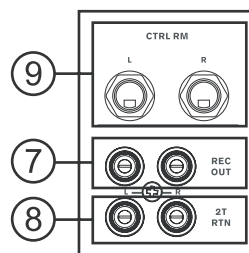
This stereo output port is suited for use with headphones, allowing monitoring of the mix. The audio level of this output is controlled using the Phones/Control Room control.

7. 2T Record / Record Out

These outputs will accommodate RCA cables, able to be fed to a variety of recording devices such as MP3 recorders and laptop computers.

8. 2T Return

These RCA inputs are used to connect the mixer with external devices, such as tape and CD players, or even laptop computers. The received signal will be fed to either the Main L/R or Phone mixes.



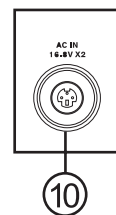
9. Control Room Outputs

These two 1/4" phone jack outputs send the signal from the Control Room / Phones feed, the level of which is determined by the control on the face of the mixer. This output has extensive use. For example, it can be used to feed active monitors for the monitoring of audio signals within a sound booth. Alternatively it can be used as an additional auxiliary.

Rear Panel

10. Power Connector

This port is for the addition of the external power supply, allowing power to be supplied to the mixer. Please use the power supply that is included with the mixer only.



CONTROLS AND SETTINGS

Channel Controls

11. Mic/Line Gain Control

This controls the sensitivity of the input signal of the line/microphone inputs. The gain should be adjusted to a level that allows the maximum use of the audio, while still maintaining the quality of the feed. This can be accomplished by adjusting it to a level that will allow the peak indicator occasionally illuminate. The AM240 and AM240D feature a gain control on both channels 1 and 2, directly below the line inputs.

12. High Frequency Control

This control is used to give a shelving boost or cut of ± 15 dB to high frequency (12 kHz) sounds. This will adjust the amount of treble included in the audio of the channel, adding strength and crispness to sounds such as guitars, cymbals and synthesizers.

13. Middle Frequency Control

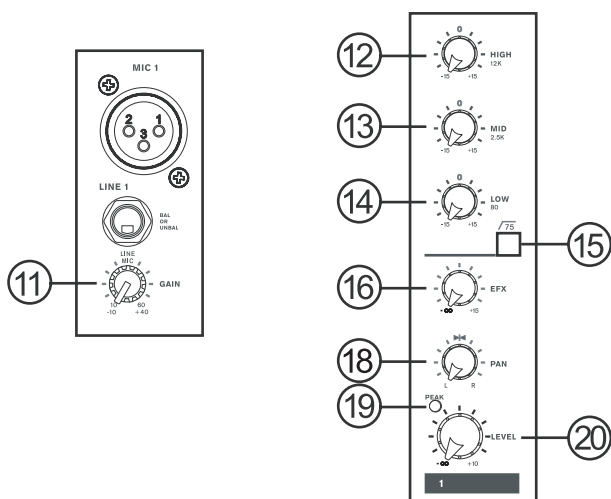
This control is used to provide a peaking style of boost and cut to the level of the middle frequency (2.5 kHz) sounds at a range of ± 15 dB. Changing middle frequencies of an audio feed can be rather difficult when used in a professional audio mix, as it is usually more desirable to cut middle frequency sounds rather than boost them – soothing overly harsh vocal and instrument sounds in the audio.

14. Low Frequency Control

This control is used to give a shelving boost or cut of ± 15 dB to low frequency (80 Hz) sounds. This will adjust the amount of bass included in the audio of the channel, and bring more warmth and punch to drums and bass guitars.

15. High-Pass Filter (75 Hz)

This button will activate a high-pass filter that reduces all frequencies below 75Hz at 18 dB per octave, helping to remove any unwanted ground noise or stage rumble.

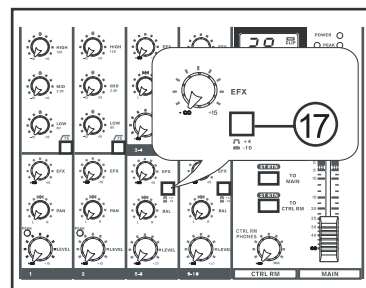


16. EFX Control

These controls determine the level of the current channel that is sent to the EFX send output. This signal can be used in conjunction with external processors or for any other auxiliary application. The signal can then be returned from processors via the AUX return inputs. This control is post-fader, therefore any channels made to the corresponding channel fader are also applied to the EFX signal.

17. +4 / -10 Switch

This switch is used to adjust the input sensitivity of the corresponding channels, which will adapt the AM mixer to external devices which may use different operating levels. If the input source is -10 dBV (consumer audio level) it is best to engage the switch, allowing the signal to be heard. The +4 dBu mode is suitable for professional audio signals. However if you are unsure of the source's operating level, we suggest leaving the switch disengaged until you test the source's signal. You can then engage if necessary (if the level of the input signal is obviously too low).



18. Pan / Balance Controls

This alternates the degree or level of audio that the left and right side of the main mix should receive. On mono channels, this control will adjust the level that the left and right should receive (pan). On a stereo channel, adjusting the BAL control will attenuate the left or right audio signals accordingly (balance).

19. Peak Indicator

This LED indicator will illuminate when the device hits high peaks, 6 dB before overload occurs. It is best to adjust the gain of the channel so that the PEAK indicator lights up on intervals. This will ensure a greater dynamic range of audio. The peak indicator can be found on both channels 1 and 2 of the AM240 and AM240D mixers.

20. Level Control

This control will alter the signal level that is sent from the corresponding channel to the main mix.

Digital Effect Section (AM240D only)

21. Program Control

This rotary control allows users to select the digital effect program of your choice. There are 16 points on the rotary control, each of which corresponds with an effect type. See the digital effect table for more information.

22. Parameter Control

Turning this control will adjust the one main parameter of the selected effect. Each effect's parameter can be found on the digital effect table.

23. EFX "to Main" Control

This will adjust the level of the Digital Effect signal that will be sent to the Main stereo mix.

24. EFX "to Ctrl" Button

This button is pushed to allow the signal from the Digital Effect processor to be sent to the Control Room outputs for monitoring purposes.

Master Section

25. AUX Send Control (AM240 only)

This control adjust the final level of the AUX mix (as taken from AUX controls on each channel strip), the audio of which is sent to the AUX send output.

26. 2T Return Controls

Push either one of the buttons in the 2T return control section selects the destination of the 2T return signal. The "to Main" sends the signal to the Main stereo mix, whereas "to Ctrl Rm" button sends the signal to the Control Room/Phones mix.

27. Phantom Power Switch

When this switch is in the on position it activates +48V of phantom power for microphone inputs, allowing condenser microphones to be used on these channels. On the AM240D, the phantom power switch is located on the rear of the mixer – beside the power switch.

NB. Phantom Power should be used in conjunction with condenser microphones only. Do not engage Phantom Power if a condenser microphone is not being used to avoid causing damage to the mixer's circuitry.

28. Control Room / Phones Control

This control is used to adjust the audio level of the phones feed, to be sent to the Phones output. This can then be used in conjunction with headphones or, if required, as an auxiliary output. This control also adjusts the level sent to the Control Room output for use in monitoring, as a side fill, or for the addition of other external devices.

29. Main L-R Control

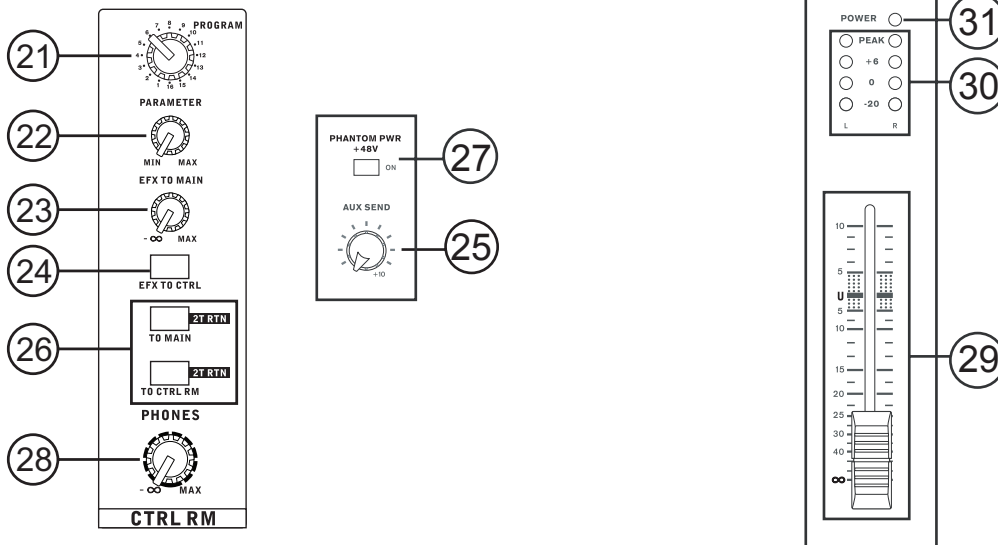
This control is final level control for the main left and right audio feed, sent to the Main L and R output.

30. Level Meter

The AM series' level meters give an accurate indication of when audio levels of the MAIN L/R output reach certain levels. It is suggested for the maximum use of audio to set the various levels controls so that the uppermost LED flashes only occasionally (and perhaps a pinch below that). The AM240 and AM240D both feature dual 4-segment level meters.

31. Power Indicator

The power indicator will light up when the power of the mixer is on.



DIGITAL EFFECT TABLE

Program Number	Program Name	Parameter	Parameter Range
1	Small Hall	Reverb Time (S)	0.3 to 1.1
2	Mid Room	Reverb Time (S)	0.1 to 0.45
3	Plate	Reverb Time (S)	0.9 to 1.45
4	Cathedral	Reverb Time (S)	1.1 to 3.8
5	Mid Hall	Reverb Time (S)	0.5 to 1.66
6	Jazz Lounge	Reverb Time (S)	0.15 to 0.9
7	Ping Pong Delay	Delay Average (S)	0.08 to 0.55
8	Short Delay	Delay Average (S)	0.05 to 0.4
9	Vocal Plate	Reverb Time (S)	0.2 to 2.2
10	Concert Hall	Reverb Time (S)	0.3 to 2.45
11	Stage	Reverb Time (S)	0.6 to 1.6
12	Doubler	Feedback Ratio	20% to 90%
13	Echo	Delay Average (S)	0.12 to 0.55
14	Chorus	LFO	0.66 to 9.6
15	Chorus + Rev	LFO Reverb Time (S)	0.8 to 8.8 0.4 to 0.8
16	Spring	LFO	0.16 to 1.33

SPECIFICATIONS

	AM 240	AM 240D
Inputs		
Total Channels	6	6
Balanced Mono Mic / Line Channel	2	2
Balanced Stereo Line Channel	4	4
Aux Return	N/A	N/A
2T Input	Stereo RCA	Stereo RCA
Outputs		
Main L/R Stereo	2x 1/4" TRS, Bal.	2x 1/4" TRS, Bal.
Rec Out	Stereo RCA	Stereo RCA
CTRL RM L/R	2 x 1/4" TS	2 x 1/4" TS
Phones	1	1
Channel Strips	6	6
Efx Send	1	1
Pan/Balance Control	Yes	Yes
Volume Controls	Rotary	Rotary
Inserts	N/A	N/A
Master Section		
Phones Level Control	Yes	Yes
Main L/R Level Control	60 mm fader	60 mm fader
Metering		
Number of Channels	2	2
Segments	4	4
Phantom Power Supply	+48V DC	+48V DC
Frequency Response (Mic input to any output)		
20Hz ~ 60KHz	+0/-1 dB	+0/-1 dB
20Hz ~ 100KHz	+0/-3 dB	+0/-3 dB
Crosstalk (1KHz @ 0dBu, 20Hz to 20KHz bandwidth, channel in to main L/R outputs)		
Channel fader down, other channels at unity	<-90 dB	<-90 dB
Noise (20Hz~20KHz; measured at main output, Channels 1-4 unit gain; EQ flat; all channels on main mix; channels 1/3 as far left as possible, channels 2/4 as far right as possible. Reference=+6dBu)		
Master @ unity, channel fader down	-86.5 dBu	-86.5 dBu
Master @ unity, channel fader @ unity	-84 dBu	-84 dBu
S/N ratio, ref to +4	>90 dB	>90 dB
Microphone Preamp E.I.N. (150 ohms terminated, max gain)	<-129.5 dBm	<-129.5 dBm

THD (Any output, 1KHz @ +14dBu, 20Hz to 20KHz, channel inputs)	<0.005%	<0.005%
CMRR (1 KHz @ -60dBu, Gain at maximum)	80 dB	80 dB
Maximum Level		
Mic Preamp Input	+10 dBu	+10 dBu
All Other Input	+22 dBu	+22 dBu
Balanced Output	+28 dBu	+28 dBu
Impedance		
Mic Preamp Input	2 K ohms	2 K ohms
All Other Input (except insert)	10 K ohms	10 K ohms
RCA 2T Output	1.1 K ohms	1.1 K ohms
Equalization	3-band, +/-15 dB	3-band, +/-15 dB
Low EQ	80 Hz	80 Hz
Mid EQ	2.5 KHz	2.5 KHz
Hi EQ	12 KHz	12 KHz
Low Cut Filter	75Hz (-18 dB/oct)	75Hz (-18 dB/oct)
32/40 bit Digital Effect Processor	N/A	16 effects
Power Requirement (external power supply, depends on region)	100VAC, 120VAC, 220 ~ 240VAC, 50/60Hz	100VAC, 120VAC, 220 ~ 240VAC, 50/60Hz
Weight	1.5 kg (3.3 lbs)	1.5 kg (3.3 lbs)
Dimensions (WxHxD)	190 x 56 x 233 mm (7.48" x 2.2" x 9.17")	190 x 56 x 233 mm (7.48" x 2.2" x 9.17")

SERVICE AND REPAIR

For replacement parts, service and repairs please contact the Phonic distributor in your country. Phonic does not release service manuals to consumers, and advice users to not attempt any self repairs, as doing so voids all warranties. You can locate a dealer near you at <http://www.phonic.com/where/>.

WARRANTY INFORMATION

Phonic stands behind every product we make with a no-hassles warranty. Warranty coverage may be extended, depending on your region. Phonic Corporation warrants this product for a minimum of one year from the original date of purchase against defects in material and workmanship under use as instructed by the user's manual. Phonic, at its option, shall repair or replace the defective unit covered by this warranty. Please retain the dated sales receipt as evidence of the date of purchase. You will need it for any warranty service. No returns or repairs will be accepted without a proper RMA number (return merchandise authorization). In order to keep this warranty in effect, the product must have been handled and used as prescribed in the instructions accompanying this warranty. Any tampering of the product or attempts of self repair voids all warranty. This warranty does not cover any damage due to accident, misuse, abuse, or negligence. This warranty is valid only if the product was purchased new from an authorized Phonic dealer/distributor. For complete warranty policy information, please visit <http://www.phonic.com/warranty/>.

CUSTOMER SERVICE AND TECHNICAL SUPPORT

We encourage you to visit our online help at <http://www.phonic.com/support/>. There you can find answers to frequently asked questions, tech tips, driver downloads, returns instruction and other helpful information. We make every effort to answer your questions within one business day.

support@phonic.com
<http://www.phonic.com>

PHONIC

Manual del Usuario

CONTENIDO

INTRODUCCIÓN.....	1
INICIANDO.....	1
CONFIGURACIÓN DE CANAL.....	1
HACIENDO CONEXIONES.....	2
CONTROLES Y SETEOS.....	3
TABLA DE EFECTO DIGITAL.....	5
ESPECIFICACIONES.....	6

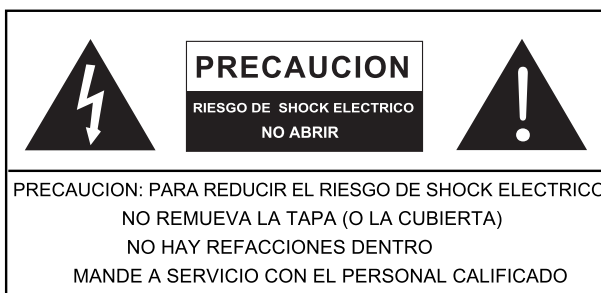
APÉNDICE

APLICACIONES.....	1
DIMENSIONES.....	3
DIAGRAMAS DE BLOQUE.....	4

Phonic se reserva el derecho de mejorar o alterar cualquier información provista dentro de este documento sin previo aviso.

INSTRUCCIONES DE SEGURIDAD

1. Lea estas instrucciones antes de operar este aparato.
2. Mantenga este instructivo para futuras referencias.
3. Preste atención a todas las advertencias para asegurar una operación adecuada.
4. Siga todas las instrucciones indicadas en este instructivo.
5. No utilice este aparato cerca del agua o en lugares donde se puedan dar condensaciones.
6. Limpie solamente con lienzos secos. No utilice aerosol ni limpiadores líquidos. Desconecte este aparato antes de limpiarlo.
7. No bloquee ninguna de las aberturas de ventilación. Instale según las instrucciones del fabricante.
8. No lo instale cerca de cualquier fuente de calor como radiadores, registros de calor, estufas, u otro aparato (incluyendo amplificadores) que produzcan calor.
9. No deshaga la opción de seguridad del plug polarizado o aterrizado. Una clavija polarizada tiene dos cuchillas una más grande que la otra. Una clavija del tipo polarizado tiene dos cuchillas y un diente. La cuchilla más ancha o el tercer diente esta incluido para su seguridad. Si esta clavija no se acomoda en su toma corriente, consulte un electricista para que cambie el toma corriente obsoleto.
10. Proteja el cable de electricidad de ser pisado o picado particularmente en la clavija, los receptáculos y en el punto donde estos salgan del aparato. No pise los cables de alimentación de AC.
11. Utilice solamente accesorios o demás cosas especificadas por el fabricante.
12. Transporte solamente con un carro, pedestal, tripie abrazaderas o mesas especificadas por el fabricante, o incluidas con el aparato. Si se utiliza un carro, tenga precaución cuando mueva el carro con el aparato para evitar lesiones de cualquier tipo.
13. Desconecte este aparato durante tormentas eléctricas o cuando no se ocupe en periodos largos de tiempo.
14. Refiera todo el servicio al personal calificado. Se requiere de servicio cuando el aparato a sido dañado en cualquier manera, por ejemplo cuando el cable de alimentación de voltaje o la clavija han sido dañados, si se ha derramado liquido o si algun objeto a caido en el aparato, o si el aparato ha sido expuesto a la lluvia o a la humedad, no funcione normalmente o si ha sufrido una caída.



El simbolo con una flecha encerrado en un triangulo equilátero, es para alertar al usuario de la presencia de "voltaje peligroso" no aislado dentro del chasis del producto que pudiera ser de magnitud suficiente para constituir un riesgo de shock eléctrico a las personas.



El punto de exclamación dentro de un triangulo equilátero es para alertar al usuario de la presencia de instrucciones importantes de operación y mantenimiento (servicio) en la literatura que acompaña el equipo.

ADVERTENCIA: Para reducir el riesgo de shock o fuego eléctrico no exponga este aparato a la lluvia o a la humedad.

PRECAUCION: No use controles, ajustes, no realice procedimientos diferentes a los especificados, esto puede resultar en una peligrosa exposición a la radiación.



PHONIC

INTRODUCCION

Gracias por tu elección de uno de los muchos productos de Phonic. La serie de Mixers AM -diseñada por los talentosos ingenieros que han creado en el pasado mixers fantásticas y de gran estilo- demuestran una eficiencia similar que otros productos de Phonic han demostrado; con unas cuantas mejores por supuesto. La serie AM tiene rangos de ganancia completos, sorprendentes niveles bajos de distorsión y amplios rangos dinámicos, esto solo para demostrar la dominación que tendrán estas pequeñas maquinas en el mundo del audio.

Nosotros sabemos que estas impaciente por empezar -esperando a sacar la mixer y conectar todo que seguramente es tu única prioridad en estos momentos- pero antes de hacerlo, te pedimos darle un vistazo a este manual. Dentro encontraras hechos importantes con imágenes de la configuración, uso y aplicaciones de tu nueva mixer. Si resultas ser de esas personas que te niegas totalmente a leer los manuales, entonces solo te pediremos que leas la sección de Configuración Rápida. Después de que le des un vistazo a todo el manual (te felicitamos si tu lees todo el manual), por favor guárdalo en un lugar donde puedas encontrarlo fácilmente, esto por que puede suceder que no recuerdes algo de la primera vez que leíste este documento.

CARACTERISTICAS

- Calidad de Audiofilo y ruido ultra bajo
- Dos entradas balanceadas de Micro/Línea con EQ de 3 bandas y Filtro Pasa Bajas
- Cuatro entradas estéreo con selector +4/-10
- Envío AUX/EFX post fader en cada entrada
- Fuente Fantasma Global a +48
- Salidas de Control Room (CTRL RM) y salidas de Audífonos
- Indicadores de Pico en cada canal mono de entrada
- Conveniente entrada/Salida RCA estéreo para reproductores MD o MP3
- Cue de Envío de EFX para mejor monitoreo de canal individual
- Salida balanceada principal con control de fader de 60mm

AM240D también incluye:

- Procesador de efectos estéreo digital de 32/40-bit con 16 programas

INICIANDO

1. Asegúrese de que la mixer este completamente apagada. Para asegurarse de eso, el cable de AC no debe de estar conectado a la unidad.
2. Todos los faders y todos los controles deben de estar en el nivel más bajo y todos los canales apagados, para asegurar que ningún audio sea enviado a las salidas cuando se prenda el equipo. Todos los niveles pueden ser modificados a niveles aceptables después de que se encienda el equipo utilizando las instrucciones de configuración de canal
3. Conecta todo el equipo necesario en las entradas de la mixer como sea necesario. Esto puede incluir amplificadores y altavoces, monitores, procesadores de señal y/o dispositivos de grabación.
4. Conecta el cable de AC suministrado al conector al reverso del dispositivo, asegurando que el voltaje local es idéntico al requerido por el dispositivo.
5. Activa el interruptor de energía y siga las instrucciones de configuración de canal para obtener más de tu equipo.

CONFIGURACION DE CANAL

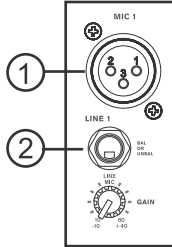
1. Para asegurar que se seleccione el nivel correcto de entrada del canal, cada uno de los controles de nivel de entrada de la Mixer deberá ser girado al contrario de las manecillas del reloj, o hacia abajo lo más que le permita ir. No deberá haber ningún equipo conectado más que el que será configurado. Esto asegurara que la señal pura será utilizada cuando se configuren los canales
3. Ponga los controles de nivel del canal que estes configurando a la marca de 0dB.
4. Asegúrate de que el canal tiene un envío de señal igual al que se utilizara en modo común. Por ejemplo, si el canal esta utilizando un micrófono, entonces deberás hablar o cantar al mismo nivel que el cantante normalmente lo haria durante una presentación; si una guitarra es conectada dentro del canal, entonces la guitarra deberá ser tocada al nivel que generalmente deberá ser tocada (y así). Esto asegurara que los niveles están completamente precisos y evitara tener que reiniciarlos después.
5. Ajusta la ganancia de tal manera que el medidor de nivel indique un nivel alrededor de 0dB.
6. Este canal esta listo para usarse; ya puedes dejar de hacer la prueba de audio.
7. Puedes repetir el mismo proceso para los demás canales. O no, esto depende totalmente de ti.

HACIENDO CONEXIONES

Entradas y Salidas

1. Jacks XLR de Micrófono

Estos jacks aceptan entradas típicas XLR a 3 pins para señales balanceadas y desbalanceadas. Pueden ser utilizadas con micrófonos- profesionales de condensador, dinámicos o ribbon- con conectores estándar XLR machos y, tienen preamplificadores de bajo ruido, que sirven para reproducción cristalina del audio. Cada una de las AM tienen dos entradas estándar XLR para entrada de micrófono.



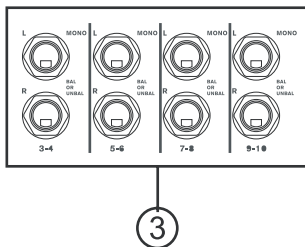
NB. Cuando estas entradas se utilizan con micrófonos de condensador, deberá activarse la fuente fantasma. Sin embargo, cuando la fuente fantasma esta activada, no deberá de conectarse micrófonos desbalanceados y los instrumentos no deberán ser conectados a las entradas de micrófono.

2. Entradas de Línea

Esta entrada acepta entradas típicas 1/4" TRS balanceadas o TS esbalanceadas, para señales correspondientes. Pueden utilizarse con un amplio rango de equipos de nivel de señal como teclados, drum machines, guitarras eléctricas y una gran variedad de instrumentos electrónicos.

3. Canales Estéreo

Cada una de las mixers AM tiene algunos cuantos canales balanceados estéreo, para máxima flexibilidad. Cada uno de estos canales estéreo consisten de dos jacks phono de 1/4", para agregar varios equipos con nivel de señal como teclados, guitarras y procesadores externos de señal o para mixers. Los canales estéreo también pueden ser utilizados como canales mono, donde la señal de cualquier plug 1/4" sea conectada a la entrada izquierda estéreo, esto causara que la señal sea duplicada al canal derecho debido al milagro de la normalización. Esto no funciona en reversa, sin embargo.



4. Salidas Principales L y R

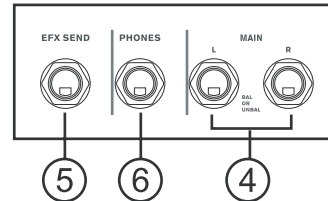
Estos dos puertos XLR entregaran la salida final estéreo de nivel de línea, enviada del bus de mezcla principal. El propósito primario de este jack es el de enviar la salida principal a dispositivos externos que pueden ser amplificadores de potencia (un par de monitores), otras mixers, así como a un amplio rango de otros equipos como procesadores de señal (Ecuilibradores, crossovers, etc.)

5. Regresos AUX Estéreo

Estas entradas 1/4" TS pueden ser utilizadas para conectar a un procesador digital de señal externo, o para conectar a un amplificador y altavoces (dependiendo de la configuración deseada), a la mixer.

6. Audífonos

Este puerto de salida estéreo esta diseñada para utilizarse con audífonos, permitiendo monitorear la mezcla. El nivel de audio de esta salida es controlado utilizando el control de nivel Phones / Control Room.



7. Salida de Grabación / 2T

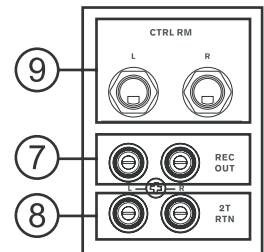
Estas salidas aceptan cables RCA, capaces de alimentar una gran variedad de dispositivos de grabación, como reproductores MD y hasta audio de cualquier computadora.

8. Regreso 2T

Estas entradas RCA son para conectar la mixer con dispositivos externos, como reproductores de CD o de cinta, recibiendo la señal desde otro origen y enviándolo directamente ya sea al bus de mezcla principal L-R y/o al bus de audífonos (Headphones).

9. Salidas de Control Room

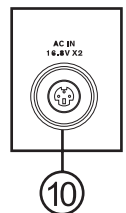
Estos dos jacks 1/4" de salida, entregan la señal que es alterada por el control de nivel de Control Room / Phones en la cara frontal de la mixer. Esta salida tiene un uso extensivo, así como también puede ser utilizada para alimentar la señal desde la mixer a un monitor activo, para el monitoreo o para la señal de audio de un stand, esto entre muchas otras posibilidades.



Panel Trasero

10. Conector de Voltaje

Este puerto es para agregar un cable de corriente, permitiéndole a la mixer ser provista de voltage (de aquí su nombre). Por favor utilice únicamente el cable de AC incluido con esta unidad.



CONTROLES Y AJUSTES

11. Control de Ganancia de Micro / Línea

Esto controla la sensibilidad de la señal de entrada de Línea/ Micrófono. La ganancia deberá ajustarse a un nivel que permita el uso máximo del audio, mientras que mantenga la calidad de la alimentación. Esto puede lograrse al ajustarlo a un nivel que permita al indicador de pico iluminarse ocasionalmente. La AM 240 y 240D tienen un control de ganancia sencillo para el canal 1 y 2, localizado directamente debajo de las entradas de línea.

12. Control de Frecuencias Agudas

Este control se utiliza para dar un realce tipo Shelving o para recortar ± 15 dB los sonidos (12 kHz) de altas frecuencias. Esto ajustara la cantidad de agudos incluidos en el audio del canal, agregando fortaleza y sonido rispido a las guitarras, metales y sintetizadores.

13. Control de Frecuencias Medias

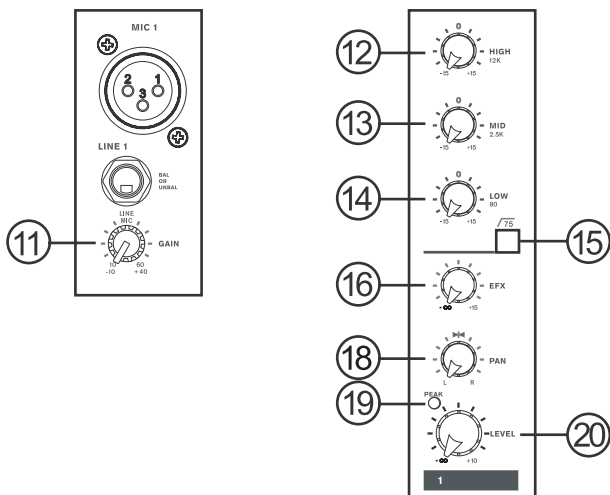
Este control se utiliza para proveer de un estilo pico de realce y recorte al nivel de frecuencias medias (2.5kHz) de sonido en un rango de ± 15 . Cambiar las frecuencias medias de la alimentación del audio puede ser un tanto difícil cuando se utiliza en una mixer de audio profesional, mientras que es deseable cortar los sonidos de frecuencias medias más que realzarlas, por que harían un sonido estridente en las vocales y en el audio.

14. Control de Frecuencias Graves

Este control se utiliza para dar un realce tipo Shelving o un recorte de ± 15 dB a los sonidos (80Hz) de frecuencias bajas. Esto ajustara la cantidad de bajos incluidos en el audio del canal y ofrecerá más calidez y punch a las baterías y a los bajos.

15. Filtro Pasa Altas (75Hz)

Este botón activara un filtro pasa altas que redujera todas las frecuencias por debajo de los 75Hz en 18dB por octava, ayudando a remover cualquier ruido de fondo indeseable.

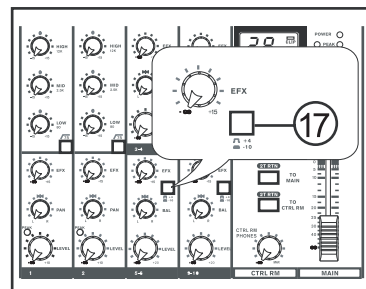


16. Control de EFX

Este control altera el nivel de señal que es enviado a la Salida de Envío de EFX (EFX SEND), la cual puede ser utilizada en conjunto con procesadores de señal externos (la señal que puede ser regresada a la mixer vía la entrada de regreso AUX, o a cualquier otro canal de entrada), o simplemente como una salida auxiliar para cualquier propósito. Este control es post fader, por lo tanto cualquier cambio hecho al fader del canal correspondiente también se aplicara a la señal de efectos.

17. Selector +4/-10

Este selector se utiliza para ajustar la sensibilidad de entrada del canal correspondiente, el cual adaptara la mixer para dispositivos externos que pudieran utilizar diferentes niveles de operación. Si la entrada es de -10dBV (audio de consumo), es mejor activar este selector, permitiendo así que la señal sea escuchada. La modalidad +4dBu es ideal para señales profesionales, las que son considerablemente más altas que las de nivel de audio de consumo. Sin embargo, si no estas seguro de cual es el nivel de operación, te sugerimos dejar el selector desactivado hasta que pruebes el nivel de la señal (si el nivel de la señal de estrada es obviamente muy baja).



18. Controles de Paneo / Balance

Esto altera el grado o nivel de audio izquierdo y derecho que la mezcla principal debería de recibir. En los canales Mono, el control de paneo (PAN) ajustara los niveles que deberán recibir los canales izquierdo y derecho que deberían de recibir, mientras que en un canal estéreo, ajustar el control de Balance (BAL) atenuara las señales de audio izquierdas o derechas respectivamente. Cada modelo tiene en cada tira de canal controles de paneo (PAN) o de balance (BAL).

19. Indicador de Pico

Este indicador LED se iluminara cuando el canal alcance picos de 6dB antes de que ocurra la sobrecarga. Es mejor ajustar el control de nivel de canal para que el indicador de picos se ilumine solo en intervalos menos regulares. Esto asegurara un mayor rango dinámico de audio. El indicador de pico esta incluido solo en ambos canales 1 y 2 en la AM240 y AM 240D.

20. Control de Nivel

Este control giratorio alterara el nivel de la señal que es enviado desde el canal correspondiente, a los buses de mezcla correspondientes.

Sección de Efectos Digitales (solo en AM 240D)

21. Control de programas

Este control giratorio permite al usuario seleccionar el programa de efectos digitales de su elección. Hay 16 puntos en el control rotativo cada uno de los cuales corresponde con un tipo de efecto. Consulte la tabla de efectos digitales para obtener más información.

22. Parámetro de control

Al girar este control ajustará el parámetro principal del efecto seleccionado. El parámetro de cada efecto se puede encontrar en la tabla de efectos digitales.

23. Control “EFX to Main”

Este control ajustará el nivel de la señal de Efecto Digital que será enviada al bus de mezcla principal izquierdo y derecho y que será aplicada a tu alimentación principal.

24. Botón “EFX to Ctrl”

Este botón se presionará para permitir que la señal enviada desde el procesador digital de efectos sea enviada a las salidas de Control Room para propósitos de monitoreo.

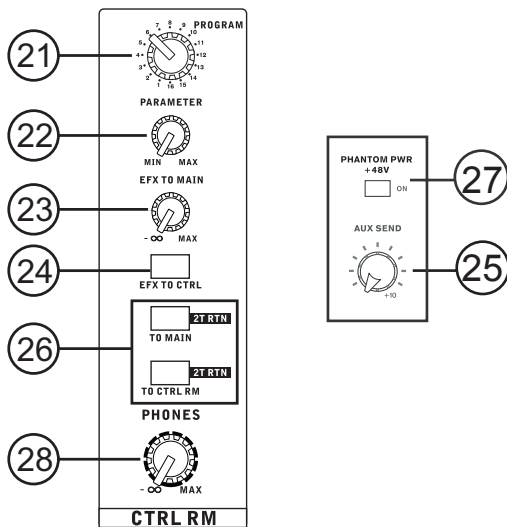
Sección Principal

25. Control de Envío AUX (solo en AM240)

Este control ajustará el nivel final del bus de mezcla EFX (tomado desde los controles AUX en cada tira de canal), el audio el cual será enviado a la salida de envío AUX.

26. Botones de regreso 2T

Estos dos botones permitirán a los usuarios decidir el destino de la señal recibida por las entradas RCA de regreso 2T. El botón “to Main” envía la señal a la mezcla principal, mientras que el botón “to Ctrl Rm” envía la señal al bus de mezcla de Control Room para monitoreo.



27. Interruptor de la Fuente Fantasma

Cuando el interruptor está en la posición ON, activa una fuente fantasma de +48V para todas las entradas de micrófono, permitiendo a los micrófonos de condensador ser utilizados en estos canales. En la AM240D, el interruptor de la fuente fantasma está en la parte trasera de la mixer, a un lado del interruptor de encendido y apagado.

NB La fuente fantasma deberá utilizarse en conjunto con micrófonos balanceados. No actives la fuente fantasma si no se utilizan micrófonos de condensador, esto para evitar causar daño a los circuitos de la mixer.

28. Control Control Room / Phones

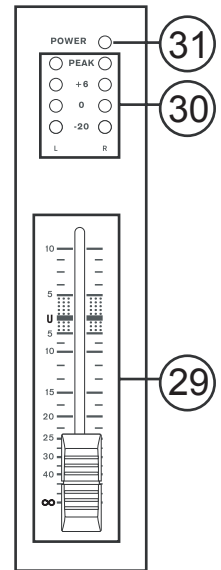
Este control es utilizado para ajustar el nivel del audio de la alimentación de audífonos, para ser enviada a la salida correspondiente, la cual puede ser utilizada junto con audífonos o como una salida auxiliar. Este control también ajusta el nivel enviado para la salida de Control Room para utilizarse en monitoreo, como un side fill, o para utilizarse en otros dispositivos.

29. Fader Principal L-R

Este es el control de nivel final para la alimentación de audio, enviada a la salida principal L-R.

30. Medidor de Nivel

Los medidores de nivel de la serie AM dan una indicación precisa de cuando los niveles de audio principales L-R alcanzan ciertos niveles. Se sugiere para uso máximo del audio de configurar los varios controles de nivel de tal manera que los LEDs de pico se activen ocasionalmente (y tal vez es mejor si los configuras de tal manera que el nivel se mantenga un poco por debajo de eso). Ambas AM240 y AM240D tienen un indicador de nivel de 4 segmentos.



31. Indicador de Encendido

Este indicador se iluminará cuando el voltaje de la unidad este activado; en caso de que no estés muy seguro de que esto esta sucediendo.

TABLA DE EFECTO DIGITAL

Numero de Programa	Nombre de Programa	Parámetro	Rango de Parámetro
1	Small Hall	Tiempo de Reverberación (S)	0,3 a 1,1
2	Mid Room	Tiempo de Reverberación (S)	0,1 a 0,45
3	Plate	Tiempo de Reverberación (S)	0,9 a 1,45
4	Cathedral	Tiempo de Reverberación (S)	1,1 a 3,8
5	Mid Hall	Tiempo de Reverberación (S)	0,5 a 1,66
6	Jazz Lounge	Tiempo de Reverberación (S)	0,15 a 0,9
7	Ping Pong Delay	Retraso medio (S)	0,08 a 0,55
8	Short Delay	Retraso medio (S)	0,05 a 0,4
9	Vocal Plate	Tiempo de Reverberación (S)	0,2 a 2,2
10	Concert Hall	Tiempo de Reverberación (S)	0,3 a 2,45
11	Stage	Tiempo de Reverberación (S)	0,6 a 1,6
12	Doubler	Proporción Feedback	de 20% asta 90%
13	Echo	Retraso medio (S)	0,12 a 0,55
14	Chorus	LFO	0,66 a 9,6
15	Chorus + Rev	LFO Tiempo de Reverberación	0,8 a 8,8 0,4 a 0,8
16	Spring	LFO	0,16 a 1,33

ESPECIFICACIONES

	AM240	AM240D
Entradas		
Total de Canales	6	6
Canal Balanceada Mono Mic / Línea	2	2
Balanced Stereo Line Channel	4	4
AUX Retorno	-	-
Entrada 2T	estéreo RCA	estéreo RCA
Salidas		
Principal L/R Estéreo	2x 1/4" TRS, Bal.	2x 1/4" TRS, Bal.
Rec Out	Estéreo RCA	Estéreo RCA
CTRL RM L/R	2 x 1/4" TS	2 x 1/4" TS
Phones	1	1
Banda de Canal	6	6
AUX Envío	1	1
Control Pan/Balanceado	Sí	Sí
Controles de Volumen	Giratorio	Giratorio
Inserciones	-	-
Sección Master		
Nivel de Controles Phones	Sí	Sí
Principal L/R Control de Nivel	60 mm deslizador	60 mm deslizador
Medios		
Número de Canales	2	2
Segmentos	4	4
Suministro Fuente Fantasma	+48V DC	+48V DC
Respuesta en Frecuencia (Entrada de Mic a cualquier salida)		
20Hz ~ 60KHz	+0/-1 dB	+0/-1 dB
20Hz ~ 100KHz	+0/-3 dB	+0/-3 dB
Crosstalk (1KHz @ 0dBu, 20Hz to 20KHz ancho de banda, canales in a principal L/R salidas)		
Todos los deslizadores de canal abajo, otros canales en la unidad	<-90 dB	<-90 dB
Noise (20Hz~20KHz; measured at main output, Channels 1-4 unit gain; EQ flat; all channels on main mix; channels 1/3 as far left as possible, channels 2/4 as far right as possible. Reference=+6dBu)		
Master@unidad, canales deslizadores abajo	-86.5 dBu	-86.5 dBu
Master@unidad, canales deslizadores abajo @ unidad	-84 dBu	-84 dBu
S/Nr relación, ref. a +4	>90 dB	>90 dB

Micrófono Preamp E.I.N. (150 ohms terminado, máxima ganancia)	<-129.5 dBm	<-129.5 dBm
THD (Any output, 1KHz @ +14dBu, 20Hz to 20KHz, channel inputs)	<0.005%	<0.005%
CMRR (1 KHz @ -60dBu, ganancia máxima)	80 dB	80 dB
Nivel Máximo		
Entrada de Mic Preamp	+10 dBu	+10 dBu
Todas las otras Entradas	+22 dBu	+22 dBu
Salidas Balanceadas	+28 dBu	+28 dBu
Impedancia		
Entrada Mic Preamp	2 K ohms	2 K ohms
Todas las otras Entradas (excepto inserciones)	10 K ohms	10 K ohms
Salida RCA 2T	1.1 K ohms	1.1 K ohms
Ecuilización		
	3-bandas, +/-15 dB	3-bandas, +/-15 dB
Bajo EQ	80 Hz	80 Hz
Medio EQ	2.5 KHz	2.5 KHz
Alto EQ	12 KHz	12 KHz
Filtro Pasa Bajas	75Hz (-18 dB/oct)	75Hz (-18 dB/oct)
Procesador Digital de Efectos a 32/40 Bits	-	16 efectos
Requisitos de Potencia (suministro de potencia externa, depende de región)	100VAC, 120VAC, 220 ~ 240VAC, 50/60Hz	100VAC, 120VAC, 220 ~ 240VAC, 50/60Hz
Peso	1.5 kg (3.3 lbs)	1.5 kg (3.3 lbs)
Dimensiones (AnxAIxP)	190 x 56 x 233 mm (7.48" x 2.2" x 9.17")	190 x 56 x 233 mm (7.48" x 2.2" x 9.17")

SERVICIO Y REPARACIÓN

Para refacciones de reemplazo y reparaciones, por favor póngase en contacto con nuestro distribuidor de Phonic en su país. Phonic no distribuye manuales de servicio directamente a los consumidores y, avisa a los usuarios que no intenten hacer cualquier reparación por sí mismo, haciendo ésto invalidará todas las garantías del equipo. Puede encontrar un distribuidor cerca de usted en <http://www.phonic.com/where/>.

INFORMACIÓN DE LA GARANTIA

Phonic respalda cada producto que hacemos con una garantía sin enredo. La cobertura de garantía podría ser ampliada dependiendo de su región. Phonic Corporation garantiza este producto por un mínimo de un año desde la fecha original de su compra, contra defectos en materiales y mano de obra bajo el uso que se instruya en el manual del usuario. Phonic, a su propia opinión, reparará o cambiará la unidad defectuosa que se encuentra dentro de esta garantía. Por favor, guarde los recibos de venta con la fecha de compra como evidencia de la fecha de compra. Va a necesitar este comprobante para cualquier servicio de garantía. No se aceptarán reparaciones o devoluciones sin un número RMA apropiado (return merchandise authorization). En orden de tener esta garantía válida, el producto deberá de haber sido manejado y utilizado como se describe en las instrucciones que acompañan esta garantía. Cualquier atentado hacia el producto o cualquier intento de repararlo por usted mismo, cancelará completamente esta garantía. Esta garantía no cubre daños ocasionados por accidentes, mal uso, abuso o negligencia. Esta garantía es válida solamente si el producto fue comprado nuevo de un representante/distribuidor autorizado de Phonic. Para la información completa acerca de la política de garantía, por favor visite <http://www.phonic.com/warranty/>.

SERVICIO AL CLIENTE Y SOPORTE TÉCNICO

Le invitamos a que visite nuestro sistema de ayuda en línea en www.phonic.com/support/. Ahí podrá encontrar respuestas a las preguntas más frecuentes, consejos técnicos, descarga de drivers, instrucciones de devolución de equipos y más información de mucho interés. Nosotros haremos todo el esfuerzo para contestar sus preguntas lo antes posible.

support@phonic.com
<http://www.phonic.com>

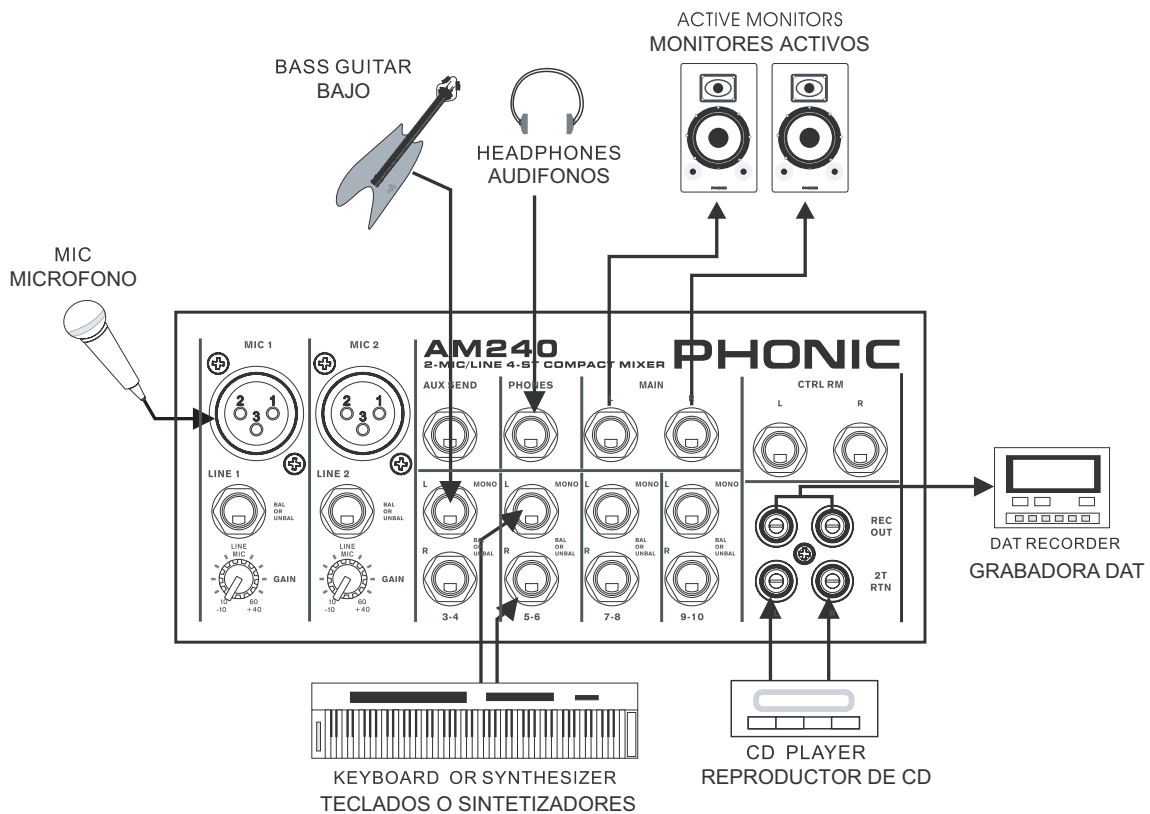
PHONIC

APPLICATIONS

On the following few pages you will find a wide range of possible uses for the AM series of mixers. Of course these are far from the only applications that can be attributed to the mixers' use, however they should give you an idea of the possible uses that the various inputs and outputs have. The right combination of microphones, guitars, drum machines, keyboards, as well as recording devices, signal processors, amplifiers and speakers, can make for the perfect live performance, home-studio recording session or even a basic public address - just to name a few possibilities.

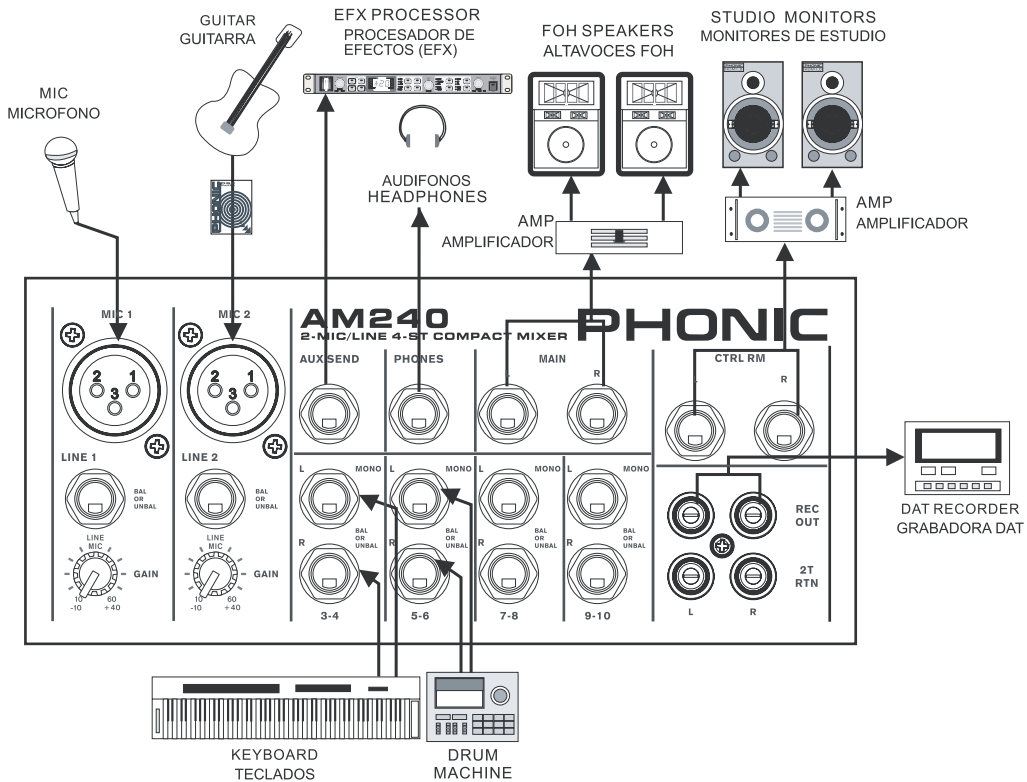
APLICACIONES

En las siguientes páginas usted encontrará un amplio rango de posibles usos para las mezcladoras de la serie AM. Por supuesto que estos están lejos de las únicas aplicaciones que se pueden atribuir al uso de las mezcladoras; sin embargo, ellas deberán de darle una idea de los posibles usos de las varias entradas y salidas que tienen. La combinación correcta de micrófonos, guitarras, drum machines, teclados así como dispositivos de grabación, procesadores de señal, amplificadores y altavoces, pueden hacer una perfecta presentación en vivo, grabaciones en estudios o inclusive en lugares públicos, solo por nombrar algunas posibilidades.



Live Sound Application
Aplicaciones Para Sonido en VIVO

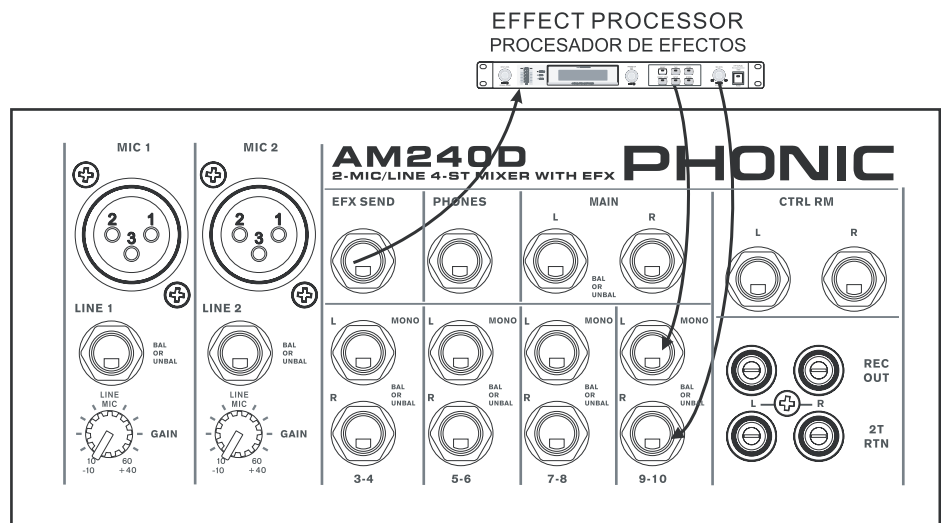
Appendix
Apéndice



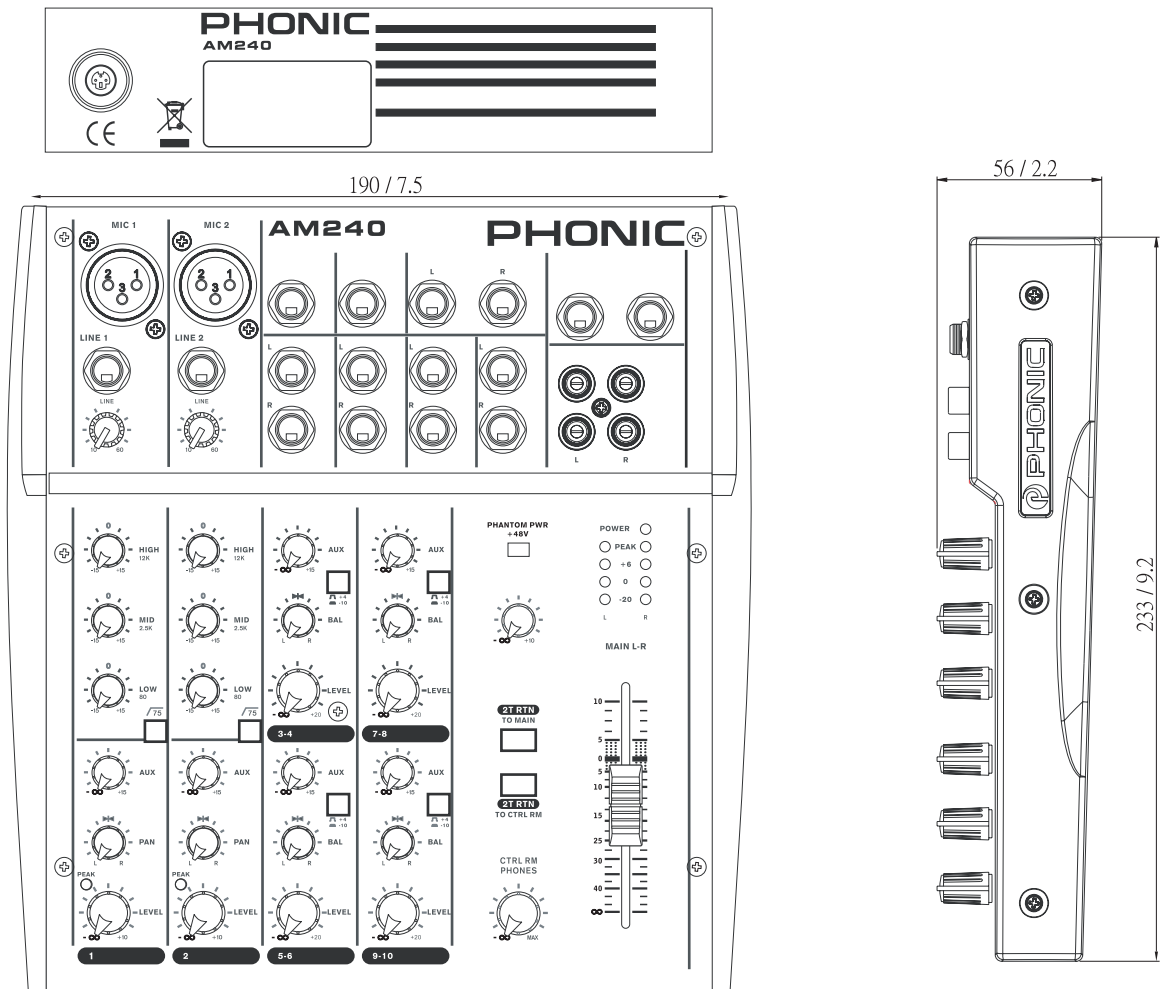
Using an External Signal Processor
Utilizando un procesador de señal externo

WARNING!
Mute the EFX knob
on channel 9-10
to avoid feedback

PRECAUCION !
Coloca la perilla de control de nivel de EFX
a su nivel más bajo posible en los canales
9-10 para evitar retroalimentación



DIMENSIONS DIMENSIONES

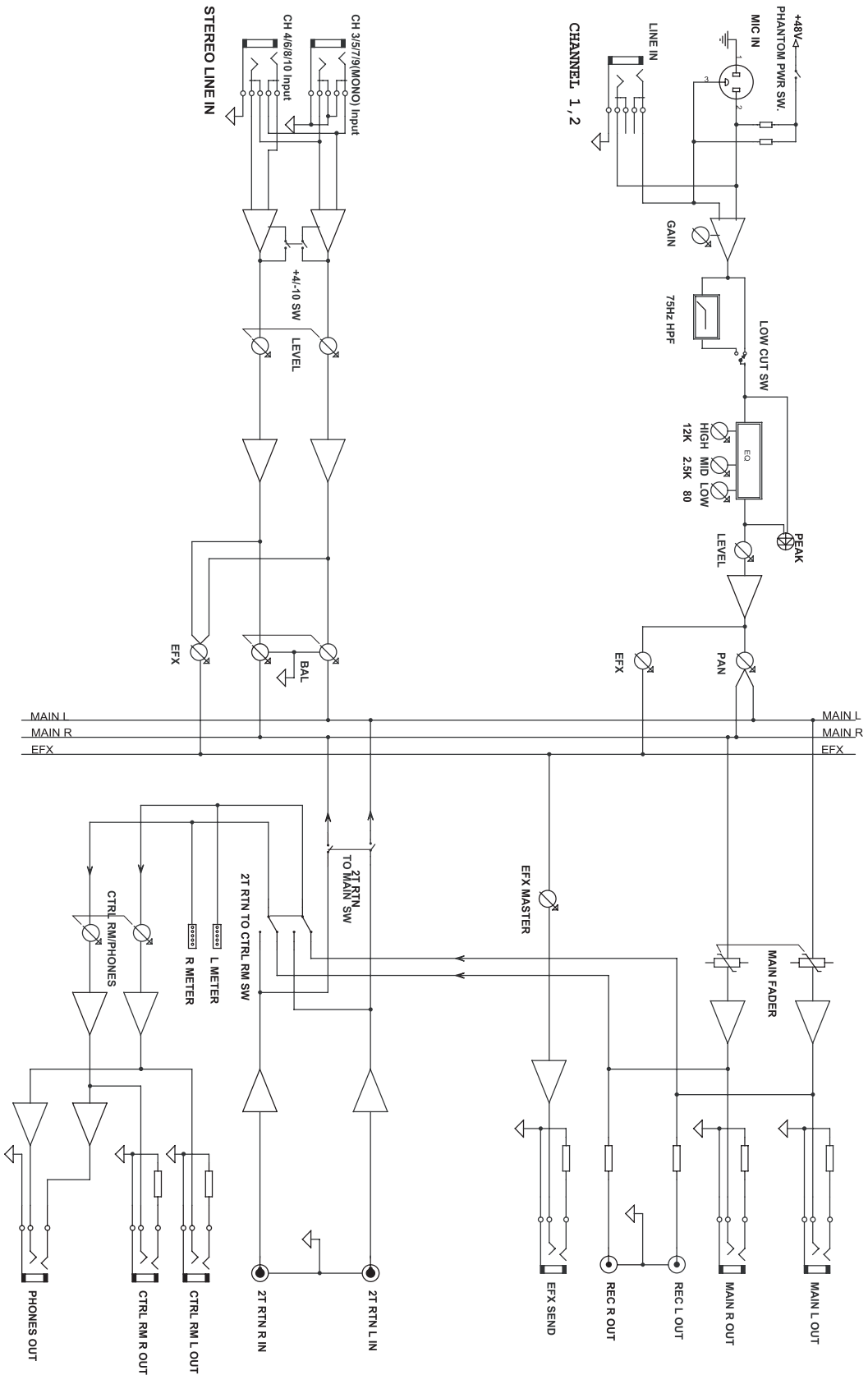


Measurements are shown in mm/inches
 Todas las medidas están mostradas en mm/pulgadas.

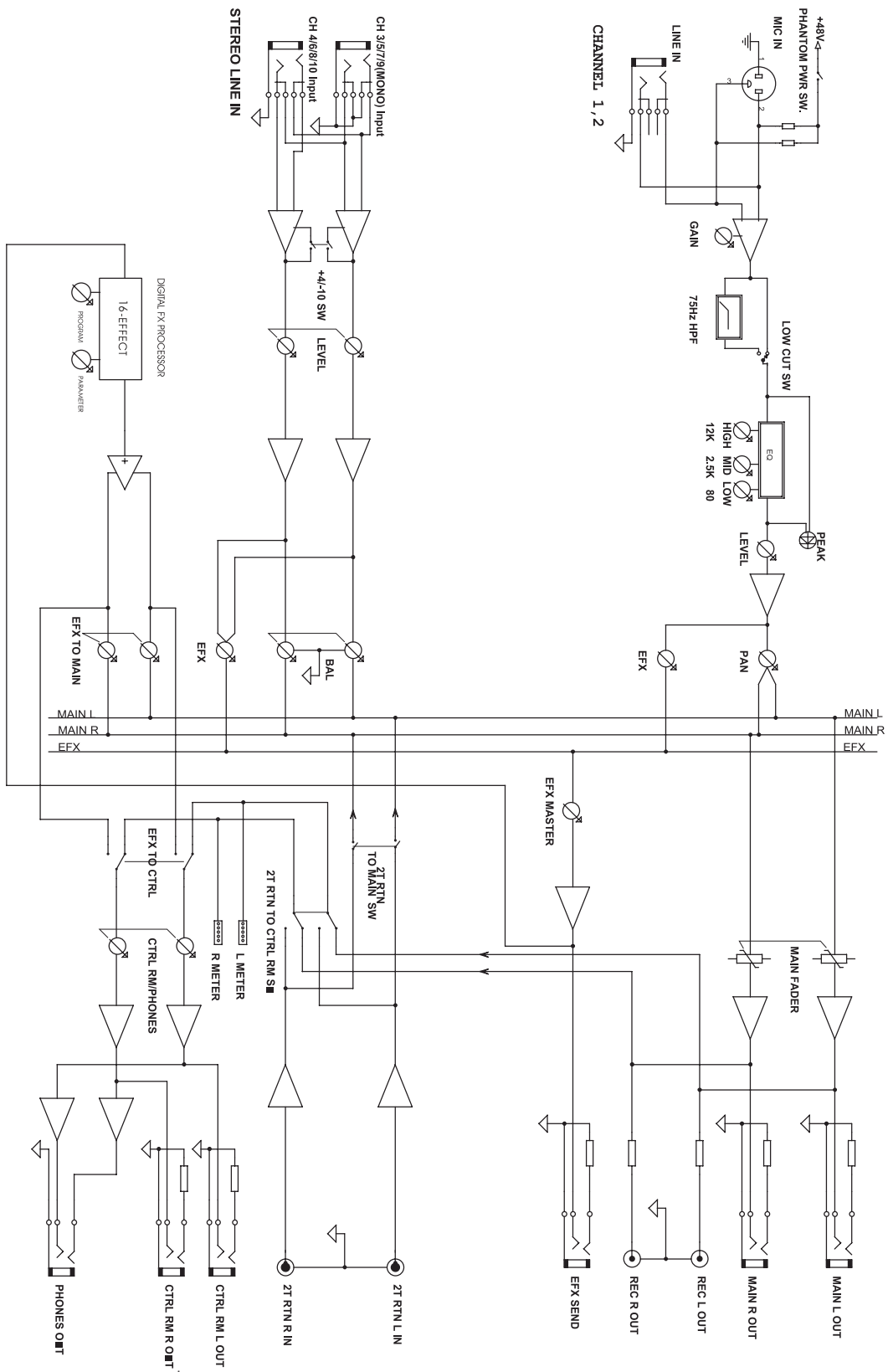
BLOCK DIAGRAM DIAGRAMA DE BLOQUE

AM 240

Appendix
Apéndice



AM 240D



PHONIC
WWW.PHONIC.COM