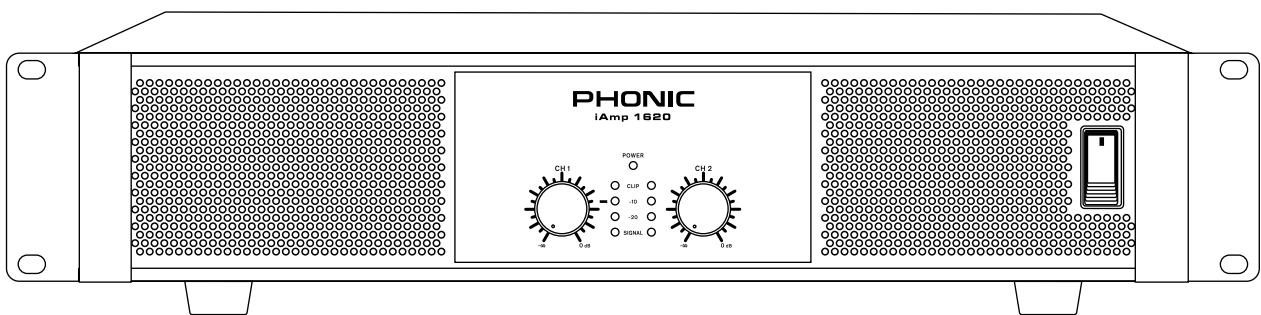


PHONIC

WWW.PHONIC.COM



iAMP 1620
iAMP 3020

- User's Manual
- Manual del Usuario

iAMP 1620

iAMP 3020

DIGITAL AMPLIFIER
AMPLIFICADOR DIGITAL



ENGLISH	I
ESPAÑOL	II

USER'S MANUAL

CONTENTS

INTRODUCTION.....	1
FEATURES.....	1
FRONT PANEL.....	1
BACK PANEL.....	2
SPECIFICATIONS.....	3

APPENDIX

APPLICATIONS.....	1
DIMENSIONS.....	2
BLOCK DIAGRAMS.....	3

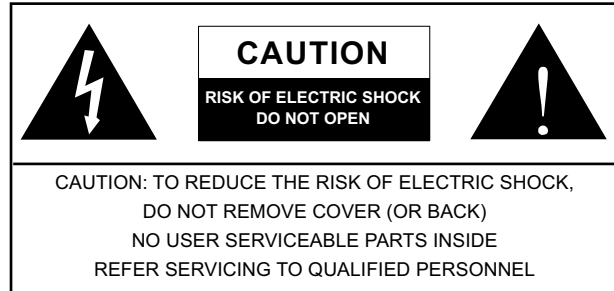
Phonic preserves the right to improve or alter any information within this document without prior notice

IMPORTANT SAFETY INSTRUCTIONS

The apparatus shall not be exposed to dripping or splashing and that no objects filled with liquids, such as vases, shall be placed on the apparatus. The MAINS plug is used as the disconnect device, the disconnect device shall remain readily operable.

Warning: the user shall not place this apparatus in the confined area during the operation so that the mains switch can be easily accessible.

1. Read these instructions before operating this apparatus.
2. Keep these instructions for future reference.
3. Heed all warnings to ensure safe operation.
4. Follow all instructions provided in this document.
5. Do not use this apparatus near water or in locations where condensation may occur.
6. Clean only with dry cloth. Do not use aerosol or liquid cleaners. Unplug this apparatus before cleaning.
7. Do not block any of the ventilation openings. Install in accordance with the manufacturer's instructions.
8. Do not install near any heat sources such as radiators, heat registers, stoves, or other apparatus (including amplifiers) that produce heat.
9. Do not defeat the safety purpose of the polarized or grounding-type plug. A polarized plug has two blades with one wider than the other. A grounding type plug has two blades and a third grounding prong. The wide blade or the third prong is provided for your safety. If the provided plug does not fit into your outlet, consult an electrician for replacement of the obsolete outlet.
10. Protect the power cord from being walked on or pinched particularly at plug, convenience receptacles, and the point where they exit from the apparatus.
11. Only use attachments/accessories specified by the manufacturer.
12. Use only with a cart, stand, tripod, bracket, or table specified by the manufacturer, or sold with the apparatus. When a cart is used, use caution when moving the cart/apparatus combination to avoid injury from tip-over.
13. Unplug this apparatus during lightning storms or when unused for long periods of time.
14. Refer all servicing to qualified service personnel. Servicing is required when the apparatus has been damaged in any way, such as power-supply cord or plug is damaged, liquid has been spilled or objects have fallen into the apparatus, the apparatus has been exposed to rain or moisture, does not operate normally, or has been dropped.



The lightning flash with arrowhead symbol, within an equilateral triangle, is intended to alert the user to the presence of uninsulated "dangerous voltage" within the product's enclosure that may be of sufficient magnitude to constitute a risk of electric shock to persons.

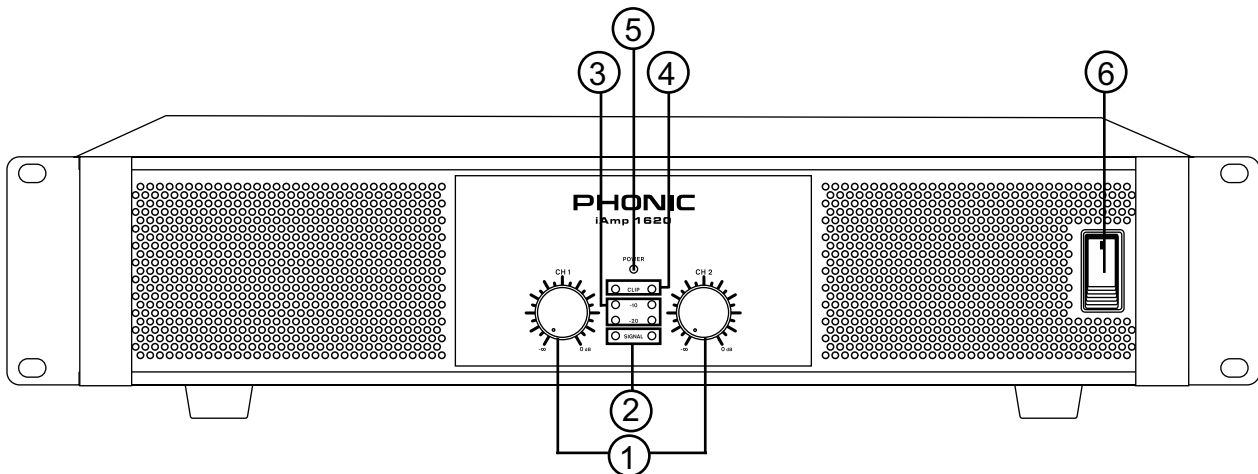


The exclamation point within an equilateral triangle is intended to alert the user to the presence of important operating and maintenance (servicing) instructions in the literature accompanying the appliance.

WARNING: To reduce the risk of fire or electric shock, do not expose this apparatus to rain or moisture.

CAUTION: Use of controls or adjustments or performance of procedures other than those specified may result in hazardous radiation exposure.





INTRODUCTION

Congratulations on your purchase of another great Phonic product. The iAMP1620 and iAMP3020 were carefully designed so as to provide phenomenal power in a low-weight, easily-manageable construction that is rack-mountable. Phonic combines its revolutionary D-class amplifier technology with stable, reliable power supplies for fantastic amplification even under the most rigorous of conditions.

Various operation modes are available on each channel, providing users with an easy way to use the iAMP with subwoofers or mid-high frequency speakers without additional gear. Combination inputs were included allowing for more versatile input, while professional-standard speakon output connectors are included for connection to speakers. The iAMP further offers 1/4" thru jacks to daisy-chain the input signal into further amplifiers.

We know how eager you are to get started – getting the amp out and hooking all your gear up is probably your number one priority right now – but before you do, we strongly urge you to take a look through this manual. Inside, you will find important facts and figures on the set up, use and applications of your brand new iAMP. Remember that safe operation of an amplifier is of the utmost importance, so we strongly recommend that users heed all warnings and instructions listed in this manual.

FEATURES

- Each channel runs 1600 or 3000 Watts of power into 2 ohms
- Innovative class D amplification circuitry
- Independent fourth-order Linkwitz-Riley crossover
- Convenient combo jacks accepting 1/4" and XLR inputs
- Detented front panel input gain controls
- Independent 1/4" thru jacks for expanded operation
- 4 pole professional speaker twist lock outputs
- Full range of safety circuits for full protection

FRONT PANEL

1. Gain Controls

These controls adjust the incoming level received by the respective channel 1 and channel 2 input jacks on the rear of the iAMP. It is idea to set these controls to the right-most position to allow optimal use of the incoming signal whenever possible.

2. Signal LED

These LED indicators will light up whenever the iAMP produces a signal through the corresponding input channels, equal to about 4 volts RMS.

3. Level LEDs

These LEDs will illuminate when the output level of the iAMP reaches the levels indicated, -20 and -10 dB. For best results, set the Gain controls to a level that lets the -20 indicator flash steadily.

4. Clip LED

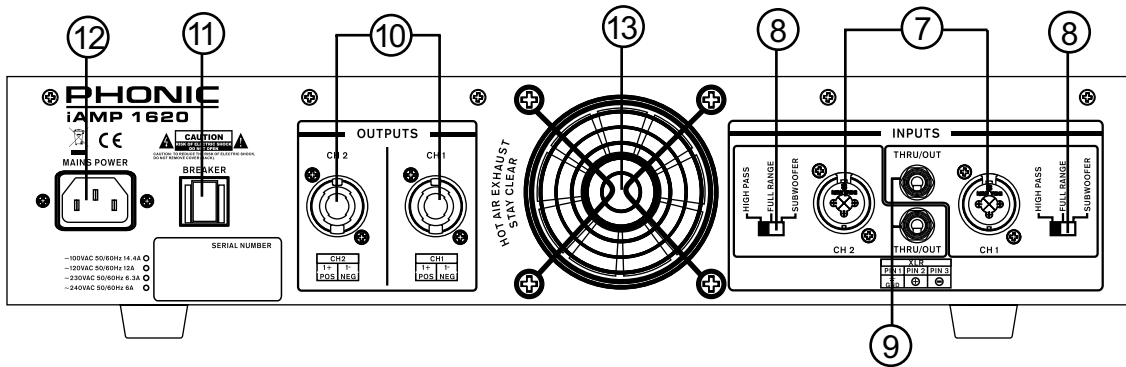
The Clip LED will light up just prior to the clipping of the output signal, giving users a clear way to know whether to lower the Gain controls to reduce the outgoing signal. A steady flashing or constant illumination will require attention by the user, whereas an occasional flash doesn't necessarily indicate immediate issues.

5. Power LED

This LED will light up when the iAMP is turned on.

6. Power Switch

This switch is used to activate and deactivate the iAMP. Be sure to power on all input devices, including mixers and/or signal processors before turning the iAMP on, and ensure the iAMP is the first device you turn off.



BACK PANEL

7. Combo Input Jacks

Both channels of the iAMP offer actively balanced 'combination' input jacks. These accept either 3-pin XLR or 1/4" TRS connectors. The design of the iAMP's circuitry allows for the highest possible input signal level to be received from the majority of sources.

8. Channel Mode Switch

This switch allows the users to select from three operation modes.

High Pass: This position will activate a high-pass filter on the corresponding channel. This is a Linkwitz-Riley filter that will cut all frequencies below 100 Hz. This is ideal for use when additional subwoofer cabinets will be used in the setup, allowing the amplifier to concentrate on signals above 100 Hz for use with mid-high frequency speakers.

Full Range: This position will allow all frequencies to pass through the amplifier; high, mid and low. This setting will typically be used when full-range speakers are connected to the iAMP.

Subwoofer: Selecting this position on the Channel Mode Switch will allow all frequencies below 100 Hz to pass through the amplifier. Again, this is a Linkwitz-Riley filter. This position is ideal for use with dedicated subwoofer speakers, allowing the amplifier to concentrate on these frequencies and thus improving the level of bass and your overall 'thump'.

9. Thru Output

These balanced 1/4" outputs allow users to patch the incoming signals directly out to additional amplifiers or input devices.

10. Speaker Connectors

The iAMP offers a professional-standard 4 pole speaker connector for each output channel. Twist the cable clockwise to lock speakers into place and counter clockwise to release.

11. Breaker Switch

In the unlikely event that an external influence poses an issue that could potentially harm the unit, the iAMP's breaker will trip. Check all wiring and cables before resetting a tripped breaker. If the breaker trips again, it would be advisable to get in touch with your country's Phonic distributor for repairs and services.

12. AC Power Connector

This input connector is for IEC power cables, allowing for AC power to be sent to the unit. Please use the power cable provided with the unit to power the iAMP. We strongly suggest that you under no circumstances remove the grounding pin from the cable. Doing so could be detrimental to the iAMP's operation and to your safety.

13. Cooling Fan

Due to the heat that can be accumulated when amplifying signals, Phonic includes a variable-speed fan that is temperature sensitive – activated and deactivating as necessary.

SPECIFICATIONS

	iAMP 1620	iAMP 3020
1KHz, 0.5% THD	Continuous Output Per Channel	
Output Power 8 ohms	300W	600W
Output Power 4 ohms	530W	1000W
Output Power 2 ohms	800W	1500W
Input Sensitivity	0.775 volts +/- 3% for 1 kHz 4 ohm rated power, 0.68 volts +/- 3% for 1 kHz. 2 ohm rated power	
Input Connector	One Combo Jack (XLR+1/4") per channel	
Signal Through Out	One 1/4" phone jack per channel	
Frequency Response	10Hz – 50KHz	
Speaker Output	One Speakon connector per channel	
Built-in Filters	High-Pass, Sub-woofer, switchable	
S/N Ratio (20 Hz – 20 KHz)	> 105dB A-Weighted	
THD@ 1 kHz (10% Rated Output)	Less than 0.1%	
Protection Circuitry	Multiple Protection designs against DC bias, thermal fault, load mismatch, etc.	
Power Consumption	800W 2Ω LOAD STEREO	1500W 2Ω LOAD STEREO
Dimensions (WxHxD)	483 x 105 x 415 mm (19.02" x 4.13" x 16.34")	
Weight	6.1 kg (13.4 lbs)	6.8 kg (14.9 lbs)

SERVICE AND REPAIR

For replacement parts, service and repairs please contact the Phonic distributor in your country. Phonic does not release service manuals to consumers, and advice users to not attempt any self repairs, as doing so voids all warranties. You can locate a dealer near you at <http://www.phonic.com/where/>.

WARRANTY INFORMATION

Phonic stands behind every product we make with a no-hassles warranty. Warranty coverage may be extended, depending on your region. Phonic Corporation warrants this product for a minimum of one year from the original date of purchase against defects in material and workmanship under use as instructed by the user's manual. Phonic, at its option, shall repair or replace the defective unit covered by this warranty. Please retain the dated sales receipt as evidence of the date of purchase. You will need it for any warranty service. No returns or repairs will be accepted without a proper RMA number (return merchandise authorization). In order to keep this warranty in effect, the product must have been handled and used as prescribed in the instructions accompanying this warranty. Any tampering of the product or attempts of self repair voids all warranty. This warranty does not cover any damage due to accident, misuse, abuse, or negligence. This warranty is valid only if the product was purchased new from an authorized Phonic dealer/distributor. For complete warranty policy information, please visit <http://www.phonic.com/warranty/>.

CUSTOMER SERVICE AND TECHNICAL SUPPORT

We encourage you to visit our online help at <http://www.phonic.com/support/>. There you can find answers to frequently asked questions, tech tips, driver downloads, returns instruction and other helpful information. We make every effort to answer your questions within one business day.

support@phonic.com
<http://www.phonic.com>

PHONIC

Manual del Usuario

CONTENIDO

INTRODUCCIÓN.....	1
CARACTERÍSTICAS.....	1
PANEL FRONTAL.....	1
PANEL POSTERIOR.....	2
ESPECIFICACIONES.....	3


APÉNDICE

APLICACIONES.....	1
DIMENSIONES.....	2
DIAGRAMAS DE BLOQUE.....	3

Phonic se reserva el derecho de mejorar o alterar cualquier información provista dentro de este documento sin previo aviso.

INSTRUCCIONES DE SEGURIDAD

1. Lea estas instrucciones antes de operar este aparato.
2. Mantenga este instructivo para futuras referencias.
3. Preste atención a todas las advertencias para asegurar una operación adecuada.
4. Siga todas las instrucciones indicadas en este instructivo.
5. No utilice este aparato cerca del agua o en lugares donde se puedan dar condensaciones.
6. Limpie solamente con lienzos secos. No utilice aerosol ni limpiadores líquidos. Desconecte este aparato antes de limpiarlo.
7. No bloquee ninguna de las aberturas de ventilación. Instale según las instrucciones del fabricante.
8. No lo instale cerca de cualquier fuente de calor como radiadores, registros de calor, estufas, u otro aparato (incluyendo amplificadores) que produzcan calor.
9. No deshaga la opción de seguridad del plug polarizado o aterrizado. Una clavija polarizada tiene dos cuchillas una más grande que la otra. Una clavija del tipo polarizado tiene dos cuchillas y un diente. La cuchilla más ancha o el tercer diente esta incluido para su seguridad. Si esta clavija no se acomoda en su toma corriente, consulte un electricista para que cambie el toma corriente obsoleto.
10. Proteja el cable de electricidad de ser pisado o picado particularmente en la clavija, los receptáculos y en el punto donde estos salgan del aparato. No pise los cables de alimentación de AC.
11. Utilice solamente accesorios o demás cosas especificadas por el fabricante.
12. Transporte solamente con un carro, pedestal, tripie abrazaderas o mesas especificadas por el fabricante, o incluidas con el aparato. Si se utiliza un carro, tenga precaución cuando mueva el carro con el aparato para evitar lesiones de cualquier tipo.
13. Desconecte este aparato durante tormentas eléctricas o cuando no se ocupe en periodos largos de tiempo.
14. Refiera todo el servicio al personal calificado. Se requiere de servicio cuando el aparato a sido dañado en cualquier manera, por ejemplo cuando el cable de alimentación de voltaje o la clavija han sido dañados, si se ha derramado liquido o si algun objeto a caido en el aparato, o si el aparato ha sido expuesto a la lluvia o a la humedad, no funcione normalmente o si ha sufrido una caída.

	PRECAUCION RIESGO DE SHOCK ELECTRICO NO ABRIR	
PRECAUCION: PARA REDUCIR EL RIESGO DE SHOCK ELECTRICO NO REMUEVA LA TAPA (O LA CUBIERTA) NO HAY REFACCIONES DENTRO MANDE A SERVICIO CON EL PERSONAL CALIFICADO		



El simbolo con una flecha encerrado en un triangulo equilátero, es para alertar al usuario de la presencia de "voltaje peligroso" no aislado dentro del chasis del producto que pudiera ser de magnitud suficiente para constituir un riesgo de shock eléctrico a las personas.



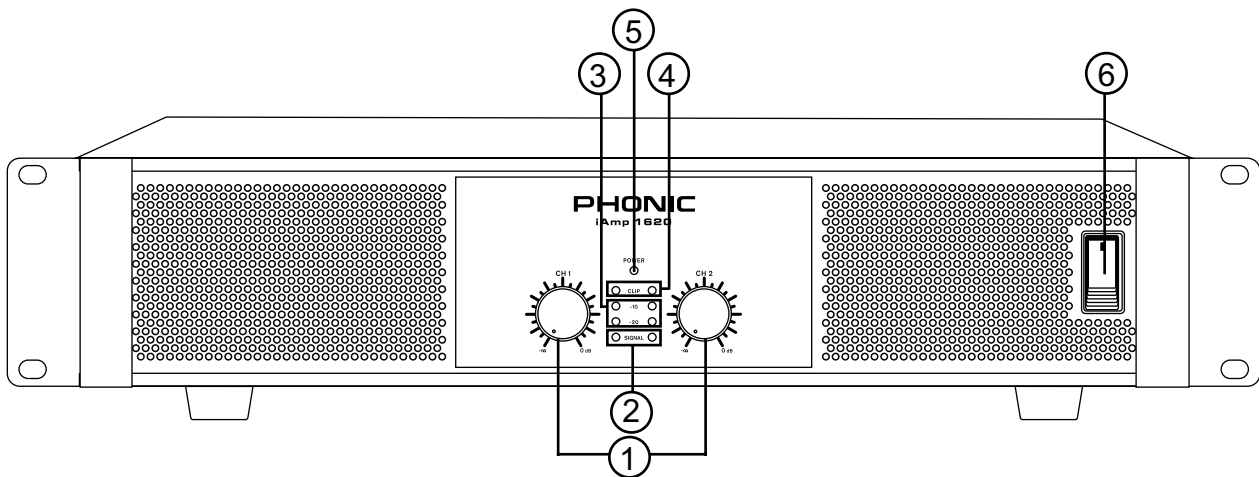
El punto de exclamación dentro de un triangulo equilátero es para alertar al usuario de la presencia de instrucciones importantes de operación y mantenimiento (servicio) en la literatura que acompaña el equipo.

ADVERTENCIA: Para reducir el riesgo de shock o fuego eléctrico no exponga este aparato a la lluvia o a la humedad.

PRECAUCION: No use controles, ajustes, no realice procedimientos diferentes a los especificados, esto puede resultar en una peligrosa exposición a la radiación.



PHONIC



INTRODUCCIÓN

Felicitaciones por la compra de otro fantástico producto de Phonic. Los iAMP1620 y iAMP3020 han sido meticulosamente diseñados para brindarle una potencia fenomenal en peso liviano, construcción fácil administrable de rack montable. Phonic combina su tecnología revolucionaria de amplificadores clase D con un suministro de potencia fiable para excelente amplificación bajo las condiciones más rigurosas.

Varias operaciones de modo están disponibles en cada canal ofreciendo a los usuarios con una facilidad de uso del iAMP con subwoofers o altavoces de frecuencia media-alta sin dispositivos extras. La combinación de entradas ha sido incluida para entradas más versátiles, con conectores profesionales estándar speakon que incluyen para más conexiones de altavoces. Los iAMP ofrecen 1/4" jacks para enlazar entrada de señal a más amplificadores.

Sabemos que usted está ansioso de comenzar el uso de dicha unidad- antes de comenzar el encablado y salida de amp de todo su equipo es probablemente unas de las prioridades ahora-pero antes de hacer tales procesos, le sugerimos que lea este manual. Dentro usted, encontrará información importante y figuras sobre la instalación, usos y aplicaciones para su nuevo iAMP. Recuerde que la operación segura de un amplificador es lo más importante, así que le recomendamos hacer caso a las advertencias e instrucciones listadas en este manual.

CARACTERÍSTICAS

- Cada canal ejecuta 1600 Watts o 3000 Watts de potencia a 2 ohms
- Circuito innovador amplificador clase D
- Crossover independiente de cuarta orden Linkwitz-Riley
- Conveniente combo jacks aceptando entradas 1/4" y XLR
- Fijador de controles de ganancia en el panel frontal
- Independiente 1/4" mediante jacks para ampliar operaciones
- 4 polos twist lock de salida para altavoces profesionales
- Gama completa de protección para circuitos de seguridad

PANEL FRONTAL

1. Ganancias de Controles

Estos controles ajustan los niveles de entrada recibidos por las entradas jacks del panel posterior del iAMP del respectivo canal 1 y canal 2. Es la idea de configurar estos controles a la posición más correcta para tener un uso óptimo de las señales de entrada posibles.

2. Señal LED

Los indicadores LED se iluminarán cuando el iAMP produzca una señal mediante la entrada de canal correspondiente, igual a o igual 4 volts RMS.

3. Nivel de LED

Estos LED se iluminarán cuando los niveles de salida del iAMP llegue al nivel indicado, -20 y -10 dB. Para mejores resultados, configure los controles de Ganancia a un nivel que deje a los indicadores flash de -20 firmes.

4. Clip LED

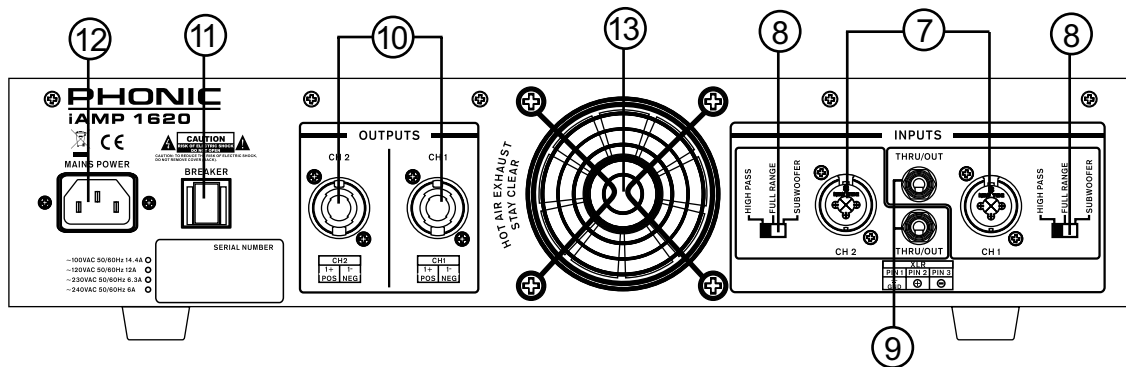
El Clip LED se iluminará solo antes que del recorte de la señal de salida, ofreciendo a los usuarios una manera clara de cómo bajar los controles Ganancia en reducir la salida de canales. Un flash firme o constante iluminación requerirá la atención del usuario, donde en ocasiones el flash no es necesariamente indica cuestiones inmediatas.

5. Power LED

Este LED se iluminará cuando el iAMP está activado.

6. Interruptor de Potencia

Este interruptor es usado para activar y desactivar el iAMP. Asegúrese de encender todas las entradas de los dispositivos incluyendo mezcladoras y/o procesadores de señal antes de encender el iAMP, y asegure de que el iAMP es primer dispositivo que usted apague.



PANEL POSTERIOR

7. Combo de entradas Jacks

Ambos canales del iAMP ofrece combinación activa balanceada de entradas jack. Estas aceptan un 3-pin XLR o conectores 1/4" TRS. El diseño del circuito del iAMP permite posibles entradas de señal de nivel alto a ser recibidos desde las fuentes principales.

8. Interruptor para Modo de Canal

Este interruptor permite a los usuarios en seleccionar tres modos de operaciones.

Paso-Alto (High Pass): Esta posición activará un filtro de paso alto en los canales correspondientes. Este filtro de Linkwitz-Riley cortará todas las frecuencias bajo 100 Hz. Es ideal para los usos de gabinetes de subwoofer adicionales en ser usados en las instalaciones, permitiendo que los amplificadores se concentren en las señales sobre 100 Hz para usos de altavoces de frecuencia media-alta.

Gama-Completa: Esta posición permitirá que todas las frecuencias pasen mediante el amplificador; alto, medio y bajo. Esta configuración será empleado típicamente cuando los altavoces estén a gama completa conectados al iAMP.

Subwoofer: Seleccione esta posición en el interruptor de Modo del Canal que le permitirá todas las frecuencias bajo 100Hz a pasar mediante el amplificador. Nuevamente, este es un filtro Linkwitz-Riley. Esta posición es ideal para usos con altavoces subwoofer dedicados, permitiendo al amplificador a concentrarse en estas frecuencias y mejorar el nivel de bass en su todo su "thump"(golpe seco).

9. Mediante Salida

Estas salidas balanceadas 1/4" permite a los usuarios en parchar las señales entrantes directo a la salida a amplificadores adicionales o entradas de dispositivos.

10. Conectores de Altavoz

El iAMP ofrece un conector de altavoz profesional estándar de 4 polos para cada salida de canal. El torcido del cable en dirección en sentido a las agujas del reloj para cerrar los altavoces en lugar y en sentido contrario para liberarlo.

11. Disyuntor (Breaker Switch)

En un evento de caso poco probable una influencia externa posee una cuestión que puede dañar potencialmente la unidad, los disyuntores del iAMP se activarán. Revise todo los encablados y cables antes de re-configurar un disparador disyuntor. Si el disyuntor es activado nuevamente, le sugerimos en que se ponga en contacto con su distribuidora Phonic de su país para reparaciones y servicios.

12. Conector de Potencia AC

Esta entrada de conector es para cables de potencia IEC, permitiendo que la potencia AC sea enviada a la unidad. Favor de usar el cable de potencia que viene con la unidad para potenciar el iAMP. Le recomendamos que bajo ninguna circunstancia remueva la varada (grounding pin) del cable. En hacer esto eliminará la seguridad operativa de su iAMP.

13. Ventilador

El calor acumulado durante las amplificaciones de señales, Phonic ha incluido un ventilador de velocidad variable que es sensitivo a la temperatura que será activa y desactivada al ser necesitado.

ESPECIFICACIONES

	iAMP 1620	iAMP 3020
1KHz,0.,5%THD	Salida por Canal	
Salida de Potencia 8 ohms	300W	600W
Salida de Potencia 4 ohms	530W	1000W
Salida de Potencia 2 ohms	800W	1500W
Entrada de sensibilidad	0.775 voltios +/- 3% por 1 kHz 4 ohm potencia nominal, 0.68 voltios +/- 3% por 1 kHz. 2 ohm potencia nominal	
Entrada de Conector	Un Combo jack/ cada Canal	
Señal mediante Salida	1x1/4" phone jack/ Canal	
Respuesta de Frecuencia	10Hz – 50KHz	
Salida de Altavoz	Un Speakon cada Canal	
Filtros Integrados	Paso Alto, Subwoofer intercambiable	
S/N Relación (20Hz-20KHz)	105dB Ponderación-A 20Hz-20KHz	
THD@ 1 kHz (10% Salida Nominal)	Menos de 0.1%	
Circuito de Protección	Diseños de Múltiple Protección contra DC sesgo, falla de Termal, Carga de desajustada, ect.	
Potencia de Consumo	800W 2Ω CARGA ESTÉREO	1500W 2Ω CARGA ESTÉREO
Dimensiones (An x Alt x P),mm	483 x 105 x 415 mm (19.02" x 4.13" x 16.34")	
Peso	6.1 kg (13.4 lbs)	6.8 kg (14.9 lbs)

SERVICIO Y REPARACIÓN

Para refacciones de reemplazo y reparaciones, por favor póngase en contacto con nuestro distribuidor de Phonic en su país. Phonic no distribuye manuales de servicio directamente a los consumidores y, avisa a los usuarios que no intenten hacer cualquier reparación por sí mismo, haciendo ésto invalidará todas las garantías del equipo. Puede encontrar un distribuidor cerca de usted en <http://www.phonic.com/where/>.

INFORMACIÓN DE LA GARANTIA

Phonic respalda cada producto que hacemos con una garantía sin enredo. La cobertura de garantía podría ser ampliada dependiendo de su región. Phonic Corporation garantiza este producto por un mínimo de un año desde la fecha original de su compra, contra defectos en materiales y mano de obra bajo el uso que se instruya en el manual del usuario. Phonic, a su propia opinión, reparará o cambiará la unidad defectuosa que se encuentra dentro de esta garantía. Por favor, guarde los recibos de venta con la fecha de compra como evidencia de la fecha de compra. Va a necesitar este comprobante para cualquier servicio de garantía. No se aceptarán reparaciones o devoluciones sin un número RMA apropiado (return merchandise authorization). En orden de tener esta garantía válida, el producto deberá de haber sido manejado y utilizado como se describe en las instrucciones que acompañan esta garantía. Cualquier atentado hacia el producto o cualquier intento de repararlo por usted mismo, cancelará completamente esta garantía. Esta garantía no cubre daños ocasionados por accidentes, mal uso, abuso o negligencia. Esta garantía es válida solamente si el producto fue comprado nuevo de un representante/distribuidor autorizado de Phonic. Para la información completa acerca de la política de garantía, por favor visite <http://www.phonic.com/warranty/>.

SERVICIO AL CLIENTE Y SOPORTE TÉCNICO

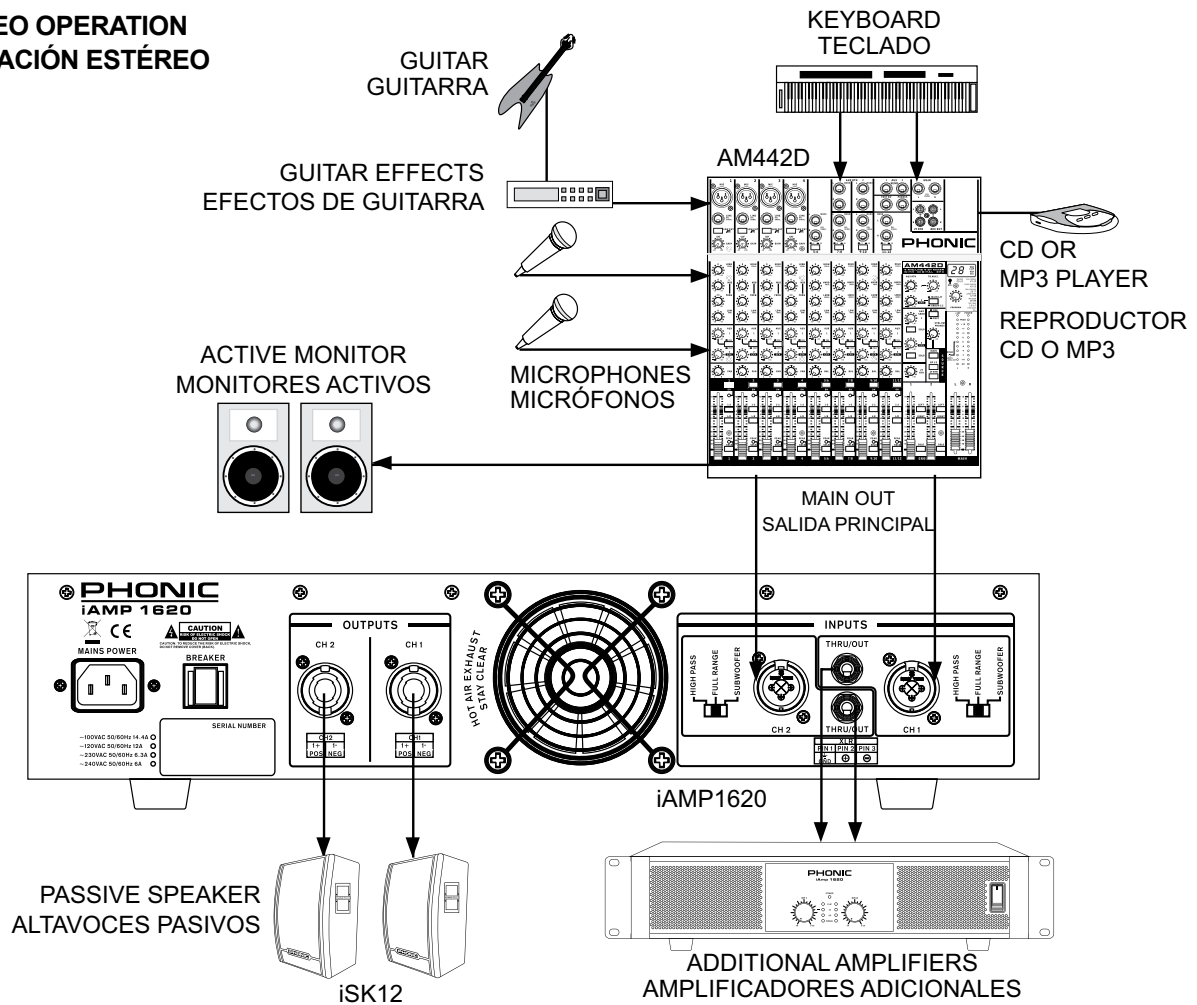
Le invitamos a que visite nuestro sistema de ayuda en línea en www.phonic.com/support/. Ahí podrá encontrar respuestas a las preguntas más frecuentes, consejos técnicos, descarga de drivers, instrucciones de devolución de equipos y más información de mucho interés. Nosotros haremos todo el esfuerzo para contestar sus preguntas lo antes posible.

support@phonic.com
<http://www.phonic.com>

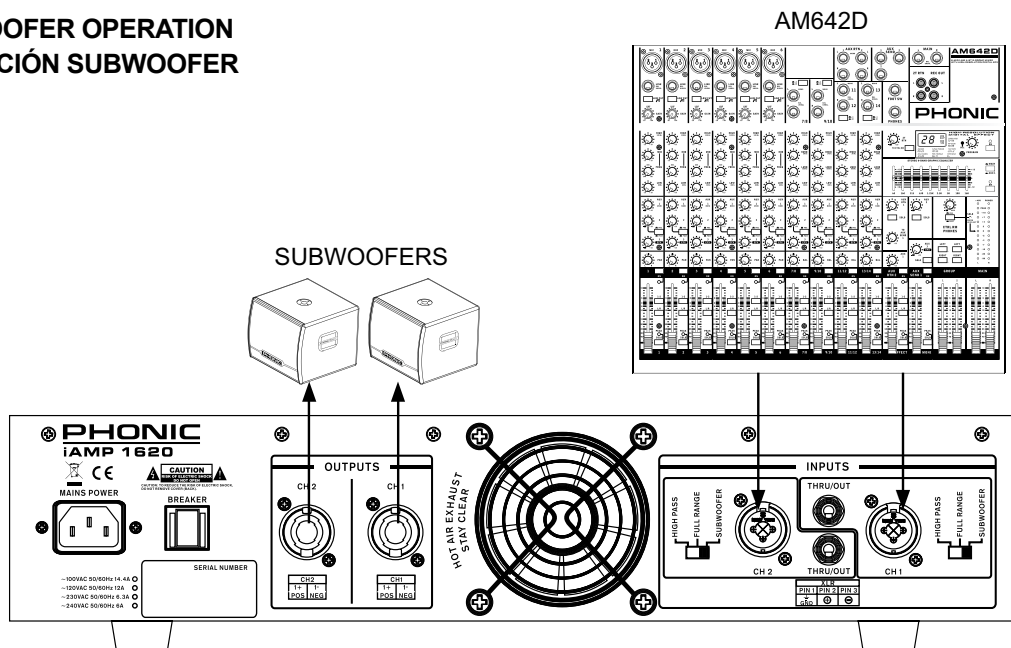
PHONIC

APPLICATIONS APLICACIONES

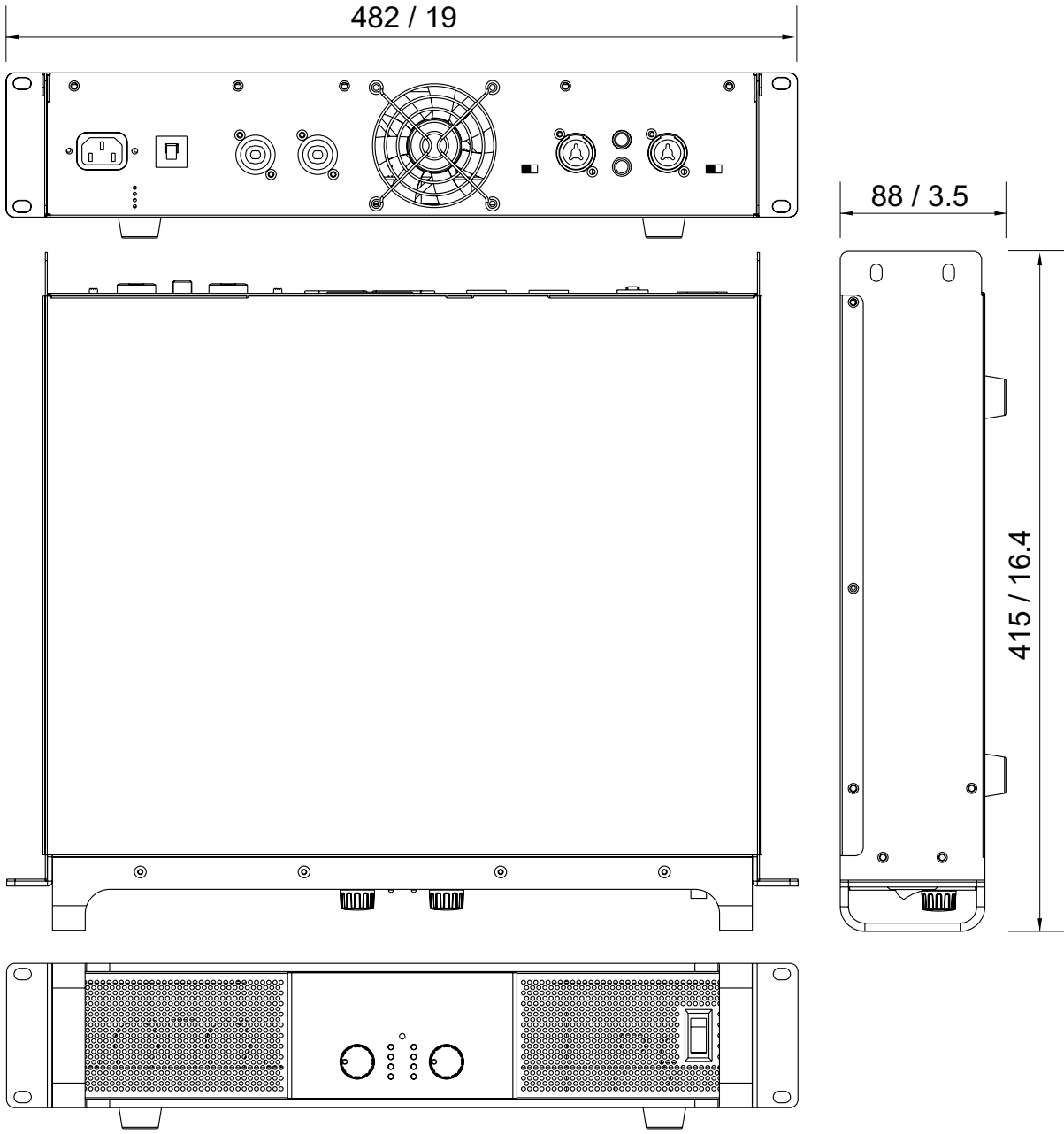
STEREO OPERATION OPERACIÓN ESTÉREO



SUBWOOFER OPERATION OPERACIÓN SUBWOOFER



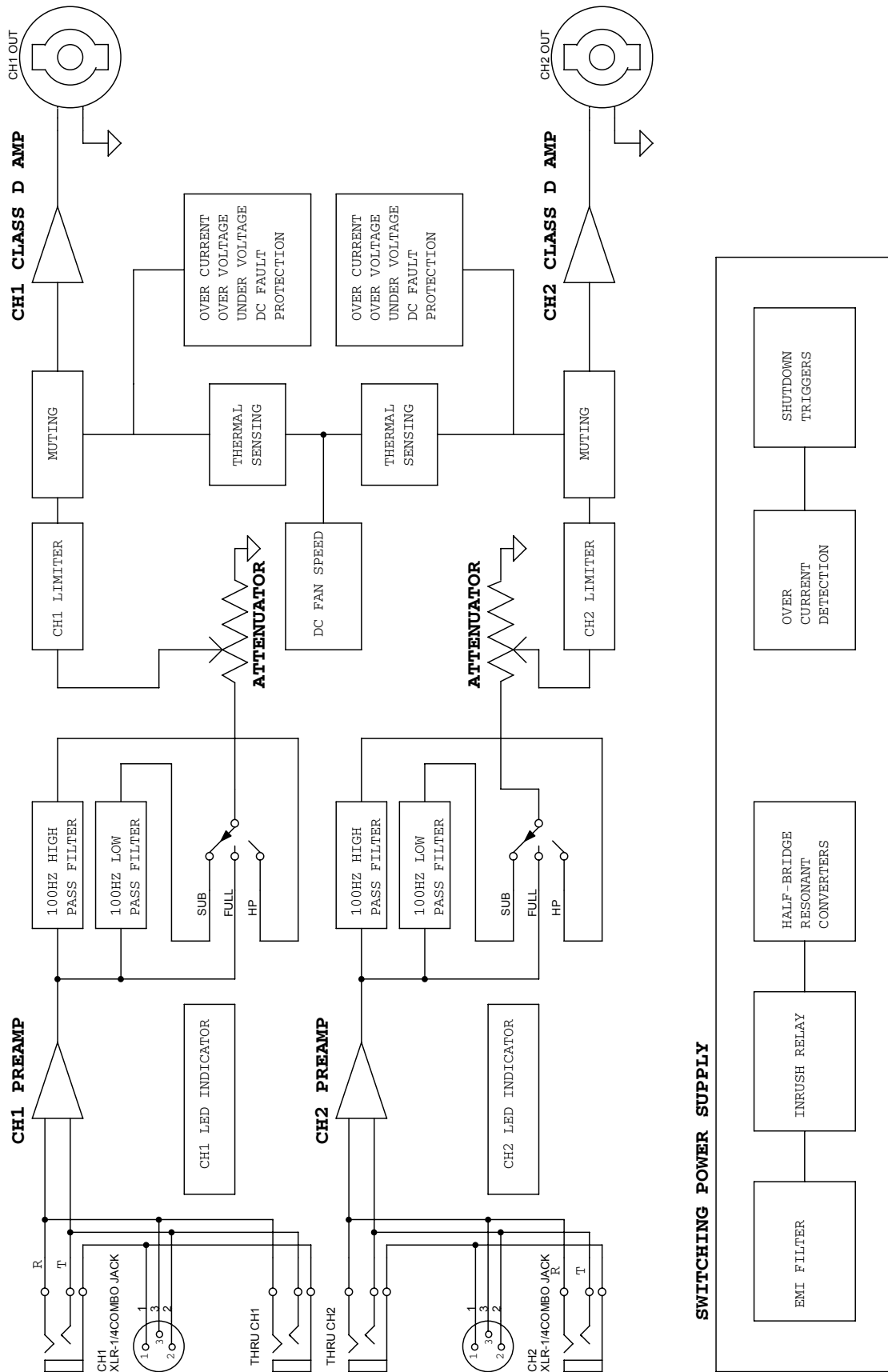
DIMENSIONS DIMENSIONES



measurements are shown in mm/inches
Todas las medidas están mostradas en mm/pulgadas.

Appendix
Apéndice

BLOCK DIAGRAM DIAGRAMA DE BLOQUE



PHONIC
WWW.PHONIC.COM