



BAT.PAR 6 RGBWA  
BAT.PAR 6 RGBUV

LED spotlight

Musikhaus Thomann  
Thomann GmbH  
Hans-Thomann-Straße 1  
96138 Burgebrach  
Germany  
Telephone: +49 (0) 9546 9223-0  
E-mail: [info@thomann.de](mailto:info@thomann.de)  
Internet: [www.thomann.de](http://www.thomann.de)

29.12.2017, ID: 385435, 385475

---

# Table of contents

<b>1</b>	<b>General information</b> .....	<b>6</b>
	1.1 Further information.....	7
	1.2 Notational conventions.....	8
	1.3 Symbols and signal words.....	8
<b>2</b>	<b>Safety instructions</b> .....	<b>11</b>
<b>3</b>	<b>Features</b> .....	<b>18</b>
<b>4</b>	<b>Installation</b> .....	<b>19</b>
<b>5</b>	<b>Starting up</b> .....	<b>23</b>
<b>6</b>	<b>Connections and operating elements</b> .....	<b>25</b>
<b>7</b>	<b>Operating</b> .....	<b>31</b>
	7.1 Starting the device.....	31
	7.2 Operating controls on the unit.....	31
	7.3 Operating via IR remote control.....	35
	7.4 Menu overview.....	36
	7.5 Functions in 1-channel DMX mode.....	38

7.6	Functions in 4-channel DMX mode.....	38
7.7	Functions in 5-channel DMX mode.....	39
7.8	Functions in 6-channel DMX mode.....	40
7.9	Functions in 7-channel DMX mode.....	41
7.10	Functions in 8-channel DMX mode.....	44
<b>8</b>	<b>Technical specifications.....</b>	<b>47</b>
<b>9</b>	<b>Plug and connection assignments.....</b>	<b>50</b>
<b>10</b>	<b>Troubleshooting.....</b>	<b>51</b>
<b>11</b>	<b>Cleaning.....</b>	<b>53</b>
<b>12</b>	<b>Protecting the environment.....</b>	<b>54</b>





# 1 General information

This manual contains important instructions for the safe operation of the unit. Read and follow the safety instructions and all other instructions. Keep the manual for future reference. Make sure that it is available to all those using the device. If you sell the unit please make sure that the buyer also receives this manual.

Our products are subject to a process of continuous development. Thus, they are subject to change.

## 1.1 Further information

On our website ([www.thomann.de](http://www.thomann.de)) you will find lots of further information and details on the following points:

Download	This manual is also available as PDF file for you to download.
Keyword search	Use the search function in the electronic version to find the topics of interest for you quickly.
Online guides	Our online guides provide detailed information on technical basics and terms.
Personal consultation	For personal consultation please contact our technical hotline.
Service	If you have any problems with the device the customer service will gladly assist you.

## 1.2 Notational conventions

This manual uses the following notational conventions:



### Letterings


The letterings for connectors and controls are marked by square brackets and italics.

**Examples:** *[VOLUME]* control, *[Mono]* button.

## 1.3 Symbols and signal words

In this section you will find an overview of the meaning of symbols and signal words that are used in this manual.

Signal word	Meaning
<b>DANGER!</b>	This combination of symbol and signal word indicates an immediate dangerous situation that will result in death or serious injury if it is not avoided.
<b>WARNING!</b>	This combination of symbol and signal word indicates a possible dangerous situation that can result in death or serious injury if it is not avoided.
<b>NOTICE!</b>	This combination of symbol and signal word indicates a possible dangerous situation that can result in material and environmental damage if it is not avoided.
Warning signs	Type of danger
	Warning – high-voltage.
	Warning – suspended load.

Warning signs	Type of danger
	Warning – danger zone.

## 2 Safety instructions

### Intended use

This device is intended to be used as an electronic illumination effect using LED technics. The device is designed for professional use and is not suitable for use in households. Use the device only as described in this user manual. Any other use or use under other operating conditions is considered to be improper and may result in personal injury or property damage. No liability will be assumed for damages resulting from improper use.

This device may be used only by persons with sufficient physical, sensorial, and intellectual abilities and having corresponding knowledge and experience. Other persons may use this device only if they are supervised or instructed by a person who is responsible for their safety.

### Safety



#### **DANGER!**

##### **Danger for children**

Ensure that plastic bags, packaging, etc. are disposed of properly and are not within reach of babies and young children. Choking hazard!

Ensure that children do not detach any small parts (e.g. knobs or the like) from the unit. They could swallow the pieces and choke!

Never let children unattended use electrical devices.



#### **DANGER!**

##### **Electric shock caused by high voltages inside**

Within the device there are areas where high voltages may be present. Never remove any covers.

There are no user-serviceable parts inside.

Do not use the device if covers, protectors or optical components are missing or damaged.





**DANGER!**

**Electric shock caused by short-circuit**

Always use proper ready-made insulated mains cabling (power cord) with a protective contact plug. Do not modify the mains cable or the plug. Failure to do so could result in electric shock/death or fire. If in doubt, seek advice from a registered electrician.



**WARNING!**

**Eye damage caused by high light intensity**

Never look directly into the light source.



**WARNING!**

**Risk of epileptic shock**

Strobe lighting can trigger seizures in photosensitive epilepsy. Sensitive persons should avoid looking at strobe lights.



### **WARNING!**

#### **Incorrect handling of lithium batteries can result in injury**

In the event of a short circuit, overheating or mechanical damage, lithium batteries can cause severe injuries.

Follow the advice on the correct handling of lithium batteries in the present section.



### **NOTICE!**

#### **Risk of fire**

Do not block areas of ventilation. Do not install the device near any direct heat source. Keep the device away from naked flames.



**NOTICE!**

**Operating conditions**

This device has been designed for indoor use only. To prevent damage, never expose the device to any liquid or moisture. Avoid direct sunlight, heavy dirt, and strong vibrations.



**NOTICE!**

**Power supply**

Before connecting the device, ensure that the input voltage (AC outlet) matches the voltage rating of the device and that the AC outlet is protected by a residual current circuit breaker. Failure to do so could result in damage to the device and possibly injure the user.

Unplug the device before electrical storms occur and when it is unused for long periods of time to reduce the risk of electric shock or fire.



### **NOTICE!**

#### **Risk of fire due to incorrect polarity**

Incorrectly inserted batteries may destroy the device or the batteries.

Ensure that proper polarity is observed when inserting batteries.



### **NOTICE!**

#### **Possible damage by leaking batteries**

Leaking batteries can cause permanent damage to the device.

Take batteries out of the device if it is not going to be used for a longer period.



**NOTICE!**

**Possible staining**

The plasticiser contained in the rubber feet of this product may possibly react with the coating of your parquet, linoleum, laminate or PVC floor and after some time cause permanent dark stains.

In case of doubt, do not put the rubber feet directly on the floor, but use felt-pad floor protectors or a carpet.



**NOTICE!**

**Possible damage due to incorrect storage**

Deep discharge can cause batteries to become permanently damaged or lose some of their capacity.

Before prolonged rest periods, charge the batteries to around 50 % of their capacity and then switch the equipment off. Store the equipment at a temperature between 10 °C and 32 °C in as dry an environment as possible. During extended storage periods, charge the batteries to 50 % approximately every three months.

### 3 Features

Special features of the device:

- Model BAT.PAR 6 RGBWA: six RGBWA LEDs (red, green, blue, white, amber, 8 W each)
- Model BAT.PAR 6 RGBUV: six RGBUV LEDs (red, green, blue, UV, 8 W each)
- Stand-alone, master-slave or DMX mode operation
- Control via DMX, four different modes, with the supplied infrared remote control or the buttons and display on the unit
- Stand-alone operation with static colours
- Sound control
- Battery or mains powered
- Power supply and infrared remote control included
- Suitable for use in clubs, bars, theatres, exhibitions, etc. or for mobile use

## 4 Installation

Unpack and carefully check that there is no transportation damage before using the unit. Keep the equipment packaging. To fully protect the device against vibration, dust and moisture during transportation or storage use the original packaging or your own packaging material suitable for transport or storage, respectively.



### **WARNING!**

#### **Risk of injury caused by falling objects**

Make sure that the installation complies with the standards and rules that apply in your country. Always secure the device with a secondary safety attachment, such as a safety cable or a safety chain.



### **NOTICE!**

#### **Risk of overheating**

Always ensure sufficient ventilation.

The ambient temperature must always be below 40 °C (104 °F).



### **NOTICE!**

#### **Use of stands**

When mounting the device onto a stand, ensure that the stand is in a safe and stable position and that the weight of the device does not exceed the maximum permissible load capacity of the stand.



**NOTICE!****Possible data transmission errors**

For error-free operation make use of dedicated DMX cables and do not use ordinary microphone cables.

Never connect the DMX input or output to audio devices such as mixers or amplifiers.

**Mounting options**

You can install the unit in hanging or standing position. When in use, the device must always be attached to a solid surface or an approved truss. Use the openings provided on the two-piece bracket for attaching.

Always work from a stable platform whenever installing, moving or servicing the unit. In doing so, the area underneath the unit must be cordoned off.

The safety-rope must be attached to the bracket.



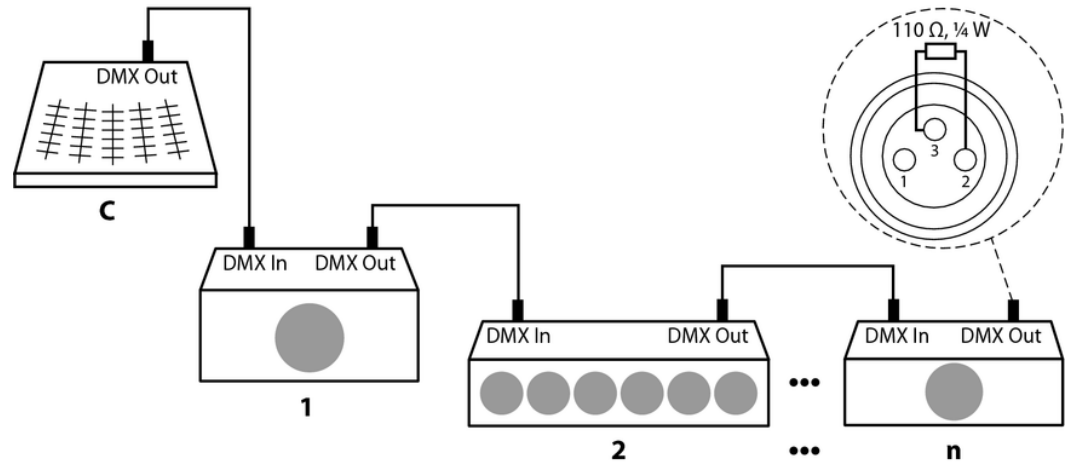
*Please note that this device must not be connected to a dimmer.*

## 5 Starting up

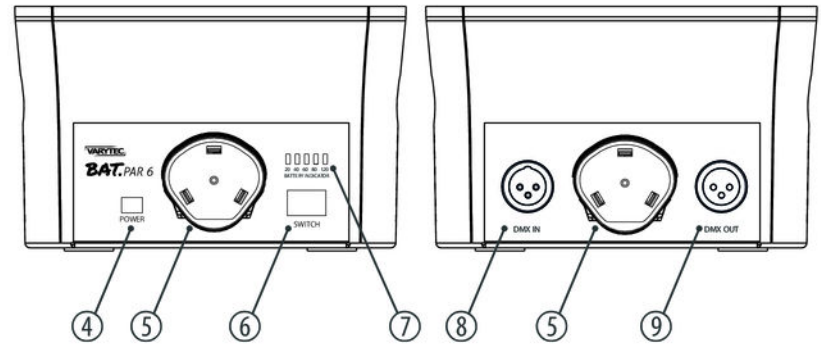
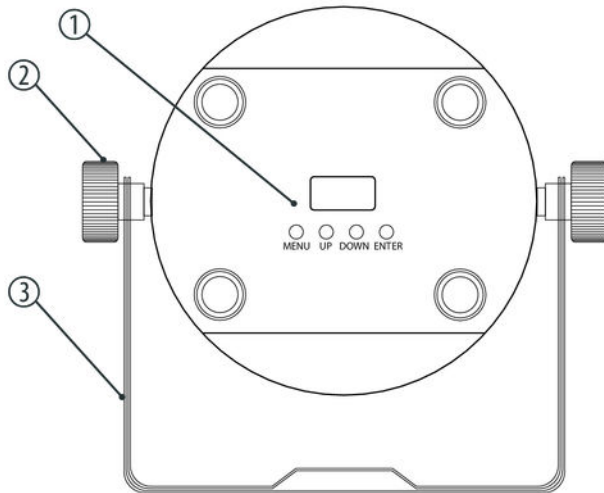
Create all connections while the device is off. Use the shortest possible high-quality cables for all connections. Take care when running the cables to prevent tripping hazards.

### Connections in DMX mode

Connect the DMX input of the device to the DMX output of a DMX controller or another DMX device. Connect the output of the first DMX device to the input of the second one, and so on to form a daisy chain. Always ensure that the output of the last DMX device in the daisy chain is terminated with a resistor ( $110\ \Omega$ ,  $\frac{1}{4}\text{ W}$ ).



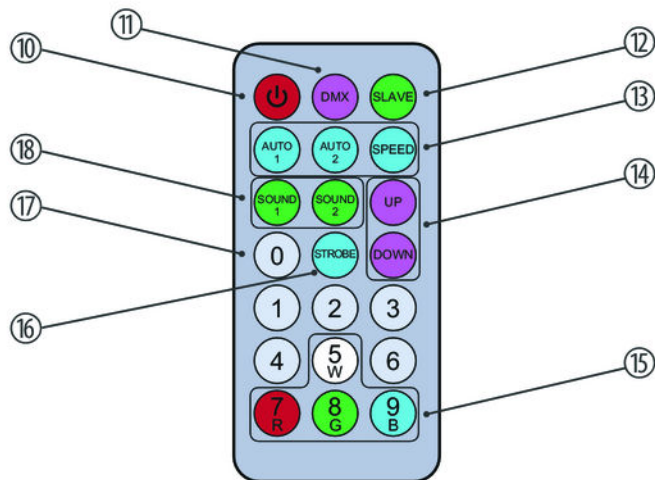
## 6 Connections and operating elements



1	Display and function buttons: <i>[MENU]</i> Activates the main menu and toggles between menu items. Closes an opened submenu. <i>[UP], [DOWN]</i> Toggles between the menu items of a menu level, increases or decreases the displayed value by one. <i>[ENTER]</i> Selects an option of the respective operating mode, confirms the set value.
2	Locking screws for the mounting bracket.
3	Bracket for floor placement or hanging.
4	<i>[POWER]</i> Connection socket for the 15 V power supply unit.
5	Battery compartment

6	<i>[SWITCH]</i> Main switch. Turns the device on and off.
7	<i>[BATTERY INDICATOR]</i> Remaining battery capacity display. When all the LEDs are on, the battery is fully charged. If only the red LED is on, the unit must be connected to the mains again to charge as soon as possible.
8	<i>[DMX IN]</i> DMX input.
9	<i>[DMX OUT]</i> DMX output.

## Remote control





10	Button to turn the device on and off.
11	<i>[DMX]</i> Button to switch between DMX and stand-alone mode.
12	<i>[SLAVE]</i> Button to switch between Master and Slave mode.
13	<i>[AUTO 1], [AUTO 2], [SPEED]</i> Buttons to activate automatic mode 1 or 2 and to adjust the program's speed.
14	<i>[UP], [DOWN]</i> Buttons to switch between individual programs and to increase/decrease numeric values.
15	Buttons for colour selection. Use <ul style="list-style-type: none"> <li>■ <i>[W]</i> for white light.</li> <li>■ <i>[R], [G], or [B]</i> for primary colours red, green and blue.</li> </ul>

- |    |  |
|----|--|
| 16 | <i>[STROBE]</i><br>Button to turn the strobe effect on/off.                                    |
| 17 | Numerical buttons 0 ... 9 for direct number entry.   |
| 18 | <i>[SOUND 1], [SOUND 2]</i><br>Buttons to activate automatic mode 1 or 2 of the sound control. |

## 7 Operating

### 7.1 Starting the device

Using the main switch, turn the device on. After a few seconds, the fan starts. The display shows the current operation mode.

### 7.2 Operating controls on the unit

#### DMX address

Press *[MENU]*, *[UP]* or *[DOWN]* repeatedly until the display shows 'Addr'. Confirm with *[ENTER]*.

Now you can set the number of the first DMX channel to be used by the device (DMX address). Use *[UP]* and *[DOWN]* to select a value between 1 and 512 (display shows 'A001' ... 'A512'). Confirm with *[ENTER]*.

Make sure that this number matches the configuration of your DMX controller.

#### Sound control

Press *[MENU]*, *[UP]* or *[DOWN]* repeatedly until the display shows 'Soun'. Confirm with *[ENTER]*.

Use *[UP]* and *[DOWN]* to select the desired mode 'Sou1' or 'Sou2'. Confirm with *[ENTER]*.

Now you can adjust the sensitivity of the built-in microphone for sound control. Use *[Up]* and *[Down]* to select a value between 0 (low sensitivity) and 9 (high sensitivity), display shows 'Se0' ... 'Se9'.

### Dimmer settings

Press *[MENU]*, *[UP]* or *[DOWN]* repeatedly until the display shows 'Stat'. Confirm with *[ENTER]*.

Use *[UP]* and *[DOWN]* to select the fixed colour for which the dimmer setting should be adjusted:

- **BAT.PAR 6 RGBWA (item no. 385435):** Red, green, blue, white, amber
- **BAT.PAR 6 RGBUV (item no. 385457):** Red, green, blue, UV, speed strobe effect

Adjust the setting as desired in a range from 0 ... 255 (0 % to 100 %) and confirm with *[ENTER]* to switch to the next colour in the menu.

### Constant colour

Press *[MENU]*, *[UP]* or *[DOWN]* repeatedly until the display shows 'Colo'. Confirm with *[ENTER]*.

Use *[UP]* and *[DOWN]* to select a constant colour in a range from 'Col1' ... 'Col51'. Confirm with *[ENTER]*

**Operating mode Auto**

Press *[MENU]*, *[UP]* or *[DOWN]* repeatedly until the display shows 'Auto'. Confirm with *[ENTER]*.

Use *[UP]* and *[DOWN]* to select the desired mode 'Aut1', 'Aut2' or 'Aut3'. Confirm with *[ENTER]*.  
You can now set the program's speed between 'SP 1' and 'SP 9'.

**Device info**

Press *[MENU]*, *[UP]* or *[DOWN]* repeatedly until the display shows 'Info'. Confirm with *[ENTER]*.  
The display shows the current software version.

Use *[UP]* and *[DOWN]* to select the option 'tenP'. Confirm with *[ENTER]*. The display shows the current temperature of the device.

or

Use *[UP]* and *[DOWN]* to select the option 'uer'. Confirm with *[ENTER]*. The display shows the current software version.

**Operating mode Slave**

Press *[MENU]*, *[UP]* or *[DOWN]* repeatedly until the display shows 'SLav'. Confirm with *[ENTER]*.

The display shows 'Sla', the unit is now in Slave mode.

**DMX mode, BAT.PAR 6 RGBWA  
(item no. 385435)**

Press *[MENU]*, *[UP]* or *[DOWN]* repeatedly until the display shows 'Chnd'. Confirm with *[ENTER]*.

Now use *[UP]* or *[DOWN]* to select one of the following DMX operating modes:

- '1Ch' (one channel)
- '5Ch' (five channels)
- '7Ch' (seven channels)
- '8Ch' (eight channels)

Confirm by pressing *[ENTER]*.

### **DMX mode, BAT.PAR 6 RGBUV (item no. 385457)**

Press *[MENU]*, *[UP]* or *[DOWN]* repeatedly until the display shows 'Chnd'. Confirm with *[ENTER]*.

Now use *[UP]* or *[DOWN]* to select one of the following DMX operating modes:

- '1Ch' (one channel)
- '4Ch' (four channels)
- '6Ch' (six channels)
- '7Ch' (seven channels)

Confirm by pressing *[ENTER]*.

---

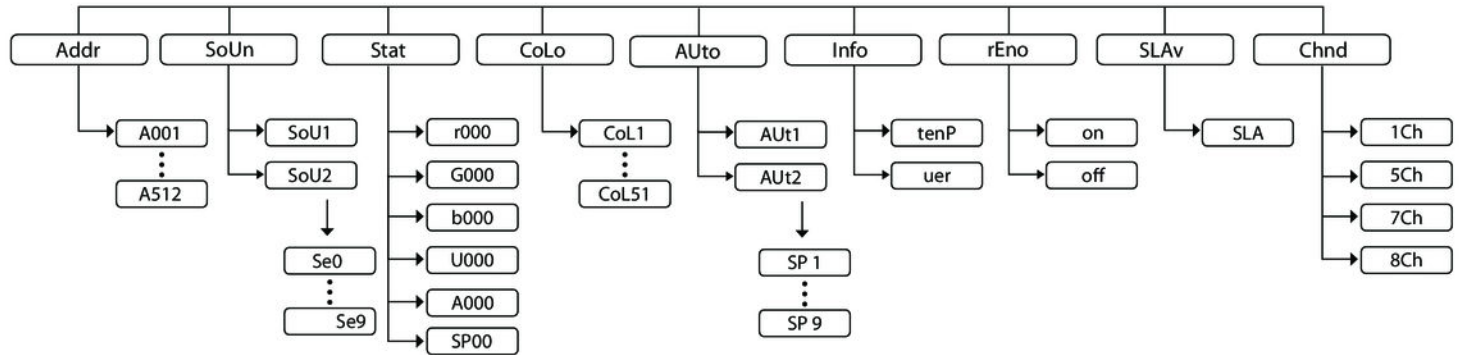
## 7.3 Operating via IR remote control

Press *[MENU]*, *[UP]* or *[DOWN]* repeatedly until the display shows 'reno'. Confirm with *[ENTER]*.

Use *[UP]* and *[DOWN]* to select the option 'on' to operate the unit via the IR remote control.  
Confirm with *[ENTER]*.

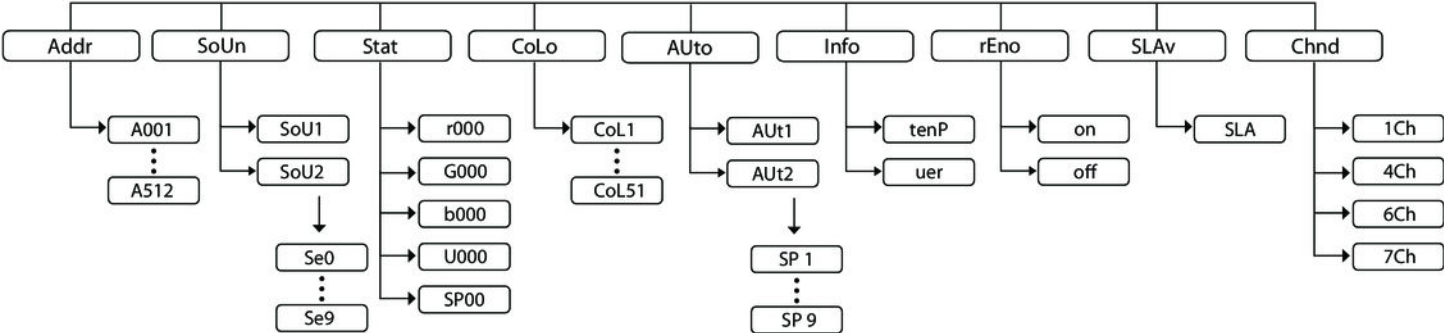
## 7.4 Menu overview

BAT.PAR 6 RGBWA (item no. 385435)





**BAT.PAR 6 RGBUV (item no. 385457)**



## 7.5 Functions in 1-channel DMX mode

Channel	Value	Function
1	0...255	Select colour macros 1 ... 51

## 7.6 Functions in 4-channel DMX mode

**BAT.PAR 6 RGBUV (item no. 385457)**

Channel	Value	Function
1	0...255	Intensity red (0 % to 100 %)
2	0...255	Intensity green (0 % to 100 %)
3	0...255	Intensity blue (0 % to 100 %)
4	0...255	Intensity UV light (0 % to 100 %)

## 7.7 Functions in 5-channel DMX mode

**BAT.PAR 6 RGBWA (item no. 385435)**

Channel	Value	Function
1	0...255	Intensity red (0 % to 100 %)
2	0...255	Intensity green (0 % to 100 %)
3	0...255	Intensity blue (0 % to 100 %)
4	0...255	Intensity white (0 % to 100 %)
5	0...255	Intensity amber (0 % to 100 %)

## 7.8 Functions in 6-channel DMX mode

### BAT.PAR 6 RGBUV (item no. 385457)

Channel	Value	Function
1	0...255	Master Dimmer (0 % to 100 %)
2	0...255	Intensity red (0 % to 100 %)
3	0...255	Intensity green (0 % to 100 %)
4	0...255	Intensity blue (0 % to 100 %)
5	0...255	Intensity UV light (0 % to 100 %)
6	0...255	Stroboscope effect (0 % to 100 %)

## 7.9 Functions in 7-channel DMX mode

### BAT.PAR 6 RGBWA (item no. 385435)

Channel	Value	Function
1	0...255	Master Dimmer (0 % to 100 %)
2	0...255	Intensity red (0 % to 100 %)
3	0...255	Intensity green (0 % to 100 %)
4	0...255	Intensity blue (0 % to 100 %)
5	0...255	Intensity white (0 % to 100 %)
6	0...255	Intensity amber (0 % to 100 %)
7	0...255	Stroboscope effect (0 % to 100 %)

## **BAT.PAR 6 RGBUV (item no. 385457)**

<b>Channel</b>	<b>Value</b>	<b>Function</b>
1	0...255	Master Dimmer (0 % to 100 %)
2	0...255	Intensity red (0 % to 100 %)
3	0...255	Intensity green (0 % to 100 %)
4	0...255	Intensity blue (0 % to 100 %)
5	0...255	Intensity UV light (0 % to 100 %)
6	0...15	No function
	16...31	Programme 1
	32...47	Programme 2
	48...63	Programme 3
	64...79	Programme 4
	80...95	Programme 5

Channel	Value	Function
	96...111	Programme 6
	112...127	Programme 7
	128...143	Programme 8
	144...159	Programme 9
	160...175	Programme 10
	176...191	Programme 11
	192...207	Programme 12
	208...223	Programme 13
	224...239	Sound mode 1
	240...255	Sound mode 2
7	0...255	Stroboscope effect (0 % to 100 %), if channel 6 = 0...15
		Program speed, if channel 6 = 16...223
		Microphone sensitivity, if channel 6 = 224...255

## 7.10 Functions in 8-channel DMX mode

### BAT.PAR 6 RGBWA (item no. 385435)

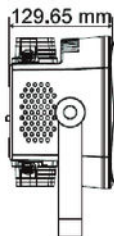
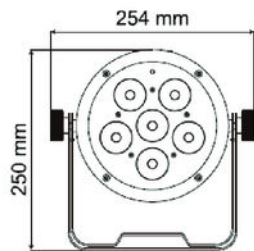
Channel	Value	Function
1	0...255	Master Dimmer (0 % to 100 %)
2	0...255	Intensity red (0 % to 100 %)
3	0...255	Intensity green (0 % to 100 %)
4	0...255	Intensity blue (0 % to 100 %)
5	0...255	Intensity white (0 % to 100 %)
6	0...255	Intensity amber (0 % to 100 %)
7	0...15	No function
	16...31	Programme 1
	32...47	Programme 2
	48...63	Programme 3



Channel	Value	Function
	64...79	Programme 4
	80...95	Programme 5
	96...111	Programme 6
	112...127	Programme 7
	128...143	Programme 8
	144...159	Programme 9
	160...175	Programme 10
	176...191	Programme 11
	192...207	Programme 12
	208...223	Programme 13
	224...239	Sound mode 1
	240...255	Sound mode 2
8	0...255	Stroboscope effect (0 % to 100 %), if channel 6 = 0...15

Channel	Value	Function
		Program speed, if channel 6 = 16...223
		Microphone sensitivity, if channel 6 = 224...255

## 8 Technical specifications



	<b>BAT.PAR 6 RGBWA (Item no. 385435)</b>	<b>BAT.PAR 6 RGBUV (Item no. 385457)</b>
LEDs	6 × RGBWA, each 8 W	6 × RGBUV, each 8 W
Number of DMX channels	1, 5, 7, 8	1, 4, 6, 7
Dispersion angle	25 °	
Operating voltage supply	100 – 240 V ~ 50/60 Hz	
	Replaceable battery pack, item no. 385488 (lithium-ion battery, 10.8 V, 1500 mAh)	
Fuse	5 mm × 20 mm, 5 A, fast blow	
Operating time after a battery charging	max. 5 h	
Power consumption	48 W	

	<b>BAT.PAR 6 RGBWA (Item no. 385435)</b>	<b>BAT.PAR 6 RGBUV (Item no. 385457)</b>
Dimensions (W × H × D)	250 mm × 254 mm × 130 mm	
Weight	2 kg	

## 9 Plug and connection assignments

### Introduction

This chapter will help you select the right cables and plugs to connect your valuable equipment so that a perfect light experience is guaranteed.

Please take our tips, because especially in 'Sound & Light' caution is indicated: Even if a plug fits into a socket, the result of an incorrect connection may be a destroyed DMX controller, a short circuit or 'just' a not working light show!

### DMX connections

The unit offers a 3-pin XLR socket for DMX output and a 3-pin XLR plug for DMX input. Please refer to the drawing and table below for the pin assignment of a suitable XLR plug.



Pin	Configuration
1	Ground, shielding
2	Signal inverted (DMX-, 'cold signal')
3	Signal (DMX+, 'hot signal')

## 10 Troubleshooting



### **NOTICE!**

#### **Possible data transmission errors**

For error-free operation make use of dedicated DMX cables and do not use ordinary microphone cables.

Never connect the DMX input or output to audio devices such as mixers or amplifiers.

In the following we list a few common problems that may occur during operation. We give you some suggestions for easy troubleshooting:

Symptom	Remedy
Device not working, no light	Check the mains connection and the main fuse.
Not responding to DMX controller	1. Check the DMX connectors and cables to see if they are properly linked.
	2. Check the address settings and the DMX polarity.
	3. Try using another DMX controller.
	4. Check whether the DMX cables run near or parallel to high-voltage cables that may cause damage or interference to the DMX interface circuit.
The built-in battery can no longer be recharged	Do not attempt to replace the built-in battery yourself. Please contact our service centre.

If the procedures recommended above do not succeed, please contact our Service Center. You can find the contact information at [www.thomann.de](http://www.thomann.de).



# 11 Cleaning

## Optical lenses

Clean the optical lenses, that are accessible from the outside, regularly in order to optimize the light output. The frequency of cleaning depends on the operating environment: wet, smoky or particularly dirty surroundings can cause more accumulation of dirt on the optics of the device.

- Clean with a soft cloth using our lamp and lens cleaner (item no. 280122).
- Always dry the parts carefully.

## Fan grids

The fan grids of the device must be cleaned on a regular basis to remove dust and dirt. Before cleaning, switch off the device and disconnect AC-powered devices from the mains. Use a lint-free damp cloth for cleaning. Never use solvents or alcohol for cleaning.

## 12 Protecting the environment

### Disposal of the packaging material



For the packaging, environmentally friendly materials have been chosen that can be supplied to normal recycling.

Ensure that plastic bags, packaging, etc. are properly disposed of.

Do not just dispose of these materials with your normal household waste, but make sure that they are collected for recycling. Please follow the notes and markings on the packaging.

### Disposal of batteries



Batteries do contain some hazardous chemicals so they should not be thrown away with the normal household waste. They should be returned to the manufacturer for disposal or recycled elsewhere in accordance with your local regulations.

Remove lithium batteries from the device before disposal. Protect used lithium batteries against short circuit, for example by taping the poles.

### Disposal of your old device



This product is subject to the European Waste Electrical and Electronic Equipment Directive (WEEE) in its currently valid version. Do not dispose with your normal household waste.

Dispose of this device through an approved waste disposal firm or through your local waste facility. When discarding the device, comply with the rules and regulations that apply in your country. If in doubt, consult your local waste disposal facility.









