



  
STAIRVILLE

Pixel Beam 160 RGBW  
16x10W  
moving head

Musikhaus Thomann  
Thomann GmbH  
Hans-Thomann-Straße 1  
96138 Burgebrach  
Deutschland  
Telephone: +49 (0) 9546 9223-0  
E-mail: [info@thomann.de](mailto:info@thomann.de)  
Internet: [www.thomann.de](http://www.thomann.de)

11.10.2017, ID: 387388 (V3)

# Table of contents

<b>1</b>	<b>General notes</b> .....	<b>5</b>
	1.1 Further information.....	6
	1.2 Notational conventions.....	7
	1.3 Symbols and signal words.....	8
<b>2</b>	<b>Safety instructions</b> .....	<b>10</b>
<b>3</b>	<b>Features</b> .....	<b>17</b>
<b>4</b>	<b>Installation</b> .....	<b>18</b>
<b>5</b>	<b>Starting up</b> .....	<b>25</b>
<b>6</b>	<b>Connections and controls</b> .....	<b>28</b>
<b>7</b>	<b>Operating</b> .....	<b>33</b>
	7.1 Main menu.....	35
	7.2 Menu overview.....	44
	7.3 Functions in 9-channel DMX mode.....	46
	7.4 Functions in 16-channel DMX mode.....	48
	7.5 Functions in 72-channel DMX mode.....	51

<b>8</b>	<b>Technical specifications.....</b>	<b>59</b>
<b>9</b>	<b>Plug and connection assignment.....</b>	<b>61</b>
<b>10</b>	<b>Troubleshooting.....</b>	<b>63</b>
<b>11</b>	<b>Cleaning.....</b>	<b>65</b>
<b>12</b>	<b>Protecting the environment.....</b>	<b>66</b>

# 1 General notes

This manual contains important instructions for the safe operation of the unit. Read and follow the safety instructions and all other instructions. Keep the manual for future reference. Make sure that it is available to all those using the device. If you sell the unit please make sure that the buyer also receives this manual.

Our products are subject to a process of continuous development. Thus, they are subject to change.

## 1.1 Further information

On our website ([www.thomann.de](http://www.thomann.de)) you will find lots of further information and details on the following points:

Download	This manual is also available as PDF file for you to download.
Keyword search	Use the search function in the electronic version to find the topics of interest for you quickly.
Online guides	Our online guides provide detailed information on technical basics and terms.
Personal consultation	For personal consultation please contact our technical hotline.
Service	If you have any problems with the device the customer service will gladly assist you.

## 1.2 Notational conventions

This manual uses the following notational conventions:

### Letterings

The letterings for connectors and controls are marked by square brackets and italics.

**Examples:** *[VOLUME]* control, *[Mono]* button.


### Displays

Texts and values displayed on the device are marked by quotation marks and italics.

**Examples:** *'24ch'*, *'OFF'*.

### Cross-references

References to other locations in this manual are identified by an arrow and the specified page number. In the electronic version of the manual, you can click the cross-reference to jump to the specified location.




Example: See  *'Cross-references'* on page 7.

### 1.3 Symbols and signal words

In this section you will find an overview of the meaning of symbols and signal words that are used in this manual.

Signal word	Meaning
<b>DANGER!</b>	This combination of symbol and signal word indicates an immediate dangerous situation that will result in death or serious injury if it is not avoided.
<b>WARNING!</b>	This combination of symbol and signal word indicates a possible dangerous situation that can result in death or serious injury if it is not avoided.
<b>CAUTION!</b>	This combination of symbol and signal word indicates a possible dangerous situation that can result in minor injury if it is not avoided.
<b>NOTICE!</b>	This combination of symbol and signal word indicates a possible dangerous situation that can result in material and environmental damage if it is not avoided.



Warning signs	Type of danger
 A yellow triangular warning sign with a black border and a black lightning bolt symbol in the center, indicating high voltage.	Warning – high-voltage.
 A yellow triangular warning sign with a black border and a black symbol of a person standing on a suspended platform or load, indicating a suspended load.	Warning – suspended load.
 A yellow triangular warning sign with a black border and a black exclamation mark in the center, indicating a general danger or hazard.	Warning – danger zone.

## 2 Safety instructions

### **Intended use**

This device is intended to be used as moving-head spotlight. The device is designed for professional use and is not suitable for use in households. Use the device only as described in this user manual. Any other use or use under other operating conditions is considered to be improper and may result in personal injury or property damage. No liability will be assumed for damages resulting from improper use.

This device may be used only by persons with sufficient physical, sensorial, and intellectual abilities and having corresponding knowledge and experience. Other persons may use this device only if they are supervised or instructed by a person who is responsible for their safety.

**Safety****DANGER!****Danger for children**

Ensure that plastic bags, packaging, etc. are disposed of properly and are not within reach of babies and young children. Choking hazard!

Ensure that children do not detach any small parts (e.g. knobs or the like) from the unit. They could swallow the pieces and choke!

Never let children unattended use electrical devices.

**DANGER!****Electric shock caused by high voltages inside**

Within the device there are areas where high voltages may be present. Never remove any covers.

There are no user-serviceable parts inside.

Do not use the device if covers, protectors or optical components are missing or damaged.



### **DANGER!**

#### **Electric shock caused by short-circuit**

Always use proper ready-made insulated mains cabling (power cord) with a protective contact plug. Do not modify the mains cable or the plug. Failure to do so could result in electric shock/death or fire. If in doubt, seek advice from a registered electrician.



### **WARNING!**

#### **Eye damage caused by high light intensity**

Never look directly into the light source.



### **WARNING!**

#### **Risk of epileptic shock**

Strobe lighting can trigger seizures in photosensitive epilepsy. Sensitive persons should avoid looking at strobe lights.



**WARNING!**

**Risk of injury caused by falling objects**

Make sure that the installation complies with the standards and rules that apply in your country. Always secure the device with a secondary safety attachment, such as a safety cable or a safety chain.

The load capacity of trusses or other fixtures must be sufficient for the intended number of devices. Note that the movement of the head places additional loads on the load-bearing parts.



### **CAUTION!**

#### **Risk of injury due to movements of the device**

The head of the device can move quickly (pan, tilt) and can produce very bright light. This is also valid immediately after you turn on the device, when the device operates in automatic mode or under remote control and when you turn off a DMX controller that is connected to the device. Persons staying near the device could be injured or frightened.

Before you turn on the device and during the operation, always ensure that nobody stays close to the device. If work has to be performed in the area of movement or in the near vicinity of the device, it must remain turned off.



### **NOTICE!**

#### **Risk of fire**

Do not block areas of ventilation. Do not install the device near any direct heat source. Keep the device away from naked flames.



**NOTICE!**

**Operating conditions**

This device has been designed for indoor use only. To prevent damage, never expose the device to any liquid or moisture. Avoid direct sunlight, heavy dirt, and strong vibrations.

The device must not be moved while it is in use.



**NOTICE!**

**Power supply**

Before connecting the device, ensure that the input voltage (AC outlet) matches the voltage rating of the device and that the AC outlet is protected by a residual current circuit breaker. Failure to do so could result in damage to the device and possibly injure the user.

Unplug the device before electrical storms occur and when it is unused for long periods of time to reduce the risk of electric shock or fire.



### **NOTICE!**

#### **Possible staining**

The plasticiser contained in the rubber feet of this product may possibly react with the coating of your parquet, linoleum, laminate or PVC floor and after some time cause permanent dark stains.

In case of doubt, do not put the rubber feet directly on the floor, but use felt-pad floor protectors or a carpet.



### 3 Features

- LED matrix panel consisting of 16 × 4-in-1 separately controllable quad-colour LEDs (RGBW, 10 watt each)
- Continuous PAN and TILT movement
- Control via DMX (3 different channels) and via buttons, jog wheel and high-resolution colour display on the device
- Pre-programmed automatic shows
- Sound control
- Stand alone mode
- Master/Slave mode
- Lockable connectors (Power Twist) for self-supply and for supplying further devices
- Electronic overheating protection
- Suitable for wall/traverse mounting
- Automatic rotation of the display for overhead installation

## 4 Installation

Unpack and carefully check that there is no transportation damage before using the unit. Keep the equipment packaging. To fully protect the device against vibration, dust and moisture during transportation or storage use the original packaging or your own packaging material suitable for transport or storage, respectively.

Lift the device only at the base. When lifted at the rotatable mounting, the device may be damaged.

You can install the device standing or hanging. When in use, the device must be mounted at a solid surface or clamped to an approved truss.

Work from a stable platform whenever you install or move the device or when you perform any kind of maintenance. Block access under the work area.

**WARNING!****Risk of injury caused by falling objects**

Make sure that the installation complies with the standards and rules that apply in your country. Always secure the device with a secondary safety attachment, such as a safety cable or a safety chain.

The load capacity of trusses or other fixtures must be sufficient for the intended number of devices. Note that the movement of the head places additional loads on the load-bearing parts.



### **CAUTION!**

#### **Risk of injury due to movements of the device**

The head of the device can move quickly (pan, tilt) and can produce very bright light. This is also valid immediately after you turn on the device, when the device operates in automatic mode or under remote control and when you turn off a DMX controller that is connected to the device. Persons staying near the device could be injured or frightened.

Before you turn on the device and during the operation, always ensure that nobody stays close to the device. If work has to be performed in the area of movement or in the near vicinity of the device, it must remain turned off.



### **NOTICE!**

#### **Risk of overheating**

Always ensure sufficient ventilation.

The ambient temperature must always be below 40 °C (104 °F).



**NOTICE!**

**Possible damage caused by movements of the device**

Always ensure that enough space is free around the device for the movements of the head (pan, tilt).



**NOTICE!**

**Possible data transmission errors**

For error-free operation make use of dedicated DMX cables and do not use ordinary microphone cables.

Never connect the DMX input or output to audio devices such as mixers or amplifiers.



### **NOTICE!**

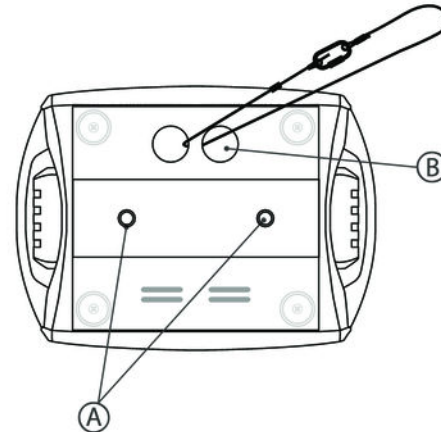
#### **Possible staining**

The plasticiser contained in the rubber feet of this product may possibly react with the coating of your parquet, linoleum, laminate or PVC floor and after some time cause permanent dark stains.

In case of doubt, do not put the rubber feet directly on the floor, but use felt-pad floor protectors or a carpet.

**Mounting options**

The quick lock openings on the housing bottom are used for secure attachment of Omega brackets. To these, the flight adapters (Half Coupler, Trigger Clamps, C-hooks, etc.) are attached. The safety cable must be routed through the cut-outs on the bottom of the housing.



- |   |                           |
|---|---------------------------|
| A | Quick-lock openings       |
| B | Openings for safety cable |

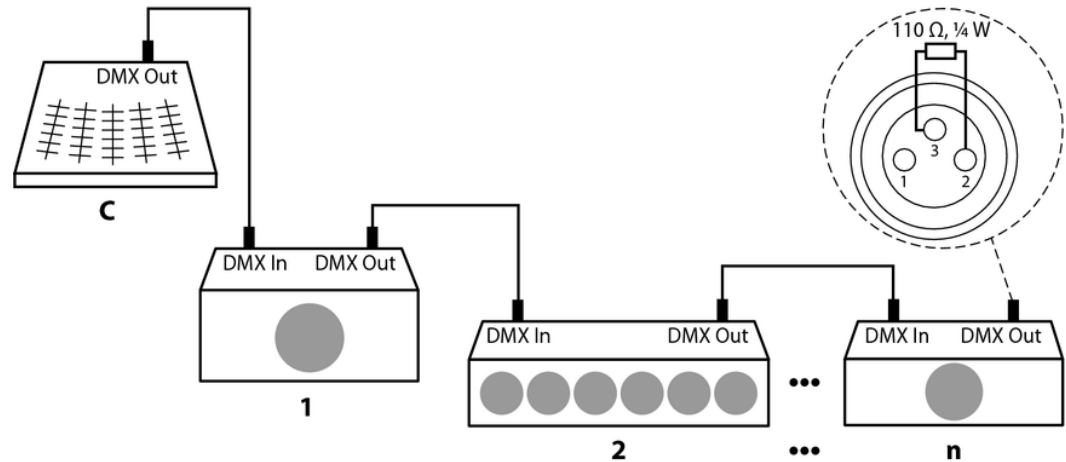


## 5 Starting up

Create all connections while the device is off. Use the shortest possible high-quality cables for all connections. Take care when running the cables to prevent tripping hazards.

### Connections in DMX mode

Connect the DMX input of the device to the DMX output of a DMX controller or another DMX device. Connect the output of the first DMX device to the input of the second one, and so on to form a daisy chain. Always ensure that the output of the last DMX device in the daisy chain is terminated with a resistor ( $110\ \Omega$ ,  $\frac{1}{4}\text{ W}$ ).



**DMX indicator**

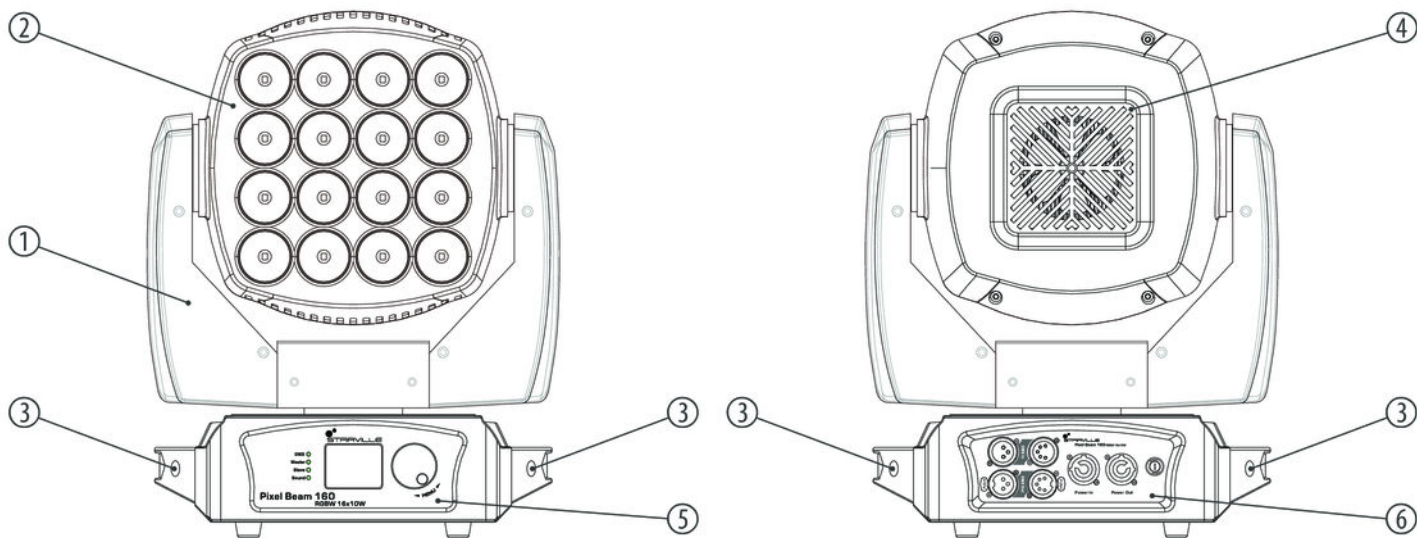
When the device and the DMX controller are operational, the DMX indicator in the display shows that a DMX signal is being received on the input.

**Connections in master/slave mode**

When you configure a group of devices in master/slave mode, the first unit will control the other units for an automatic, sound-activated, synchronized show. This function is ideal when you want to start a show immediately. Connect the DMX output of the master device to the DMX input of the first slave device. Then connect the DMX output of the first slave device to the DMX input of the second slave device and so on.

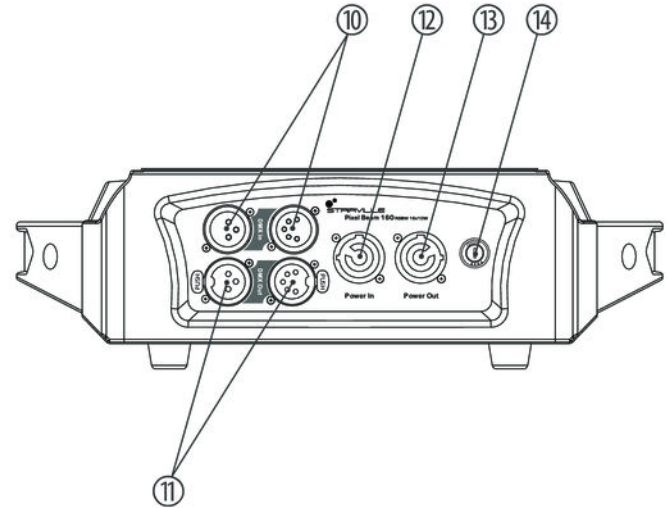
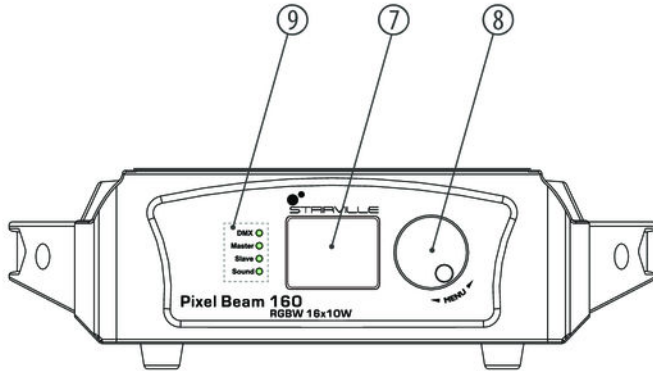
## 6 Connections and controls

### Overview



1	Moving head.
2	LEDs
3	Handles
4	Fan grids
5	Operating panel with display.
6	Connection panel with power supply, fuse holder and DMX ports.

**Control panel, connection panel**



7	Display. Displays the selected mode or the selected menu item. On the bottom line the selected DMX mode and the device temperature are permanently displayed.
8	<i>[MENU]</i> Jog wheel to select a menu item or a value by turning and confirm the selection by pressing.
9	Control LEDs: <ul style="list-style-type: none"> <li>■ <i>[DMX]</i>: The green LED lights up when a DMX controller is connected and flashes when DMX data is transmitted.</li> <li>■ <i>[Master]</i>: The green LED lights up when the device is configured as "master". The green LED lights up.</li> <li>■ <i>[Slave]</i>: The green LED lights up when the device is configured as "slave".</li> <li>■ <i>[Sound]</i>: The green LED lights up when the built-in microphone picks up a signal for the music control.</li> </ul> The indicator LEDs go out automatically when the display is turned off.
10	<i>[DMX In]</i> DMX input, 3 and 5-pin.

11	<i>[DMX Out]</i> DMX output, 3 and 5-pin.
12	<i>[Power In]</i> Lockable input socket (Power Twist) for power supply.
13	<i>[Power Out]</i> Lockable output socket (Power Twist).
14	<i>[FUSE]</i> Fuse holder. If the fuse blows, replace it with a new fuse of the same type. You must first disconnect the device from the power supply.



## 7 Operating



### **CAUTION!**

#### **Risk of injury due to movements of the device**

The head of the device can move quickly (pan, tilt) and can produce very bright light. This is also valid immediately after you turn on the device, when the device operates in automatic mode or under remote control and when you turn off a DMX controller that is connected to the device. Persons staying near the device could be injured or frightened.

Before you turn on the device and during the operation, always ensure that nobody stays close to the device. If work has to be performed in the area of movement or in the near vicinity of the device, it must remain turned off.

Connect the device to the power supply to start operation. After a few seconds, the fans start to work, the head moves to the home positions for rotation (pan) and inclination (tilt), the screen displays a start message. After a few more seconds, the device operates in the last set mode.

If you don't use the jog wheel for about 20 seconds, the current setting will be automatically cancelled and the display turned off. The set values are retained even when the device is disconnected from the mains power supply.

## 7.1 Main menu

Press the jog wheel to activate the main menu. Turn the jog wheel to select a sub-menu. When the desired menu is highlighted in the display, press the jog wheel again to enter the sub-menu. To close a menu without saving changes, select the menu item 'Exit' or wait 20 seconds.



*As soon as you activate the main menu, the DMX control and a currently running automatic show are being interrupted. The movable head of the unit moves to its home position.*

*If you close the main menu without making changes, the unit continues to operate with the previous settings.*

All previous settings are retained even when you disconnect the device from the mains. To restart with default values, use the function 'Factory Sets' (↩ 'Loading default settings' on page 42).

### DMX address

Select '*DMX Address*' from the main menu. Turn the jog wheel to adjust the number of the first DMX channel (DMX address) used by the device. Select a value between 1 and 512. This setting is only relevant if the device is being controlled via DMX.

Once the display shows the desired value, press the jog wheel button to confirm the setting and close the menu.

Make sure that the DMX address matches the configuration of your DMX controller. The following table shows the highest possible DMX address for the different DMX modes.

Mode	Highest possible DMX address
9-channel	504
16-channel	497
72-channel	441

**Operating mode 'DMX'**

Select '*Channel Mode*' from the main menu. By turning the jog wheels you can now choose between the following DMX operating modes: 9-channel, 16-channel or 72-channel. This setting is only relevant if the device is being controlled via DMX.

Once the display shows the desired value, press the jog wheel button to confirm the setting and close the menu.

**Auto show**

Select '*Show Mode*' from the main menu. By turning the jog wheel you can now choose between two different automatic shows. The selected show will start immediately.

Automatic mode is only relevant if the device is operating alone or is the master in a master/slave configuration and is not controlled via DMX.

Once the display shows the desired value, press the jog wheel button to confirm the setting and close the menu.

### Manual settings

Select *'Manual Control'* from the main menu. By turning the jog wheel you can now choose which option you wish to set:

- *'Pan'* : Values between 0 and 127 rotate the head in a fixed position between 0° and 540°. Values between 128 and 255 start continuous rotation. Values from 128 to 191 cause a clockwise rotation whose speed decreases with increasing values, and values from 192 to 255 cause an anti-clockwise rotation whose speed increases with increasing values.
- *'Tilt'* : Values between 0 and 127 tilt the head in a fixed position between 0° and 270°. Values between 128 and 255 start continuous tilting. Values from 128 to 191 cause a clockwise movement whose speed decreases with increasing values, and values from 192 to 255 cause an anti-clockwise movement whose speed increases with increasing values.
- *'Red'* , *'Blue'* , *'Green'* , *'White'* : Values between 0 and 255 control the intensity of the respective colour LEDs, from switched off (0) to full brightness (255).
- *'Strobe'* : Values between 1 and 255 cause a strobe effect with increasing speed. With a value of 0 the strobe effect is switched off (continuous light).

Manual settings are only relevant if the device is operating alone or is the master in a master/slave configuration and is not controlled via DMX.

### Operating mode 'Slave'

Select *'Slave Mode'* from the main menu. By turning the jog wheel you can now choose between *'Slave1'* and *'Slave2'*. When set to *'Slave1'*, the device follows the device that is configured as the "master" exactly, when set to *'Slave2'*, the movement directions are reversed.

This setting is only relevant if the device is the slave in a master/slave configuration and is not controlled via DMX.

Once the display shows the desired value, press the jog wheel button to confirm the setting and close the menu.

### Sound control

Select *'Sound Control'* from the main menu. By turning the jog wheel you can now switch between *'On'* (start music-controlled automatic show), *'Off'* (end music-controlled automatic show), *'Sose'* (set the microphone sensitivity) and *'Exit'* (no action). When setting the sensitivity, a value of 0 means that the integrated microphone is turned off. A value of 255 sets the highest possible sensitivity level.

The music control is only relevant if the device is the master in a master/slave configuration and is not controlled via DMX.

### **Pan reversal**

Select *'Pan Inverse'* from the main menu. By turning the jog wheel you can now select between *'No'* (normal rotation direction) and *'Yes'* (inverted rotation direction).

Once the display shows the desired value, press the jog wheel button to confirm the setting and close the menu.

### **Tilt reversal**

Select *'Tilt Inverse'* from the main menu. By turning the jog wheel you can now select between *'No'* (normal inclination direction) and *'Yes'* (inverted inclination direction).

Once the display shows the desired value, press the jog wheel button to confirm the setting and close the menu.

### **DMX reset**

Select *'DMX Clear'* from the main menu. By turning the jog wheel you can now select between *'No'* (no reset) and *'Yes'* (reset possible via DMX).

Once the display shows the desired option, press the jog wheel to confirm the setting and close the menu.



**Display reversal**

Select *'Display Rotate'* from the main menu. By turning the jog wheel, you can now select between *'Auto'* (automatic rotation of the display for overhead installation), *'Normal'* (normal display) and *'Inverted'* (the display is inverted for overhead installation).

Once the display shows the desired value, press the jog wheel button to confirm the setting and close the menu.

**Brightness and running time of the display**

Select *'Back Light'* from the main menu. By turning the jog wheel, you can now select between *'On'* (display permanently switched on), *'Off'* (switches off the display if no key is pressed for 15 seconds) and *'Adjust'* (adjust the display brightness). When adjusting the brightness, a value of 1 is the lowest and a value of 10 is the maximum brightness level.

Once the display shows the desired value, press the jog wheel button to confirm the setting and close the menu.

**Software version**

Select *'Version'* from the main menu. The software version of the device will now appear on the display.

To cancel the display of the software version, press the jog wheel or wait 20 seconds.

### **Loading default settings**

Select *'Factory Sets'* from the main menu. By turning the jog wheel you can now select between *'No'* (no action) and *'Yes'* (reset all values to factory settings).

Once the display shows the desired option, press the jog wheel to confirm the setting and close the menu.

### **System reset**

Select *'Reset'* from the main menu. By turning the jog wheel you can now select between *'No'* (no action) and *'Yes'* (reset all moving axes to their starting positions).

Once the display shows the desired option, press the jog wheel to confirm the setting and close the menu.

### **Calibration**

Select *'Calibrations'* from the main menu. By turning the jog wheel, you can now select between *'Pan'* (calibrate the starting position for the rotation), *'Tilt'* (calibrate the starting position for the tilt), *'Default'* (reset to defaults) and *'Exit'* (no action). During calibration, the range of values from 0 to 255 allows fine adjustment of the initial positions for pan and tilt.

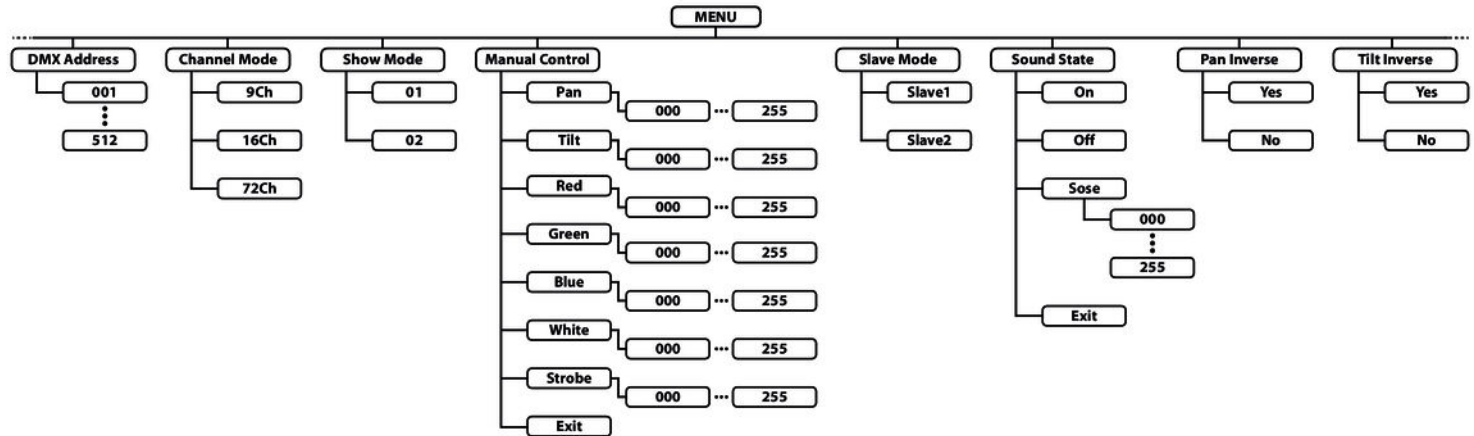
Once the display shows the desired option, press the jog wheel to confirm the setting and close the menu.

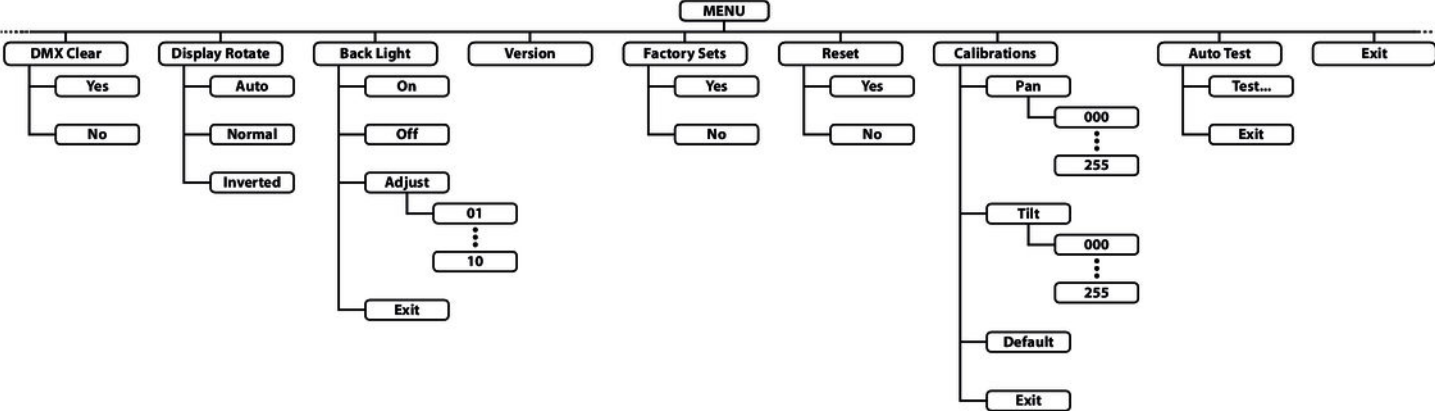
**Self-test**

Select '*Auto Test*' from the main menu. By turning the jog wheel you can now choose between '*Test...*' (starts self-test) and '*Exit*' (cancels self-test).

Once the display shows the desired option, press the jog wheel to confirm the setting and close the menu.

## 7.2 Menu overview





## 7.3 Functions in 9-channel DMX mode

Channel	Value	Function
1	Rotation (pan)	
	0...127	Fixed position (0° to 540°)
	128...191	Continuous clockwise rotation, speed decreasing
	192...255	Continuous anti-clockwise rotation, speed increasing
2	Inclination (tilt)	
	0...127	Fixed position (0° to 270°)
	128...191	Continuous clockwise tilt movement, speed decreasing
	192...255	Continuous anti-clockwise tilt movement, speed increasing
3	0...255	Dimmer (0 % to 100 %)
4	0...255	Intensity red (0 % to 100 %), all LEDs together
5	0...255	Intensity green (0 % to 100 %), all LEDs together

Channel	Value	Function
6	0...255	Intensity blue (0 % to 100 %), all LEDs together
7	0...255	Intensity blue (0 % to 100 %), all LEDs together
8	Strobe effect	
	0...6	Strobe effect off
	7...128	Strobe effect, increasing speed
	129...255	Strobe effect, random speed
9	Reset	
	0...9	No function
	10...20	Reset
	21...255	No function

## 7.4 Functions in 16-channel DMX mode

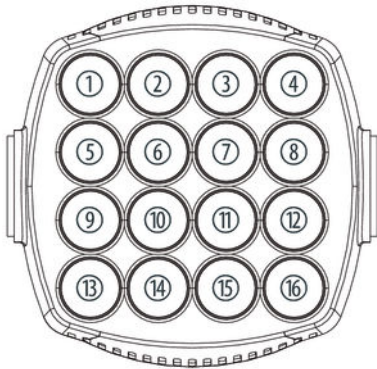
Channel	Value	Function
1	0...255	Rotation (pan), fixed position (0° to 540°)
2	0...255	Fine adjustment for rotation (pan)
3	0...255	Inclination (tilt), fixed position (0° to 270°)
4	0...255	Fine adjustment for inclination (tilt)
5	0...255	Speed of rotation (pan) and inclination (tilt), fast to slow
6	0...15	No movement
	16...135	Continuous clockwise rotation, speed decreasing
	136...255	Continuous anti-clockwise rotation, speed increasing
7	0...15	No movement
	16...135	Continuous clockwise tilt movement, speed decreasing
	136...255	Continuous anti-clockwise tilt movement, speed increasing



Channel	Value	Function
8	0...255	Dimmer (0 % to 100 %)
9	0...255	Intensity red (0 % to 100 %), all LEDs together
10	0...255	Intensity green (0 % to 100 %), all LEDs together
11	0...255	Intensity blue (0 % to 100 %), all LEDs together
12	0...255	Intensity white (0 % to 100 %), all LEDs together
13	Strobe effect	
	0...6	Strobe effect off
	7...128	Strobe effect, increasing speed
	129...255	Strobe effect, random speed
14	Auto show	
	0...15	Without function
	16...55	Show No. 1
	56...95	Show No. 2

Channel	Value	Function
	96...135	Show No. 3
	136...175	Show No. 4
	176...215	Show No. 5
	216...255	Show No. 6
15	0...255	Speed of the automatic show, if channel 14 = 16...255)
16	Reset	
	0...9	No function
	10...20	Reset
	21...255	No function

## 7.5 Functions in 72-channel DMX mode



The adjacent figure shows the numbering of the individually controllable LEDs.

Channel	Value	Function
1	0...255	Rotation (pan), fixed position (0° to 540°)
2	0...255	Fine adjustment for rotation (pan)
3	0...255	Inclination (tilt), fixed position (0° to 270°)
4	0...255	Fine adjustment for inclination (tilt)
5	0...255	Speed of rotation (pan) and inclination (tilt), fast to slow
6	0...15	No movement
	16...135	Continuous clockwise rotation, speed decreasing
	136...255	Continuous anti-clockwise rotation, speed increasing
7	0...15	No movement
	16...135	Continuous clockwise tilt movement, speed decreasing
	136...255	Continuous anti-clockwise tilt movement, speed increasing
8	0...255	Intensity Red (0 % to 100 %), LED 1
9	0...255	Intensity Green (0 % to 100 %), LED 1

Channel	Value	Function
10	0...255	Intensity Blue (0 % to 100 %), LED 1
11	0...255	Intensity White (0 % to 100 %), LED 1
12	0...255	Intensity Red (0 % to 100 %), LED 2
13	0...255	Intensity Green (0 % to 100 %), LED 2
14	0...255	Intensity Blue (0 % to 100 %), LED 2
15	0...255	Intensity White (0 % to 100 %), LED 2
16	0...255	Intensity Red (0 % to 100 %), LED 3
17	0...255	Intensity Green (0 % to 100 %), LED 3
18	0...255	Intensity Blue (0 % to 100 %), LED 3
19	0...255	Intensity White (0 % to 100 %), LED 3
20	0...255	Intensity Red (0 % to 100 %), LED 4
21	0...255	Intensity Green (0 % to 100 %), LED 4
22	0...255	Intensity Blue (0 % to 100 %), LED 4

Channel	Value	Function
23	0...255	Intensity White (0 % to 100 %), LED 4
24	0...255	Intensity Red (0 % to 100 %), LED 5
25	0...255	Intensity Green (0 % to 100 %), LED 5
26	0...255	Intensity Blue (0 % to 100 %), LED 5
27	0...255	Intensity White (0 % to 100 %), LED 5
28	0...255	Intensity Red (0 % to 100 %), LED 6
29	0...255	Intensity Green (0 % to 100 %), LED 6
30	0...255	Intensity Blue (0 % to 100 %), LED 6
31	0...255	Intensity White (0 % to 100 %), LED 6
32	0...255	Intensity Red (0 % to 100 %), LED 7
33	0...255	Intensity Green (0 % to 100 %), LED 7
34	0...255	Intensity Blue (0 % to 100 %), LED 7
35	0...255	Intensity White (0 % to 100 %), LED 7

Channel	Value	Function
36	0...255	Intensity Red (0 % to 100 %), LED 8
37	0...255	Intensity Green (0 % to 100 %), LED 8
38	0...255	Intensity Blue (0 % to 100 %), LED 8
39	0...255	Intensity White (0 % to 100 %), LED 8
40	0...255	Intensity Red (0 % to 100 %), LED 9
41	0...255	Intensity Green (0 % to 100 %), LED 9
42	0...255	Intensity Blue (0 % to 100 %), LED 9
43	0...255	Intensity White (0 % to 100 %), LED 9
44	0...255	Intensity Red (0 % to 100 %), LED 10
45	0...255	Intensity Green (0 % to 100 %), LED 10
46	0...255	Intensity Blue (0 % to 100 %), LED 10
47	0...255	Intensity White (0 % to 100 %), LED 10
48	0...255	Intensity Red (0 % to 100 %), LED 11

Channel	Value	Function
49	0...255	Intensity Green (0 % to 100 %), LED 11
50	0...255	Intensity Blue (0 % to 100 %), LED 11
51	0...255	Intensity White (0 % to 100 %), LED 11
52	0...255	Intensity Red (0 % to 100 %), LED 12
53	0...255	Intensity Green (0 % to 100 %), LED 12
54	0...255	Intensity Blue (0 % to 100 %), LED 12
55	0...255	Intensity White (0 % to 100 %), LED 12
56	0...255	Intensity Red (0 % to 100 %), LED 13
57	0...255	Intensity Green (0 % to 100 %), LED 13
58	0...255	Intensity Blue (0 % to 100 %), LED 13
59	0...255	Intensity White (0 % to 100 %), LED 13
60	0...255	Intensity Red (0 % to 100 %), LED 14
61	0...255	Intensity Green (0 % to 100 %), LED 14

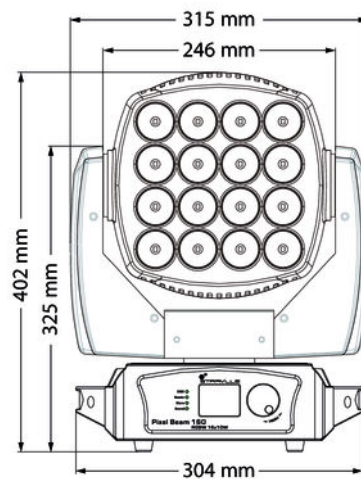
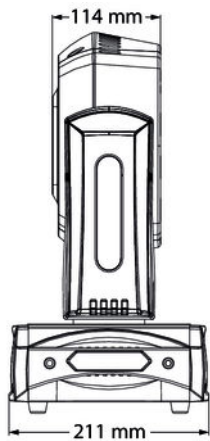


Channel	Value	Function
62	0...255	Intensity Blue (0 % to 100 %), LED 14
63	0...255	Intensity White (0 % to 100 %), LED 14
64	0...255	Intensity Red (0 % to 100 %), LED 15
65	0...255	Intensity Green (0 % to 100 %), LED 15
66	0...255	Intensity Blue (0 % to 100 %), LED 15
67	0...255	Intensity White (0 % to 100 %), LED 15
68	0...255	Intensity Red (0 % to 100 %), LED 16
69	0...255	Intensity Green (0 % to 100 %), LED 16
70	0...255	Intensity Blue (0 % to 100 %), LED 16
71	0...255	Intensity White (0 % to 100 %), LED 16
72	Reset	
	0...9	No function

Channel	Value	Function
	10...20	Reset
	21...255	No function

## 8 Technical specifications

Number of DMX channels	depending on mode 9, 16 or 72 channels
Light source	16 four-colour LEDs (RGBW, 10 W each)
Beam angle	8°
Maximum rotation angle (pan)	540° or endless
Maximum inclination angle (tilt)	270° or endless
Dimmer	electronic, 0 ... 100 %
Operating supply voltage	100 - 240 V ~ 50/60 Hz
Power consumption	213 W
Fuse	5 mm × 20 mm, 4.0 A, 250 V, slow-blow
Dimensions (W × H × D)	315 mm × 402 mm × 211 mm (25.12in. × 26.14in. × 4.48in.)
Weight	8.4 kg



## 9 Plug and connection assignment

### Introduction

This chapter will help you select the right cables and plugs to connect your valuable equipment so that a perfect light experience is guaranteed.

Please take our tips, because especially in 'Sound & Light' caution is indicated: Even if a plug fits into a socket, the result of an incorrect connection may be a destroyed DMX controller, a short circuit or 'just' a not working light show!

### DMX connections



The unit offers a 3-pin XLR socket for DMX output and a 3-pin XLR plug for DMX input. Please refer to the drawing and table below for the pin assignment of a suitable XLR plug.

Pin	Configuration
1	Ground, shielding
2	Signal inverted (DMX-, 'cold signal')
3	Signal (DMX+, 'hot signal')

### DMX connections



A five-pin XLR socket serves as DMX output, a five-pin XLR plug serves as DMX input. The drawing below and the table show the pin assignment of a matching coupling.

Pin	Assignment
1	Ground (shielding)
2	Signal inverted (DMX-, 'cold')
3	Signal (DMX+, 'hot')
4	unused / second connection (DMX-)
5	unused / second connection (DMX+)

## 10 Troubleshooting



### **NOTICE!**

#### **Possible data transmission errors**

For error-free operation make use of dedicated DMX cables and do not use ordinary microphone cables.

Never connect the DMX input or output to audio devices such as mixers or amplifiers.

In the following we list a few common problems that may occur during operation. We give you some suggestions for easy troubleshooting:

Symptom	Remedy
Device not working, no light	1. Check the mains connection and the main fuse.
	2. Check the settings in manual operation.
No response to the DMX controller	1. Check to see if the DMX cables run near or alongside to high voltage cables that may cause damage or interference to DMX interface circuits.
	2. Try using another DMX controller.

If the procedures recommended above do not succeed, please contact our Service Center. You can find the contact information at [www.thomann.de](http://www.thomann.de).



## 11 Cleaning

### Optical lenses

Clean the optical lenses, that are accessible from the outside, regularly in order to optimize the light output. The frequency of cleaning depends on the operating environment: wet, smoky or particularly dirty surroundings can cause more accumulation of dirt on the optics of the device.

- Clean with a soft cloth using our lamp and lens cleaner (item no. 280122).
- Always dry the parts carefully.

### Fan grids

The fan grids of the device must be cleaned on a regular basis to remove dust and dirt. Before cleaning, switch off the device and disconnect AC-powered devices from the mains. Use a lint-free damp cloth for cleaning. Never use solvents or alcohol for cleaning.

## 12 Protecting the environment

### Disposal of the packaging material



For the transport and protective packaging, environmentally friendly materials have been chosen that can be supplied to normal recycling.

Ensure that plastic bags, packaging, etc. are properly disposed of.

Do not just dispose of these materials with your normal household waste, but make sure that they are collected for recycling. Please follow the notes and markings on the packaging.

### Disposal of your old device



This product is subject to the European Waste Electrical and Electronic Equipment Directive (WEEE). Do not dispose with your normal household waste.

Dispose of this device through an approved waste disposal firm or through your local waste facility. When discarding the device, comply with the rules and regulations that apply in your country. If in doubt, consult your local waste disposal facility.



