

ignition

MANUAL



LED Contour
Ambience Wash 12 Zoom

Table of contents

1.	Safety instructions	3
1.1.	FOR SAFE AND EFFICIENT OPERATION	3
1.2.	Further safety instructions	4
2.	Introduction.....	9
2.1.	Product overview	9
2.2.	Dimensions	10
3.	Connections	11
3.1.	Electrical connections.....	11
3.2.	DMX connections	11
3.3.	DMX connection with terminator.....	11
4.	Control.....	13
4.1.1.	Structure of the menu	13
4.1.2.	DMX Address.....	14
4.1.3.	Dimmer Curve.....	14
4.1.4.	Dimmer modes description.....	14
4.1.5.	Pan Inverse.....	15
4.1.6.	Tilt Inverse	15
4.1.7.	Back Light.....	15
4.1.8.	White balance	15
4.1.9.	Manual Test	15
4.1.10.	Auto Test	16
4.1.11.	Temp.....	16
4.1.12.	Fixture Time.....	16
4.1.13.	Firmware Version.....	16
4.1.14.	Reset	16
4.2.	Set and calculate the DMX address	16
5.	DMX chart	17
6.	Technical data	20

1. Safety instructions



- This device is suitable for indoor use (not outdoors) only.
- All modifications to the device will void the warranty.
- Repairs are to carry out by skilled personnel only.
- Use only fuses of the same type and original parts as spare parts.
- Protect the unit from rain and humidity to avoid fire and electric shocks.
- Make sure to unplug the power supply before opening the housing.

1.1. FOR SAFE AND EFFICIENT OPERATION

Be careful with heat and extreme temperature

Avoid exposing it to direct rays of the sun or near a heating appliance.

Not put it in a temperature bellow 32°F /0°C, or exceeding 104°F /35°C.

Keep away from humidity, water and dust

Do not place the set in a location with high humidity or lots of dust.

Containers with water should not be placed on the set.

Keep away from sources of hum and noise

Such as transformer motor, tuner, TV set and amplifier.

To avoid placing on un-stable location

Select a level and stable location to avoid vibration.

Do not use chemicals or volatile liquids for cleaning

Use a clean dry cloth to wipe off the dust, or a wet soft cloth for stubborn dirt.

If out of work, contact sales agency immediately

Any troubles arose, remove the power plug soon, and contact with an engineer for repairing, do not open the cabinet by yourself, it might result a danger of electric shock.

Take care with the power cable

Never pull the power cable to remove the plug from the receptacle, be sure to hold the plug.

When not using the device for an extended period of time, be sure to disconnect the plug from the receptacle.

Important: Damages caused by the disregard of this user manual are not subject to warranty. The dealer will not accept liability for any resulting defects or problems. Make sure the electrical connection is carried out by qualified personnel. All electrical and mechanical connections have to be carried out according to the European safety standards.

1.2. Further safety instructions

IMPORTANT

Damages caused by the disregard of this user manual are not subject to warranty. The dealer will not accept liability for any resulting defects or problems. Make sure the electrical connection is carried out by qualified personnel. All electrical and mechanical connections have to be carried out according to the European safety standards.



IMPORTANT

Keep away from water and humidity!

Make sure to unplug the power supply before opening the housing!

Please read careful through this manual before the first start-up.

All persons which are entrusted with installation, start-up, operation, maintenance and repair of this device have to:

- Show a corresponding competence.
- Follow the lines of this manual.
- Face this manual as part of the product.
- Keep this manual over the lifetime of the product.
- Pass this manual to new owners of the device.
- Download the latest version of the manual.

Safety-related red flags



IMPORTANT!

Handle with the dangerous electric voltages carefully.

With this voltage there is the danger to get a life-threatening electric shock.

Always observe

After taken the device from a cold room to a warm room, it is not allowed to activate the device.

It is possible that thereby emerged condensed water damages the device. Activate the device not until it reached ambient temperature.

Prevent that the power cable has contact with other cables. Handle carefully with power cables and power connections. Don't touch them with clammy hands.

Make sure that the voltage which is to connect not exceeds the specified values.

Make sure that it isn't possible to squeeze or damage the power cable with sharp edges. Assure yourself with regular checks that there are no damages to the power cable or the device.

Don't switch the device in short time intervals (e.g. in second cycle) on or off.

Keep away children and laymen off the device.



Health risk!

Don't look directly into the light source. At certain circumstances it is possible that some people get epileptic seizures. This is especially true for individuals whose epilepsy was determined by a doctor.

Designated use

This device was developed for professional use on stages, in discos, theatres etc. The device is only approved for a connection up to 230V 50/60 Hz AC voltage and only for indoor use.

Regular breaks during operation increase the lifetime of your device.

Avoid convulsions or any form of forceful impact during the installation or the start-up of the device.

Make sure that the device is not exposed excessive heat, humidity or dust at the place of installation. Take care that no cables are lying around. You would endanger your own safety and also the safety of a third party.

It is not allowed to operate or store the device in an environment in which spray water, rain, humidity or fog is expected. Humidity or very high atmospheric humidity could reduce the isolation of the device and could cause deathly electric shocks. If you use fog devices the device has not be exposed to a direct smoke jet. There has to be a safety distance of at least 0.5m between this device and the fog machine. Make sure that the saturation of the fog has to enable a visibility of at least 10m.

The ambient temperature has to be between 0°C and +40°C. Avoid direct sunlight and close proximity to heaters. You have also to attend it during the transport in closed motor vehicles.

You have to attend that with an ambient temperature von 40°C it is not allowed that the relative humidity exceeds 50%.

Operate the device not during thunderstorms. Surge voltages could destroy the device. Unplug the power supply during thunderstorms.

During the installation the use of the mounting bracket is obligatory.

Surrounding objects or surfaces should not be in contact with the device.

Make sure that during the installation and removal of the device the area below the place of installation is basically cordoned off. This also applies to implementation of service.

The device has basically been protected by a suitable safety.

Make familiar yourself with the functions of the device before start-up. People without the experience should not handle with the device. The most cause of functional disorder is inappropriate handling.

Do not use chemicals or volatile liquids for cleaning. Use a clean dry cloth to wipe off the dust, or a wet soft cloth for stubborn dirt.

For transport use the original packing or designated accessory to avoid damages during the transport.

For reasons of safety unauthorized changes are forbidden.

A usage of the device which differs from usages which are described in this manual can cause damages of the device. In that case the warranty expires. Additional you should notice that every differed usage is related with dangers and can cause e.g. an electrical short, fire, electric shock or crash.

Overhead installation



Danger of life!

You have to observe the regulations of BGV C1 (formerly VBG 70) and EN60598-2-17 Installations are to carry out by skilled personnel only.

The suspension devices have to be build and measured so they can withstand for an hour the tenfold of the payload without suffering a permanent detrimental deformation.

Basically installation has to be made by using a second separate suspension. This can be e.g. a suitable net. The second suspension must be designed and attached so no part of the installation can fall down in case of failure.

During construction, reconstruction and deconstruction unnecessary stay in the range of moving areas, on lightning bridges, under elevated work stations or any other danger zones is forbidden.

The operator is obliged to following safety-related and mechanical facilities:

- Before the first start-up or after critical changes before restarting it has to be checked by an expert.
- Review in the frame of the inspection test at least all four years by an expert. .
- Review by a qualified person at least once a year.

How to carry out the overhead installation:

In tidal fall you should install the device out of the lounge area of people

IMPORTANT! Overhead installation requires a high level of experience. This includes knowledge of calculating the payload, used installation material and safety inspections of the used material and the projector whereas the required experience is not limited to this. Do not try to carry out installation yourself under any circumstances if you are not qualified. Contact a professional installer. An inappropriate installation can lead to injuries and/or damaged properties.

It is not allowed to install the device in the grip area of people.

If the device may hang from the ceiling or from high beams, the use of truss systems is mandatory. The device may not be installed so it can swing freely in the room.

Please note: Crashing down items can cause serious injuries! Do not install the projector, if you doubt the safety of a possible installation form!

Before installation make sure that the mounting surface has the ability to carry the tenfold point load of the own weight of the device.

Mount the device with the mounting-bracket to your trussing system using an appropriate clamp.

During overhead installation the device must be always secured by a safety rope which is designed to hold the twelvefold weight of device. Only safety ropes with quick-release safety fastener elements may be used. Hang up the safety rope in the hole of the mounting bracket. Direct the rope over the truss or an appropriate fastening point. Hang up the end in the fastening element and tie up the locking nut. A safety rope once exposed to failing load or damaged may not be used furthermore.

The maximum drop exceed must not exceed 20cm.

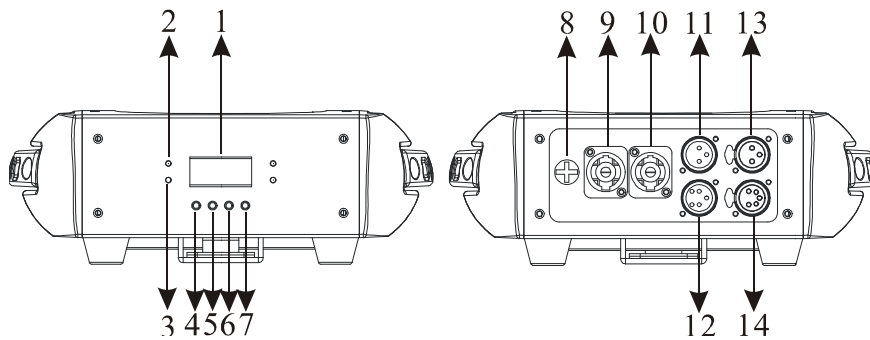
A safety rope once exposed to failing load or damaged may not be used furthermore.

Adjust the desired inclination angle via the mounting bracket and tighten the screw.

2. Introduction

Thank you for buying the **LED Contour Ambience Wash 12 Zoom**. It is a powerful device.
For a successful installation and operation, please read this manual carefully.

2.1. Product overview



1. Display
To show the various menus and the selected function.
2. Power
If the LED lights the device is powered on.
3. DMX
If the LED lights the device gets a DMX signal.
4. Menu
To select the programming functions.
5. DOWN
To go backward in the selected functions.
6. UP
To go forward in the selected functions. .
7. ENTER
To confirm the selected function.
8. Fuse (T6.3A):
Protect the unit from damage of the over current.
9. Powercon In:
To connect the power cord. (AC 100 – 240V, 50~60Hz)
10. Powercon Out:
Connect to supply power to the next unit (max. 8 pcs.)
11. DMX In 3 Pin:
For DMX512 link, use 3Pin XLR cable to link the unit together.
12. DMX IN 5 Pin:
For DMX512 link, use 5Pin XLR cable to link the unit together.

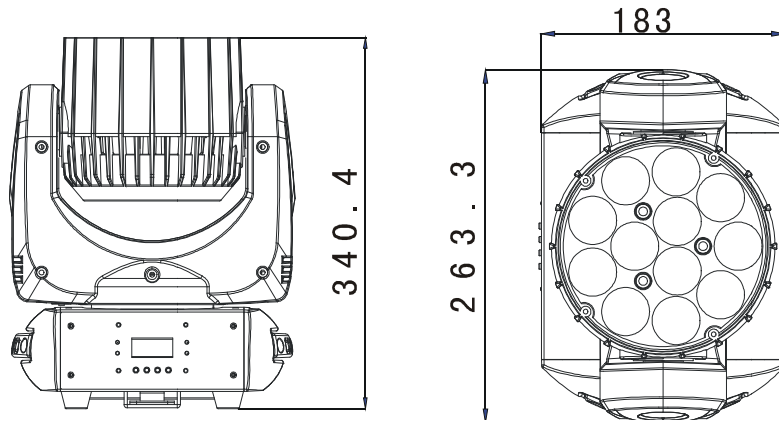
13. DMX Out 3 Pin:

For DMX512 link, use 3Pin XLR cable to link the next unit.

14. DMX OUT 5Pin:

For DMX512 link, use 5Pin XLR cable to link the next unit.

2.2. Dimensions



3. Connections

3.1. Electrical connections

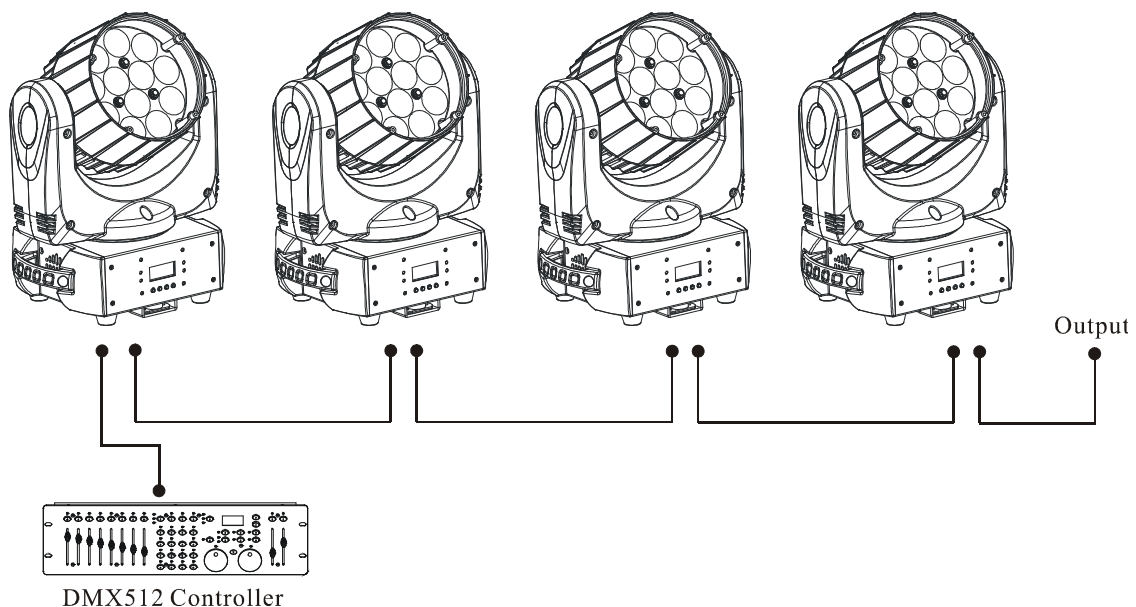
If you wish to change the power supply settings, see the chapter Appendix. Connect the fixture to the mains with the enclosed power cable and plug. The earth has to be connected.

Cable (EU)	Cable (US)	Pin	International
Brown	Black	Live	L
Light blue	White	Neutral	N
Yellow/Green	Green	Earth	⊕

3.2. DMX connections

To make a DMX512 connection go ahead like it is described in the picture. Make sure that you use shielded cable. 3pole or 5pole XLR cables are suitable.

Important! After the last device the line has to be terminated. In order to do this you have to solder a 120Ω resistor between the pins Data + and Data -. You can solder this end resistor on a 3pin or 5pin XLR: Plug this adapter into the DMX output of the device.

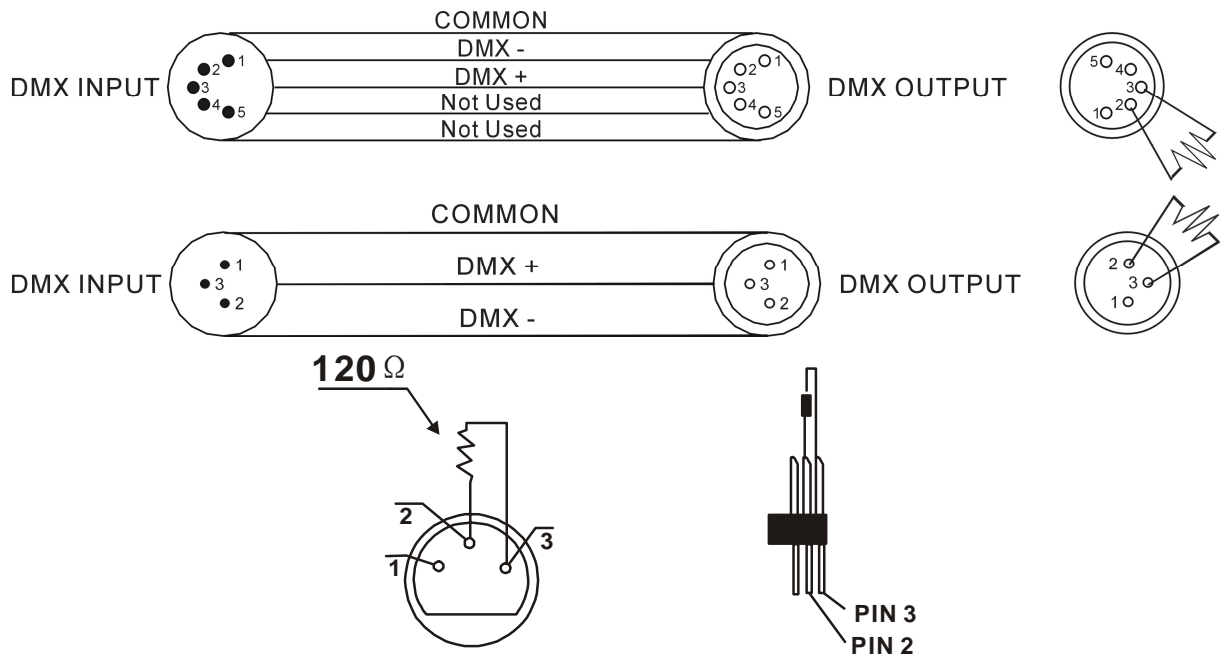


3.3. DMX connection with terminator

Where the DMX cable has to run a long distance or the equipment is operated in an electrically noisy environment like a disco for installations, we recommend using a DMX terminator. This prevents corruption of the digital control signal by electrical noise. The DMX terminator is simply an XLR

ignition LED CONTOUR AMBIENCE WASH 12 ZOOM

connector with a 120 Ω resistor between pins 2 and 3, which is then plugged into the XLR output socket of the last device in the series. Please look to the bottom drawings.



If you are using a controller with 5 pins DMX output, you need to use a 5 to 3 pin adapter-cable.

4. Control

Using touch control switch and LCD display, and this can be simply and easily set the address code and functions code.

If you view or modify the lighting feature set, then press MODE button, the LCD display will enter the menu interface. Both there is a sub menu corresponding to the functional operation of the main menu.

Each of the menus is representative of the specific features of the lamp. The specific content shows as the table menu below. Set or browse lighting function, press UP or DOWN button.

Press ENTER to save your changes or enter the submenu. Press the UP or DOWN can change the numerical (increase or decrease in value).

Press the MODE button to return to menu.

4.1.1. Structure of the menu

DMX Address	001-512	
Dimmer Curve	Mode 1	
	Mode 2	
	Mode 3	
	Mode 4	
Pan Inverse	Yes/No	
Tilt Inverse	Yes/No	
Back Light	On/Off	
White Balance	Red	000-255
	Green	000-255
	Blue	000-255
Manual Test	Pan	000-255
	Tilt	000-255
	Red	000-255
	Green	000-255
	Blue	000-255
	White	000-255
	Zoom	000-255
	Dimmer	000-255
	Strobe	000-255
Auto Test		
Temp.	xxx	
Fixture Time	xxx	
Firmware Version	xxx	

Reset

4.1.2. DMX Address

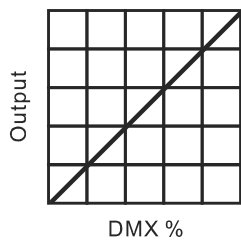
Select DMX Address, press the ENTER button to confirm, the present address will blink on the display. Use the UP and DOWN button to adjust the address from 1 to 512. Once the address has been selected, press the ENTER button to setup, to go back to the functions without any change press the MENU button again. Hold and press the MENU button about one second or wait for one minute to exit the menu mode.

4.1.3. Dimmer Curve

Select Dimmer curve, press the ENTER button to confirm, present mode will blink on the display. Use the DOWN and UP button to select the Mode1, Mode 2, Mode 3 or Mode 4 mode. Once the mode has been selected, press the ENTER button to setup, to go back to the functions without any change press the MENU button again. Hold and press the MENU button about one second or wait for one minute to exit the menu mode.

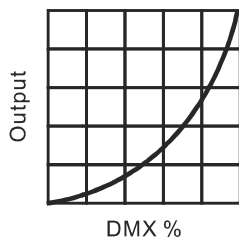
4.1.4. Dimmer modes description

Dimmer Modes



Optically Linear

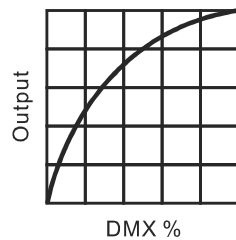
Mode1 Optically linear:



Square Law

Mode 2 Square law:

The increase in light intensity appears to be linear as DMX value is increased.

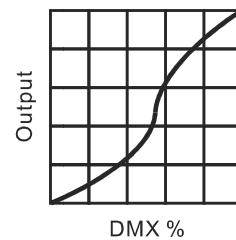


Inverse Square Law

Mode 3 Inv. Square law:

Light intensity control is finer at low levels and coarser at high levels.

Light intensity control is coarser at low levels and finer at high levels.



S-curve

Mode 4 S-Curve

Light intensity control is finer at low levels and high levels and coarser at medium levels.

4.1.5. Pan Inverse

Select PAN INVERSE, press the ENTER button to confirm, present mode will blink on the display. Use the DOWN and UP button to select the Yes (pan inversion) or No (normal) mode. Once the mode has been selected, press the ENTER button to setup, to go back to the functions without any change press the MENU button again. Hold and press the MENU button about two seconds or wait for one minute to exit the menu mode.

4.1.6. Tilt Inverse

Select TILT INVERSE press the ENTER button to confirm, present mode will blink on the display. Use the DOWN and UP button to select the Yes (tilt inversion) or No (normal) mode. Once the mode has been selected, press the ENTER button to setup, to go back to the functions without any change press the MENU button again. Hold and press the MENU button about one second or wait for one minute to exit the menu mode.

4.1.7. Back Light

Select BACK LIGHT, press the ENTER button to confirm, present mode will blink on the display. Use the DOWN and UP button to select the On (LED on) or Off (LED off) mode. Once the mode has been selected, press the ENTER button to setup, to go back to the functions without any change press the MENU button again. Hold and press the MENU button about two seconds or wait for one minute to exit the menu mode.

4.1.8. White balance

Select WHITE BALANCE, press the ENTER button to confirm, present mode will blink on the display. Use the DOWN and UP button to select the Red or Green, Blue. Once the mode has been selected, press the ENTER button to setup, use the DOWN and UP button to adjust the value (125~255). Once selected, press the ENTER button to setup, go back to the functions without any change press the MENU button again. Hold and press the MENU button about two seconds or wait for one minute to exit the menu mode.

4.1.9. Manual Test

Select MANUAL TEST, press the ENTER button to confirm, present mode will blink on the display. Use the DOWN and UP button to select the Pan / Tilt / Red / Green / Blue / White /Zoom / Dimmer or Strobe. Once you find a function or a color you wish to test, press the ENTER button, use the DOWN and UP button to adjust the values (0~255). Once finished the test, press the ENTER button to save,

go back to the functions without any change press the MENU button again. Hold and press the MENU button about two seconds or wait for one minute to exit the menu mode.

4.1.10. Auto Test

Select AUTO TEST, press the ENTER button and the unit will run self-test by built-in program. To go back to the functions press the MENU button again. Hold and press the MENU button about two seconds or wait for one minute to exit the menu mode.

4.1.11. Temp

Select TEMP, press the ENTER button and the display will show the temperature of the unit. To go back to the functions press the MENU button again. Hold and press the MENU button about two seconds or wait for one minute to exit the menu mode.

4.1.12. Fixture Time

Select FIXTURE TIME, press the ENTER button and the display will show the number of working hours of the unit. To go back to the functions press the MENU button again. Hold and press the MENU button about two seconds or wait for one minute to exit the menu mode.

4.1.13. Firmware Version

Select FIRMWARE VERSION, press the ENTER button and the display will show the version of software of the unit. To go back to the functions press the MENU button again. Hold and press the MENU button about two seconds or wait for one minute to exit the menu mode.

4.1.14. Reset

Select RESET, press the ENTER button and all channels of the unit will return to their standard position.

4.2. Set and calculate the DMX address

If you use a standard DMX controller, you can Addresses of 001-512 awarded in a universe. The device requires 14Ch so you may need to address the first device to 1 now but 14 addresses blank (including 1) to control the device. Consequently, the second device is addressed on 15 but not less, as it would otherwise interfere with the functions of the first device. The next device could now be set to address 29, 43 and so on.

5. DMX chart

Channel	Value from	Value to	Function
1	0	255	Pan
2	0	255	Pan fine
3	0	255	Tilt
4	0	255	Tilt fine
5	0	255	Speed Pan/Tilt
6			Reset
	0	9	No function
	10	14	Reset
	15	255	No function
7	0	255	Dimmer 0-100%
8			Shutter
	0	19	No function
	20	24	Open
	25	64	Strobe
	65	69	Open
	70	84	Opening pulse
	85	89	Open
	90	104	Closing pulse
	105	109	Open
	110	124	Random strobe
	125	129	Open
	130	144	Random opening pulse
	145	149	Open
	150	164	Random closing pulse
	165	169	Open
	170	184	Burst pulse
	185	189	Open
	190	204	Random burst pulse
	205	209	Open
	210	224	Sine wave
225	229	Open	
230	244	Burst	

	245	255	Open
9	0	255	Dimmer red 0-100%
10	0	255	Dimmer green 0-100%
11	0	255	Dimmer blue 0-100%
12	0	255	Dimmer white 0-100%
13			Colors
	0	9	White
	10	14	LEE 790 Moroccan pink
	15	19	LEE 157 Pink
	20	24	LEE 332 Special rose pink
	25	29	LEE 328 Follies pink
	30	34	LEE 345 Fuchsia pink
	35	39	LEE 194 Surprise pink
	40	44	LEE 181 Congo blue
	45	49	LEE 071 Tokyo blue
	50	54	LEE 120 Deep blue
	55	59	LEE 079 Just blue
	60	64	LEE 132 Medium blue
	65	69	LEE 200 Double CT blue
	70	74	LEE 161 State blue
	75	79	LEE 201 Full CT blue
	80	84	LEE 202 Half CT blue
	85	89	LEE 117 Steel blue
	90	94	LEE 353 Lighter blue
	95	99	LEE 118 Light blue
	100	104	LEE 116 Medium blue green
	105	109	LEE 124 Dark green
	110	114	LEE 139 Primary green
	115	119	LEE 089 Moss green
	120	124	LEE 122 Fern green
	125	129	LEE 738 JAS green
	130	134	LEE 088 Lime green
	135	139	LEE 100 Spring yellow
140	144	LEE 104 Deep amber	
145	149	LEE 179 Chrome Orange	
150	154	LEE 105 Orange	

	155	159	LEE 021 Gold amber
	160	164	LEE 778 Millennium gold
	165	169	LEE 135 Deep gold amber
	170	174	LEE 164 Flame red
	175	179	White
			Color rotation
	180	201	Color rotation forward slow-fast
	202	207	Stop
	208	229	Color rotation backwards fast-slow
	230	234	Open
	235	239	Fast
	240	244	Medium
	245	249	Slow
	250	255	Open
14	0	255	Zoom

6. Technical data

Voltage	AC 100-240V, 50-60Hz
Power consumption	198W
LED	Osram RGBW 12 x 10W
Control	DMX512 Master/Slave, Sound-to-light, Auto
Channels	14 CH
Dimensions	263,3 x 183 x 340,4mm
Beam angle	10° - 60°
Weight	7,5kg
Max. number of device in series	8 pcs.

Importer:

B&K Braun GmbH
Industriestraße 2
D-76307 Karlsbad-Ittersbach

www.bkbraun.com

info@bkbraun.com

