



Manual



LED PAD 5 Fourty
5x8W 4in1 RGBUV

Table of contents

1. Safety instructions	3
1.1. FOR SAFE AND EFFICIENT OPERATION	3
1.2. Additional Information for safety	4
2. Statement	5
2.1. Product description	5
2.2. Introduction to the product	5
2.2.1. Product overview	5
2.2.2. Technical Data	5
3. Control	7
3.1. Description of the display section	7
3.1.1. Structure of the menu	7
3.2. DMX Chart	7
4. IR remote	9

1. Safety instructions



- This device is suitable for indoor use (not outdoors) only.
- All modifications to the device will void the warranty.
- Repairs are to carry out by skilled personnel only.
- Use only fuses of the same type and original parts as spare parts.
- Protect the unit from rain and humidity to avoid fire and electric shocks.
- Make sure to unplug the power supply before opening the housing.

1.1. FOR SAFE AND EFFICIENT OPERATION

Be careful with heat and extreme temperature

Avoid exposing it to direct rays of the sun or near a heating appliance.

Not put it in a temperature bellow 32°F /0°C, or exceeding 104°F /40°C.

Keep away from humidity, water and dust

Do not place the set in a location with high humidity or lots of dust.

Containers with water should not be placed on the set.

Keep away from sources of hum and noise

Such as transformer motor, tuner, TV set and amplifier.

To avoid placing on un-stable location

Select a level and stable location to avoid vibration.

Do not use chemicals or volatile liquids for cleaning

Use a clean dry cloth to wipe off the dust, or a wet soft cloth for stubborn dirt.

If out of work, contact sales agency immediately

Any troubles arose, remove the power plug soon, and contact with an engineer for repairing, do not open the cabinet by yourself, it might result a danger of electric shock.

Take care with the power cable

Never pull the power cable to remove the plug from the receptacle, be sure to hold the plug.

When not using the device for an extended period of time, be sure to disconnect the plug from the receptacle.

Important: Damages caused by the disregard of this user manual are not subject to warranty. The dealer will not accept liability for any resulting defects or problems. Make sure the electrical connection is carried out by qualified personnel. All electrical and mechanical connections have to be carried out according to the European safety standards.

1.2. Additional Information for safety



Excessive temperature

Ta=40°C

Please do not use the device if the temperature exceeds 40°C/104°F.



Drop safety

If you install the device the mounting bracket has the ability to carry the tenfold load of the weight of the device. Always use a corresponding safety to safe the device additional. While working at the device the place below has to be vacated.



Beware of electrical shock

Make sure the electrical connection is carried out by qualified personnel. Before you plug in the device make sure that the power supply system has the right voltage and also a crowbar. Every device has to be grounded. Unplug the power supply if you want to change a lamp or you have to open the device. You also have to accomplish this action if there is a thunderstorm or high humidity.



Fire risk

Make sure that the fuse functioned. It is never allowed to bridge it. If you have to exchange it only use fuses of the same type.

It is not allowed cover fans and air in and outlets.

Make sure that there is a distance between the device and all objects in an area of 0.5m.

Don't put or mount anything on the lens.

2. Statement

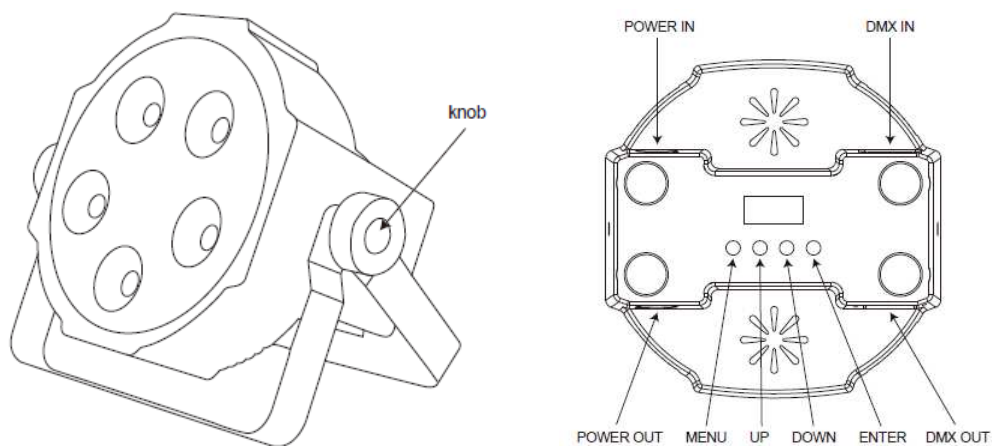
When we send out the goods, they are well packaged and also at best condition. Every product was tested before delivery. If you recognize mistakes or damages please contact the delivery agent or the supplier. Please read this manual faithful. In this manual you can find information about the handling and the safety regulations of this product. If you disregard this manual we cannot give a warranty for it. Technical changes, which are for progress, may be possible at any time. They are not mentioned particularly in this manual, but affixed extra.

2.1. Product description

This product has one DMX mode. The fixture can operate in three different operating modes: DMX control, sound-active or in Master/Slave configuration. The fixture comes with several built-in programs that can be used, while operating as a dimmer unit or when used in multiples linked in a Master/slave configuration.

2.2. Introduction to the product

2.2.1. Product overview



2.2.2. Technical Data

Power supply	
Voltage	100V - 240V / 50-60HZ
Max. Power	50W
Light source	
Lamp type	5 pcs. 4in1 LED
Wattage	8W
Lifetime	80.000-100.000 h
Connections	

Power in	IEC
DMX in/out	XLR
Functions	
Dimmer	0-100%
Strobe	10 Flashed per second (any color)
Operation	
Sound-to-light	yes
Automatic	yes
Master-Slave	yes
DMX	7 channels
Artnet	no
RDM	no
Hardware	
Protection class	IP20
Skill	indoor
Weight	1.5kg
Material	Plastic

3. Control

3.1. Description of the display section

To get to the menu you have to press MENU. With UP/DOWN you can scroll through the menu. If you have reached the desired point of menu press ENTER. With UP/DOWN you can make your desired settings. Conform your settings with ENTER.

3.1.1. Structure of the menu

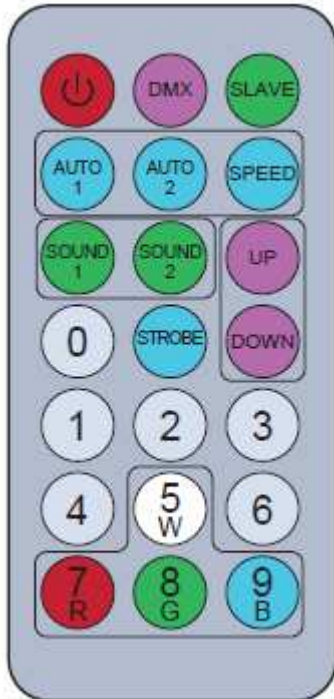
Main Menu	Submenu 1	Submenu 2	Submenu 3	Function description
Addr	A001-A512			Set the DMX address
SoUn	SoUn1			Select the desired sound mode
	SoUn2			
Auto	AUT1	SP 1-SP 9		Select the desired auto mode and the speed of the auto mode
	AUT2			
CoLo	CoL1-CoL9			Select the desired preset color
	AtF	Red	r000-r255	Dimmer red
		GrEE	g000-g255	Dimmer green
		bLUE	b000-b255	Dimmer blue
		UV	u000-u255	Dimmer UV
SLAv	SLA			The device will act as slave
rEno	ON/OFF			Close/open IR remote control
Uer	XXX			Shows the software version

3.2. DMX Chart

Channel	Value from	Value to	Function
1	0	255	Master dimmer 0-100%
2	0	255	Dimmer red 0-100%
3	0	255	Dimmer green 0-100%
4	0	255	Dimmer blue 0-100%
5	0	255	Dimmer UV 0-100%
6	0	255	Adjust strobe if channel 6 is <16, adjust speed if channel 6 is >95
7	0	15	Dimmer
	16	31	Color mixing plus change 1

32	47	Color mixing plus change 2
48	63	Color mixing plus change 3
64	79	Color mixing plus change 4
80	95	Color mixing plus change 5
96	111	Color sync strobe
112	127	Color fade
128	143	Color sync
144	159	Color mixing & change then shutter closing
160	175	Down-dimming plus color change
176	191	Up-dimming plus color change
192	207	Color up-dimming then down-dimming
208	223	Color mix change
224	239	Sound mode 1
240	255	Sound mode 2

4. IR remote



Power On/Off



DMX button, to control DMX address when press this button. It is channel mode when double click.



Master/Slave



Auto mode 1/2



Speed adjust



Sound mode 1/2



You can choose the desired program or number.



Strobe



You can use these number buttons to

adjust number settings in any program mode.



Choose a color.

Importer:

B & K Braun GmbH

Industriestraße 2

D-76307 Karlsbad

www.bkbraun.com

info@bkbraun.com

