



BAT.Trusslight RGBW

LED spotlight

Musikhaus Thomann
Thomann GmbH
Hans-Thomann-Straße 1
96138 Burgebrach
Germany
Telephone: +49 (0) 9546 9223-0
E-mail: info@thomann.de
Internet: www.thomann.de

01.07.2020, ID: 412271 (V2)

Table of contents

1	General information	6
	1.1 Further information.....	7
	1.2 Notational conventions.....	8
	1.3 Symbols and signal words.....	8
2	Safety instructions	11
3	Features	19
4	Installation	20
	4.1 Dealing with lithium batteries.....	25
5	Starting up	27
6	Connections and operating elements	29
7	Operating	35
	7.1 Starting the device.....	35
	7.2 Operating controls on the unit.....	35
	7.3 Operating via IR remote control.....	37
	7.4 Menu overview.....	38

7.5	Functions in DMX mode.....	39
8	Technical specifications.....	41
9	Plug and connection assignments.....	44
10	Troubleshooting.....	45
11	Cleaning.....	47
12	Protecting the environment.....	48



1 General information

This user manual contains important information on the safe operation of the device. Read and follow all safety notes and all instructions. Save this manual for future reference. Make sure that it is available to all persons using this device. If you sell the device to another user, be sure that they also receive this manual.

Our products and user manuals are subject to a process of continuous development. We therefore reserve the right to make changes without notice. Please refer to the latest version of the user manual which is ready for download under www.thomann.de.

1.1 Further information

On our website (www.thomann.de) you will find lots of further information and details on the following points:

Download	This manual is also available as PDF file for you to download.
Keyword search	Use the search function in the electronic version to find the topics of interest for you quickly.
Online guides	Our online guides provide detailed information on technical basics and terms.
Personal consultation	For personal consultation please contact our technical hotline.
Service	If you have any problems with the device the customer service will gladly assist you.

1.2 Notational conventions

This manual uses the following notational conventions:



Letterings



The letterings for connectors and controls are marked by square brackets and italics.

Examples: *[VOLUME]* control, *[Mono]* button.

1.3 Symbols and signal words

In this section you will find an overview of the meaning of symbols and signal words that are used in this manual.

Signal word	Meaning
DANGER!	This combination of symbol and signal word indicates an immediate dangerous situation that will result in death or serious injury if it is not avoided.
WARNING!	This combination of symbol and signal word indicates a possible dangerous situation that can result in death or serious injury if it is not avoided.
NOTICE!	This combination of symbol and signal word indicates a possible dangerous situation that can result in material and environmental damage if it is not avoided.
Warning signs	Type of danger
	Warning – high-voltage.
	Warning – dangerous optical radiation.

Warning signs	Type of danger
 A yellow triangular warning sign with a black border, depicting a crane hook lifting a rectangular load.	Warning – suspended load.
 A yellow triangular warning sign with a black border, featuring a large black exclamation mark.	Warning – danger zone.

2 Safety instructions

Intended use

This device is intended for use as an electronic lighting effect by means of LED technology. The device is designed for professional use and is not suitable for use in households. Use the device only as described in this user manual. Any other use or use under other operating conditions is considered to be improper and may result in personal injury or property damage. No liability will be assumed for damages resulting from improper use.

This device may be used only by persons with sufficient physical, sensorial, and intellectual abilities and having corresponding knowledge and experience. Other persons may use this device only if they are supervised or instructed by a person who is responsible for their safety.

Extend the life of the device by regular breaks in operation and avoid switching it on and off frequently. This device is not suitable for continuous use.

Safety



DANGER!

Danger for children

Ensure that plastic bags, packaging, etc. are disposed of properly and are not within reach of babies and young children. Choking hazard!

Ensure that children do not detach any small parts (e.g. knobs or the like) from the unit. They could swallow the pieces and choke!

Never let children unattended use electrical devices.



DANGER!

Electric shock caused by high voltages inside

Within the device there are areas where high voltages may be present. Never remove any covers.

There are no user-serviceable parts inside.

Do not use the device if covers, protectors or optical components are missing or damaged.



DANGER!

Electric shock caused by short-circuit

Always use proper ready-made insulated mains cabling (power cord) with a protective contact plug. Do not modify the mains cable or the plug. Failure to do so could result in electric shock/death or fire. If in doubt, seek advice from a registered electrician.



WARNING!

Eye damage caused by high light intensity

Never look directly into the light source.



WARNING!

Risk of epileptic shock

Strobe lighting can trigger seizures in photosensitive epilepsy. Sensitive persons should avoid looking at strobe lights.



WARNING!

Incorrect handling of lithium batteries can result in injury

In the event of a short circuit, overheating or mechanical damage, lithium batteries can cause severe injuries.

Follow the advice on the correct handling of lithium batteries in the present section.



NOTICE!

Risk of fire

Do not block areas of ventilation. Do not install the device near any direct heat source. Keep the device away from naked flames.

**NOTICE!****Operating conditions**

This device has been designed for indoor use only. To prevent damage, never expose the device to any liquid or moisture. Avoid direct sunlight, heavy dirt, and strong vibrations.

Only operate the device within the ambient conditions specified in the chapter 'Technical specifications' of this user manual. Avoid heavy temperature fluctuations and do not switch the device on immediately after it was exposed to temperature fluctuations (for example after transport at low outside temperatures).

Dust and dirt inside can damage the unit. When operated in harmful ambient conditions (dust, smoke, nicotine, fog, etc.), the unit should be maintained by qualified service personnel at regular intervals to prevent overheating and other malfunction.



NOTICE!

Power supply

Before connecting the device, ensure that the input voltage (AC outlet) matches the voltage rating of the device and that the AC outlet is protected by a residual current circuit breaker. Failure to do so could result in damage to the device and possibly injure the user.

Unplug the device before electrical storms occur and when it is unused for long periods of time to reduce the risk of electric shock or fire.



NOTICE!

Risk of fire due to incorrect polarity

Incorrectly inserted batteries may destroy the device or the batteries.

Ensure that proper polarity is observed when inserting batteries.



NOTICE!

Possible damage by leaking batteries

Leaking batteries can cause permanent damage to the device.

Take batteries out of the device if it is not going to be used for a longer period.



NOTICE!

Possible staining

The plasticiser contained in the rubber feet of this product may possibly react with the coating of your parquet, linoleum, laminate or PVC floor and after some time cause permanent dark stains.

In case of doubt, do not put the rubber feet directly on the floor, but use felt-pad floor protectors or a carpet.



NOTICE!

Possible damage due to incorrect storage

Deep discharge can cause batteries to become permanently damaged or lose some of their capacity.

Before prolonged rest periods, charge the batteries to around 50 % of their capacity and then switch the equipment off. Store the equipment at a temperature between 10 °C and 32 °C in as dry an environment as possible. During extended storage periods, charge the batteries to 50 % approximately every three months.

3 Features

Special features of the device:

- 3 four-colour LEDs (red, green, blue and white, 10 W each)
- Operable in stand-alone mode or DMX
- Control via DMX, the supplied infrared remote control or the buttons and display on the unit
- Stand-alone operation with static colours
- Sound control
- Can be mounted on three-point trusses
- Mounting plate for inclination adjustment
- Battery or mains powered
- Power adapter and infrared remote control included
- Suitable for use in clubs, bars, theatres, exhibitions, etc. or for mobile use

For technological reasons, the light output of LEDs decreases over their lifetime. This effect increases with higher operating temperature. You can extend the service life of the illuminants by providing adequate ventilation and operating the LEDs with the lowest possible brightness.

4 Installation

Unpack and check carefully there is no transportation damage before using the unit. Keep the equipment packaging. To fully protect the product against vibration, dust and moisture during transportation or storage use the original packaging or your own packaging material suitable for transport or storage, respectively.



WARNING!

Risk of injury caused by falling objects

Make sure that the installation complies with the standards and rules that apply in your country. Always secure the device with a secondary safety attachment, such as a safety cable or a safety chain.



NOTICE!

Risk of overheating

The distance between light output and the illuminated surface must be more than 1.5 m (19.7in).

Provide sufficient ventilation.

The ambient temperature must always be below 40 °C (104 °F).



NOTICE!

Use of stands

When mounting the device onto a stand, ensure that the stand is in a safe and stable position and that the weight of the device does not exceed the maximum permissible load capacity of the stand.



NOTICE!

Possible data transmission errors

For error-free operation make use of dedicated DMX cables and do not use ordinary microphone cables.

Never connect the DMX input or output to audio devices such as mixers or amplifiers.

Mounting options

You can install the device using a stand, as well as standing or hanging upside down. When in use, the device must always be attached to a solid surface or an approved truss. Use the threads provided for mounting.

Additionally secure the device by a safety cable against falling. Pull the safety cable through the safety cable eyelet on the top of the unit.

Always work from a stable platform whenever installing, moving or servicing the unit. In doing so, the area underneath the unit must be cordoned off.



Please note that this device must not be connected to a dimmer.

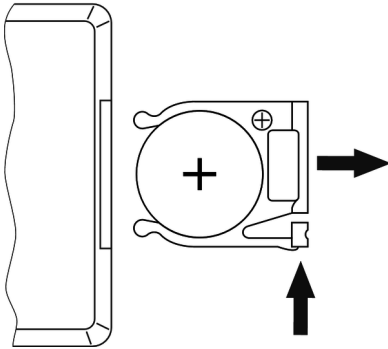
Infrared sensor for the remote control

The infrared receiver for the IR remote control signals is located between the LEDs on the front panel of the device. Make sure it's not obstructed.

Inserting the battery into the remote control

Press the lock of the battery holder to the centre of the housing and pull out the battery holder like a drawer. Insert the battery. The battery is correct if the positive pole points to the housing base of the remote control. Slide the battery holder back into the remote until it clicks into place.

When shipping, the battery is already installed in the remote and protected against discharge by a transparent plastic foil. Remove the plastic foil prior to first use.



4.1 Dealing with lithium batteries



WARNING!

Incorrect handling of lithium batteries can result in injury

In the event of a short circuit, overheating or mechanical damage, lithium batteries can cause severe injuries.

Follow the advice on the correct handling of lithium batteries in the present section.

When handled correctly and appropriately lithium batteries pose no risk.

Store lithium batteries in a cool, dry place, ideally in the original packaging.

Store lithium batteries away from heat sources (e.g. radiators or sunlight). Lithium batteries are hermetically sealed. Never attempt to open a lithium battery.

If the battery housing is damaged small amounts of the electrolyte may leak out. If this should happen, seal the lithium battery in airtight packaging and wipe up the traces of electrolyte using absorbent paper towels. You must wear protective rubber gloves when doing so. Clean your hands and the affected surface thoroughly with cold water.

Never attempt to recharge non-rechargeable lithium batteries. When charging lithium batteries you must use a suitable charging device intended for the purpose.

Before disposing of the device remove the lithium batteries. Protect used lithium batteries against potential short circuits, e.g. by covering the poles with adhesive tape.

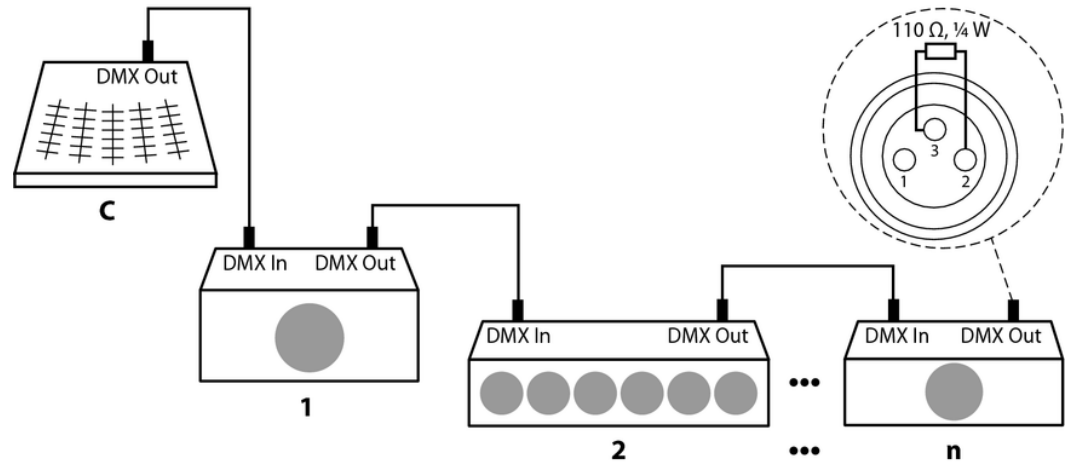
Only use powder extinguishers or other suitable extinguishing agents to extinguish a burning lithium battery.

5 Starting up

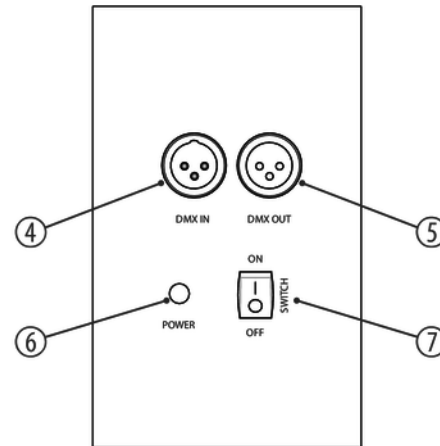
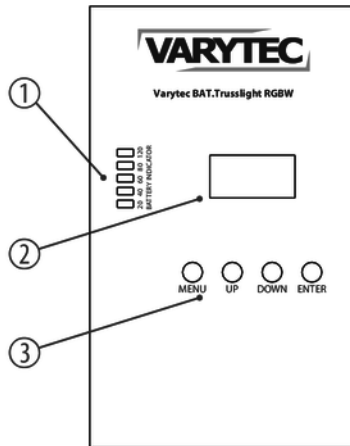
Create all connections while the device is off. Use the shortest possible high-quality cables for all connections. Take care when running the cables to prevent tripping hazards.

Connections in DMX mode

Connect the DMX input of the device to the DMX output of a DMX controller or another DMX device. Connect the output of the first DMX device to the input of the second one, and so on to form a daisy chain. Always ensure that the output of the last DMX device in the daisy chain is terminated with a resistor ($110\ \Omega$, $\frac{1}{4}\text{ W}$).



6 Connections and operating elements

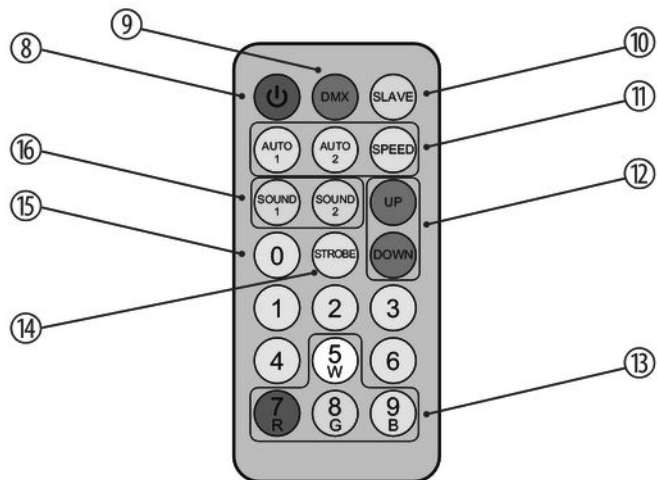


1	<i>[BATTERY INDICATOR]</i> Remaining battery capacity display. When all the LEDs are on, the battery is fully charged. If only the red LED is on, the unit must be connected to the mains again to charge as soon as possible.
2	Display
3	Function buttons
	<i>[MENU]</i> Activates the main menu and toggles between menu items. Closes an opened submenu.
	<i>[UP], [DOWN]</i> Toggles between the menu items of a menu level, increases or decreases the displayed value by one.
	<i>[ENTER]</i> Selects an option of the respective operating mode, confirms the set value.
4	<i>[DMX IN]</i> DMX input
5	<i>[DMX OUT]</i> DMX output

6	<i>[POWER]</i> Connection socket for the 15 V power supply unit
---	--

7	<i>[ON / OFF]</i> Main switch. Turns the device on and off
---	---

Remote control



8	Button to turn the device on and off
9	<i>[DMX]</i> Button to switch between DMX and stand-alone mode
10	<i>[SLAVE]</i> Button to switch between master and slave mode.
11	<i>[AUTO 1], [AUTO 2], [SPEED]</i> Buttons to activate automatic mode 1 or 2 and to adjust the programme speed
12	<i>[UP], [DOWN]</i> Buttons to switch between programmes and to increase / decrease numeric values
13	Buttons for colour selection Use <ul style="list-style-type: none">■ <i>[W]</i> for white light■ <i>[R], [G], or [B]</i> for primary colours red, green and blue
14	<i>[STROBE]</i> Button to turn the strobe effect on or off

15	Numeric buttons 0 ... 9 for direct value input
----	--

16	<i>[SOUND 1], [SOUND 2]</i>
----	-----------------------------

	Buttons to activate sound-control mode 1 or 2
--	---

7 Operating

7.1 Starting the device

Using the main switch, turn the device on. After a few seconds, the fan starts. The display shows the current operation mode.

7.2 Operating controls on the unit

DMX mode, DMX address

Press *[MENU]*, *[UP]* or *[DOWN]* repeatedly until the display shows 'Addr'. Confirm with *[ENTER]*.

Now you can set the number of the first DMX channel to be used by the device (DMX address). Use *[UP]* and *[DOWN]* to select a value between 1 and 512 (display shows 'A001' ... 'A512'). Confirm with *[ENTER]*.

Sound control

Press *[MENU]*, *[UP]* or *[DOWN]* repeatedly until the display shows 'Soun'. Confirm with *[ENTER]*.

Use *[UP]* and *[DOWN]* to select the desired mode 'Sou1' or 'Sou2'. Confirm with *[ENTER]*.

Constant colour

Press *[MENU]*, *[UP]* or *[DOWN]* repeatedly until the display shows 'Colo'. Confirm with *[ENTER]*.

Use *[UP]* and *[DOWN]* to select a constant colour in a range from 'Col1' ... 'Col9' or the option 'AtF'. Confirm with *[ENTER]*

In AtF mode, you can create custom colour mixes by adjusting the red, green, blue, and white colour intensities in a range from '1' ... '255'. Confirm each colour setting with *[ENTER]* to change to the next colour in the menu.

Operating mode Auto

Press *[MENU]*, *[UP]* or *[DOWN]* repeatedly until the display shows 'Auto'. Confirm with *[ENTER]*.

Use *[UP]* and *[DOWN]* to select the desired mode 'Aut1' or 'Aut2'. Confirm with *[ENTER]*. You can now set the program's speed between 'SP 1' and 'SP 9'.

Operating mode Slave

Press *[MENU]*, *[UP]* or *[DOWN]* repeatedly until the display shows 'SLav'. Confirm with *[ENTER]*.

The display shows 'Slav', the unit is now in Slave mode.

Display software version

Press *[MENU]*, *[UP]* or *[DOWN]* repeatedly until the display shows 'uer'. Confirm with *[ENTER]*.

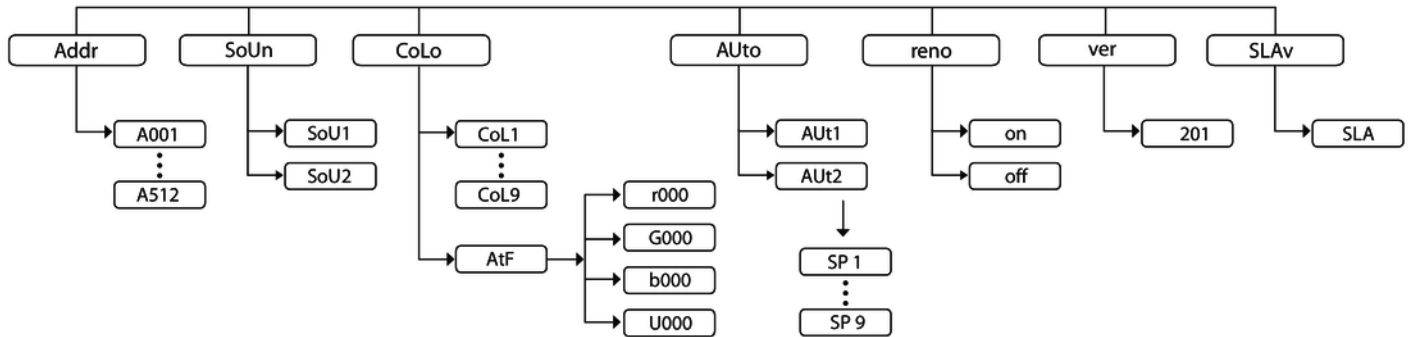
The display shows the current software version.

7.3 Operating via IR remote control

Press *[MENU]*, *[UP]* or *[DOWN]* repeatedly until the display shows 'reno'. Confirm with *[ENTER]*.

Use *[UP]* and *[DOWN]* to select the option 'on' to operate the unit via the IR remote control.
Confirm with *[ENTER]*.

7.4 Menu overview

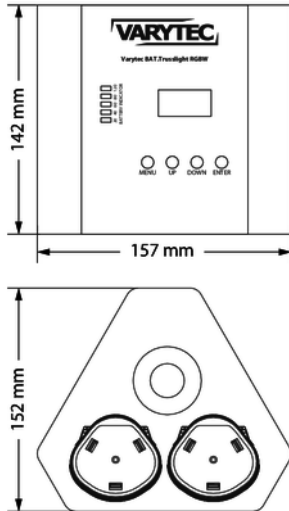


7.5 Functions in DMX mode

Channel	Value	Function
1	0 ... 255	Master Dimmer (0 % to 100 %)
2	0 ... 255	Intensity Red (0 % bis 100 %), if channel 6 = 16 ... 95
3	0 ... 255	Intensity Green (0 % to 100 %), if channel 6 = 16 ... 95
4	0 ... 255	Intensity Blue (0 % bis 100 %), if channel 6 = 16 ... 95
5	0 ... 255	Intensity White (0 % bis 100 %), if channel 6 = 16 ... 95
6	0 ... 16	Strobe effect (0 % to 100 %)
	16 ... 95	Program speed (0 % to 100 %)
7	0 ... 15	Dimmer (0 % to 100 %)
	16 ... 31	Colour mixing with cross-fade 1
	32 ... 47	Colour mixing with cross-fade 2
	48 ... 63	Colour mixing with cross-fade 3

Channel	Value	Function
	64 ... 79	Colour mixing with cross-fade 4
	80 ... 95	Colour mixing with cross-fade 5
	96 ... 111	Colour change with strobe effect
	112 ... 127	Colour change with fade effect
	128 ... 143	Colour change
	144 ... 159	Colour mixing, colour change and blackout
	160 ... 175	Dimming with colour change
	176 ... 191	Reverse dimming with colour change
	192 ... 207	Dimming, reverse dimming
	208 ... 223	Alternate colour mixing
	224 ... 239	Sound mode 1
	240 ... 255	Sound mode 2

8 Technical specifications



Light source	3 four-colour LEDs (red, green, blue and white, 8 W each)	
Optical properties	Beam angle	25°
Control	DMX, infrared remote control, buttons and display on the device	
Number of DMX channels	7	
Input connections	Power supply	Connection socket for the 15 V power adapter
	DMX control	XLR chassis socket, 3-pin
Output connections	DMX control	XLR chassis socket, 3-pin
Power consumption	24 W	
Power supply	Power adapter (15 V $\overline{\text{---}}$, centre positive)	
	Replaceable rechargeable battery pack, item # 385488 (lithium ion battery, 10.8 V, 1500 mAh)	

Degree of protection	IP20	
Mounting options	hanging, standing, tripod-mounted	
Dimensions (W × H × D)	157 mm × 142 mm × 152 mm	
Weight	1.3 kg	
Ambient conditions	Temperature range	0 °C...40 °C
	Relative humidity	50 %, non-condensing

Further information

Construction	Up-Light
LED type	x-in-1
Base housing	Yes
Fanless	No
Remote control	included
Wireless DMX	No
Housing colour	Black

9 Plug and connection assignments

Introduction

This chapter will help you select the right cables and plugs to connect your valuable equipment so that a perfect light experience is guaranteed.

Please take our tips, because especially in 'Sound & Light' caution is indicated: Even if a plug fits into a socket, the result of an incorrect connection may be a destroyed DMX controller, a short circuit or 'just' a not working light show!

DMX connections



The unit offers a 3-pin XLR socket for DMX output and a 3-pin XLR plug for DMX input. Please refer to the drawing and table below for the pin assignment of a suitable XLR plug.

Pin	Configuration
1	Ground, shielding
2	Signal inverted (DMX-, 'cold signal')
3	Signal (DMX+, 'hot signal')

10 Troubleshooting



NOTICE!

Possible data transmission errors

For error-free operation make use of dedicated DMX cables and do not use ordinary microphone cables.

Never connect the DMX input or output to audio devices such as mixers or amplifiers.

In the following we list a few common problems that may occur during operation. We give you some suggestions for easy troubleshooting:

Symptom	Remedy
Device not working, no light	Check the mains connection and the main fuse.
Not responding to DMX controller	1. Check the DMX connectors and cables to see if they are properly linked.
	2. Check the address settings and the DMX polarity.
	3. Try using another DMX controller.
	4. Check whether the DMX cables run near or parallel to high-voltage cables that may cause damage or interference to the DMX interface circuit.
The built-in battery can no longer be recharged	Do not attempt to replace the built-in battery yourself. Please contact our service centre.

If the procedures recommended above do not succeed, please contact our Service Center. You can find the contact information at www.thomann.de.

11 Cleaning

Optical lenses

Clean the optical lenses, that are accessible from the outside, regularly in order to optimize the light output. The frequency of cleaning depends on the operating environment: wet, smoky or particularly dirty surroundings can cause more accumulation of dirt on the optics of the device.

- Clean with a soft cloth using our lamp and lens cleaner (item no. 280122).
- Always dry the parts carefully.

Fan grids

The fan grids of the device must be cleaned of any contamination, such as dust, etc. on a regular basis. Before cleaning, switch off the device and disconnect mains-operated devices from the mains. Only use pH-neutral, solvent-free and non-abrasive cleaning agents. Clean the unit with a slightly damp lint-free cloth.

12 Protecting the environment

Disposal of the packaging material



For the packaging, environmentally friendly materials have been chosen that can be supplied to normal recycling.

Ensure that plastic bags, packaging, etc. are properly disposed of.

Do not just dispose of these materials with your normal household waste, but make sure that they are collected for recycling. Please follow the notes and markings on the packaging.

Disposal of batteries



Batteries do contain some hazardous chemicals so they should not be thrown away with the normal household waste. They should be returned to the manufacturer for disposal or recycled elsewhere in accordance with your local regulations.

Remove lithium batteries from the device before disposal. Protect used lithium batteries against potential short circuits, e.g. by covering the poles with adhesive tape. Dispose the built-in lithium batteries together with the device. Please check for an appropriate reception facility.

Disposal of your old device



This product is subject to the European Waste Electrical and Electronic Equipment Directive (WEEE) in its currently valid version. Do not dispose with your normal household waste.

Dispose of this device through an approved waste disposal firm or through your local waste facility. When discarding the device, comply with the rules and regulations that apply in your country. If in doubt, consult your local waste disposal facility.

