

User Manual



Crown FX

LED Spotlight

Thomann GmbH

Hans-Thomann-Straße 1

96138 Burgebrach

Germany

Telephone: +49 (0) 9546 9223-0

Internet: www.thomann.de

11.01.2024, ID: 416120 (V3)

Table of contents

1	General information	6
	1.1 Symbols and signal words.....	6
2	Safety instructions	9
3	Features	13
4	Installation	14
5	Starting up	18
6	Connections and operating elements	20
7	Operating	22
	7.1 Operation on the device.....	22
	7.2 Remote control functions.....	26
	7.3 Menu overview.....	28
	7.4 Functions in 2-channel DMX mode.....	29
	7.5 Functions in 6-channel DMX mode.....	32
	7.6 Functions in 9-channel DMX mode.....	33
	7.7 Functions in 16-channel DMX mode.....	35
	7.8 Functions in 22-channel DMX mode.....	37
8	Technical specifications	42
9	Cleaning	44

10	Protecting the environment.....	45
-----------	--	-----------






1 General information


This document contains important instructions for the safe operation of the product. Read and follow the safety instructions and all other instructions. Keep the document for future reference. Make sure that it is available to all those using the product. If you sell the product to another user, be sure that they also receive this document.

Our products and documentation are subject to a process of continuous development. They are therefore subject to change. Please refer to the latest version of the documentation, which is ready for download under www.thomann.de.

1.1 Symbols and signal words

In this section you will find an overview of the meaning of symbols and signal words that are used in this document.

Signal word	Meaning
DANGER!	This combination of symbol and signal word indicates an immediate dangerous situation that will result in death or serious injury if it is not avoided.
WARNING!	This combination of symbol and signal word indicates a possible dangerous situation that can result in death or serious injury if it is not avoided.
NOTICE!	This combination of symbol and signal word indicates a possible dangerous situation that can result in material and environmental damage if it is not avoided.
Warning signs	Type of danger
	Warning – high-voltage.
	Warning – dangerous optical radiation.
	Warning – suspended load.

Warning signs	Type of danger
	Warning – danger zone.

2 Safety instructions

Intended use

This device is intended for use as an electronic lighting effect by means of LED technology. The device is designed for professional use only and is not suitable for use in households. Use the device only as described in this user manual. Any other use or use under other operating conditions is considered to be improper and may result in personal injury or property damage. No liability will be assumed for damages resulting from improper use.

This device may be used only by persons with sufficient physical, sensorial, and intellectual abilities and having corresponding knowledge and experience. Other persons may use this device only if they are supervised or instructed by a person who is responsible for their safety.



Extend the operating life of the device by regular breaks and by avoiding frequent switching on and off. The device is not suitable for continuous operation.

Safety



DANGER!

Risk of injury and choking hazard for children!

Children can suffocate on packaging material and small parts. Children can injure themselves when handling the device. Never allow children to play with the packaging material and the device. Always store packaging material out of the reach of babies and small children. Always dispose of packaging material properly when it is not in use. Never allow children to use the device without supervision. Keep small parts away from children and make sure that the device does not shed any small parts (such knobs) that children could play with.



DANGER!

Danger to life due to electric current!

Within the device there are areas where high voltages may be present. Never remove any covers. There are no user-serviceable parts inside. Do not use the device when covers, safety equipment or optical components are missing or damaged.



DANGER!

Danger to life due to electric current!

A short circuit could lead to a fire hazard and risk of death. Always use proper ready-made insulated triple-core mains cable with a safety plug. Do not modify the mains cable or the plug. In case of isolation damage, disconnect immediately the power supply and arrange repair. If in doubt, seek advice from a qualified electrician.



WARNING!

Risk of eye damage caused by high light intensity!

The device generates highly intense light radiation. Looking directly into the light source can damage the eyes. Never look directly into the light source.



WARNING!

Risk of epileptic fit due to flashing lights!

The device emits flashing lights (strobe effects). Flashing lights can trigger epileptic fits in specific people. If you are at risk of epilepsy, avoid spending longer periods of time subjected to flashing lights and looking into strobing light.



NOTICE!

Risk of fire due to covered vents and neighbouring heat sources!

If the vents of the device are covered or the device is operated in the immediate vicinity of other heat sources, the device can over-heat and burst into flames. Never cover the device or the vents. Do not install the device in the immediate vicinity of other heat sources. Never operate the device in the immediate vicinity of naked flames.

**NOTICE!****Damage to the device if operated in unsuitable ambient conditions!**

The device can be damaged if it is operated in unsuitable ambient conditions. Only operate the device indoors within the ambient conditions specified in the “Technical specifications” chapter of this user manual. Avoid operating it in environments with direct sunlight, heavy dirt and strong vibrations. Avoid operating it in environments with strong temperature fluctuations. If temperature fluctuations cannot be avoided (for example after transport in low outside temperatures), do not switch on the device immediately. Never subject the device to liquids or moisture. Never move the device to another location while it is in operation. In environments with increased dirt levels (for example due to dust, smoke, nicotine or mist): Have the device cleaned by qualified specialists at regular intervals to prevent damage due to overheating and other malfunctions.

**NOTICE!****Damage to the device due to high voltages!**

The device can be damaged if it is operated with the incorrect voltage or if high voltage peaks occur. In the worst case, excess voltages can also cause a risk of injury and fires. Make sure that the voltage specification on the device matches the local power grid before plugging in the device. Only operate the device from professionally installed mains sockets that are protected by a residual current circuit breaker (FI). As a precaution, disconnect the device from the power grid when storms are approaching or if the device will not be used for a longer period.

**NOTICE!****Risk of fire by exceeding the maximum current**

The device can supply power to other devices of identical design and connected in series. If too many devices are connected, the power consumption can exceed the maximum permitted power consumption, which can cause the device to overheat and burst into flames. Only connect devices of identical design to the device. When deciding how many devices you can connect in series, make sure that the maximum permitted power consumption as stated on the device is not exceeded. Also refer to the specifications in the technical specifications for the device. Only use power cords with a cable cross-section designed for the required current intensity when connecting the devices in series.



NOTICE!

Risk of fire due to installation of a wrong fuse!

Using fuses of a different type than compatible with the device may cause a fire and seriously damage the device. Only use fuses of the same type. Observe the labelling on the device casing and the information in the "Technical data" chapter.

3 Features

LED spotlight with stroboscope and pixel effect ring.

- 9 × RGBUV LEDs (4 W), grouped into three zones
- 1 × RGB COB LED (30 W)
- 21 × stroboscope LEDs (0.5 W)
- Control via DMX (four modes), the supplied remote control and via buttons and display on the unit
- 17 preprogrammed automatic shows
- Sound control
- Master / Slave operation

For technological reasons, the light output of LEDs decreases over their lifetime. This effect increases with higher operating temperature. You can extend the service life of the illuminants by providing adequate ventilation and operating the LEDs with the lowest possible brightness.

4 Installation

Unpack and check carefully there is no transportation damage before using the unit. Keep the equipment packaging. To fully protect the product against vibration, dust and moisture during transportation or storage use the original packaging or your own packaging material suitable for transport or storage, respectively.

Mounting options

You can install the device in hanging or standing positions. When in use, the device must always be attached to a solid surface or an approved mount. Use the openings provided on the two-piece bracket for attaching.

Always work from a stable platform whenever installing, moving or servicing the device. While you do this, the area underneath the device must be cordoned off.

The safety cable must be threaded through the safety cable eyelet.

**WARNING!****Risk of injury from falling devices that were inadequately secured!**

If devices are not properly secured during assembly, they can cause severe injury and considerable damage by falling.

When installing and operating, make sure to follow the standards and regulations that apply in your country.

Always secure the device with a secondary safety attachment, such as a safety cable or a safety chain.

**NOTICE!****Risk of overheating and fire due to inadequate distance and bad ventilation!**

If the distance between the light source and the illuminated surface is too short or the device is badly ventilated, the device can overheat and cause fires.

Make sure that illuminated surfaces are more than 2 m away.

Do not operate the device in ambient temperatures above 40 °C.

Always ensure sufficient ventilation at the operating location.



NOTICE!

Potential property damage due to unsuitable stands!

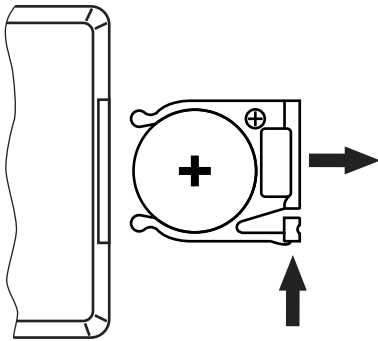
If the device is mounted on an unsuitable stand, there is a risk that the stand will fall over and cause damage.

Only use stands whose maximum bearing capacity is at least as high as the weight of the device. Always ensure that the stand is stable.

Infrared sensor for the remote control

The infrared sensor for the signals of the remote control is located on the front, near the central LED. Make sure it is not obstructed.

Inserting the battery into the remote control



Push the lock of the battery holder towards the centre of the housing and pull out the battery holder like a drawer. Insert the batteries. The battery is correct if the positive pole points to the housing base of the remote control. Slide the battery holder back into the remote until it clicks into place.

When shipping, the battery is already installed in the remote and protected against discharge by a transparent plastic film. Remove the plastic film before initial use.



NOTICE!

Risk of fire due to incorrect polarity!

Incorrectly inserted batteries may cause fires and destroy the device and the batteries.

Observe the markings on the batteries and on the device.

Ensure that proper polarity is observed when inserting batteries.



NOTICE!

Possible damage due to leaking batteries!

Batteries can leak and cause permanent damage to the device.

Take the batteries out of the device if it is not going to be used for an extended period of time.

5 Starting up

Create all connections while the device is off. Use the shortest possible high-quality cables for all connections. Take care when running the cables to prevent tripping hazards.



NOTICE!

Data transfer errors due to improper wiring!

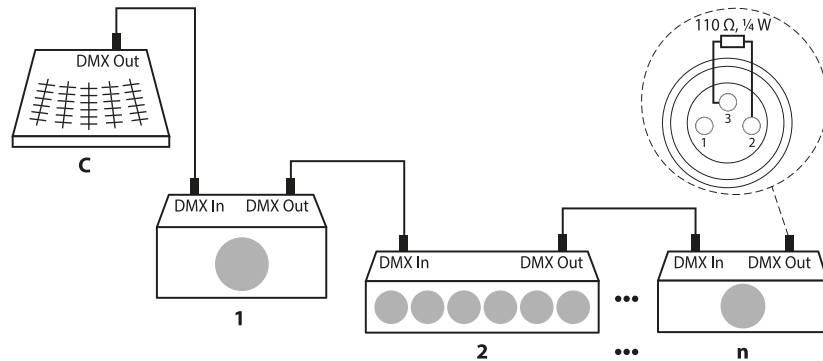
If the DMX connections are wired incorrectly, this can cause errors during the data transfer.

Do not connect the DMX input and output to audio devices, e.g. mixers or amplifiers.

Use special DMX cables for the wiring instead of normal microphone cables.

Connections in DMX mode

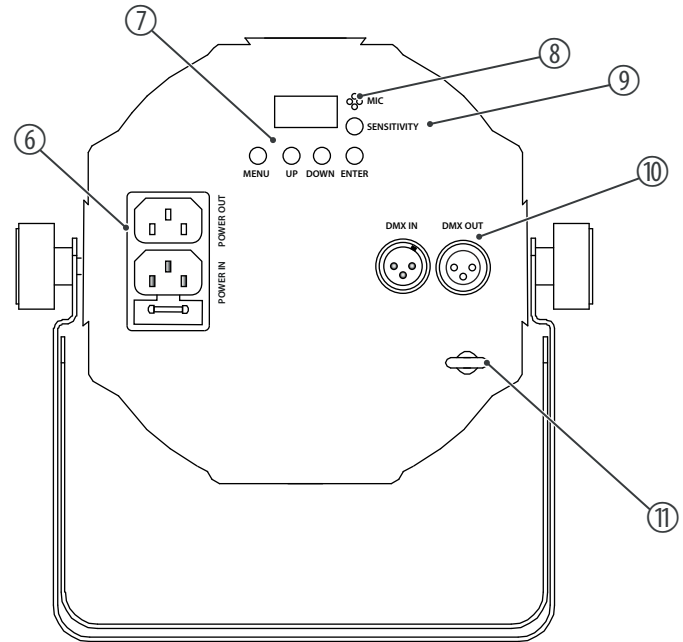
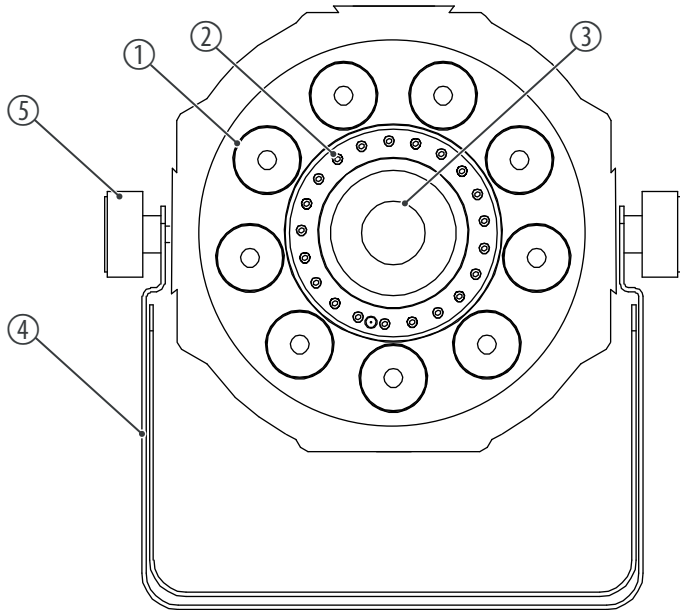
Connect the DMX input of the device to the DMX output of a DMX controller or another DMX device. Connect the output of the first DMX device to the input of the second one, and so on to form a daisy chain. Always ensure that the output of the last DMX device in the daisy chain is terminated with a resistor ($110\ \Omega$, $\frac{1}{4}\ \text{W}$).



Connections in master/slave mode

When you configure a group of devices in master/slave mode, the first unit will control the other units for an automatic, sound-activated, synchronized show. This function is ideal when you want to start a show immediately. Connect the DMX output of the master device to the DMX input of the first slave device. Then connect the DMX output of the first slave device to the DMX input of the second slave device and so on.

6 Connections and operating elements



1	9 × RGBUV LEDs, grouped into three zones
2	21 × Strobe LEDs
3	1 × RGB COB LED
4	Mounting bracket
5	Locking screws for the mounting bracket.
6	<i>[POWER OUT]</i> IEC chassis socket to supply another device with mains voltage <i>[POWER IN]</i> IEC chassis plug for the mains connection with fuse holder
7	Display and control buttons <i>[MENU]</i> Activates the main menu and switches between menu items. <i>[UP]</i> Increases the displayed value by one. <i>[DOWN]</i> Decreases the displayed value by one. <i>[ENTER]</i> Selects an option of the respective operating mode.
8	<i>[MIC]</i> Built-in microphone for sound control mode
9	<i>[SENSITIVITY]</i> Control for adjusting the sensitivity of the built-in microphone
10	<i>[DMX IN]</i> DMX input, designed as XLR chassis plug <i>[DMX OUT]</i> DMX output, designed as XLR chassis socket
11	Safety cable eyelet

7 Operating

7.1 Operation on the device

Connect the device to the mains to start operation. All functions of the device are controlled via the buttons and display on the device and the supplied remote control.

Press *[MENU]* to open the main menu. Use *[UP]* and *[DOWN]* to select a submenu or to change the indicated value. When the display shows the required value, press *[ENTER]*.

“Automatic” operating mode

In automatic mode, you can call up one of 17 automatic shows. This setting is only relevant if the device is not controlled via DMX.

Press *[MENU]* repeatedly until the display shows ‘Aut’. Confirm with *[ENTER]* and use *[UP]* or *[DOWN]* to select one of 17 LED shows ‘P01’ ... ‘P17’. Confirm with *[ENTER]*. The display shows ‘Sxx’. Use *[UP]* or *[DOWN]* to set the programme speed in a range from ‘S01’ (slow) to ‘S99’ (fast). Confirm again with *[ENTER]* to apply the setting.

“Sound” operating mode

In sound-controlled mode, you have the option to select one of 13 colour LED shows. This setting is only relevant if the device is not controlled via DMX. The programme control is based on the signals received via the built-in microphone. The sensitivity of the built-in microphone is set manually via the controller on the device.

Press *[MENU]* repeatedly until the display shows ‘Sou’. Confirm with *[ENTER]* and use *[UP]* or *[DOWN]* to select one of 13 colour LED shows ‘S01’ ... ‘S12’. Confirm with *[ENTER]* to apply the setting.

Constant colour pattern

In this mode, you can manually set a constant colour pattern for all LEDs. This setting is only relevant if the device is not controlled via DMX.

Press *[MENU]* repeatedly until the display shows 'CoLo'.

Use *[UP]* or *[DOWN]* to select the submenu 'r.xxx'. Confirm with *[ENTER]* and use *[UP]* or *[DOWN]* to adjust the intensity of the colour red for all LEDs in a range from 'r.000' ... 'r.255'. Confirm with *[ENTER]*.

Use *[UP]* or *[DOWN]* to select the submenu 'G.xxx'. Confirm with *[ENTER]* and use *[UP]* or *[DOWN]* to adjust the intensity of the colour green for all LEDs in a range from 'G.000' ... 'G.255'. Confirm with *[ENTER]*.

Use *[UP]* or *[DOWN]* to select the submenu 'b.xxx'. Confirm with *[ENTER]* and use *[UP]* or *[DOWN]* to adjust the intensity of the colour blue for all LEDs in a range from 'b.000' ... 'b.255'. Confirm with *[ENTER]*.

Use *[UP]* or *[DOWN]* to select the submenu 'U.xxx'. Confirm with *[ENTER]* and use *[UP]* or *[DOWN]* to adjust the intensity of the colour white for all LEDs in a range from 'U.000' ... 'U.255'. Confirm with *[ENTER]*.

Use *[UP]* or *[DOWN]* to select the submenu 'S.xxx'. Confirm with *[ENTER]* and use *[UP]* and *[DOWN]* to set the flash frequency for the strobe effect in a range from 'S.001' (slow) to 'S.099' (fast). Confirm again with *[ENTER]* to apply the setting.

DMX mode

This setting is only relevant when the device is controlled via DMX.

Press *[MENU]* repeatedly until the display shows 'dMH'. Confirm with *[ENTER]* and use *[UP]* or *[DOWN]* to select the desired DMX mode.

Mode	Display	Highest possible DMX address
2-channel	'02Ch'	511
6-channel	'06Ch'	507
9-channel	'09Ch'	504
16-channel	'16Ch'	497
22-channel	'22Ch'	491

Confirm with *[ENTER]*. Now you can set the number of the first DMX channel to be used by the device (DMX address). Use *[UP]* and *[DOWN]* to select a value between 'd001' ... 'd511' and confirm with *[ENTER]*.

“Slave” operating mode

This setting is only relevant when the device is the slave in a master/slave configuration and is not operated via DMX.

Press *[MENU]* repeatedly until the display shows 'SLA'. Press *[ENTER]* to activate slave mode.

Power saving mode

In this menu, you have the option to enable power saving mode.

Press *[MENU]* repeatedly until the display shows 'SyS'. Use *[UP]* or *[DOWN]* to select the option 'LEds'. Confirm with *[ENTER]*.

Use *[UP]* and *[DOWN]* to select the option 'oN' to enable power saving mode, or 'oFF' to disable the mode. Confirm with *[ENTER]* to apply the setting.

Rotating display by 180°

In this menu, you have the option to rotate the display by 180°. This makes it easier to read the display if the device is installed overhead.

Press *[MENU]* repeatedly until the display shows 'SyS'. Use *[UP]* or *[DOWN]* to select the option 'LEdr'. Confirm with *[ENTER]*.

Use *[UP]* and *[DOWN]* to select the option 'oN' to rotate the display by 180°, or 'oFF' for normal display. Confirm with *[ENTER]* to apply the setting.

Resetting to factory defaults

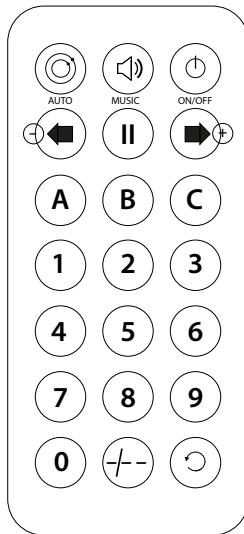
Proceed as follows to reset the device to factory defaults:

Press *[MENU]* repeatedly until the display shows 'SyS'. Use *[UP]* or *[DOWN]* to select the option 'rEST'.

Confirm with *[ENTER]* to reset the device to factory defaults.

7.2 Remote control functions

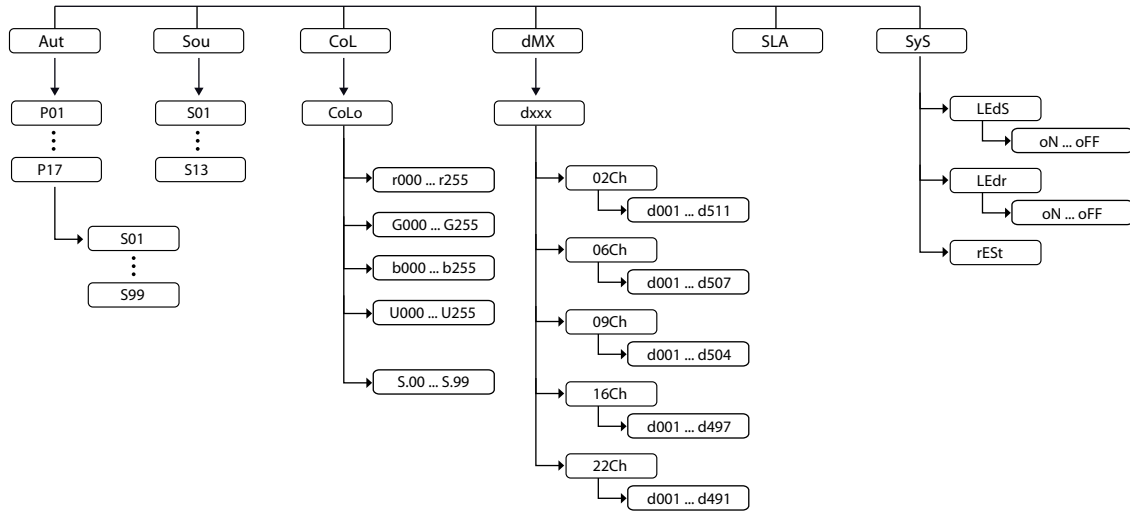
The device functions can be controlled via the included remote control. To use the remote control, point its infrared diode at the infrared sensor on the device and press the required buttons.



Button labelling	Function
[AUTO]	Enable/disable automatic mode, select programme P01 ... P17.
[MUSIC]	Enable/disable sound-controlled mode, select mode S01 ... S13.
[ON/OFF]	Blackout
[-]	Select fixed colour C01 ... C23.
[II]	Pause button
[+]	Select fixed colour C01 ... C23.
[A]	No function.
[B]	No function.
[C]	No function.
[0] ... [9]	Selection of the programme speed (0 = slow, 9 = fast)

Button labelling	Function
[/--]	No function.
Arrow button	Button to switch between auto and sound-controlled mode.

7.3 Menu overview



7.4 Functions in 2-channel DMX mode

Channel	Value	Function
1	0 ... 5	All LEDs off
	6 ... 19	Auto programme 1, if channel 2 = 0 ... 250 Sound programme 1, if channel 2 = 251 ... 255
	20 ... 34	Auto programme 2, if channel 2 = 0 ... 250 Sound programme 2, if channel 2 = 251 ... 255
	35 ... 48	Auto programme 3, if channel 2 = 0 ... 250 Sound programme 3, if channel 2 = 251 ... 255
	49 ... 63	Auto programme 4, if channel 2 = 0 ... 250 Sound programme 4, if channel 2 = 251 ... 255
	64 ... 77	Auto programme 5, if channel 2 = 0 ... 250 Sound programme 5, if channel 2 = 251 ... 255
	78 ... 92	Auto programme 6, if channel 2 = 0 ... 250 Sound programme 6, if channel 2 = 251 ... 255
	93 ... 106	Auto programme 7, if channel 2 = 0 ... 250 Sound programme 7, if channel 2 = 251 ... 255

Channel	Value	Function
	107 ... 121	Auto programme 8, if channel 2 = 0 ... 250 Sound programme 8, if channel 2 = 251 ... 255
	122 ... 135	Auto programme 9, if channel 2 = 0 ... 250 Sound programme 9, if channel 2 = 251 ... 255
	136 ... 150	Auto programme 10, if channel 2 = 0 ... 250 Sound programme 10, if channel 2 = 251 ... 255
	151 ... 164	Auto programme 11, if channel 2 = 0 ... 250 Sound programme 11, if channel 2 = 251 ... 255
	165 ... 179	Auto programme 12, if channel 2 = 0 ... 250 Sound programme 12, if channel 2 = 251 ... 255
	180 ... 193	Auto programme 13, if channel 2 = 0 ... 250 Sound programme 13, if channel 2 = 251 ... 255
	194 ... 208	Auto programme 14, if channel 2 = 0 ... 250 Sound programme 13, if channel 2 = 251 ... 255
	209 ... 222	Auto programme 15, if channel 2 = 0 ... 250 Sound programme 13, if channel 2 = 251 ... 255

Channel	Value	Function
	223 ... 237	Auto programme 16, if channel 2 = 0 ... 250 Sound programme 13, if channel 2 = 251 ... 255
	238 ... 255	Auto programme 17, if channel 2 = 0 ... 250 Sound programme 13, if channel 2 = 251 ... 255
2	0 ... 250	Programme speed increasing
	251 ... 255	Sound-controlled mode, specifies the auto programme / sound programme setting for channel 1

7.5 Functions in 6-channel DMX mode

Channel	Value	Function
1	0 ... 255	Red intensity (0% to 100%), PAR and COB LEDs
2	0 ... 255	Green intensity (0% to 100%), PAR and COB LEDs
3	0 ... 255	Blue intensity (0% to 100%), PAR and COB LEDs
4	0 ... 255	UV intensity (0% to 100%), PAR and COB LEDs
5	0 ... 5	Strobe effect off
	6 ... 250	Strobe effect, increasing speed, all colour LEDs
	251 ... 255	Strobe effect sound mode, all colour LEDs
6	0 ... 5	No function
	6 ... 20	Strobe LED ring constantly on
	21 ... 250	Strobe effect, increasing speed, strobe LED ring
	251 ... 255	Strobe effect sound mode, strobe LED ring

7.6 Functions in 9-channel DMX mode

Channel	Value	Function
1	0 ... 255	Red intensity (0% to 100%), PAR LEDs
2	0 ... 255	Green intensity (0% to 100%), PAR LEDs
3	0 ... 255	Blue intensity (0% to 100%), PAR LEDs
4	0 ... 255	UV intensity (0% to 100%), PAR LEDs
5	0 ... 255	Red intensity (0% to 100%), COB LED
6	0 ... 255	Green intensity (0% to 100%), COB LED
7	0 ... 255	Blue intensity (0% to 100%), COB LED
8	0 ... 5	Strobe effect off
	6 ... 250	Strobe effect, increasing speed, all colour LEDs
	251 ... 255	Strobe effect sound mode, all colour LEDs
9	0 ... 5	No function
	6 ... 20	Strobe LED ring constantly on

Channel	Value	Function
	21 ... 250	Strobe effect, increasing speed, strobe LED ring
	251 ... 255	Strobe effect sound mode, strobe LED ring

7.7 Functions in 16-channel DMX mode

Channel	Value	Function
1	0 ... 255	Red intensity (0% to 100%), PAR LEDs zone 1
2	0 ... 255	Green intensity (0% to 100%), PAR LEDs zone 1
3	0 ... 255	Blue intensity (0% to 100%), PAR LEDs zone 1
4	0 ... 255	UV intensity (0% to 100%), PAR LEDs zone 1
5	0 ... 255	Red intensity (0% to 100%), PAR LEDs zone 2
6	0 ... 255	Green intensity (0% to 100%), PAR LEDs zone 2
7	0 ... 255	Blue intensity (0% to 100%), PAR LEDs zone 2
8	0 ... 255	UV intensity (0% to 100%), PAR LEDs zone 2
9	0 ... 255	Red intensity (0% to 100%), PAR LEDs zone 3
10	0 ... 255	Green intensity (0% to 100%), PAR LEDs zone 3
11	0 ... 255	Blue intensity (0% to 100%), PAR LEDs zone 3
12	0 ... 255	UV intensity (0% to 100%), PAR LEDs zone 3
13	0 ... 255	Red intensity (0% to 100%), COB LED
14	0 ... 255	Green intensity (0% to 100%), COB LED

Channel	Value	Function
15	0 ... 255	Blue intensity (0% to 100%), COB LED
16	0 ... 255	White intensity (0% to 100%), LED ring

7.8 Functions in 22-channel DMX mode

Channel	Value	Function
1	0 ... 255	Red intensity (0% to 100%), PAR LEDs zone 1
2	0 ... 255	Green intensity (0% to 100%), PAR LEDs zone 1
3	0 ... 255	Blue intensity (0% to 100%), PAR LEDs zone 1
4	0 ... 255	UV intensity (0% to 100%), PAR LEDs zone 1
5	0 ... 5	Strobe effect off, zone 1
	6 ... 250	Strobe effect, increasing speed, zone 1
	251 ... 255	Strobe effect sound mode, zone 1
6	0 ... 255	Red intensity (0% to 100%), PAR LEDs zone 2
7	0 ... 255	Green intensity (0% to 100%), PAR LEDs zone 2
8	0 ... 255	Blue intensity (0% to 100%), PAR LEDs zone 2
9	0 ... 255	UV intensity (0% to 100%), PAR LEDs zone 2
10	0 ... 5	Strobe effect off, zone 2
	6 ... 250	Strobe effect, increasing speed, zone 2
	251 ... 255	Strobe effect sound mode, zone 2

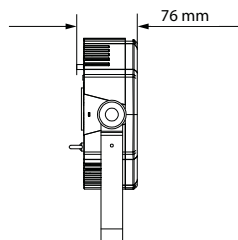
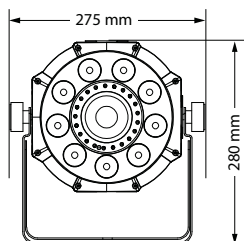
Channel	Value	Function
11	0 ... 255	Red intensity (0% to 100%), PAR LEDs zone 3
12	0 ... 255	Green intensity (0% to 100%), PAR LEDs zone 3
13	0 ... 255	Blue intensity (0% to 100%), PAR LEDs zone 3
14	0 ... 255	UV intensity (0% to 100%), PAR LEDs zone 3
15	0 ... 5	Strobe effect off, zone 3
	6 ... 250	Strobe effect, increasing speed, zone 3
	251 ... 255	Strobe effect sound mode, zone 3
16	0 ... 255	Red intensity (0% to 100%), COB LED
17	0 ... 255	Green intensity (0% to 100%), COB LED
18	0 ... 255	Blue intensity (0% to 100%), COB LED
19	0 ... 5	Strobe effect off
	6 ... 250	Strobe effect, increasing speed, COB LED
	251 ... 255	Strobe effect sound mode, COB LED
20	0 ... 5	No function
	6 ... 20	Strobe LED ring constantly on
	21 ... 250	Strobe effect, increasing speed, strobe LED ring

Channel	Value	Function
	251 ... 255	Strobe effect sound mode, strobe LED ring
21	0 ... 5	All LEDs off
	6 ... 19	Auto programme 1, if channel 22 = 0 ... 250 Sound programme 1, if channel 22 = 251 ... 255
	20 ... 34	Auto programme 2, if channel 22 = 0 ... 250 Sound programme 2, if channel 22 = 251 ... 255
	35 ... 48	Auto programme 3, if channel 22 = 0 ... 250 Sound programme 3, if channel 22 = 251 ... 255
	49 ... 63	Auto programme 4, if channel 22 = 0 ... 250 Sound programme 4, if channel 22 = 251 ... 255
	64 ... 77	Auto programme 5, if channel 22 = 0 ... 250 Sound programme 5, if channel 22 = 251 ... 255
	78 ... 92	Auto programme 6, if channel 22 = 0 ... 250 Sound programme 6, if channel 22 = 251 ... 255
	93 ... 106	Auto programme 7, if channel 22 = 0 ... 250 Sound programme 7, if channel 22 = 251 ... 255

Channel	Value	Function
	107 ... 121	Auto programme 8, if channel 22 = 0 ... 250 Sound programme 8, if channel 22 = 251 ... 255
	122 ... 135	Auto programme 9, if channel 22 = 0 ... 250 Sound programme 9, if channel 22 = 251 ... 255
	136 ... 150	Auto programme 10, if channel 22 = 0 ... 250 Sound programme 10, if channel 22 = 251 ... 255
	151 ... 164	Auto programme 11, if channel 22 = 0 ... 250 Sound programme 11, if channel 22 = 251 ... 255
	165 ... 179	Auto programme 12, if channel 22 = 0 ... 250 Sound programme 12, if channel 22 = 251 ... 255
	180 ... 193	Auto programme 13, if channel 22 = 0 ... 250 Sound programme 13, if channel 22 = 251 ... 255
	194 ... 208	Auto programme 14, if channel 22 = 0 ... 250 Sound programme 13, if channel 22 = 251 ... 255
	209 ... 222	Auto programme 15, if channel 22 = 0 ... 250 Sound programme 13, if channel 22 = 251 ... 255

Channel	Value	Function
	223 ... 237	Auto programme 16, if channel 22 = 0 ... 250 Sound programme 13, if channel 22 = 251 ... 255
	238 ... 255	Auto programme 17, if channel 22 = 0 ... 250 Sound programme 13, if channel 22 = 251 ... 255
22	0 ... 250	Programme speed increasing
	251 ... 255	Sound-controlled mode, specifies the auto programme / sound programme setting for channel 21

8 Technical specifications



Light source	9 × RGBUV LEDs (4 W), grouped into three zones 1 × RGB COB LED (30 W) 21 × stroboscope LEDs (0.5 W)	
Optical properties	Beam angle	40°
Control	DMX, infrared remote control, buttons and display on the device	
Number of DMX channels	2, 6, 9, 16 or 22	
Input connections	Power supply	IEC chassis plug C14
	DMX control	XLR chassis socket, 3-pin
Output connections	Power supply of further devices	IEC chassis plug C13
	DMX control	XLR chassis socket, 3-pin
Power consumption	78 W	
Supply voltage	100 - 240 V ~ 50/60 Hz	
Battery remote control	Lithium-ions button cell CR2025, 3 V	
Fuse	5 mm × 20 mm, 1,6 A, 250 V, slow-blow	

Degree of protection	IP20	
Mounting options	Hanging, standing	
Dimensions (W × H × D)	275 mm × 280 mm × 76 mm	
Weight	Approx. 1.7 kg	
Ambient conditions	Temperature range	0 °C...40 °C
	Relative humidity	20 %...80 % (non-condensing)

Further information

Similar design	Combined device
DMX control	Yes
Master/Slave	Yes
Remote control	included
Sound control	Yes
Display	Yes

9 Cleaning

Device components

Clean the device components that are accessible from the outside regularly. The cleaning frequency depends on the operating environment: damp, smoky or particularly dirty environments can cause greater accumulation of dirt on the device components.

- Clean with a dry soft cloth.
- Stubborn dirt can be removed with a slightly dampened cloth.
- Never use solvents or alcohol for cleaning.

10 Protecting the environment

Disposal of the packing material



Environmentally friendly materials have been chosen for the packaging. These materials can be sent for normal recycling. Ensure that plastic bags, packaging, etc. are disposed of in the proper manner.

Do not dispose of these materials with your normal household waste, but make sure that they are collected for recycling. Please follow the instructions and markings on the packaging.



Observe the disposal note regarding documentation in France.

Disposal of batteries



Batteries do contain some hazardous chemicals so they should not be thrown away with the normal household waste. They should be returned to the manufacturer for disposal or recycled elsewhere in accordance with your local regulations.

Only dispose of lithium batteries when they are empty. Remove lithium batteries from the device before disposal if this is possible without destroying it. Protect used lithium batteries against short circuit, for example by taping the poles. Dispose the built-in lithium batteries together with the device. Check for an appropriate collection facility.

Dispose of the batteries and rechargeable batteries at relevant collection points or through your local waste facility.

Disposal of your old device



This product is subject to the European Waste Electrical and Electronic Equipment Directive (WEEE) as amended.

Do not dispose of your old device with your normal household waste; instead, deliver it for controlled disposal by an approved waste disposal firm or through your local waste facility. When disposing of the device, comply with the rules and regulations that apply in your country. If in doubt, consult your local waste management facility. Proper disposal protects the environment as well as the health of your fellow human beings.

Also note that waste avoidance is a valuable contribution to environmental protection. Repairing a device or passing it on to another user is an ecologically valuable alternative to disposal.

You can return your old device to Thomann GmbH at no charge. Check the current conditions on www.thomann.de.

If your old device contains personal data, delete those data before disposing of it.

