



PDS 16S IP44
PDS 32S IP44

mobile
voltage distributor

Musikhaus Thomann
Thomann GmbH
Hans-Thomann-Straße 1
96138 Burgebrach
Germany
Telephone: +49 (0) 9546 9223-0
E-mail: info@thomann.de
Internet: www.thomann.de

27.09.2017, ID: 418449, 418450

Table of contents

1	General information	4
	1.1 Further information.....	5
	1.2 Notational conventions.....	6
	1.3 Symbols and signal words.....	6
2	Safety instructions	8
3	Features	11
4	Installation and starting up	12
5	Connections and controls	14
6	Technical specifications	16
7	Protecting the environment	17

1 General information

This manual contains important instructions for the safe operation of the unit. Read and follow the safety instructions and all other instructions. Keep the manual for future reference. Make sure that it is available to all those using the device. If you sell the unit please make sure that the buyer also receives this manual.

Our products are subject to a process of continuous development. Thus, they are subject to change.

1.1 Further information

On our website (www.thomann.de) you will find lots of further information and details on the following points:

Download	This manual is also available as PDF file for you to download.
Keyword search	Use the search function in the electronic version to find the topics of interest for you quickly.
Online guides	Our online guides provide detailed information on technical basics and terms.
Personal consultation	For personal consultation please contact our technical hotline.
Service	If you have any problems with the device the customer service will gladly assist you.

1.2 Notational conventions

This manual uses the following notational conventions:

Instructions



The individual steps of an instruction are numbered consecutively. The result of a step is indented and highlighted by an arrow.

Example:

1. ▶ Switch on the device.
2. ▶ Press *[Auto]*.
 - ⇒ Automatic operation is started.
3. ▶ Switch off the device.

1.3 Symbols and signal words

In this section you will find an overview of the meaning of symbols and signal words that are used in this manual.

Signal word	Meaning
DANGER!	This combination of symbol and signal word indicates an immediate dangerous situation that will result in death or serious injury if it is not avoided.
NOTICE!	This combination of symbol and signal word indicates a possible dangerous situation that can result in material and environmental damage if it is not avoided.
Warning signs	Type of danger
	Warning – high-voltage.
	Warning – danger zone.

2 Safety instructions

Intended use

This unit serves as a mobile voltage distributor to distribute electrical energy from a CEE DC current connection (three-phase) to multiple shockproof sockets (one phase each). The device is designed for professional use and is not suitable for use in households. Use the device only as described in this user manual. Any other use or use under other operating conditions is considered to be improper and may result in personal injury or property damage. No liability will be assumed for damages resulting from improper use.

This device may be used only by persons with sufficient physical, sensorial, and intellectual abilities and having corresponding knowledge and experience. Other persons may use this device only if they are supervised or instructed by a person who is responsible for their safety.

Safety**DANGER!****Danger for children**

Ensure that plastic bags, packaging, etc. are disposed of properly and are not within reach of babies and young children. Choking hazard!

Ensure that children do not detach any small parts (e.g. knobs or the like) from the unit. They could swallow the pieces and choke!

Never let children unattended use electrical devices.

**DANGER!****Electric shock caused by high voltages inside**

Within the device there are areas where high voltages may be present. Never remove any covers.

There are no user-serviceable parts inside.

Do not use the device if covers, protectors or optical components are missing or damaged.



DANGER!

Electric shock caused by short circuit

Always use a correctly insulated CEE cable to connect the unit to the 400 V network. Do not make any changes or modifications to the CEE cable and CEE plugs. Failure to do so could result in electric shock leading to death or fire. If in doubt, seek advice from a registered electrician.



NOTICE!

Power supply

Before connecting the device, ensure that the input voltage (AC outlet) matches the voltage rating of the device and that the AC outlet is protected by a residual current circuit breaker. Failure to do so could result in damage to the device and possibly injure the user.

Unplug the device before electrical storms occur and when it is unused for long periods of time to reduce the risk of electric shock or fire.

3 Features

Mobile voltage distributor to supply up to six 230 V units.

Special features of the device:

- CEE connection
 - PDS 16S: 400 V 16 A, 5-pin
 - PDS 32S: 400 V 32 A, 5-pin
- Six integrated shockproof sockets
- Safety via a residual current circuit breaker with cable circuit breaker
- Separate earthing connection
- Protected cable bushing
- Protection type IP44, suitable for outdoor use

4 Installation and starting up

Unpack and carefully check that there is no transportation damage before using the unit. Keep the equipment packaging. To fully protect the device against vibration, dust and moisture during transportation or storage use the original packaging or your own packaging material suitable for transport or storage, respectively.

Note all applicable safety and accident prevention regulations.

Always position the mobile voltage distributor with the even side facing downwards. If the mobile voltage distributor is positioned on a metal surface, additional earthing is required by a qualified electrician.

Cabling

To connect the mobile voltage distributor to the 230 V units, proceed as follows:

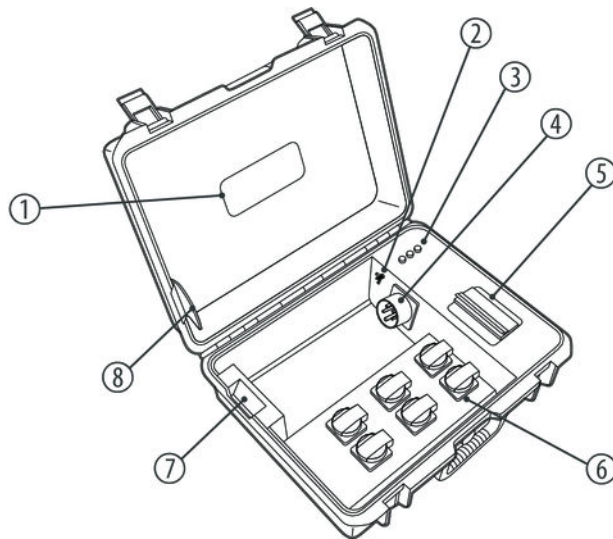
1. ▶ Unfasten the locks on the mobile voltage distributor by moving them upwards and open the case lid.
2. ▶ Connect the CEE connection on the mobile voltage distributor to the 400 V network using a suitable cable.
3. ▶ Connect up to six 230 V units to the mobile voltage distributor's shockproof sockets.
⇒ The phase control lights on the occupied shockproof sockets light up.
4. ▶ Place the cable in the cable bushing.
5. ▶ Close the mobile voltage distributor.



NOTICE!

When closing the mobile voltage distributor, ensure that the cover of the cable inlet points outwards.

5 Connections and controls



1	Type plate
2	Wing nut for securing an earthing cable
3	Phase control lights
4	Connection for a CEE plug
5	Cut-out switch
6	Shockproof sockets
7	Cable inlet
8	Cable inlet cover

6 Technical specifications

	PDS 16S	PDS 32S
CEE plug	400 V 16 A, 5-pin	400 V 32 A, 5-pin
Number of shockproof sockets	6	
Operating supply voltage	380 – 400 V ~ 50 Hz	
Output voltage	AC 230 V ~ 50 Hz	
Fuse	3 × residual current circuit breaker RCBO C 16 A / 30 mA with cable circuit breaker	3 × residual current circuit breaker RCBO C 32 A / 30 mA with cable circuit breaker
Protection class	IP44 (suitable for outdoor use)	
Dimensions (W × H × D)	510 mm × 200 mm × 410 mm	
Weight	7 kg	7.5 kg

7 Protecting the environment

Disposal of the packaging material



For the transport and protective packaging, environmentally friendly materials have been chosen that can be supplied to normal recycling.

Ensure that plastic bags, packaging, etc. are properly disposed of.

Do not just dispose of these materials with your normal household waste, but make sure that they are collected for recycling. Please follow the notes and markings on the packaging.

Disposal of your old device



This product is subject to the European Waste Electrical and Electronic Equipment Directive (WEEE). Do not dispose with your normal household waste.

Dispose of this device through an approved waste disposal firm or through your local waste facility. When discarding the device, comply with the rules and regulations that apply in your country. If in doubt, consult your local waste disposal facility.



Musikhaus Thomann · Hans-Thomann-Straße 1 · 96138 Burgebrach · Germany · www.thomann.de