



**fun**generation

PinSpot LED 3W 6,5K

PinSpot

Musikhaus Thomann  
Thomann GmbH  
Hans-Thomann-Straße 1  
96138 Burgebrach  
Germany  
Telephone: +49 (0) 9546 9223-0  
E-mail: [info@thomann.de](mailto:info@thomann.de)  
Internet: [www.thomann.de](http://www.thomann.de)

24.05.2018, ID: 427154

## Table of contents

<b>1</b>	<b>Safety instructions.....</b>	<b>4</b>
<b>2</b>	<b>Features.....</b>	<b>8</b>
<b>3</b>	<b>Installation.....</b>	<b>9</b>
<b>4</b>	<b>Connections and controls.....</b>	<b>12</b>
<b>5</b>	<b>Technical specifications.....</b>	<b>14</b>
<b>6</b>	<b>Cleaning.....</b>	<b>15</b>
<b>7</b>	<b>Changing the lens.....</b>	<b>16</b>
<b>8</b>	<b>Protecting the environment.....</b>	<b>17</b>

# 1 Safety instructions

## **Intended use**

This device is intended to be used as an electronic illumination effect using LED technics. The device is designed for professional use and is not suitable for use in households. Use the device only as described in this user manual. Any other use or use under other operating conditions is considered to be improper and may result in personal injury or property damage. No liability will be assumed for damages resulting from improper use.

This device may be used only by persons with sufficient physical, sensorial, and intellectual abilities and having corresponding knowledge and experience. Other persons may use this device only if they are supervised or instructed by a person who is responsible for their safety.

**Safety****DANGER!****Danger for children**

Ensure that plastic bags, packaging, etc. are disposed of properly and are not within reach of babies and young children. Choking hazard!

Ensure that children do not detach any small parts (e.g. knobs or the like) from the unit. They could swallow the pieces and choke!

Never let children unattended use electrical devices.

**DANGER!****Electric shock caused by high voltages inside**

Within the device there are areas where high voltages may be present. Never remove any covers.

There are no user-serviceable parts inside.

Do not use the device if covers, protectors or optical components are missing or damaged.



### **DANGER!**

#### **Electric shock caused by short-circuit**

Do not modify the mains cable or the plug. Failure to do so could result in electric shock/death or fire. If in doubt, seek advice from a registered electrician.



### **WARNING!**

#### **Eye damage caused by high light intensity**

Never look directly into the light source.



### **NOTICE!**

#### **Risk of fire**

Do not block areas of ventilation. Do not install the device near any direct heat source. Keep the device away from naked flames.



**NOTICE!**

**Operating conditions**

This device has been designed for indoor use only. To prevent damage, never expose the device to any liquid or moisture. Avoid direct sunlight, heavy dirt, and strong vibrations.



**NOTICE!**

**Power supply**

Before connecting the device, ensure that the input voltage (AC outlet) matches the voltage rating of the device and that the AC outlet is protected by a residual current circuit breaker. Failure to do so could result in damage to the device and possibly injure the user.

Unplug the device before electrical storms occur and when it is unused for long periods of time to reduce the risk of electric shock or fire.

## 2 Features

Powerful PinSpot LED spotlight.

Special features of the device:

- 3 watt CREE XPE2 white light LED with 6.500 K
- Beam angle: 3° or 10° (lenses supplied)
- Adjustable mounting bracket
- Compact and lightweight design



### 3 Installation

Unpack and carefully check that there is no transportation damage before using the unit. Keep the equipment packaging. To fully protect the device against vibration, dust and moisture during transportation or storage use the original packaging or your own packaging material suitable for transport or storage, respectively.



**WARNING!**

**Risk of injury caused by falling objects**

Make sure that the installation complies with the standards and rules that apply in your country. Always secure the device with a secondary safety attachment, such as a safety cable or a safety chain.



### **NOTICE!**

#### **Risk of overheating**

Always ensure sufficient ventilation.

The ambient temperature must always be below 40 °C (104 °F).



### **NOTICE!**

#### **Use of stands**

When mounting the device onto a stand, ensure that the stand is in a safe and stable position and that the weight of the device does not exceed the maximum permissible load capacity of the stand.

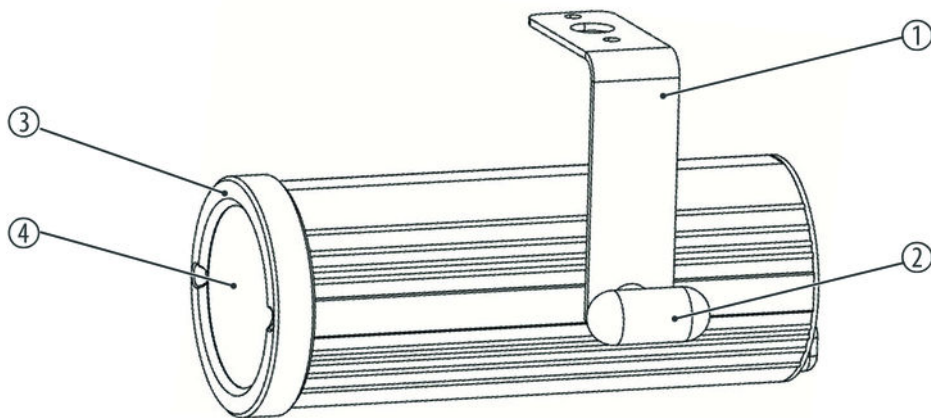
### **Mounting options**

You can install the unit in hanging or standing position. When in use, the device must always be attached to a solid surface or an approved truss. Use the openings of the bracket provided for mounting.

Always work from a stable platform whenever installing, moving or servicing the unit. In doing so, the area underneath the unit must be cordoned off.

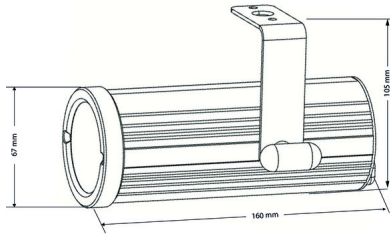
The safety cable must be threaded through the safety cable eyelet on the rear side.

## 4 Connections and controls



1	Mounting bracket
2	Locking screw for the mounting bracket.
3	Retaining ring for the lens
4	Lens

## 5 Technical specifications



Illuminant	3 W CREE XPE2 white light LED with 6.500 K
Beam angle	3° or 10°
Operating supply voltage	100 – 240 V ~ 50/60 Hz
Power consumption	3.5 W
Dimensions (L × H × D)	160 mm × 105 mm × 67 mm
Weight	0.6 kg

## 6 Cleaning

### Optical lenses

Clean the optical lenses, that are accessible from the outside, regularly in order to optimize the light output. The frequency of cleaning depends on the operating environment: wet, smoky or particularly dirty surroundings can cause more accumulation of dirt on the optics of the device.

- Clean with a soft cloth using our lamp and lens cleaner (item no. 280122).
- Always dry the parts carefully.

## 7 Changing the lens

### **This is how to change the lens:**

The spot light comes with a 3° and a 10° lens.

- 1.** ▶ Turn the retaining ring of the lens counterclockwise and remove it.
- 2.** ▶ Remove the lens carefully.
- 3.** ▶ Insert the other lens carefully.
- 4.** ▶ Reinstall the retaining ring and turn it clockwise.  
⇒ The lens change is complete.



## 8 Protecting the environment

### Disposal of the packaging material



For the transport and protective packaging, environmentally friendly materials have been chosen that can be supplied to normal recycling.

Ensure that plastic bags, packaging, etc. are properly disposed of.

Do not just dispose of these materials with your normal household waste, but make sure that they are collected for recycling. Please follow the notes and markings on the packaging.

### Disposal of your old device



This product is subject to the European Waste Electrical and Electronic Equipment Directive (WEEE) in its currently valid version. Do not dispose with your normal household waste.

Dispose of this device through an approved waste disposal firm or through your local waste facility. When discarding the device, comply with the rules and regulations that apply in your country. If in doubt, consult your local waste disposal facility.





Musikhaus Thomann · Hans-Thomann-Straße 1 · 96138 Burgebrach · Germany · [www.thomann.de](http://www.thomann.de)