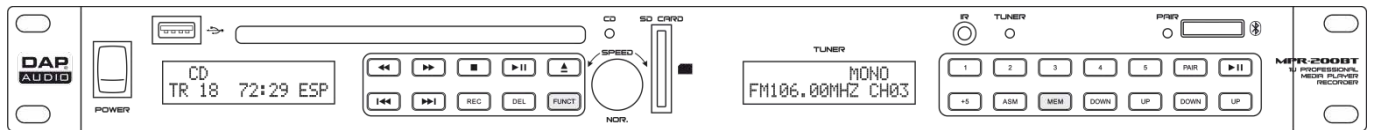




MANUAL



ENGLISH

MBR-200BT

V1

Ordercode: D1248

Table of contents

Warning	2
Safety Instructions	2
Operating Determinations	3
Connection with the mains	3
Return Procedure	4
Claims	4
Description of the device	5
Frontside	6
Backside	7
Remote Control	8
Installation	11
Set Up and Operation	11
Media Player	11
Loading CDs	11
Unloading CDs	12
CDs/ MP3 discs/ USB flash drives/ SD-MMC cards	12
CD Audio Play Mode	12
MP3 Play Mode	12
Selecting Tracks Forward	12
Selecting Tracks Backward	12
Selecting Folders Forward	13
Selecting Folders Backward	13
Starting Playback	13
Stop Playback	13
Pausing	13
Scanning Fast Forward	13
Scanning Fast Backward	13
Set Playback Speed	13
CD Program Play	14
MP3/SD-MMC/AUX Program Play	14
Loop	14
Deleting Tracks	14
Recording	15
Searching for Tracks	15
Tuner	16
Selecting a Radio Station with the Up/Down buttons	16
Selecting a Radio Station using the Direct function	16
Selecting a Radio Station	16
Storing a Radio Station in Memory	16
Setting up the Sleep Mode Timer	17
Bluetooth Function	17
Maintenance	17
Replacing the Fuse	17
Troubleshooting	17
Product Specifications	18

Warning



**For your own safety, please read this user manual carefully
before your initial start-up!**



Unpacking Instructions

Immediately upon receiving this product, carefully unpack the carton and check the contents to ensure that all parts are present, and have been received in good condition. Notify the dealer immediately and retain packing material for inspection if any parts appear damaged from shipping or the carton itself shows signs of mishandling. Save the carton and all packing materials. In the event that a device must be returned to the factory, it is important that the device is returned in the original factory box and packing.

Your shipment includes:

- DAP Audio MBR-200BT
- Remote control (batteries not included)
- FM antenna
- IEC power cable (1,5 m)
- User manual



CAUTION!

**Keep this device away from rain and moisture!
Unplug mains lead before opening the housing!**



Safety Instructions

Every person involved with the installation, operation and maintenance of this system has to:

- be qualified
- follow the instructions of this manual



**CAUTION! Be careful with your operations.
With a dangerous voltage you can suffer
a dangerous electric shock when touching the wires!**



Before you initial start-up, please make sure that there is no damage caused by transportation. Should there be any, consult your dealer and do not use the system.

To maintain perfect condition and to ensure a safe operation, it is absolutely necessary for the user to follow the safety instructions and warning notes written in this manual.

Please consider that damages caused by manual modifications to the system are not subject to warranty.

This system contains no user-serviceable parts. Refer servicing to qualified technicians only.

IMPORTANT:

The manufacturer will not accept liability for any resulting damages caused by the non-observance of this manual or any unauthorized modification to the system.

- Never let the power cord come into contact with other cables! Handle the power cord and all connections with the mains with particular caution!
- Never remove warning or informative labels from the unit.
- Never use anything to cover the ground contact.

- Never leave any cables lying around.
- Do not connect this system to a dimmerpack.
- Do not switch the system on and off in short intervals, as this would reduce the system's life.
- Do not open the device and do not modify the device.
- Only use system indoors, avoid contact with water or other liquids.
- Avoid flames and do not put close to flammable liquids or gases.
- Always disconnect power from the mains, when system is not used. Only handle the power cord by the plug. Never pull out the plug by tugging the power cord.
- Always operate the unit with the AC ground wire connected to the electrical system ground.
- Make sure that you do not use the wrong kind of cables or defective cables.
- Make sure that the available voltage is not higher than stated on the rear panel.
- Make sure that the power cord is never crimped or damaged. Check the system and the power cord from time to time.
- Please turn off the power switch, when changing the power cord or signal cable, or select the input mode switch.
- Avoid ground loops! Always be sure to connect the power amps and the mixing console to the same electrical circuit to ensure the same phase!
- If system is dropped or struck, disconnect mains power supply immediately. Have a qualified engineer inspect for safety before operating.
- If the system has been exposed to drastic temperature fluctuation (e.g. after transportation), do not switch it on immediately. The arising condensation water might damage your system. Leave the system switched off until it has reached room temperature.
- If your Dap Audio device fails to work properly, discontinue use immediately. Pack the unit securely (preferably in the original packing material), and return it to your Dap Audio dealer for service.
- Repairs, servicing and electric connection must be carried out by a qualified technician.
- For replacement use fuses of same type and rating only.
- WARRANTY: Till one year after date of purchase.

Operating Determinations

This system is not designed for permanent operation. Consistent operation breaks will ensure that the system will serve you for a long time without defects.

If this system is operated in any other way, than the one described in this manual, the product may suffer damages and the warranty becomes void.

Any other operation may lead to dangers like short-circuit, burns, electric shock, etc.


You endanger your own safety and the safety of others!

Improper installation can cause serious damage to people and property !

Connection with the mains

Connect the device to the mains with the power-plug.

Always pay attention, that the right color cable is connected to the right place.

International	EU Cable	UK Cable	US Cable	Pin
L	BROWN	RED	YELLOW/COPPER	PHASE
N	BLUE	BLACK	SILVER	NEUTRAL
	YELLOW/GREEN	GREEN	GREEN	PROTECTIVE GROUND

Make sure that the device is always connected properly to the earth!

Improper installation can cause serious damage to people and property!

Return Procedure

Returned merchandise must be sent prepaid and in the original packing, call tags will not be issued. Package must be clearly labeled with a Return Authorization Number (RMA number). Products returned without an RMA number will be refused. Highlite will not accept the returned goods or any responsibility. Call Highlite 0031-455667723 or mail aftersales@highlite.nl and request an RMA prior to shipping the fixture. Be prepared to provide the model number, serial number and a brief description of the cause for the return. Be sure to properly pack fixture, any shipping damage resulting from inadequate packaging is the customer's responsibility. Highlite reserves the right to use its own discretion to repair or replace product(s). As a suggestion, proper UPS packing or double-boxing is always a safe method to use.

Note: If you are given an RMA number, please include the following information on a piece of paper inside the box:

- 01) Your name
- 02) Your address
- 03) Your phone number
- 04) A brief description of the symptoms

Claims

The client has the obligation to check the delivered goods immediately upon delivery for any shortcomings and/or visible defects, or perform this check after our announcement that the goods are at their disposal. Damage incurred in shipping is the responsibility of the shipper; therefore the damage must be reported to the carrier upon receipt of merchandise.

It is the customer's responsibility to notify and submit claims with the shipper in the event that a fixture is damaged due to shipping. Transportation damage has to be reported to us within one day after receipt of the delivery.

Any return shipment has to be made post-paid at all times. Return shipments must be accompanied with a letter defining the reason for return shipment. Non-prepaid return shipments will be refused, unless otherwise agreed in writing.

Complaints against us must be made known in writing or by fax within 10 working days after receipt of the invoice. After this period complaints will not be handled anymore.

Complaints will only then be considered if the client has so far complied with all parts of the agreement, regardless of the agreement of which the obligation is resulting.

Description of the device

Features

The DAP MPR-200BT is a professional multifunctional 1U player and recorder. It is an all-in-one audio player and recorder solution with tuner, CD, USB/SD and Bluetooth playback possibilities. The Bluetooth module excels in its wide range of over 25 m, depending on the environment. The MPR-200BT is equipped with button backlights, which are very convenient in poorly lit environments. It has 3 separate outputs for Bluetooth, Tuner, and CD. The CD output is a combined output which can be selected for CD, USB or SD playback.

- Backlit buttons
- Recorder & Player
- Wide Bluetooth range
- IR remote control

General

- Input voltage: 230V AC, 60/50 Hz
- Power consumption: 50W
- Fuse: T630mAL/250V
- Dimensions: 482 x 250 x 44 mm (LxWxH)
19" x 1HE (LxH)
- Weight: 3,7 kg

CD/USB/SD

- Anti-shock buffer: 30 sec
- CD type: CD/CDR/MP3
- USB & SD capacity: up to 32GB
- Output connector: RCA
- Output level: 1,2 V +/- 2 dB
- THD: < 0,1% at 1 kHz
- S/N Ratio: > 70dB at 1 kHz

Tuner

- FM band: 87,5 – 108 MHz
- Antenna: 75 Ohm antenna terminal socket
- Presets: 30
- Output connector: RCA

Bluetooth

- Max distance: 25 m (depending on environment)

Frontside

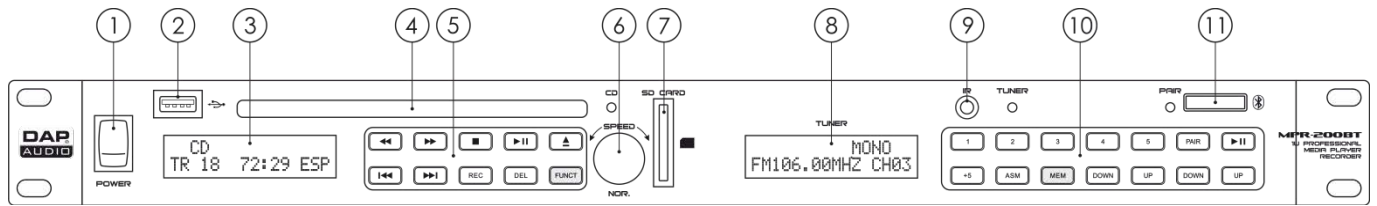


Fig. 01

- ① **Power switch ON/OFF**
Press the button to switch the device ON/OFF.
- ② **USB connector A**
Use this connector to connect a USB flash drive, containing MP3 files.
- ③ **USB/CD/SD/AUX player – LCD display**
- ④ **CD slot**
Insert a CD, containing music files.
- ⑤ **USB/CD/SD/AUX – function buttons**
See page 11 for more information on media player functions.
- ⑥ **Speed control**
Turn the control to the left/right to increase/decrease playback speed. Press the control to restore original playback speed.
- ⑦ **SD card slot**
Insert an SD card, containing music files.
- ⑧ **Tuner – LCD display**
- ⑨ **IR remote control signal receiver**
- ⑩ **Tuner – function buttons**
See page 16 for more information on tuner functions.
- ⑪ **Bluetooth signal receiver**

Backside

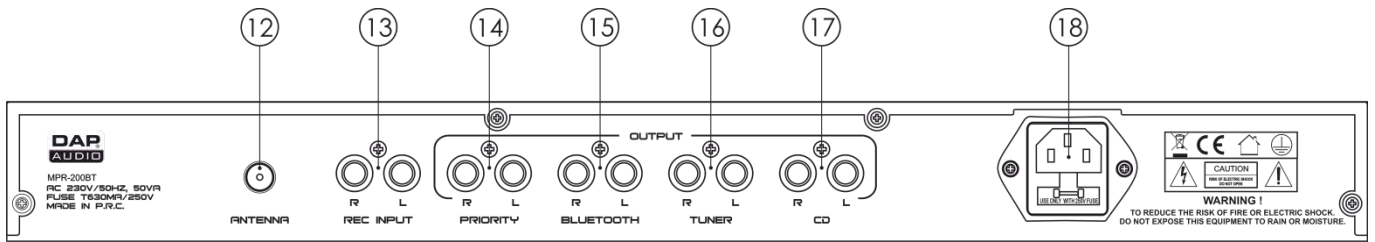


Fig. 02

- ⑫ **FM antenna connector**
Use this connector to connect the included FM antenna.
- ⑬ **Recording device – RCA IN**
Connect an external music source device for your recordings.
- ⑭ **Priority device – RCA OUT**
Connect the device to the line input on your mixer.
- ⑮ **Bluetooth connector – RCA OUT**
Connect the device to the line input on your mixer.
- ⑯ **Tuner connector – RCA OUT**
Connect the device to the line input on your mixer.
- ⑰ **CD connector – RCA OUT**
Connect the device to the line input on your mixer.
- ⑱ **IEC power connector 240V + Fuse T630mAL/250V**
Connect the device to the appropriate power supply.

Remote Control

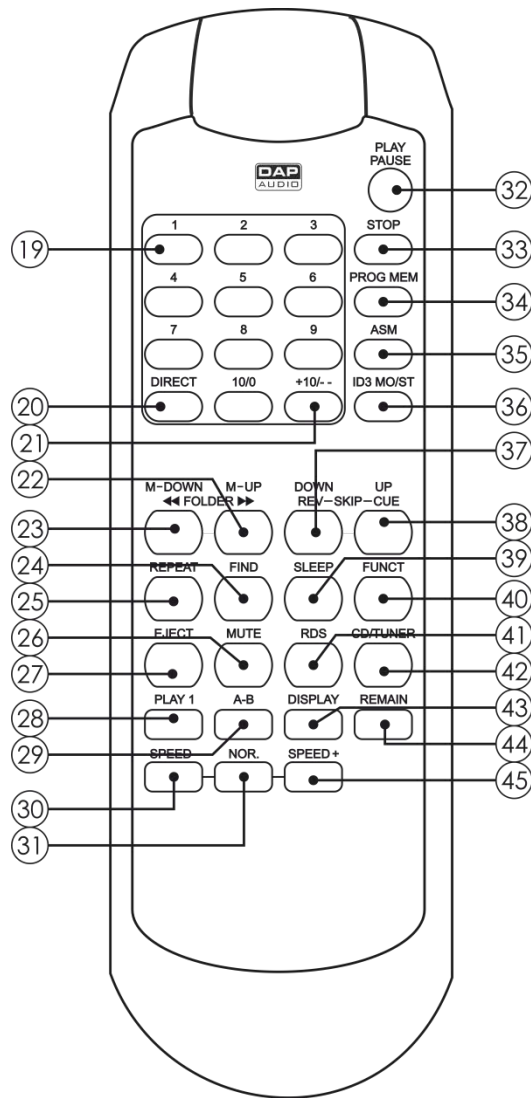


Fig. 03

①9 Track buttons 1-10

②0 Direct button

The direct function allows you to manually set a radio frequency, using the select buttons. For more information, see Tuner section, page 16.

②1 +10/-- button

When selecting radio stations stored in memory you can use the +10 button to move up by 10 presets. If your actual preset is 5, pressing the +10 button will select Preset 15.

②2 Folder ►► M-Up button

Press this button to skip to the next folder's first track. Press this button to browse through the memory presets.

②3 Folder ◀◀ M-Down button

Press this button to skip to the previous folder's first track. Press this button to browse through the memory presets.

②4 Find button

Press the button to find the desired track.

- ②5 **Repeat button**
 Press this button to repeat one track, one folder or all tracks of the medium.
- ②6 **Mute button**
 Press the button to mute the output.
- ②7 **Eject button**
 Press this button to remove CDs from the CD slot.
- ②8 **Play 1 button**
 Press the button to switch between PLAY 1 (playback will stop after each track) or PLAY ALL (playback will proceed to the other tracks).
- ②9 **A-B button**
 Press the button to set a loop.
- ③0 **Speed - button**
 Press the button to lower playback speed.
- ③1 **Nor. button**
 Press this button to set normal playback speed.
- ③2 **Play/Pause ►/|| button**
 Press this button to start playback. Press once to start playback, twice to pause. Press again to resume playback.
- ③3 **Stop ■ button**
 Press this button to stop playback.
- ③4 **Prog/Mem button**
 Press the button to program playback/store radio stations.
- ③5 **ASM button**
 When the MBR-200BT is in Tuner mode, pressing and holding this button down for more than 1 second starts ASM. If ASM is activated, the MBR-200BT will scan the FM band for stations and will automatically store them in memory. If you decide to exit ASM before the search is finished, press the ASM button again.
- ③6 **ID3 MO/ST button**
 If the MBR-200BT is in CD mode, pressing this button toggles ID3 info on or off. If the MBR-200BT is in Tuner mode, pressing this button toggles between Mono and Stereo modes.
- ③7 **Down/Skip (Rev) button**
 In CD mode, press this button to go back to the beginning of the current track or select a previous track. Press and hold down this button to play this track fast backward. Make sure that you have selected CD mode, if you want to use the remote control for this function.

In Tuner mode, press this button to tune stepwise. Pressing and holding this button down for more than 1 second will start auto search. The searching will stop at the first station which is strong enough. Make sure that Tuner mode is active, if you want to use the remote control for this function.

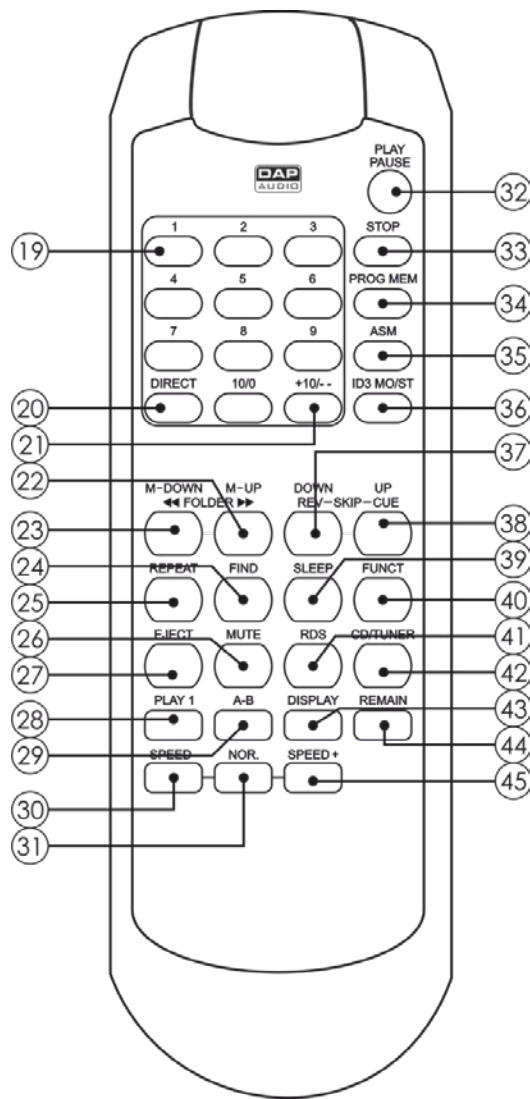


Fig. 04

38 Up/Skip (Cue) button

In CD mode, press this button to skip to the next track. Press and hold this button down to play the track fast forward. Make sure that you have selected CD mode, if you want to use the remote control for this function.

In Tuner mode, press this button to tune stepwise. Pressing and holding this button down for more than 1 second will start auto search. The searching will stop at the first station which is strong enough. Make sure that you have selected Tuner mode, if you want to use the remote control for this function.

39 Sleep button

You can activate the sleep function if the MBR-200BT is in Tuner mode. Pressing the sleep button once activates Sleep mode. The display shows the time after which the tuner switches off. You can change the sleep time by pressing the button several times. Sleep mode is indicated by switching off of the Tuner LCD's backlight. Exit sleep mode by pressing the Sleep button until the normal display pops up.

40 Funct button

Press this button to toggle between USB/SD/AUX/CD modes. The **FUNCT button (05)** on the media player panel has the similar function.

- ④① **RDS button**
Press this button to toggle RDS info on or off.
- ④② **CD/Tuner button**
Press this button to select between CD or Tuner mode for your remote control. The mode is indicated by the CD or Tuner LED on the MBR-200BT. In Tuner mode, you can use the specific tuner functions indicated by the red color.
- ④③ **Display button**
Press the button to toggle between different display modes, by means of which you can monitor various pieces of information as the current folder, track name, time, etc.
- ④④ **Remain button**
Not functional
- ④⑤ **Speed + button**
Press this button to turn up playback speed.

Installation

Remove all packing materials from the MBR-200BT. Check if all foam and plastic padding is removed. Secure the equipment into a 19" rack, if preferred. Connect all cables.

Always disconnect from electric mains power supply before cleaning or servicing.
Damages caused by non-observance are not subject to warranty.

Set Up and Operation

Before plugging the unit in, always make sure that the power supply matches the product specification voltage. Do not attempt to operate a 115V specification product on 230V power, or vice versa.

Media Player

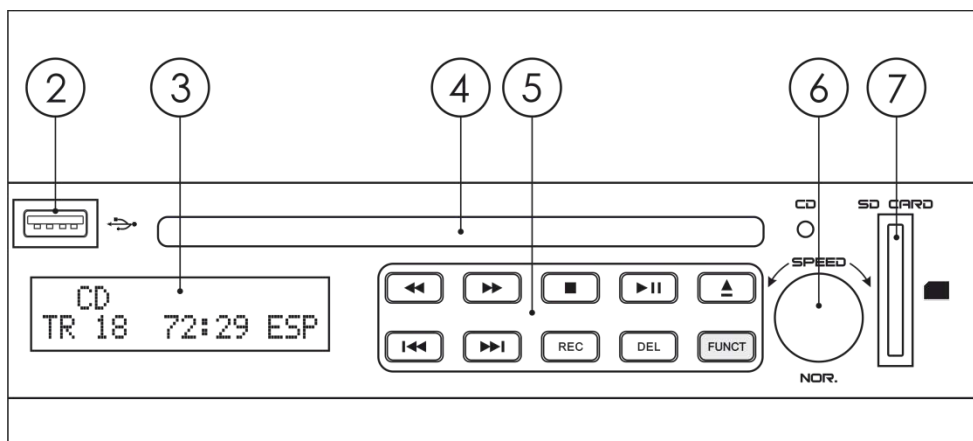



Fig. 05

Loading CDs

- 01) Hold the disc by the edges and push it gently into the **CD slot (04)**. The disc will now be loaded automatically.

Unloading CDs

- 01) Press the **Eject**  button. Playback will stop and the disc will be ejected.
- 02) If the disc stops rotating, take the disc by the edges and remove it completely from the slot.

Caution:

- Do not place any foreign objects into the CD slot and do not insert more than one disc at a time.
- Do not push the disc in manually, when the power is off, as this may result in malfunction and may damage the player.

CDs/ MP3 discs/ USB flash drives/ SD-MMC cards

MP3 is an audio compression mode using level 3 of the international MPEG standard, whereby the sound signal is compressed at the ratio of 12:1. An MP3 disc can store over 600 minutes of music or over 170 songs in the sound quality which fully matches the sound quality of CDs. A USB stick can store even more. Obviously, the MBR-200BT works also with normal audio CDs.


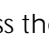

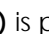
CD Audio Play Mode

- 01) When you press the **Repeat button (25)** during playback, you can choose between the following play modes:
 - INTRO PLAY: Plays first 10 seconds of each track.
 - PLAY ALL: Plays the entire music menu in normal order.
 - REPEAT TRACK: Repeats a single track several times.
 - REPEAT ALL: Repeats the whole CD several times.
 - RANDOM PLAY: Plays the entire music menu in random order.


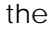

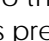
MP3 Play Mode

- 01) When you press the **Repeat button (25)** during playback, you can choose between the following play modes:
 - INTRO PLAY: Plays first 10 seconds of each track.
 - PLAY ALL: Plays the entire music menu in normal order.
 - REPEAT TRACK: Repeats a single track several times.
 - REPEAT FOLDER: Repeats the whole folder.
 - REPEAT ALL: Repeats the whole CD several times.
 - RANDOM PLAY: Plays the entire music menu in random order.

Selecting Tracks Forward

- 01) In Stop mode: Press the **Cue**  **button (05/38)** to move to the next track.
- 02) In Program entry mode: Press the **Cue**  **button (05/38)** to skip to the next track for program select.
- 03) In Play mode, Pause mode, Program play mode or Random play mode: Press the **Cue**  **button (05/38)** to skip to the next track for normal play/pause mode, to the next program index track for program play/pause mode, to the next random track for random play/pause mode.
- 04) If the **Cue**  **button (05/38)** is pressed, while at the last track, the first track is selected.

Selecting Tracks Backward

- 01) In Stop mode: Press the **Rev**  **button (05/37)** to move to the previous track.
- 02) In Program entry mode: Press the **Rev**  **button (05/37)** to skip to the previous track for program select.
- 03) In Play mode, Pause mode, Program play mode or Random play mode: Press the **Rev**  **button (05/37)** to skip to the previous track for normal play/pause mode, to the next program index track for program play/pause mode, to the next random track for random play/pause mode.
- 04) If the **Rev**  **button (05/37)** is pressed, while at the first track, the last track is selected.

Selecting Folders Forward

- 01) In Stop mode: Press the **Folder ►► button (22)** or the **►►| button (05)** on the media player panel to move to the next folder.
- 02) In Program entry mode: Press the **Folder ►► button (22)** or the **►►| button (05)** on the media player panel to skip the current file and select the next folder's first file.
- 03) In Play mode: Press the **Folder ►► button (22)** or the **►►| button (05)** on the media player panel to skip the current file and start playing the next folder's first file.
- 04) If the **Folder ►► button (22)** or the **►►| button (05)** on the media player panel are pressed, while in the last folder, the first folder will be selected.

Selecting Folders Backward

- 01) In Stop mode: Press the **Folder ◀◀ button (23)** or the **|◀◀ button (05)** on the media player panel to move to the previous folder.
- 02) In Program entry mode: Press the **Folder ◀◀ button (23)** or the **|◀◀ button (05)** on the media player panel to skip the current file and select the previous folder's first file.
- 03) In Play mode: Press the **Folder ◀◀ button (23)** or the **|◀◀ button (05)** on the media player panel to skip the current file and start playing the previous folder's first file.
- 04) If the **Folder ◀◀ button (23)** or the **|◀◀ button (05)** on the media player panel are pressed, while in the first folder, the last folder will be selected.

Starting Playback

- 01) Press the **Play/Pause button (32)** or the **►/|| button (05)** on the media player panel to start playback.

Stop Playback

There are two ways to stop playback:

- 01) During playback, press the **Play/Pause button (32)** or the **►/|| button (05)** on the media player panel to pause at that point.
- 02) During playback, press the **Stop button (33)** or the **■ button (05)** on the media player panel to return to Stop mode.

Pausing

- 01) Press the **Play/Pause button (32)** or the **►/|| button (05)** on the media player panel to switch between play and pause.
- 02) Playback resumes when the **Play/Pause button (32)** or the **►/|| button (05)** on the media player panel are pressed again.

Scanning Fast Forward

- 01) Forward Scanning is a function for moving quickly forwards, while being in Play mode.
- 02) While pressing and holding the **Cue ►► button (05/38)** down for more than 1 second, the disc moves rapidly forwards and the sound is audible. The current scan point is indicated on the LCD.

Scanning Fast Backward

- 01) Backward Scanning is a function for moving quickly backwards while being in Play mode.
- 02) While pressing and holding the **Rev ◀◀ button (05/37)** for more than 1 second, the disc moves rapidly backwards and the sound is audible. The current scan point is indicated on the LCD.

Set Playback Speed

- 01) Turn the **Speed control (06)** to the left/right to increase/decrease playback speed. Alternatively, you can press the **Speed +/- and Nor. buttons (30/31/45)**.
- 02) Press the **Speed control (06)** to restore original playback speed.

CD Program Play

- 01) Make sure that the unit is in CD mode, when using the remote control.
- 02) Press the **Stop button (33)** or the **■ button (05)** on the media player panel, the CD will stop rotating.
- 03) Press the **Prog button (34)**, the player will enter Program mode.
- 04) Select the desired track by pressing the **Track buttons (19)**, the **Rev ◀◀ button (05/37)** or the **Cue ▶▶ button (05/38)**, then press the **Prog button (34)** button again. The selected track will be added to the program sequence.
- 05) Repeat step 3. A maximum of 64 tracks can be programmed.
- 06) Press the **Play/Pause button (32)** or the **▶/|| button (05)** on the media player panel to start the program play from the first selection.
- 07) During Program play, press the **Stop button (33)** or the **■ button (05)** on the media player panel, to stop playing.
- 08) Press and hold down the **Prog button (34)** for 4 seconds.
- 09) Press the **Stop button (33)** or the **■ button (05)** on the media player panel again. Program mode is now cancelled and all its content has been erased.

MP3/SD-MMC/AUX Program Play

- 01) Press the **Stop button (33)** or the **■ button (05)** on the media player panel, playback will stop.
- 02) Press the **Prog button (34)**, the player will enter Program mode.
- 03) Select the desired folder by pressing the **Track buttons (19)**, the **Rev ◀◀ button (05/37)** or the **Cue ▶▶ button (05/38)**, then press the **Prog button (34)** again.
- 04) Select the desired track by pressing the **Track buttons (19)**, the **Rev ◀◀ button (05/37)** or the **Cue ▶▶ button (05/38)**, then press the **Prog button (34)** again. The selected folder and track will be added to the program sequence.
- 05) Repeat steps 3 and 4, until all desired tracks are programmed.
- 06) Press the **Play/Pause button (32)** or the **▶/|| button (05)** on the media player panel to play the program from the first selection.
- 07) During program playback, press the **Stop button (33)** or the **■ button (05)** on the media player panel to stop playback.
- 08) During Program play, press the **Stop button (33)** or the **■ button (05)** on the media player panel, to stop playing.
- 09) Press and hold down the **Prog button (34)** for 4 seconds.
- 10) Press the **Stop button (33)** or the **■ button (05)** on the media player panel again. Program mode is now cancelled and all its content has been erased.

Loop

- 01) During playback, press the **A-B button (29)** to set the loop start point, the LOOP indicator will flash on the LCD.
- 02) Press the **A-B button (29)** button to set the loop end point. Once the end point has been set, playback will continuously play the loop, from start point to end.
- 03) Press the **A-B button (29)** button again, to cancel the loop and return to normal playback.

Deleting Tracks

- 01) In Stop mode, press the **Delete (DEL) button (05)** on the media player panel, to enter Deletion mode.
- 02) Press the **Rev ◀◀ button (05/37)** or **Cue ▶▶ button (05/38)** to choose the folder in which there is the track which you want to delete.
- 03) Press and hold down the **Rev ◀◀ button (05/37)** or **Cue ▶▶ button (05/38)** for 3 seconds, to enter the selected folder.
- 04) Press the **Rev ◀◀ button (05/37)** or **Cue ▶▶ button (05/38)** to select the track which you want to delete.
- 05) Press the **Delete (DEL) button (05)** on the media player panel, to delete the track. The LCD will show "DELETE."

Recording

- 01) Press the **Funct button (05/40)** to select music source. The available sources are:
 - DISC: for recording from a CD.
 - AUX: for recording directly to an external device.
 - CARD: for copying an SD/MMC card to a USB flash drive.
 - USB: for copying a USB flash drive to an SD/MMC card.
- 02) Insert the target device (SD/USB), on which you want to record a track.
- 03) Press the **Rec button (05)**. The device will now load the music source. When loading is finished, the device will automatically start recording.
- 04) Press the **Rec button (05)** again, to stop recording.
- 05) You can find your recorded files on your target device. The file names will be CDDAxxx, where xxx indicates the number of recorded files.

Searching for Tracks

- 01) Press the **Find button (24)** to enter Find mode.
- 02) Press the **Rev ◀◀ button (05/37)** or **Cue ▶▶ button (05/38)** to search alphabetically for the desired track. The range is between A-Z and 0-9. If there are no tracks which names start with the currently selected letter/digit, the LCD will show "None."
- 03) If there are tracks starting with the currently selected letter/digit, the LCD will show their names.
- 04) Press the **Find button (24)** to enter Find mode.
- 05) Press the **Rev ◀◀ button (05/37)** or **Cue ▶▶ button (05/38)** to search for the folder containing the desired track.
- 06) Press and hold down the **Rev ◀◀ button (05/37)** or **Cue ▶▶ button (05/38)** for 3 seconds to enter the folder.
- 07) Press the **Rev ◀◀ button (05/37)** or **Cue ▶▶ button (05/38)** to search for the desired track.
- 08) Press the **Play/Pause button (32)** or the **▶/|| button (05)** on the media player panel, to play the chosen track.

Tuner

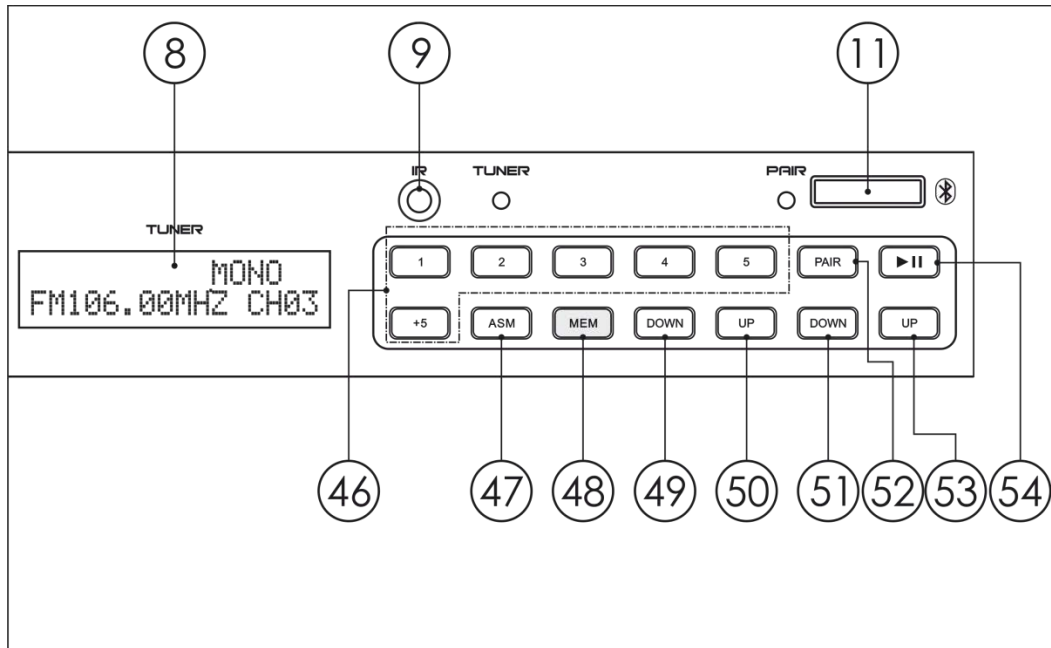


Fig. 06

Selecting a Radio Station with the Up/Down buttons

- 01) Press the **Up/Down buttons (49/50)** or **Rev ◀◀ button (37)** or **Cue ▶▶ button (38)** to tune stepwise.
- 02) Pressing and holding the **Up/Down buttons (49/50)** or **Rev ◀◀ button (37)** or **Cue ▶▶ button (38)** down for more than 1 second will start auto search. The search will stop at the first station which is strong enough.

Selecting a Radio Station using the Direct function

- 01) If you are in CD mode, press the **CD/Tuner button (42)** and select Tuner Mode (the Tuner LED will light up).
- 02) Press the **Direct (20)** button. The tuner frequency in the display will change to underscores.
- 03) Press the **Select buttons (19/46)** to enter desired frequency without a decimal point.
- 04) Press the **Direct button (20)** again to confirm. Now the MBR-200BT sets the decimal point at the right place.

Selecting a Radio Station

- 01) The MBR-200BT allows you to store your favorite radio stations in up to 30 memory presets.
- 02) To select a preset, press the **Select buttons (19/46)** and/or the **+5 button (19/46)**.
- 03) Alternatively, press the **M-Down (23)** and **M-Up (22)** buttons. Make sure that the unit is in Tuner mode when using the remote control.

Storing a Radio Station in Memory

- 01) Select a radio station, as described above.
- 02) Press the **Mem button (34/48)**. MEM symbol on the display will start blinking.
- 03) Press the **Select buttons (19/46)** and/or the **+5 button (19/46)** to select the desired memory location.
- 04) Press the **Mem button (34/48)** again, to store the preset.

Setting up the Sleep Mode Timer

- 01) If you are in CD mode, press the **CD/Tuner button (42)** and select Tuner mode (the Tuner LED will light up).
- 02) Press the **Sleep button (39)**. The display will show 90. This means that the tuner will switch to Sleep mode in 90 minutes.
- 03) Pressing the **Sleep button (39)** several times allows you to adjust time. You can set Sleep mode to the following positions:

90→80→70→60→50→40→30→20→10→Off

- 04) The timer will start automatically after 3 seconds. SLEEP will appear on the display, above the radio frequency.
- 05) Once the preset time has passed, the display will turn off and the tuner output will be muted.
- 06) You can exit Sleep mode by pressing the **Sleep button (39)**. Make sure that you switch the timer off. Otherwise, timer will start again.

Bluetooth Function

- 01) Activate Bluetooth function on your music source and search for available Bluetooth devices. The Bluetooth name of the MBR-200BT is AUDIO BLUETOOTH.
- 02) Press and hold down the **Pair button (52)** to connect the MBR-200BT to the music source. Once the devices are connected, the Bluetooth LED on the MBR-200BT will stop blinking.
- 03) By means of the MBR-200BT's Bluetooth function, it is now possible to play music from an external music source.
- 04) Press the **▶/|| button (54)** to play/pause playback.
- 05) Press the **Up/Down buttons (51/53)** to select the next/previous track.

Maintenance

The DAP Audio MBR-200BT requires almost no maintenance. However, you should keep the unit clean. Disconnect the mains power supply, and then wipe the cover with a damp cloth. Do not immerse in liquid. Do not use alcohol or solvents.

Keep connections clean. Disconnect electric power, and then wipe the audio connections with a damp cloth. Make sure connections are thoroughly dry before linking equipment or supplying electric power.

Replacing the Fuse

Power surges, short-circuit or inappropriate electrical power supply may cause a fuse to burn out. If the fuse burns out, the product will not function whatsoever. If this happens, follow the directions below.

- 01) Unplug the unit from electric power source.
- 02) Insert a screwdriver into the slot in the fuse cover. Gently pry up the fuse cover. The fuse will come out.
- 03) Remove the used fuse. If brown or unclear, it is burned out.
- 04) Insert the replacement fuse into the holder where the old fuse was. Reinsert the fuse cover. Be sure to use a fuse of the same type and specification. See the product specification label for details.

Troubleshooting

DAP Audio MBR-200BT

This troubleshooting guide is meant to help solve simple problems. If a problem occurs, carry out the steps below in sequence until a solution is found. Once the unit operates properly, do not carry out following steps.

- 01) If the device does not operate properly, unplug the device.
- 02) Check power from the wall, all cables, connections, etc.
- 03) Replace the fuse. See page 17 for replacing the fuse.
- 04) If all of the above appears to be O.K., plug the unit in again.
- 05) If nothing happens after 30 seconds, unplug the device.
- 06) Return the device to your DAP Audio dealer.

Product Specifications

General

- Input voltage: 230V AC, 60/50 Hz
- Power consumption: 50W
- Fuse: T630mAL/250V
- Dimensions: 482 x 250 x 44 mm (LxWxH)
19" x 1HE (LxH)
- Weight: 3,7 kg

CD/USB/SD

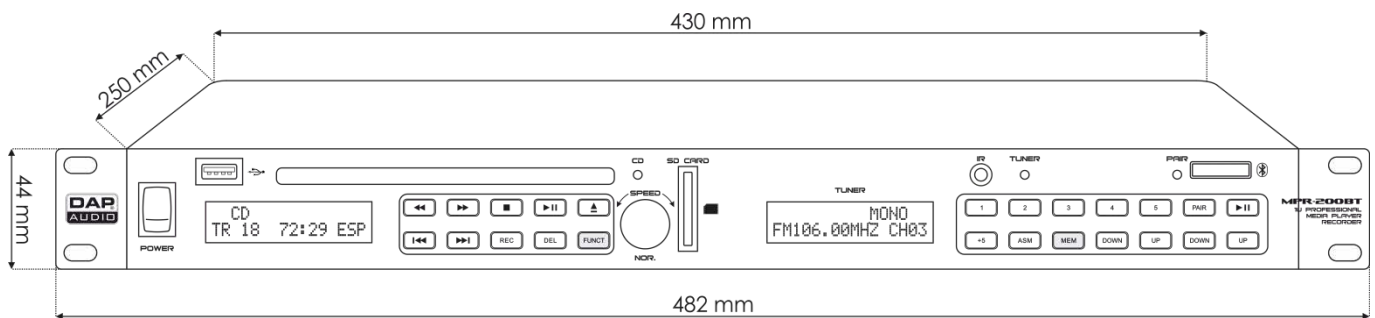
- Anti-shock buffer: 30 sec
- CD type: CD/CDR/MP-3
- USB & SD capacity: up to 32GB
- Output connector: RCA
- Output level: 1,2 V +/- 2 dB
- THD: < 0,1% at 1 kHz
- S/N Ratio: > 70dB at 1 kHz

Tuner

- FM band: 87,5 – 108 MHz
- Antenna: 75 Ohm antenna terminal socket
- Presets: 30
- Output connector: RCA

Bluetooth

- Max distance: 25 m (depending on environment)



Design and product specifications are subject to change without prior notice.



Website: www.Dap-audio.info
Email: service@highlite.nl



©2016 DAP Audio