

ignition

Co9Z LED Flood IP65 540W RGBW

User manual

LED floodlight

Musikhaus Thomann  
Thomann GmbH  
Hans-Thomann-Straße 1  
96138 Burgebrach  
Germany  
Telephone: +49 (0) 9546 9223-0  
E-mail: [info@thomann.de](mailto:info@thomann.de)  
Internet: [www.thomann.de](http://www.thomann.de)

07.02.2020, ID: 435601 (V2)

---

## Table of contents

<b>1</b>	<b>General information</b> .....	<b>5</b>
1.1	Further information.....	5
1.2	Notational conventions.....	5
1.3	Symbols and signal words.....	6
<b>2</b>	<b>Safety instructions</b> .....	<b>7</b>
<b>3</b>	<b>Features</b> .....	<b>9</b>
<b>4</b>	<b>Installation</b> .....	<b>10</b>
<b>5</b>	<b>Starting up</b> .....	<b>12</b>
<b>6</b>	<b>Connections and controls</b> .....	<b>13</b>
<b>7</b>	<b>Operating</b> .....	<b>15</b>
7.1	Starting the device.....	15
7.2	Main menu.....	16
7.2.1	Operating mode 'DMX'.....	20
7.2.2	Operating mode 'Slave'.....	21
7.2.3	Operating mode 'Stand-alone'.....	21
7.3	Menu overview.....	22
7.4	Functions in 3-channel DMX mode.....	22
7.5	Functions in 4-channel DMX mode 1.....	23
7.6	Functions in 4-channel DMX mode 2.....	24
7.7	Functions in 5-channel DMX mode.....	24
7.8	Functions in 15-channel DMX mode.....	25
7.9	Functions in 20-channel DMX mode.....	26
7.10	Functions in 21-channel DMX mode.....	27
7.11	Functions in 37-channel DMX mode.....	31
<b>8</b>	<b>Technical specifications</b> .....	<b>35</b>
<b>9</b>	<b>Plug and connection assignment</b> .....	<b>36</b>
<b>10</b>	<b>Troubleshooting</b> .....	<b>37</b>
<b>11</b>	<b>Cleaning</b> .....	<b>38</b>
<b>12</b>	<b>Protecting the environment</b> .....	<b>39</b>



# 1 General information

This user manual contains important information on the safe operation of the device. Read and follow all safety notes and all instructions. Save this manual for future reference. Make sure that it is available to all persons using this device. If you sell the device to another user, be sure that they also receive this manual.

Our products and user manuals are subject to a process of continuous development. We therefore reserve the right to make changes without notice. Please refer to the latest version of the user manual which is ready for download under [www.thomann.de](http://www.thomann.de).

## 1.1 Further information

On our website ([www.thomann.de](http://www.thomann.de)) you will find lots of further information and details on the following points:

Download	This manual is also available as PDF file for you to download.
Keyword search	Use the search function in the electronic version to find the topics of interest for you quickly.
Online guides	Our online guides provide detailed information on technical basics and terms.
Personal consultation	For personal consultation please contact our technical hotline.
Service	If you have any problems with the device the customer service will gladly assist you.

## 1.2 Notational conventions

This manual uses the following notational conventions:

### Letterings

The letterings for connectors and controls are marked by square brackets and italics.

**Examples:** *[VOLUME]* control, *[Mono]* button.

### Displays





Texts and values displayed on the device are marked by quotation marks and italics.

**Examples:** '24ch', 'OFF'.

### 1.3 Symbols and signal words

In this section you will find an overview of the meaning of symbols and signal words that are used in this manual.

Signal word	Meaning
<b>DANGER!</b>	This combination of symbol and signal word indicates an immediate dangerous situation that will result in death or serious injury if it is not avoided.
<b>WARNING!</b>	This combination of symbol and signal word indicates a possible dangerous situation that can result in death or serious injury if it is not avoided.
<b>NOTICE!</b>	This combination of symbol and signal word indicates a possible dangerous situation that can result in material and environmental damage if it is not avoided.

Warning signs	Type of danger
	Warning – high-voltage.
	Warning – dangerous optical radiation.
	Warning – suspended load.
	Warning – danger zone.

## 2 Safety instructions

### Intended use

This device is intended for use as an electronic lighting effect by means of LED technology. The device is designed for professional use and is not suitable for use in households. Use the device only as described in this user manual. Any other use or use under other operating conditions is considered to be improper and may result in personal injury or property damage. No liability will be assumed for damages resulting from improper use.

This device may be used only by persons with sufficient physical, sensorial, and intellectual abilities and having corresponding knowledge and experience. Other persons may use this device only if they are supervised or instructed by a person who is responsible for their safety.

Extend the life of the device by regular breaks in operation and avoid switching it on and off frequently. This device is not suitable for continuous use.

### Safety

**DANGER!****Danger for children**

Ensure that plastic bags, packaging, etc. are disposed of properly and are not within reach of babies and young children. Choking hazard!

Ensure that children do not detach any small parts (e.g. knobs or the like) from the unit. They could swallow the pieces and choke!

Never let children unattended use electrical devices.

**DANGER!****Hazardous voltage**

The wiring, as well as all maintenance and repair work on the electrical installation of the device must only be performed by qualified electrical personnel. Failure to do so may result in electric shock and risk of fire and loss of life.

Before starting work on the electrical installation, the device must be turned volt-free.

**DANGER!****Electric shock caused by high voltages inside**

Within the device there are areas where high voltages may be present. Never remove any covers.

There are no user-serviceable parts inside.

Do not use the device if covers, protectors or optical components are missing or damaged.

**WARNING!****Eye damage caused by high light intensity**

Never look directly into the light source.

**WARNING!****Risk of epileptic shock**

Strobe lighting can trigger seizures in photosensitive epilepsy. Sensitive persons should avoid looking at strobe lights.

**WARNING!****Risk of injury caused by falling objects**

Make sure that the installation complies with the standards and rules that apply in your country. Always secure the device with a secondary safety attachment, such as a safety cable or a safety chain.

Secure the barn door with a safety cable on the spotlight after installation. The safety cable must run outside the barn door and must not interfere with the light emission.

**NOTICE!****Risk of fire**

Do not block areas of ventilation. Do not install the device near any direct heat source. Keep the device away from naked flames.

**NOTICE!****Power supply**

Before connecting the device, ensure that the input voltage (AC outlet) matches the voltage rating of the device and that the AC outlet is protected by a residual current circuit breaker. Failure to do so could result in damage to the device and possibly injure the user.

Unplug the device before electrical storms occur and when it is unused for long periods of time to reduce the risk of electric shock or fire.

**NOTICE!****Possible staining**

The plasticiser contained in the rubber feet of this product may possibly react with the coating of your parquet, linoleum, laminate or PVC floor and after some time cause permanent dark stains.

In case of doubt, do not put the rubber feet directly on the floor, but use felt-pad floor protectors or a carpet.



### 3 Features

The high-performance LED floodlight with zoom optics is particularly suitable for architectural and stage lighting.

Special features of the device:

- 36 × RGBW LEDs (each 15 W), background lighting: 72 × 0.2 W RGB LEDs
- Four separately controllable LED rows
- Motorized zoom
- Operation in stand-alone and DMX mode (8 different modes)
- Simple operation via display and buttons on the unit
- Built-in automatic show programmes
- Automatic colour gradients
- Static colours adjustable via display
- Master / Slave mode
- Robust aluminium housing
- Due to protection class IP65 outdoor operation is also possible
- W-DMX module for wireless DMX control
- Two Omega brackets included

For technological reasons, the light output of LEDs decreases over their lifetime. This effect increases with higher operating temperature. You can extend the service life of the illuminants by providing adequate ventilation and operating the LEDs with the lowest possible brightness.

#### Information about protection class IP65

Equipment with protection class IP65 are dust-tight and completely protected against contact (first code number). They are also protected against splash water from any angle (second code digit). That is why this equipment can also be used outdoors. Event technology equipment is generally only designed for temporary use however (event lighting) and not for permanent use outdoors.

The specified protection class does not make a statement about the weather resistance of the equipment (resistance to changing ambient conditions as well as against the effects of sunlight and UV rays).

The seals and screw connections of the equipment must be checked regularly to ensure a fault-free operation. In cases of doubt, consult a specialist workshop in due time.

## 4 Installation

Unpack and check carefully there is no transportation damage before using the unit. Keep the equipment packaging. To fully protect the product against vibration, dust and moisture during transportation or storage use the original packaging or your own packaging material suitable for transport or storage, respectively.



### **DANGER!**

#### **Hazardous voltage**

The wiring, as well as all maintenance and repair work on the electrical installation of the device must only be performed by qualified electrical personnel. Failure to do so may result in electric shock and risk of fire and loss of life.

Before starting work on the electrical installation, the device must be turned volt-free.



### **WARNING!**

#### **Risk of injury caused by falling objects**

Make sure that the installation complies with the standards and rules that apply in your country. Always secure the device with a secondary safety attachment, such as a safety cable or a safety chain.

Secure the barn door with a safety cable on the spotlight after installation. The safety cable must run outside the barn door and must not interfere with the light emission.



### **NOTICE!**

#### **Risk of overheating**

The distance between light output and the illuminated surface must be more than 1.5 m (19.7in).

Provide sufficient ventilation.

The ambient temperature must always be below 40 °C (104 °F).



### **NOTICE!**

#### **Use of stands**

When mounting the device onto a stand, ensure that the stand is in a safe and stable position and that the weight of the device does not exceed the maximum permissible load capacity of the stand.

**NOTICE!****Possible data transmission errors**

For error-free operation make use of dedicated DMX cables and do not use ordinary microphone cables.

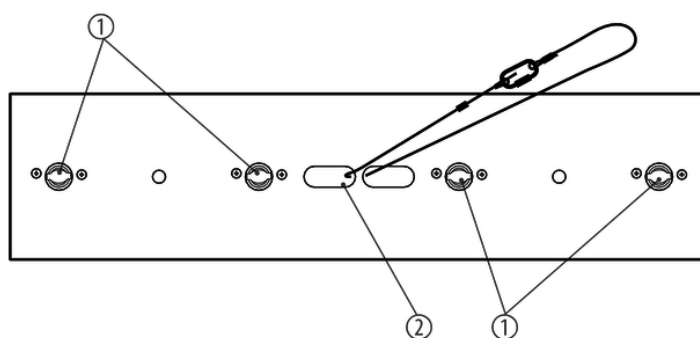
Never connect the DMX input or output to audio devices such as mixers or amplifiers.

**Mounting options**

The quick lock openings on the housing bottom are used for secure attachment of the supplied Omega brackets. Here you can connect flight adapters (such as C-hooks). The safety rope must pass through the notches on the bottom case as shown in the following figure.

You can install the unit in hanging or standing position. When in use, the device must always be attached to a solid surface or an approved truss.

Always work from a stable platform whenever installing, moving or servicing the unit. In doing so, the area underneath the unit must be cordoned off.



1 Quick lock openings for Omega brackets

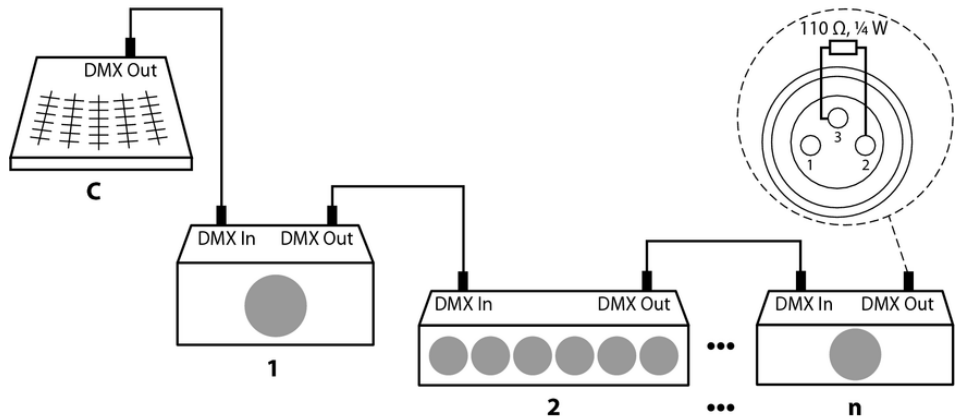
2 Openings for safety cable

## 5 Starting up

Create all connections while the device is off. Use the shortest possible high-quality cables for all connections. Take care when running the cables to prevent tripping hazards.

### Connections in DMX mode

Connect the DMX input of the device to the DMX output of a DMX controller or another DMX device. Connect the output of the first DMX device to the input of the second one, and so on to form a daisy chain. Always ensure that the output of the last DMX device in the daisy chain is terminated with a resistor (110 Ω, ¼ W).



### Connections in master/slave mode

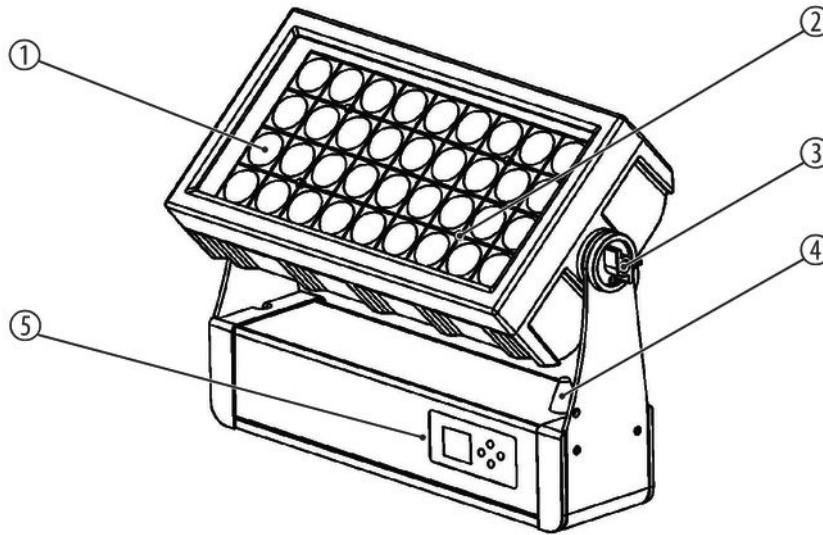
When you configure a group of devices in master/slave mode, the first unit will control the other units. This function is ideal when you want to start a show immediately. Connect the DMX output of the master device to the DMX input of the first slave device. Then connect the DMX output of the first slave device to the DMX input of the second slave device and so on.



*Please note that this device must not be connected to a dimmer.*

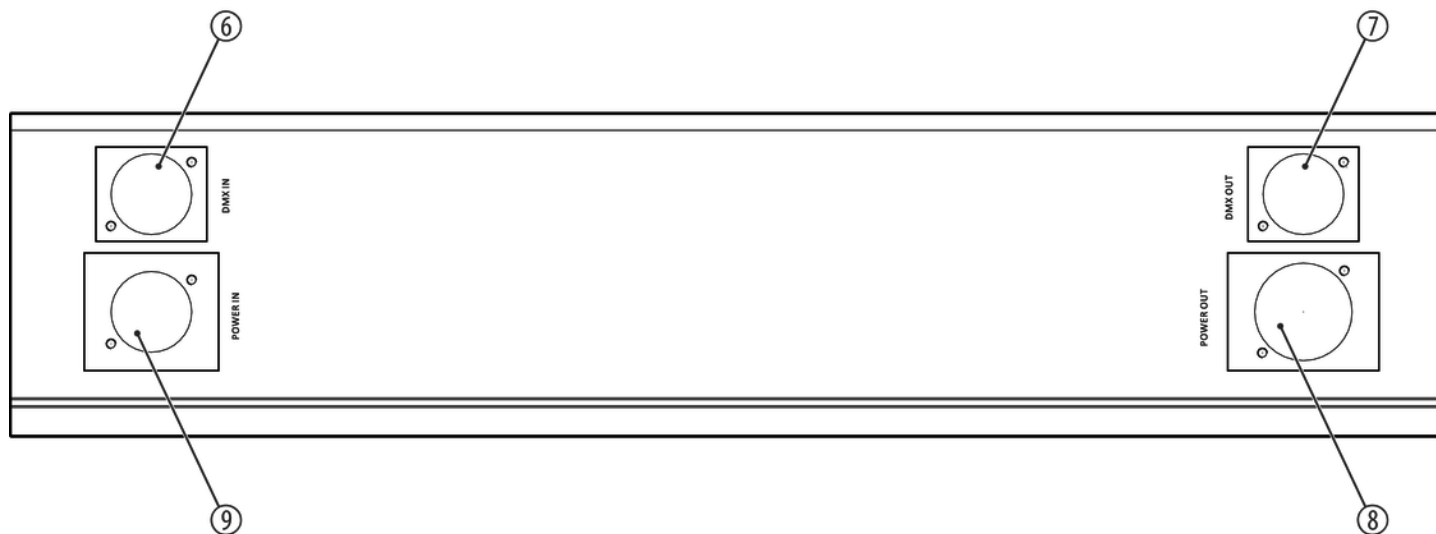
## 6 Connections and controls

### Overview



1	Adjustable LED panel
2	Zoom motor
3	Locking screw for the LED panel
4	Radio antenna
5	Control panel with display membrane button
	<i>[MENU]</i>
	Activates the main menu and toggles between menu items. Closes an opened submenu.
	<i>[UP]</i>
	Navigates upwards in a menu list. Increases the displayed value by one.
	<i>[DOWN]</i>
	Navigates downwards in a menu list. Decreases the displayed value by one.
	<i>[ENTER]</i>
	Selects an option of the respective operating mode, confirms the set value.

## Rear panel



6	<i>[DMX IN]</i> DMX input (IP65 design)
7	<i>[DMX OUT]</i> DMX output (IP65 design)
8	<i>[POWER OUT]</i> Connection supply voltage outgoing (Power Twist IP65)
9	<i>[POWER IN]</i> Connection supply voltage incoming (Power Twist IP65)

## 7 Operating

### 7.1 Starting the device

Connect the device to the power supply to start operation. After a few seconds, the display indicates that a reset is in progress. The device is then ready for use. The display shows the operating mode that was selected when the unit was last powered off.

## 7.2 Main menu

If the display is in standby, unlock it: Successively press *[UP]*, *[DOWN]*, *[UP]*, *[DOWN]* and *[ENTER]*.

Press *[MODE]* to activate the main menu. Use the buttons *[UP]* or *[DOWN]* to select a submenu. When the display shows the desired submenu, press *[ENTER]* to open it. To close the main menu, press *[MODE]*. The stored values are displayed in white in the display. Changed values are displayed in red until they are confirmed by *[ENTER]*.

All previously made settings are retained even when you disconnect the device from the power grid. To restart with default values, use the function 'Factory Reset'.

The following table shows the setting options.

Main menu	Menu level 2	Menu level 3	Menu level 4		
Meaning					
'DMX Address'	'Set DMX address'	001...512	Setting the DMX address		
'MODE'	'DMX Signal Select'	Selection of the DMX transmission type			
		'DMX'	DMX via cable		
		'Wireless DMX'	DMX via radio transmission		
	'DMX Mode'	Selecting a DMX mode			
		'DMX 3Ch'	3-channel DMX mode		
		'DMX 4Ch1'	4-channel DMX mode 1		
		'DMX 4Ch2'	4-channel DMX mode 2		
		'DMX 5Ch'	5-channel DMX mode		
		'DMX 15Ch'	15-channel DMX mode		
		'DMX 20Ch'	20-channel DMX mode		
		'DMX 21Ch'	21-channel DMX mode		
	'DMX 37Ch'	37-channel DMX mode			
	'Slave'	'Slave'	Operating mode 'Slave'		
	'Auto'	'Auto Fading'	0...255	Automatic Fade effect	
		'Auto Jumping'	0...255	Automatic Jump effect	
	'Static'	'Dimmer'	0...255	Setting the overall brightness	
		'Strobe'	Strobe effect		
			0...5	Open strobe	
			6...10	Closed strobe	
11...33	Random Pulse effect with increasing speed				



Main menu	Menu level 2	Menu level 3	Menu level 4
Meaning			
			34...56 Ramp-up effect with increasing speed
			57...79 Random Ramp-down effect with increasing speed
			80...102 Random strobe effect with increasing speed
			103...127 Strobe-burst effect with decreasing duration of interruptions
			128...250 Strobe effect with increasing speed
			251...255 Open strobe
		'Red'	0...255 Intensity red (0 % to 100 %)
		'Green'	0...255 Intensity green (0 % to 100 %)
		'Blue'	0...255 Intensity blue (0 % to 100 %)
		'White'	0...255 Intensity white (0 % to 100 %)
		'Rainbow'	Rainbow effect
			0...5 Effect off
			6...21 Rainbow effect 1
			22...37 Rainbow effect 2
			38...53 Fading green-orange
			54...69 Pulse rod-orange
			70...85 Pulse blue-white
			86...101 Fading blue-yellow
			102...117 Rainbow effect 7
			118...133 Rainbow effect 8
			134...149 Rainbow effect 9
			150...165 Rainbow effect 10
			166...181 Rainbow effect 11
			182...197 Rainbow effect 12
			198...213 Rainbow effect 13
			214...229 Rainbow effect 14
			230...255 Rainbow effect 15
		'Auto Program'	Automatic show

Main menu	Menu level 2	Menu level 3	Menu level 4
	<b>Meaning</b>		
			0...5 No automatic show
			6...30 Automatic show 1
			31...55 Automatic show 2
			56...80 Automatic show 3
			81...105 Automatic show 4
			106...130 Automatic show 5
			131...155 Automatic show 6
			156...180 Automatic show 7
			181...205 Automatic show 8
			206...230 Automatic show 9
			231...255 Automatic show 10
		'Auto speed'	0...255 Running speed automatic show, increasing
		'Auto Fade'	0...255 Fade speed for automatic shows
		'Zoom'	0...255 variable beam angle 7°...58°
		'Ground Dimmer'	0...255 Dimmer 0 %...100 %
		'Ground Strobe'	0...255 Stroboscope effect with increasing speed 0 Hz...20 Hz
		'Ground Red'	0...255 Intensity red (0 % to 100 %)
		'Ground Green'	0...255 Intensity green (0 % to 100 %)
		'Ground Blue'	0...255 Intensity blue (0 % to 100 %)
	'Color Macro'	Pre-defined colour	
		'Red'	Red
		'Amber'	Amber
		'Yellow Amber'	Yellowish-amber coloured
		'Yellow'	Yellow
		'Green'	Green
		'Turquoise'	Turquoise
		'Cyan'	Cyan
		'Blue'	Blue
		'Lavender'	Lavender

Main menu	Menu level 2	Menu level 3	Menu level 4	
	<b>Meaning</b>			
		'Mauve'	Mauve	
		'Magenta'	Magenta	
		'Pink'	Pink	
		'Warm White'	Warm white	
		'White'	White	
		'Cold White'	Cold white	
'Settings'	'Display Rev'	Display inversion		
		'ON'	On, display is rotated by 180°	
		'OFF'	Off, normal display	
	'Display'	Automatic display shutdown when not in use		
		'ON'	Enabled	
		'OFF'	Disabled	
	'DMX Fail'	Device behaviour on DMX signal failure		
		'Hold'	Retaining last settings	
		'Blackout'	Blackout	
	'Dimmer Curve'	Dimmer curve		
		'Linear'	Linear	
		'Exp'	Exponential	
		'Log'	Logarithmic	
		'S Curve'	S-shaped	
	'Dimmer Response'	Dimmer characteristic		
		'LED'	Dimmer characteristic 'LED' (3 s delay)	
		'Halogen'	Dimmer characteristic 'Halogen' (5 s delay)	
	'White Balance'	White balance		
		'Red'	0...255	Red proportion
		'Green'	0...255	Green proportion
		'Blue'	0...255	Blue proportion
		'White'	0...255	White proportion
	Calibrate	Calibrating the home position of the lens		
'Zoom'		0...127	Adjusting smallest angle	
		128...255	Adjusting widest angle	

Main menu	Menu level 2	Menu level 3	Menu level 4	
	<b>Meaning</b>			
	'Fan Set'	Fan speed		
		'Auto'	Automatic fan speed control	
		'High'	Fan speed constantly high	
	'Wireless DMX'	Wireless DMX control		
		'No'	Disabled	
		'Yes'	Enabled	
	'Test'	Function tests		
		'ALL'	Testing all functions	
		'Zoom'	Testing zoom motor	
		'BEAM LED'	Testing beam LEDs	
		'Ground LED'	Testing background LEDs	
	'Factory Reset'	Reset to factory defaults		
		'OFF'	Turned off	
		'ON'	Starting	
	'Key lock'	Key lock		
'OFF'		Turned off		
'ON'		Enabled To unlock the keys, press successively [ENTER], [UP], [DOWN], [UP], [DOWN] and [ENTER].		
'System Info'	'Software Ver'	Show firmware version of the device		
	'Temp info'	'LED Temp'	Show device temperature	
		'Temp Unit'	Unit selection for device temperature	
			'Celsius'	
		'Fahrenheit'		
	'Time info'	Operating hours display		
		'Power on'	Total operating hours	
'Last run hrs'		Operating hours since last power up		

## 7.2.1 Operating mode 'DMX'

In DMX mode, the display shows the set DMX mode in its top row and the DMX start address set in the lower part. The display flashes if no DMX signal is received.

### 7.2.2 Operating mode 'Slave'

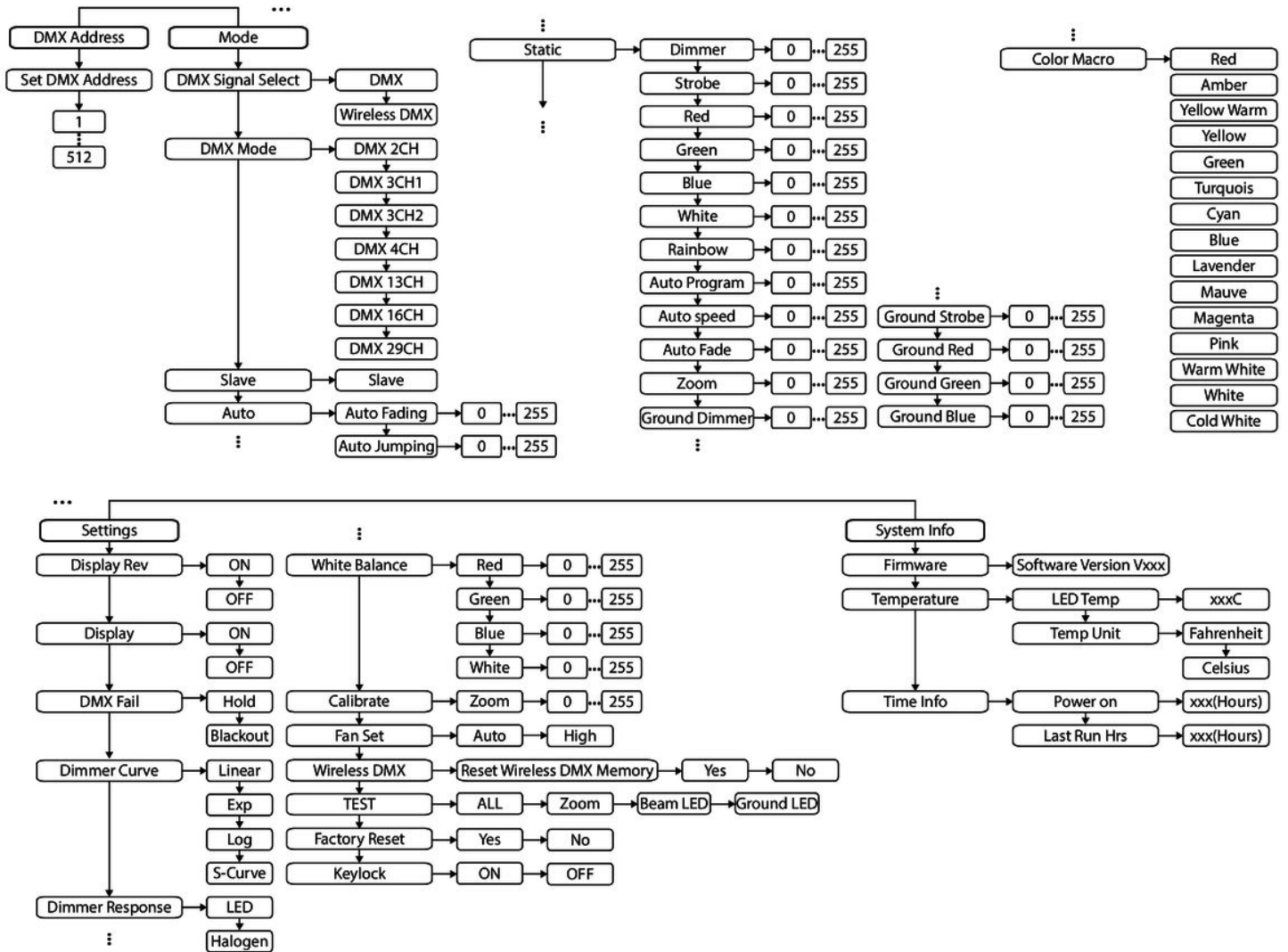
In Slave mode, the display shows in the lower part '*Operating Mode: SLAVE*'. The display flashes if no control signal is received.

### 7.2.3 Operating mode 'Stand-alone'

In Stand-alone mode, the display in its lower part shows how the device is currently set:

- '*Operating Mode: AUTO Fading*': Automatic Fade effect
- '*Operating Mode: AUTO Jumping*': Automatic Jump effect
- '*Operating Mode: STATIC*': Freely mixable colour with optional rainbow and stroboscopic effect or automatic show
- '*Operating Mode: Color Macro*': Selecting a pre-defined colour macro

### 7.3 Menu overview



### 7.4 Functions in 3-channel DMX mode

Channel	Value	Function
1	0...255	Zoom (0 % to 100 %)
2	0...255	Dimmer (0 % to 100 %)
3	Colour macro	
	0...5	Blackout
	6...13	Red

Channel	Value	Function
	14...21	Amber
	22...29	Yellowish-amber coloured
	30...37	Yellow
	38...45	Green
	46...53	Turquoise
	54...61	Cyan
	62...69	Blue
	70...77	Lavender
	78...85	Mauve
	86...93	Magenta
	94...101	Pink
	102...109	Warm white
	110...117	White
	118...125	Cold white
	126...127	No function
	128...191	Colour change effect, increasing speed
	192...255	Colour transition effect, increasing speed

## 7.5 Functions in 4-channel DMX mode 1

Channel	Value	Function
1	0...255	Zoom (0 % to 100 %)
2	0...255	Dimmer (0 % to 100 %)
3	Stroboscope functions	
	0...5	Open strobe
	6...10	Closed strobe
	11...250	Strobe effect with increasing speed
	251...255	Open strobe
4	Colour macro	
	0...5	Blackout
	6...13	Red
	14...21	Amber

Channel	Value	Function
	22...29	Yellowish-amber coloured
	30...37	Yellow
	38...45	Green
	46...53	Turquoise
	54...61	Cyan
	62...69	Blue
	70...77	Lavender
	78...85	Mauve
	86...93	Magenta
	94...101	Pink
	102...109	Warm white
	110...117	White
	118...125	Cold white
	126...127	No function
	128...191	Colour change effect, increasing speed
	192...255	Colour transition effect, increasing speed

## 7.6 Functions in 4-channel DMX mode 2

Channel	Value	Function
1	0...255	Zoom (0 % to 100 %)
2	0...255	Intensity red (0 % to 100 %)
3	0...255	Intensity green (0 % to 100 %)
4	0...255	Intensity blue (0 % to 100 %)

## 7.7 Functions in 5-channel DMX mode

Channel	Value	Function
1	0...255	Zoom (0 % to 100 %)
2	0...255	Intensity red (0 % to 100 %)
3	0...255	Intensity green (0 % to 100 %)



Channel	Value	Function
4	0...255	Intensity blue (0 % to 100 %)
5	0...255	Intensity white (0 % to 100 %)

## 7.8 Functions in 15-channel DMX mode

Channel	Value	Function
1	0...255	Zoom (0 % to 100 %)
2	0...255	Dimmer (0 % to 100 %)
3	Stroboscope functions	
	0...5	Open strobe
	6...10	Closed strobe
	11...250	Strobe effect with increasing speed
	251...255	Open strobe
4	0...255	Intensity red (0 % to 100 %)
5	0...255	Intensity green (0 % to 100 %)
6	0...255	Intensity blue (0 % to 100 %)
7	0...255	Intensity white (0 % to 100 %)
8	Colour macro	
	0...5	Blackout
	6...13	Red
	14...21	Amber
	22...29	Yellowish-amber coloured
	30...37	Yellow
	38...45	Green
	46...53	Turquoise
	54...61	Cyan
	62...69	Blue
	70...77	Lavender
	78...85	Mauve
	86...93	Magenta
	94...101	Pink
102...109	Warm white	

Channel	Value	Function
	110...117	White
	118...125	Cold white
	126...127	No function
	128...191	Colour change effect, increasing speed
	192...255	Colour transition effect, increasing speed
9	Dimmer curve	
	0...5	No function
	6...63	Linear
	64...127	Exponential
	128...191	Logarithmic
	192...255	S-shaped
10	Special functions. Settings are enabled or retained if the corresponding DMX value is held for five seconds.	
	0...5	No function
	6...55	Dimmer characteristic 'LED' (3 s delay)
	56...105	Dimmer characteristic 'Halogen' (5 s delay)
	106...155	Fan speed constantly high
	156...205	Automatic fan speed control
	206...255	Reset
11	0...255	Dimmer background colour (0 % to 100 %)
12	0...255	Stroboscope effect background colour with increasing speed (0 % to 100 %)
13	0...255	Background intensity red (0 % to 100 %)
14	0...255	Background intensity green (0 % to 100 %)
15	0...255	Background intensity blue (0 % to 100 %)

## 7.9 Functions in 20-channel DMX mode

Channel	Value	Function
1	0...255	Zoom (0 % to 100 %)
2	0...255	Intensity red (0 % to 100 %), LED row 1
3	0...255	Intensity green (0 % to 100 %), LED row 1
4	0...255	Intensity blue (0 % to 100 %), LED row 1
5	0...255	Intensity white (0 % to 100 %), LED row 1

Channel	Value	Function
6	0...255	Intensity red (0 % to 100 %), LED row 2
7	0...255	Intensity green (0 % to 100 %), LED row 2
8	0...255	Intensity blue (0 % to 100 %), LED row 2
9	0...255	Intensity white (0 % to 100 %), LED row 2
10	0...255	Intensity red (0 % to 100 %), LED row 3
11	0...255	Intensity green (0 % to 100 %), LED row 3
12	0...255	Intensity blue (0 % to 100 %), LED row 3
13	0...255	Intensity white (0 % to 100 %), LED row 3
14	0...255	Intensity red (0 % to 100 %), LED row 4
15	0...255	Intensity green (0 % to 100 %), LED row 4
16	0...255	Intensity blue (0 % to 100 %), LED row 4
17	0...255	Intensity white (0 % to 100 %), LED row 4
18	0...255	Background intensity red (0 % to 100 %)
19	0...255	Background intensity green (0 % to 100 %)
20	0...255	Background intensity blue (0 % to 100 %)

## 7.10 Functions in 21-channel DMX mode

Channel	Value	Function
1	0...255	Zoom (0 % to 100 %)
2	0...255	Zoom with decreasing speed
3	0...255	Dimmer (0 % to 100 %)
4	Stroboscope functions	
	0...5	Open strobe
	6...10	Closed strobe
	11...33	Random Pulse effect with increasing speed
	34...56	Ramp-up effect with increasing speed
	57...79	Random Ramp-down effect with increasing speed
	80...102	Random strobe effect with increasing speed
	103...127	Strobe-burst effect with decreasing duration of interruptions
	128...250	Strobe effect with increasing speed
	251...255	Open strobe

Channel	Value	Function
5	0...255	Intensity red (0 % to 100 %)
6	0...255	Intensity green (0 % to 100 %)
7	0...255	Intensity blue (0 % to 100 %)
8	0...255	Intensity white (0 % to 100 %)
9	Colour macro	
	0...5	Blackout
	6...13	Red
	14...21	Amber
	22...29	Yellowish-amber coloured
	30...37	Yellow
	38...45	Green
	46...53	Turquoise
	54...61	Cyan
	62...69	Blue
	70...77	Lavender
	78...85	Mauve
	86...93	Magenta
	94...101	Pink
	102...109	Warm white
	110...117	White
	118...125	Cold white
126...127	No function	
128...191	Colour change effect, increasing speed	
192...255	Colour transition effect, increasing speed	
10	Rainbow effect	
	0...5	Effect off
	6...21	Rainbow effect 1
	22...37	Rainbow effect 2
	38...53	Fading green-orange
	54...69	Pulse red-orange
	70...85	Pulse blue-white
	86...101	Fading blue-yellow

Channel	Value	Function
	102...117	Rainbow effect 7
	118...133	Rainbow effect 8
	134...149	Rainbow effect 9
	150...165	Rainbow effect 10
	166...181	Rainbow effect 11
	182...197	Rainbow effect 12
	198...213	Rainbow effect 13
	214...229	Rainbow effect 14
	230...255	Rainbow effect 15
11	Automatic show	
	0...5	No automatic show
	6...30	Automatic show 1
	31...55	Automatic show 2
	56...80	Automatic show 3
	81...105	Automatic show 4
	106...130	Automatic show 5
	131...155	Automatic show 6
	156...180	Automatic show 7
	181...205	Automatic show 8
	206...230	Automatic show 9
231...255	Automatic show 10	
12	0...255	Running speed automatic show, increasing
13	0...255	Automatic Fade effect
14	Dimmer curve	
	0...5	No function
	6...63	Linear
	64...127	Exponential
	128...191	Logarithmic
	192...255	S-shaped
15	Special functions. Settings are enabled or retained if the corresponding DMX value is held for five seconds.	
	0...5	No function
	6...55	Dimmer characteristic 'LED' (3 s delay)

Channel	Value	Function
	56...105	Dimmer characteristic 'Halogen' (5 s delay)
	106...155	Fan speed constantly high
	156...205	Automatic fan speed control
	206...255	Reset
16	0...255	Dimmer background colour (0 % to 100 %)
17	0...255	Stroboscope effect background colour with increasing speed (0 % to 100 %)
18	0...255	Background intensity red (0 % to 100 %)
19	0...255	Background intensity green (0 % to 100 %)
20	0...255	Background intensity blue (0 % to 100 %)
21	Colour macro background	
	0...5	Blackout
	6...13	Red
	14...21	Amber
	22...29	Yellowish-amber coloured
	30...37	Yellow
	38...45	Green
	46...53	Turquoise
	54...61	Cyan
	62...69	Blue
	70...77	Lavender
	78...85	Mauve
	86...93	Magenta
	94...101	Pink
	102...109	Warm white
	110...117	White
	118...125	Cold white
	126...127	No function
	128...191	Colour change effect, increasing speed
	192...255	Colour transition effect, increasing speed

## 7.11 Functions in 37-channel DMX mode

Channel	Value	Function
1	0...255	Zoom (0 % to 100 %)
2	0...255	Zoom with decreasing speed
3	0...255	Dimmer (0 % to 100 %)
4	Stroboscope functions	
	0...5	Open strobe
	6...10	Closed strobe
	11...33	Random Pulse effect with increasing speed
	34...56	Ramp-up effect with increasing speed
	57...79	Random Ramp-down effect with increasing speed
	80...102	Random strobe effect with increasing speed
	103...127	Strobe-burst effect with decreasing duration of interruptions
	128...250	Strobe effect with increasing speed
	251...255	Open strobe
5	0...255	Intensity red (0 % to 100 %)
6	0...255	Intensity green (0 % to 100 %)
7	0...255	Intensity blue (0 % to 100 %)
8	0...255	Intensity white (0 % to 100 %)
9	Colour macro	
	0...5	Blackout
	6...13	Red
	14...21	Amber
	22...29	Yellowish-amber coloured
	30...37	Yellow
	38...45	Green
	46...53	Turquoise
	54...61	Cyan
	62...69	Blue
	70...77	Lavender
	78...85	Mauve
	86...93	Magenta
	94...101	Pink

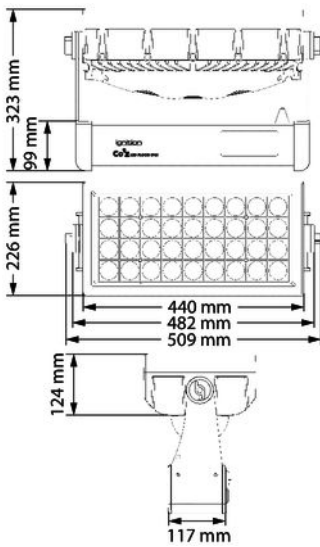
Channel	Value	Function
	102...109	Warm white
	110...117	White
	118...125	Cold white
	126...127	No function
	128...191	Colour change effect, increasing speed
	192...255	Colour transition effect, increasing speed
10	Rainbow effect	
	0...5	Effect off
	6...21	Rainbow effect 1
	22...37	Rainbow effect 2
	38...53	Fading green-orange
	54...69	Pulse rod-orange
	70...85	Pulse blue-white
	86...101	Fading blue-yellow
	102...117	Rainbow effect 7
	118...133	Rainbow effect 8
	134...149	Rainbow effect 9
	150...165	Rainbow effect 10
	166...181	Rainbow effect 11
	182...197	Rainbow effect 12
	198...213	Rainbow effect 13
	214...229	Rainbow effect 14
230...255	Rainbow effect 15	
11	Automatic show	
	0...5	No automatic show
	6...30	Automatic show 1
	31...55	Automatic show 2
	56...80	Automatic show 3
	81...105	Automatic show 4
	106...130	Automatic show 5
	131...155	Automatic show 6
	156...180	Automatic show 7



Channel	Value	Function
	181...205	Automatic show 8
	206...230	Automatic show 9
	231...255	Automatic show 10
12	0...255	Running speed automatic show, increasing
13	0...255	Automatic Fade effect
14	Dimmer curve	
	0...5	No function
	6...63	Linear
	64...127	Exponential
	128...191	Logarithmic
	192...255	S-shaped
15	Special functions. Settings are enabled or retained if the corresponding DMX value is held for five seconds.	
	0...5	No function
	6...55	Dimmer characteristic 'LED' (3 s delay)
	56...105	Dimmer characteristic 'Halogen' (5 s delay)
	106...155	Fan speed constantly high
	156...205	Automatic fan speed control
	206...255	Reset
16	0...255	Intensity red (0 % to 100 %), LED row 1
17	0...255	Intensity green (0 % to 100 %), LED row 1
18	0...255	Intensity blue (0 % to 100 %), LED row 1
19	0...255	Intensity white (0 % to 100 %), LED row 1
20	0...255	Intensity red (0 % to 100 %), LED row 2
21	0...255	Intensity green (0 % to 100 %), LED row 2
22	0...255	Intensity blue (0 % to 100 %), LED row 2
23	0...255	Intensity white (0 % to 100 %), LED row 2
24	0...255	Intensity red (0 % to 100 %), LED row 3
25	0...255	Intensity green (0 % to 100 %), LED row 3
26	0...255	Intensity blue (0 % to 100 %), LED row 3
27	0...255	Intensity white (0 % to 100 %), LED row 3
28	0...255	Intensity red (0 % to 100 %), LED row 4
29	0...255	Intensity green (0 % to 100 %), LED row 4

Channel	Value	Function
30	0...255	Intensity blue (0 % to 100 %), LED row 4
31	0...255	Intensity white (0 % to 100 %), LED row 4
32	0...255	Dimmer background colour (0 % to 100 %)
33	0...255	Stroboscope effect background colour with increasing speed (0 % to 100 %)
34	0...255	Background intensity red (0 % to 100 %)
35	0...255	Background intensity green (0 % to 100 %)
36	0...255	Background intensity blue (0 % to 100 %)
37	Colour macro background	
	0...5	Blackout
	6...13	Red
	14...21	Amber
	22...29	Yellowish-amber coloured
	30...37	Yellow
	38...45	Green
	46...53	Turquoise
	54...61	Cyan
	62...69	Blue
	70...77	Lavender
	78...85	Mauve
	86...93	Magenta
	94...101	Pink
	102...109	Warm white
	110...117	White
	118...125	Cold white
	126...127	No function
128...191	Colour change effect, increasing speed	
192...255	Colour transition effect, increasing speed	

## 8 Technical specifications



Illuminant	36 × RGBW LEDs (each 15 W), background lighting: 72 × 0.2 W RGB LEDs
variable beam angle	7°...58°
Number of DMX channels	3, 4, 5, 15, 20, 21 or 34, depending on operating mode
Power consumption	500 W
Operating supply voltage	100 – 240 V ~ 50/60 Hz
Protection class	IP65
Temperature range	-20 °C ... +45 °C
Dimensions (W × H × D)	585 mm × 220 mm × 425 mm
Weight	15 kg

### Environmental conditions

Temperature range	0 °C...40 °C
Relative humidity	50 %, non-condensing

## 9 Plug and connection assignment

### Introduction

This chapter will help you select the right cables and plugs to connect your valuable equipment so that a perfect light experience is guaranteed.

Please take our tips, because especially in 'Sound & Light' caution is indicated: Even if a plug fits into a socket, the result of an incorrect connection may be a destroyed DMX controller, a short circuit or 'just' a not working light show!

### DMX connections

A three-pole coupling in IP65 design is used as DMX output, a three-pole plug in IP65 design is used as DMX input. The drawing below and the table show the pin assignment of a matching coupling.



Pin	Assignment
1	Ground (shielding)
2	Signal inverted (DMX-, 'cold')
3	Signal (DMX+, 'hot')

## 10 Troubleshooting

In the following we list a few common problems that may occur during operation. We give you some suggestions for easy troubleshooting:

Symptom	Remedy
The unit does not work, no light	Check the mains connection and main fuse.
One of the colours does not work or the colours differ when using several lamps.	Check the settings in the "White Balance" menu. Values may be set to '000' when no function is available. If the rendering of colours differs, set all colour values in the 'White Balance' menu to '255'. You can then fine tune the colour rendering.
No response to the DMX controller	<ol style="list-style-type: none"> <li>1. Check the DMX connectors and cables for proper connection</li> <li>2. Try using another DMX controller.</li> <li>3. Check whether the DMX cables run near or parallel to high-voltage cables that may cause damage or interference to a DMX interface circuit.</li> <li>4. Press Mode until the display shows 'ADDRESS XXX'.</li> <li>5. Check whether 'DMX' (for wired connection) is selected in the 'DMX Signal Select' menu.</li> </ol>
The devices do not link to the WDMX transmitter or do not respond to the W-DMX signal.	Check whether 'Wireless DMX' is selected in the 'DMX Signal Select' menu. Reset the connection by running a reset via the 'Reset Wireless DMX Memory' menu. The fixtures must then be reassigned to the transmitter by pressing [Link] on the transmitter.
The device does not respond to the W-DMX signal or responds with delay.	Check the transmission mode of the W-DMX transmitter. Test the connection in G5, G4S or G3 mode (if possible). Note that the W-DMX of all units must be reset after changing the transmitter.

If the procedures recommended above do not succeed, please contact our Service Center. You can find the contact information at [www.thomann.de](http://www.thomann.de).

# 11 Cleaning

### Optical lenses

Clean the optical lenses, that are accessible from the outside, regularly in order to optimize the light output. The frequency of cleaning depends on the operating environment: wet, smoky or particularly dirty surroundings can cause more accumulation of dirt on the optics of the device.

- Clean with a soft cloth using our lamp and lens cleaner (item no. 280122).
- Always dry the parts carefully.

## 12 Protecting the environment

### Disposal of the packaging material



For the transport and protective packaging, environmentally friendly materials have been chosen that can be supplied to normal recycling.

Ensure that plastic bags, packaging, etc. are properly disposed of.

Do not just dispose of these materials with your normal household waste, but make sure that they are collected for recycling. Please follow the notes and markings on the packaging.

### Disposal of your old device



This product is subject to the European Waste Electrical and Electronic Equipment Directive (WEEE) in its currently valid version. Do not dispose with your normal household waste.

Dispose of this device through an approved waste disposal firm or through your local waste facility. When discarding the device, comply with the rules and regulations that apply in your country. If in doubt, consult your local waste disposal facility.











