



LED Profile Mini IP65  
3200K bk, 3200K wh  
5600K bk, 5600K wh

LED spotlight

Musikhaus Thomann  
Thomann GmbH  
Hans-Thomann-Straße 1  
96138 Burgebrach  
Germany  
Telephone: +49 (0) 9546 9223-0  
E-mail: [info@thomann.de](mailto:info@thomann.de)  
Internet: [www.thomann.de](http://www.thomann.de)

27.06.2019, ID: 435627, 435629, 435628, 435630

---

# Table of contents

<b>1</b>	<b>General information</b> .....	<b>5</b>
	1.1 Further information.....	6
	1.2 Notational conventions.....	7
	1.3 Symbols and signal words.....	7
<b>2</b>	<b>Safety</b> .....	<b>10</b>
<b>3</b>	<b>Features</b> .....	<b>15</b>
<b>4</b>	<b>Installation</b> .....	<b>16</b>
<b>5</b>	<b>Connections and controls</b> .....	<b>19</b>
<b>6</b>	<b>Technical specifications</b> .....	<b>21</b>
<b>7</b>	<b>Cleaning</b> .....	<b>25</b>
<b>8</b>	<b>Protecting the environment</b> .....	<b>26</b>



**4** LED Profile Mini IP65 3200K bk, 3200K wh 5600K bk, 5600K wh  
LED spotlight

# 1 General information

This user manual contains important information on the safe operation of the device. Read and follow all safety notes and all instructions. Save this manual for future reference. Make sure that it is available to all persons using this device. If you sell the device to another user, be sure that they also receive this manual.

Our products and user manuals are subject to a process of continuous development. We therefore reserve the right to make changes without notice. Please refer to the latest version of the user manual which is ready for download under [www.thomann.de](http://www.thomann.de).

### 1.1 Further information

On our website ([www.thomann.de](http://www.thomann.de)) you will find lots of further information and details on the following points:

Download	This manual is also available as PDF file for you to download.
Keyword search	Use the search function in the electronic version to find the topics of interest for you quickly.
Online guides	Our online guides provide detailed information on technical basics and terms.
Personal consultation	For personal consultation please contact our technical hotline.
Service	If you have any problems with the device the customer service will gladly assist you.

## 1.2 Notational conventions

This manual uses the following notational conventions:



### Letterings

The letterings for connectors and controls are marked by square brackets and italics.




**Examples:** *[VOLUME]* control, *[Mono]* button.

## 1.3 Symbols and signal words

In this section you will find an overview of the meaning of symbols and signal words that are used in this manual.

Signal word	Meaning
<b>DANGER!</b>	This combination of symbol and signal word indicates an immediate dangerous situation that will result in death or serious injury if it is not avoided.
<b>WARNING!</b>	This combination of symbol and signal word indicates a possible dangerous situation that can result in death or serious injury if it is not avoided.
<b>NOTICE!</b>	This combination of symbol and signal word indicates a possible dangerous situation that can result in material and environmental damage if it is not avoided.
Warning signs	Type of danger
	Warning – high-voltage.
	Warning – hot surface.



Warning signs	Type of danger
	Warning – dangerous optical radiation.
	Warning – suspended load.
	Warning – danger zone.

## 2 Safety

### Intended use

This device is intended for use as an electronic lighting effect by means of LED technology. The device is designed for professional use and is not suitable for use in households. Use the device only as described in this user manual. Any other use or use under other operating conditions is considered to be improper and may result in personal injury or property damage. No liability will be assumed for damages resulting from improper use.

This device may be used only by persons with sufficient physical, sensorial, and intellectual abilities and having corresponding knowledge and experience. Other persons may use this device only if they are supervised or instructed by a person who is responsible for their safety.

Extend the life of the device by regular breaks in operation and avoid switching it on and off frequently. This device is not suitable for continuous use.

**Safety****DANGER!****Danger for children**

Ensure that plastic bags, packaging, etc. are disposed of properly and are not within reach of babies and young children. Choking hazard!

Ensure that children do not detach any small parts (e.g. knobs or the like) from the unit. They could swallow the pieces and choke!

Never let children unattended use electrical devices.

**DANGER!****Electric shock caused by short-circuit**

Do not modify the mains cable or the plug. Failure to do so could result in electric shock/death or fire. If in doubt, seek advice from a registered electrician.



**DANGER!**

**Electric shock caused by high voltages inside**

Within the device there are areas where high voltages may be present. Never remove any covers.

There are no user-serviceable parts inside.

Do not use the device if covers, protectors or optical components are missing or damaged.



**WARNING!**

**Eye damage caused by high light intensity**

Never look directly into the light source.

**WARNING!****Risk of epileptic shock**

Strobe lighting can trigger seizures in photosensitive epilepsy. Sensitive persons should avoid looking at strobe lights.

**WARNING!****Risk of burns**

The surface of the device can become very hot during operation.

Do not touch the device with bare hands during operation, and after switching off wait for at least 15 minutes.

**NOTICE!****Risk of fire**

Do not block areas of ventilation. Do not install the device near any direct heat source. Keep the device away from naked flames.



### **NOTICE!**

#### **Power supply**

Before connecting the device, ensure that the input voltage (AC outlet) matches the voltage rating of the device and that the AC outlet is protected by a residual current circuit breaker. Failure to do so could result in damage to the device and possibly injure the user.

Unplug the device before electrical storms occur and when it is unused for long periods of time to reduce the risk of electric shock or fire.

### 3 Features

Small LED profile spotlight with four shutter sliders, ideal for temporary object lighting or gobo projection.

Special features of the device:

- 20 watt LED module
- Colour temperature 3200 or 5600 K (depending on model)
- Beam angle adjustable from 15° to 30°
- Focus manually adjustable
- Adjustable mounting bracket
- Compact, water-protected construction

For technological reasons, the light output of LEDs decreases over their lifetime. This effect increases with higher operating temperature. You can extend the service life of the illuminants by providing adequate ventilation and operating the LEDs with the lowest possible brightness.

## 4 Installation

Unpack and check carefully there is no transportation damage before using the unit. Keep the equipment packaging. To fully protect the product against vibration, dust and moisture during transportation or storage use the original packaging or your own packaging material suitable for transport or storage, respectively.



### **WARNING!**

#### **Risk of injury caused by falling objects**

Make sure that the installation complies with the standards and rules that apply in your country. Always secure the device with a secondary safety attachment, such as a safety cable or a safety chain.



**NOTICE!****Risk of overheating**

Always ensure sufficient ventilation.

The ambient temperature must not exceed the limits stated in the chapter Technical Specifications of the User Manual.

**NOTICE!****Use of stands**

When mounting the device onto a stand, ensure that the stand is in a safe and stable position and that the weight of the device does not exceed the maximum permissible load capacity of the stand.

**Mounting options**

You can install the unit in hanging or standing position. When in use, the device must always be attached to a solid surface or an approved truss. Use the openings of the bracket provided for mounting.

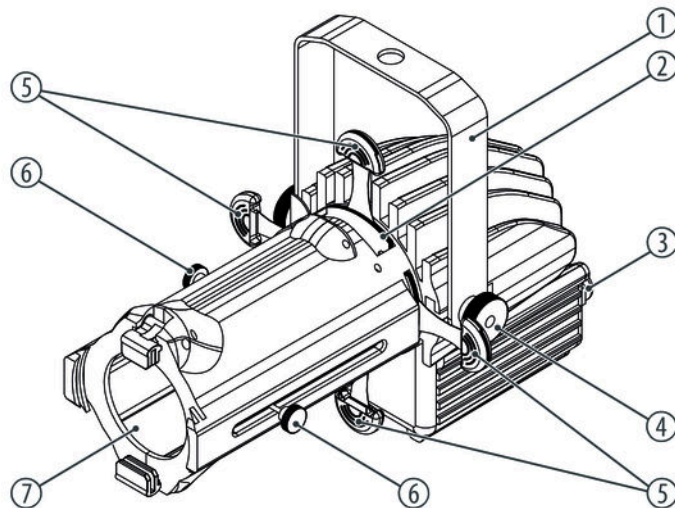
Always work from a stable platform whenever installing, moving or servicing the unit. In doing so, the area underneath the unit must be cordoned off.

The safety cable must be attached to the bracket.



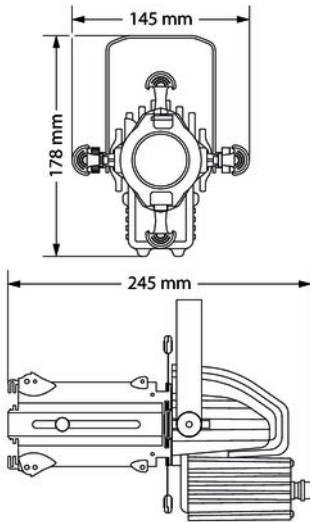
*Please note that this device must not be connected to a dimmer.*

## 5 Connections and controls



1	Mounting bracket
2	Gobo holder
3	Power cord
4	Locking screw for the mounting bracket
5	Shutter slider
6	Adjustment knob for beam angle and focus
7	Light aperture

## 6 Technical specifications



<b>Varytec LED Profile Mini IP65 3200K bk/wh</b>		<b>Item no. 435627</b>	<b>Item no. 435629</b>
Light source		1 × LED module, 20 W	
Light source properties	Colour temperature	3200 K	
	Colour rendering index	97 CRI Ra	
	Light output	3076 lux @ 1 m, 15° beam angle	
7092 lux @ 1 m, 30° beam angle			
Optical properties	Beam angle	15° ... 30°	
Power consumption		20 W	
Operating supply voltage		110 – 240 V ~ 50/60 Hz	
Protection class		IP65	
Mounting options		hanging, standing	
Dimensions (W × H × D)		145 mm × 178 mm × 245 mm	

<b>Varytec LED Profile Mini IP65 3200K bk/wh</b>		<b>Item no. 435627</b>	<b>Item no. 435629</b>
Weight		1.6 kg	
Housing colour		black	White
Ambient conditions	Temperature range	0 °C...40 °C	
	Relative humidity	50 %, non-condensing	

<b>Varytec LED Profile Mini IP65 5600K bk/wh</b>		<b>Item no. 435628</b>	<b>Item no. 435630</b>
Light source		1 × LED module, 20 W	
Light source properties	Colour temperature	5600 K	
	Colour rendering index	97 CRI Ra	
	Light output	3076 lux @ 1 m, 15° beam angle	
7092 lux @ 1 m, 30° beam angle			
Optical properties	Beam angle	15° ... 30°	

<b>Varytec LED Profile Mini IP65 5600K bk/wh</b>		<b>Item no. 435628</b>	<b>Item no. 435630</b>
Power consumption		20 W	
Operating supply voltage		110 – 240 V ~ 50/60 Hz	
Protection class		IP65	
Mounting options		hanging, standing	
Dimensions (W × H × D)		145 mm × 178 mm × 245 mm	
Weight		1.6 kg	
Housing colour		black	White
Ambient conditions	Temperature range	0 °C...40 °C	
	Relative humidity	50 %, non-condensing	

### Further information

	<b>Item no. 435627</b>	<b>Item no. 435629</b>	<b>Item no. 435628</b>	<b>Item no. 435630</b>
Light source	LED	LED	LED	LED
Colour mixing / colour temperature	WW	WW	CW	CW
Fanless	Yes	Yes	Yes	Yes
Zoom	Yes	Yes	Yes	Yes



## 7 Cleaning

### Optical lenses

Clean the optical lenses, that are accessible from the outside, regularly in order to optimize the light output. The frequency of cleaning depends on the operating environment: wet, smoky or particularly dirty surroundings can cause more accumulation of dirt on the optics of the device.

- Clean with a soft cloth using our lamp and lens cleaner (item no. 280122).
- Always dry the parts carefully.

## 8 Protecting the environment

### Disposal of the packaging material



For the transport and protective packaging, environmentally friendly materials have been chosen that can be supplied to normal recycling.

Ensure that plastic bags, packaging, etc. are properly disposed of.

Do not just dispose of these materials with your normal household waste, but make sure that they are collected for recycling. Please follow the notes and markings on the packaging.

### Disposal of your old device



This product is subject to the European Waste Electrical and Electronic Equipment Directive (WEEE) in its currently valid version. Do not dispose with your normal household waste.

Dispose of this device through an approved waste disposal firm or through your local waste facility. When discarding the device, comply with the rules and regulations that apply in your country. If in doubt, consult your local waste disposal facility.



