



LED Profile Mini IP65 3200K bk, 3200K wh, 5600K bk

LED Spotlight

Musikhaus Thomann
Thomann GmbH
Hans-Thomann-Straße 1
96138 Burgebrach
Germany
Telephone: +49 (0) 9546 9223-0
E-mail: info@thomann.de
Internet: www.thomann.de

07.03.2025, ID: 435627, 435629, 435628 (V3)

Table of contents

1	General information.....	5
	1.1 Symbols and signal words.....	5
2	Safety instructions.....	8
3	Features.....	11
4	Installation.....	12
5	Connections and controls.....	15
6	Technical specifications.....	17
7	Cleaning.....	19
8	Protecting the environment.....	20






1 General information



This document contains important instructions for the safe operation of the product. Read and follow the safety instructions and all other instructions. Keep the document for future reference. Make sure that it is available to all those using the product. If you sell the product to another user, be sure that they also receive this document.

Our products and documentation are subject to a process of continuous development. They are therefore subject to change. Please refer to the latest version of the documentation, which is ready for download under www.thomann.de.

1.1 Symbols and signal words

In this section you will find an overview of the meaning of symbols and signal words that are used in this document.

Signal word	Meaning
DANGER!	This combination of symbol and signal word indicates an immediate dangerous situation that will result in death or serious injury if it is not avoided.
WARNING!	This combination of symbol and signal word indicates a possible dangerous situation that can result in death or serious injury if it is not avoided.
NOTICE!	This combination of symbol and signal word indicates a possible dangerous situation that can result in material and environmental damage if it is not avoided.
Warning signs	Type of danger
	Warning – high-voltage.
	Warning – hot surface.
	Warning – dangerous optical radiation.

Warning signs	Type of danger
	<p>Warning – suspended load.</p>
	<p>Warning – danger zone.</p>

2 Safety instructions

Intended use

This device is intended for use as an electronic lighting effect by means of LED technology. The device is designed for professional use only and is not suitable for use in households. Use the device only as described in this user manual. Any other use or use under other operating conditions is considered to be improper and may result in personal injury or property damage. No liability will be assumed for damages resulting from improper use.

This device may be used only by persons with sufficient physical, sensorial, and intellectual abilities and having corresponding knowledge and experience. Other persons may use this device only if they are supervised or instructed by a person who is responsible for their safety.



Extend the operating life of the device by regular breaks and by avoiding frequent switching on and off. The device is not suitable for continuous operation.

Safety



DANGER!

Risk of injury and choking hazard for children!

Children can suffocate on packaging material and small parts. Children can injure themselves when handling the device. Never allow children to play with the packaging material and the device. Always store packaging material out of the reach of babies and small children. Always dispose of packaging material properly when it is not in use. Never allow children to use the device without supervision. Keep small parts away from children and make sure that the device does not shed any small parts (such knobs) that children could play with.

**DANGER!****Danger to life due to electric current!**

A short circuit could lead to a fire hazard and risk of death. Do not modify the mains cable or the plug! In case of isolation damage, disconnect immediately the power supply and arrange repair. If in doubt, seek advice from a qualified electrician.

**DANGER!****Danger to life due to electric current!**

Within the device there are areas where high voltages may be present. Never remove any covers. There are no user-serviceable parts inside. Do not use the device when covers, safety equipment or optical components are missing or damaged.

**WARNING!****Risk of eye damage caused by high light intensity!**

The device generates highly intense light radiation. Looking directly into the light source can damage the eyes. Never look directly into the light source.

**WARNING!****Danger of burns on the device surface!**

The surface of the device becomes very hot during operation. Skin contact can result in burns. Never touch the device with your bare hands during operation. After switching off the device, wait for at least 15 minutes before touching it.



NOTICE!

Damage to the device if operated in unsuitable ambient conditions!

The device can be damaged if it is operated in unsuitable ambient conditions. The device is suitable for outdoor use. Only operate the device within the ambient conditions specified in the “Technical specifications” chapter of this user manual. Use high-quality cables suitable for outdoor use for all connections. Avoid operating it in environments subject to direct sunlight, heavy pollution and strong vibrations. Avoid operating it in environments with strong temperature fluctuations. If temperature fluctuations cannot be avoided (for example after transport in low outside temperatures), do not switch on the device immediately. Never immerse the device in water. Avoid operating it in environments with direct water contact (e.g. ponds, fountains, etc.). Never move the device to another location while it is in operation. In environments with increased dirt levels (for example due to dust, smoke, nicotine or mist): Have the device cleaned by qualified specialists at regular intervals to prevent damage due to overheating and other malfunctions.



NOTICE!

Risk of fire due to covered vents and neighbouring heat sources!

If the vents of the device are covered or the device is operated in the immediate vicinity of other heat sources, the device can overheat and burst into flames. Never cover the device or the vents. Do not install the device in the immediate vicinity of other heat sources. Never operate the device in the immediate vicinity of naked flames.



NOTICE!

Risk of overheating and risk of fire when operated with closed diaphragm sliders!

If the spotlight is operated with the shutter slides closed, there is a risk of overheating and fire. In addition, even short-term operation with the shutter slides closed can reduce the service life of the LEDs. Use the device only with open diaphragm sliders.



NOTICE!

Damage to the device due to high voltages!

The device can be damaged if it is operated with the incorrect voltage or if high voltage peaks occur. In the worst case, excess voltages can also cause a risk of injury and fires. Make sure that the voltage specification on the device matches the local power grid before plugging in the device. Only operate the device from professionally installed mains sockets that are protected by a residual current circuit breaker (FI). Ensure that the power cord plug is easily accessible at all times if it is the only device to safely disconnect the device from the mains supply. As a precaution, disconnect the device from the power grid when storms are approaching or if the device will not be used for a longer period.

3 Features

Small LED profile spotlight with four shutter sliders, ideal for temporary object lighting or gobo projection.

Special features of the device:

- 20 W LED module
- Colour temperature 3200 K or 5600 K (depending on the model)
- Beam angle adjustable from 15° to 30°
- Focus manually adjustable
- Adjustable mounting bracket
- Sturdy die-cast aluminium housing
- Compact, water-protected construction
- International Protection Rating IP65 (suitable for outdoor use)
- Fanless convection cooling
- Including Gobo holder

For technological reasons, the light output of LEDs decreases over their lifetime. This effect increases with higher operating temperature. You can extend the service life of the illuminants by providing adequate ventilation and operating the LEDs with the lowest possible brightness.

4 Installation

Unpack and check carefully there is no transportation damage before using the unit. Keep the equipment packaging. To fully protect the product against vibration, dust and moisture during transportation or storage use the original packaging or your own packaging material suitable for transport or storage, respectively.



WARNING!

Risk of injury from falling devices that were inadequately secured!

If devices are not properly secured during assembly, they can cause severe injury and considerable damage by falling.

When installing and operating, make sure to follow the standards and regulations that apply in your country.

Always secure the device with a secondary safety attachment, such as a safety cable or a safety chain.

**NOTICE!****Risk of overheating due to bad ventilation!**

If the device is badly ventilated, the device can overheat.

Do not operate the unit at ambient temperatures outside the specified temperature range (see chapter "Technical data" of the user manual).

Always ensure sufficient ventilation at the operating location.

**NOTICE!****Potential property damage due to unsuitable stands!**

If the device is mounted on an unsuitable stand, there is a risk that the stand will fall over and cause damage.

Only use stands whose maximum bearing capacity is at least as high as the weight of the device. Always ensure that the stand is stable.

**Comply with regulations**

When installing and operating, make sure to follow the standards and regulations that apply in your country.

Mounting options

You can install the device in hanging or standing positions. When in use, the device must always be attached to a solid surface or an approved mount. Use the openings provided on the bracket for attaching.

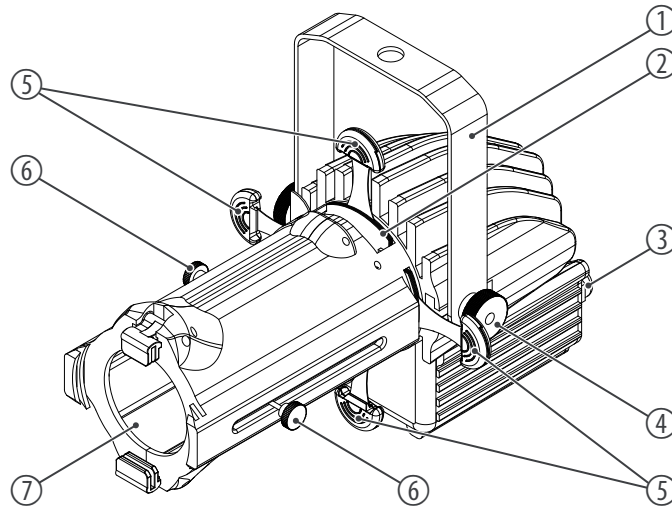
Always work from a stable platform whenever installing, moving or servicing the device. While you do this, the area underneath the device must be cordoned off.

The safety cable must be attached to the bracket.



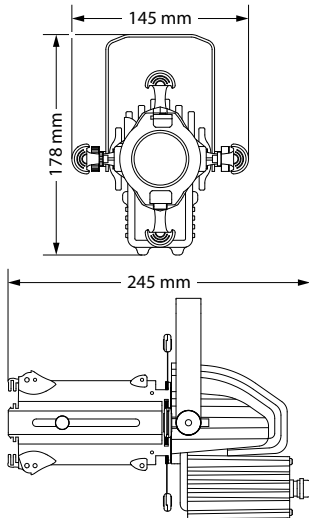
Please note that this device must not be connected to a dimmer.

5 Connections and controls



1	Mounting bracket
2	Gobo holder
3	Power cord
4	Locking screw for mounting bracket
5	Shutter slider
6	Adjustment knob for beam angle and focus
7	Light aperture

6 Technical specifications



		Item no. 435627	Item no. 435629	Item no. 435628
Light source		1 × LED module, 20 W		
Properties of the light source	Colour temperature	3200 K		5600 K
	Colour rendering index	97 CRI Ra		
Optical properties	Beam angle	15°...30°		
Power consumption		20 W		
Supply voltage		100 - 240 V ~ 50/60 Hz		
International Protection Rating		IP65		
Mounting options		Hanging, standing		
Dimensions (W × H × D)		145 mm × 178 mm × 245 mm		
Weight		1.6 kg		
Housing colour		Black	White	Black
Ambient conditions	Temperature range	0 °C...40 °C		
	Relative humidity	20%...80% (non-condensing)		

Further information

	Item no. 435627	Item no. 435629	Item no. 435628
Light source	LED	LED	LED
Colour mix / colour temperature	WW	WW	CW
Fanless	Yes	Yes	Yes
Zoom	Yes	Yes	Yes
Gobo size	27 mm	27 mm	27 mm
Image size of gobo	22 mm	22 mm	22 mm
Dimensions of colour filter frame (W × H)	66 mm × 66 mm	66 mm × 66 mm	66 mm × 66 mm

7 Cleaning

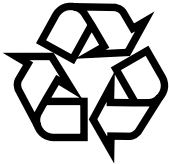
Optical lenses

Clean the optical lenses, that are accessible from the outside, regularly in order to optimize the light output. The frequency of cleaning depends on the operating environment: wet, smoky or particularly dirty surroundings can cause more accumulation of dirt on the optics of the device.

- Clean with a soft cloth using our lamp and lens cleaner (item no. 280122).
- Always dry the parts carefully.

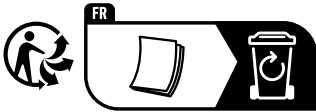
8 Protecting the environment

Disposal of the packing material



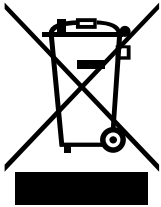
Environmentally friendly materials have been chosen for the packaging. These materials can be sent for normal recycling. Ensure that plastic bags, packaging, etc. are disposed of in the proper manner.

Do not dispose of these materials with your normal household waste, but make sure that they are collected for recycling. Please follow the instructions and markings on the packaging.



Observe the disposal note regarding documentation in France.

Disposal of your old device



This product is subject to the European Waste Electrical and Electronic Equipment Directive (WEEE) as amended.

Do not dispose of your old device with your normal household waste; instead, deliver it for controlled disposal by an approved waste disposal firm or through your local waste facility. If in doubt, consult your local waste management facility. You can also return the device to a retailer if they offer to take the device back for free or if they are legally obliged to do so. When disposing of the device, comply with the rules and regulations that apply in your country. You can also return your old device to Thomann GmbH at no charge. Check the current conditions on www.thomann.de.

Proper disposal protects the environment as well as the health of your fellow human beings. This is because the proper handling of old devices negates the potential negative effects of hazardous substances, and because it conserves resources by recycling them.

Also note that waste avoidance is a valuable contribution to environmental protection. Repairing a device or passing it on to another user is an ecologically valuable alternative to disposal. For example, use the classified ads of Thomann GmbH.

If your old device contains personal data, delete those data before disposing of it.

