

E Series Yoke



Quick Start Guide

E Series Loudspeakers can be installed using an optional yoke mount, which attaches to the loudspeaker at the M8 mounting points. A 6 mm hex key is required.

Use the appropriate QSC Yoke Mount Kit for your loudspeakers.

- E110 YM (for E110)
- E12 YM (for E12 or E112)
- E15 YM (for E15 or E115)

All kits include one 40 mm M8 screw for the top of the loudspeaker and one 30 mm M8 screw for the bottom.

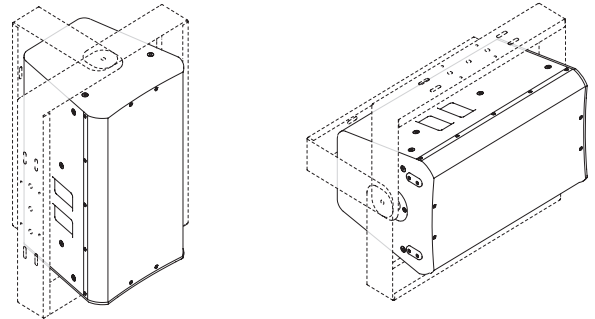


Figure 1



WARNING! Consult a structural engineer before mounting the yoke mount to any surface or structure. Make sure the surface or structure can support the weight of the loudspeaker and that appropriate fasteners are used to attach the yoke.

Refer to Figure 1.

1. Select the yoke location and orientation, then properly secure the yoke mounting bracket to the mounting surface. (Attaching hardware is not included.) The dashed lines show the available yoke positions on the loudspeaker enclosures.

To mount the yoke using cheeseborrough clamps, half couplers, or other types of pipe clamp:

- The E110 YM or E12 YM can mount using one or two clamps.
- The E15 YM must use two clamps.
- The clamp must have a 1/2-inch or 10 to 12 mm mounting bolt or stud that is separate from its clamping mechanism; never attach the yoke to a bolt that is part of the clamping mechanism. The mounting bolt must use a suitable washer and a locking nut. Before reusing a locking nut, inspect it; replace the nut if its locking insert is worn or damaged.

Refer to Figure 2.

2. Figure 2 shows the top and bottom attachment point for each model. Remove the M8 hex plug in these attachment points.

Refer to Figure 3.

3. Using safe and proper lifting techniques, place the loudspeaker in the yoke, with the two circular pads (5) inserted between the top and bottom of the loudspeaker enclosure and the yoke.

4. Install the M8 socket head cap screw (1) through the split washer (2), flat washer (3), yoke (4), pad (5), and into the yoke-mount point (6). Repeat for the other end of the loudspeaker enclosure. Do not fully tighten the screws at this point.

NOTE: The yoke kits use a 40 mm M8 screw at the top of the loudspeaker and a 30 mm M8 screw at the bottom. To avoid damage to the loudspeaker enclosure, use the correct screw in each location.

5. Adjust the angle of the loudspeaker as required.
6. Tighten the M8 cap screws. Do not overtighten.

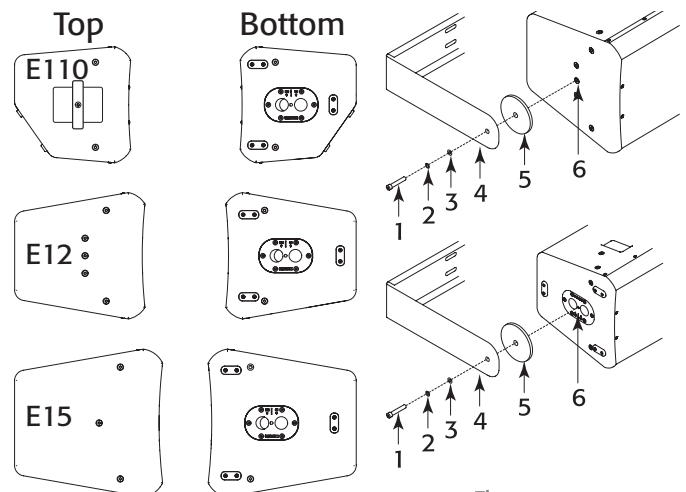


Figure 3

TD-000531-00-D



Figure 2



Mailing Address:

QSC, LLC
1675 MacArthur Boulevard
Costa Mesa, CA 92626-1468 USA

Telephone Numbers:

Main Number: +1 (714) 754-6175
Sales & Marketing: +1 (714) 957-7100 or toll free (USA only) (800) 854-4079
Customer Service: +1 (714) 957-7150 or toll free (USA only) (800) 772-2834

Facsimile Numbers:

Sales & Marketing FAX: +1 (714) 754-6174
Customer Service FAX: +1 (714) 754-6173

World Wide Web:

www.qsc.com

E-mail:

info@qsc.com
service@qsc.com
tech_support@qsc.com

EN

© 2018 QSC, LLC. All rights reserved. QSC and the QSC logo are registered trademarks of QSC, LLC in the U.S. Patent and Trademark office and other countries. All other trademarks are the property of their respective owners.

<http://patents.qsc.com>.