



**the**  
**box** **pro**

TL 63

passive  
column speaker

Musikhaus Thomann  
Thomann GmbH  
Hans-Thomann-Straße 1  
96138 Burgebrach  
Germany  
Telephone: +49 (0) 9546 9223-0  
E-mail: [info@thomann.de](mailto:info@thomann.de)  
Internet: [www.thomann.de](http://www.thomann.de)

17.10.2019, ID: 452285

---

## Table of contents

<b>1</b>	<b>General information</b> .....	<b>4</b>
	1.1 Further information.....	5
	1.2 Notational conventions.....	6
	1.3 Symbols and signal words.....	6
<b>2</b>	<b>Safety instructions</b> .....	<b>8</b>
<b>3</b>	<b>Features</b> .....	<b>11</b>
<b>4</b>	<b>Installation</b> .....	<b>12</b>
	4.1 Mounting variants.....	14
	4.2 Tips on handling speakers.....	19
<b>5</b>	<b>Connections</b> .....	<b>20</b>
<b>6</b>	<b>Technical specifications</b> .....	<b>22</b>
<b>7</b>	<b>Protecting the environment</b> .....	<b>24</b>

# 1 General information

This user manual contains important information on the safe operation of the device. Read and follow all safety notes and all instructions. Save this manual for future reference. Make sure that it is available to all persons using this device. If you sell the device to another user, be sure that they also receive this manual.

Our products and user manuals are subject to a process of continuous development. We therefore reserve the right to make changes without notice. Please refer to the latest version of the user manual which is ready for download under [www.thomann.de](http://www.thomann.de).

## 1.1 Further information

On our website ([www.thomann.de](http://www.thomann.de)) you will find lots of further information and details on the following points:

Download	This manual is also available as PDF file for you to download.
Keyword search	Use the search function in the electronic version to find the topics of interest for you quickly.
Online guides	Our online guides provide detailed information on technical basics and terms.
Personal consultation	For personal consultation please contact our technical hotline.
Service	If you have any problems with the device the customer service will gladly assist you.

## 1.2 Notational conventions

This manual uses the following notational conventions:


### Letterings

The letterings for connectors and controls are marked by square brackets and italics.

**Examples:** *[VOLUME]* control, *[Mono]* button.

## 1.3 Symbols and signal words

In this section you will find an overview of the meaning of symbols and signal words that are used in this manual.

Signal word	Meaning
<b>DANGER!</b>	This combination of symbol and signal word indicates an immediate dangerous situation that will result in death or serious injury if it is not avoided.
<b>CAUTION!</b>	This combination of symbol and signal word indicates a possible dangerous situation that can result in minor injury if it is not avoided.
<b>NOTICE!</b>	This combination of symbol and signal word indicates a possible dangerous situation that can result in material and environmental damage if it is not avoided.
Warning signs	Type of danger
	Warning – danger zone.

## 2 Safety instructions

### Intended use

This device is designed for sound reinforcement. Use the device only as described in this user manual. Any other use or use under other operating conditions is considered to be improper and may result in personal injury or property damage. No liability will be assumed for damages resulting from improper use.

This device may be used only by persons with sufficient physical, sensorial, and intellectual abilities and having corresponding knowledge and experience. Other persons may use this device only if they are supervised or instructed by a person who is responsible for their safety.

### Safety



#### **DANGER!**

#### **Danger for children**

Ensure that plastic bags, packaging, etc. are disposed of properly and are not within reach of babies and young children. Choking hazard!

Ensure that children do not detach any small parts (e.g. knobs or the like) from the unit. They could swallow the pieces and choke!

Never let children unattended use electrical devices.





**CAUTION!**

**Possible hearing damage**

The device can produce volume levels that may cause temporary or permanent hearing impairment. Over an extended period of time, even levels that seem to be uncritical can cause hearing damage.

Decrease the volume level immediately if you experience ringing in your ears or hearing impairment. If this is not possible, keep a greater distance or use sufficient ear protectors.



### **NOTICE!**

#### **Operating conditions**

This device has been designed for indoor use only. To prevent damage, never expose the device to any liquid or moisture. Avoid direct sunlight, heavy dirt, and strong vibrations.

Only operate the device within the ambient conditions specified in the chapter 'Technical specifications' of this user manual. Avoid heavy temperature fluctuations and do not switch the device on immediately after it was exposed to temperature fluctuations (for example after transport at low outside temperatures).

Dust and dirt inside can damage the unit. When operated in harmful ambient conditions (dust, smoke, nicotine, fog, etc.), the unit should be maintained by qualified service personnel at regular intervals to prevent overheating and other malfunction.

### 3 Features

Special characteristics:

- Passive column speaker with 6 × 2.75" midrange driver / tweeter
- Speaker flange 25 mm
- Connection of top units and bass possible via TL click system

## 4 Installation

Unpack and check carefully there is no transportation damage before using the unit. Keep the equipment packaging. To fully protect the product against vibration, dust and moisture during transportation or storage use the original packaging or your own packaging material suitable for transport or storage, respectively.

Create all connections while the device is off. Use the shortest possible high-quality cables for all connections. Take care when running the cables to prevent tripping hazards.



### **NOTICE!**

#### **Possible property damage by magnetic fields**

Loudspeakers produce a static magnetic field. Therefore, maintain an appropriate distance to devices that can be adversely affected or damaged by an external magnetic field.



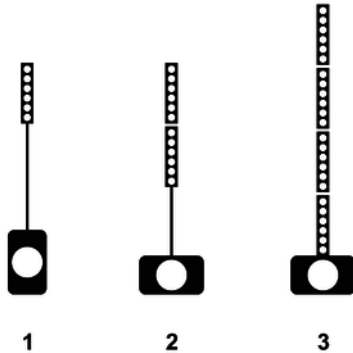
**NOTICE!**

**Use of stands**

When mounting the device onto a stand, ensure that the stand is in a safe and stable position and that the weight of the device does not exceed the maximum permissible load capacity of the stand.

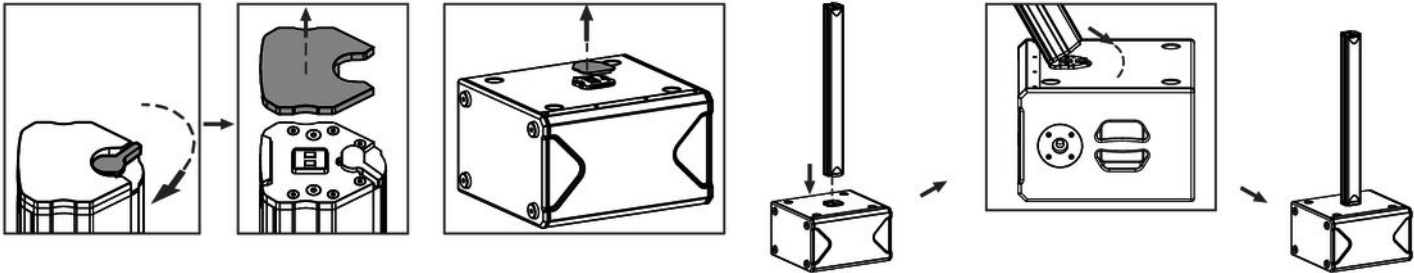
## 4.1 Mounting variants

The box pro TL system consists of the subwoofer the box pro TL 110 (item number 452287), the column speaker the box pro TL 63 (item number 452285), and the speaker pole the box pro TL Pole (item number 452289). The individual elements can be connected to each other with the TL click system. The following mounting variants are possible:



1	1 × the box pro TL 110, 1 × the box pro TL 63, 1 × the box pro TL Pole
2	1 × the box pro TL 110, 2 × the box pro TL 63, 1 × the box pro TL Pole
3	1 × the box pro TL 110, 4 × the box pro TL 63

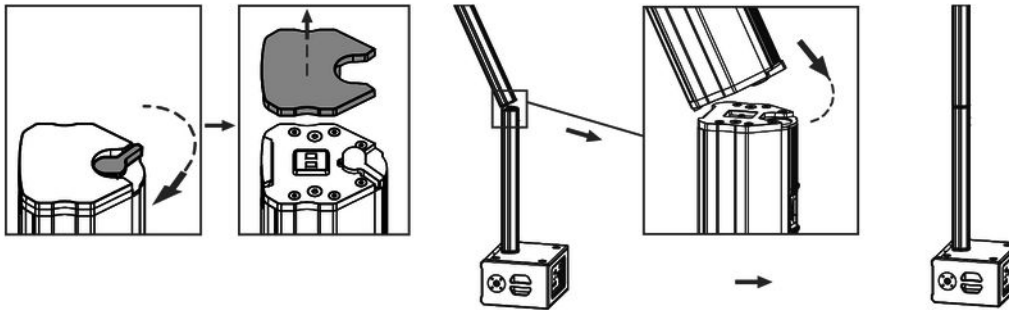
### Connecting the subwoofer directly to the column speaker



1. ➤ Activate the positioner by pressing the release button on the head of the column speaker.
2. ➤ Release the protective cap on top of the column speaker by turning the lever.
3. ➤ Remove the protective cap on top of the column speaker.
4. ➤ Remove the protective cap from the side of the subwoofer.

5. ➤ Place the column speaker on the subwoofer. Make sure that the connector sockets are positioned exactly on top of each other.  
⇒ The positioner will lock in place. The column speaker is connected to the subwoofer.

## Connecting column loudspeakers to each other

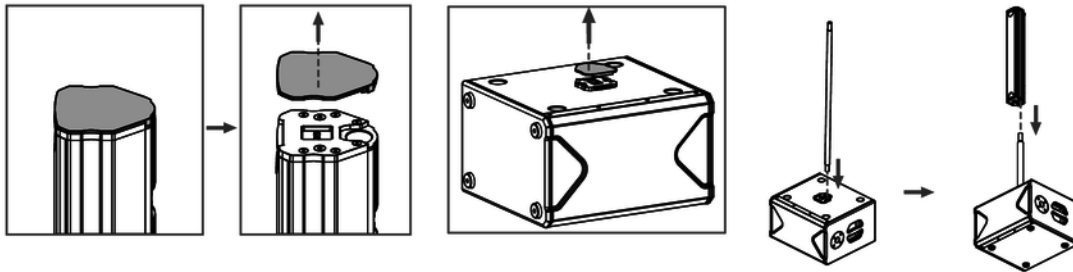


1. ➤ Activate the positioner by pressing the release button on the head of the column speaker.
2. ➤ Release the protective cap on top of the column speaker by turning the lever.



3. ➤ Remove the protective cap on top of the column speaker.
4. ➤ Repeat steps 1 to 3 for the second column speaker.
5. ➤ Place the first column speaker on the second column speaker. Make sure that the connector sockets are positioned exactly on top of each other.  
⇒ The positioner will lock in place. The column speakers are connected to each other.

### Connecting the subwoofer to the column speaker via speaker pole



- 1.** ▶ Activate the positioner by pressing the release button on the head of the column speaker.
- 2.** ▶ Release the protective cap on top of the column speaker by turning the lever.
- 3.** ▶ Remove the protective cap on top of the column speaker.
- 4.** ▶ Remove the protective cap from the side of the subwoofer.
- 5.** ▶ Insert the speaker pole into the flange of the subwoofer.
- 6.** ▶ Place the column speaker with the 25 mm speaker flange on the speaker pole.
- 7.** ▶ Connect the subwoofer and column speaker with a speaker twist cable.
  - ⇒ Subwoofer and column speaker are now connected to each other.

## 4.2 Tips on handling speakers

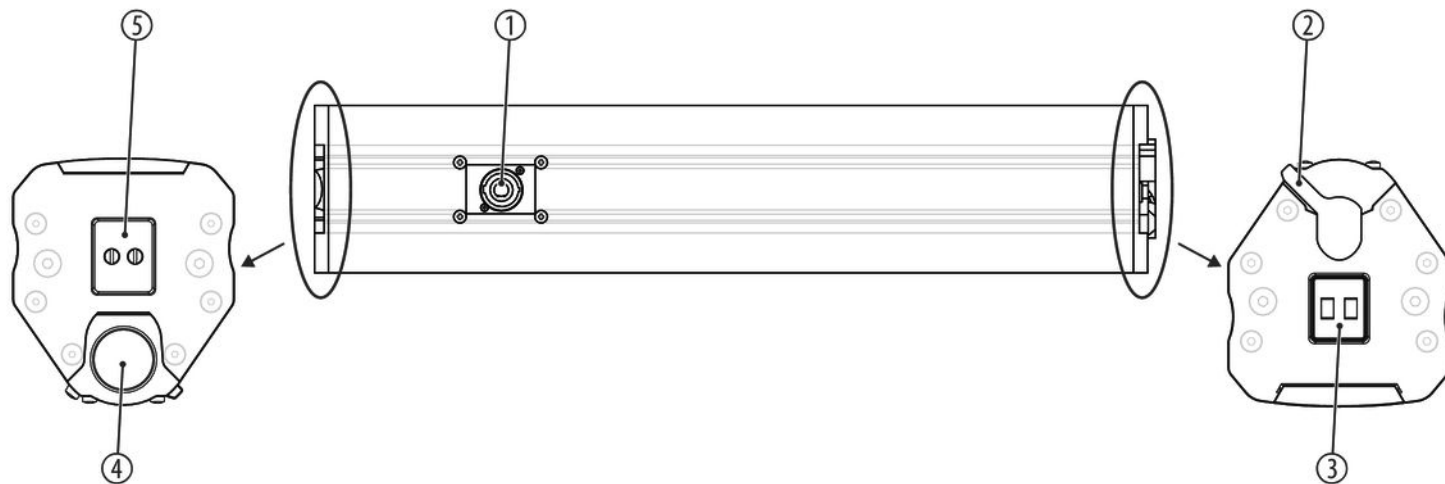
We recommend you to set up the speakers in a way, that the sound signals can reach the audience unobstructedly. It will often be helpful to mount the speakers on tripods. Thus, the sound will be evenly spread with maximum range throughout the audience area.

Always use high grade cable to connect your equipment. Otherwise you won't reach maximum sound quality.

For optimum results both impedance and power handling of the speakers must match the requirements of the amplifier. Always follow the technical specifications of the speakers! The overall impedance of the connected loudspeakers must not exceed the minimum output impedance of the amp. The amp's max. RMS output power should be 50 % above the power handling capacity of the connected speakers.

If you notice distortion during operation, either the amp or the speaker is overloaded. This may permanently damage the amp or the speaker. Always reduce the volume when you hear distortion.

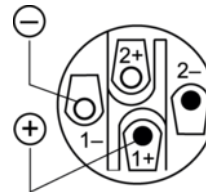
## 5 Connections



1	Lockable speaker twist socket
2	Lever for releasing the protective cap
3	Connector socket (male) for plugging into a subwoofer or another column speaker
4	25 mm speaker flange for mounting on a speaker pole
5	Connector socket (female) for inserting another column speaker

### Speaker Twist chassis connector for speakers

The adjoining figure shows the pin assignment of the lockable speaker twist connectors.



## 6 Technical specifications

Speaker	6 × 2.75" midrange driver / tweeter	
Input connections	Signal input	1 × speaker twist input socket
Frequency range	200 Hz ... 20 kHz, -10 dB	
Power handling	100 W (RMS Peak)	
Nominal impedance	16 Ω	
Dispersion angle (nominal)	90°	
Crossover frequency	200 Hz, 24 dB	
Sound pressure level (SPL), max.	114 dB	
Mounting options	Speaker flange 25 mm	
Dimensions (W × H × D)	95 mm × 106 mm × 480 mm	
Weight	2.65 kg	

Ambient conditions	Temperature range	0 °C...40 °C
	Relative humidity	50 %, non-condensing

### Further information

Built-in subwoofer	No
Built-in mixer	No
Housing colour	Black
Housing material	Aluminium

## 7 Protecting the environment

### Disposal of the packaging material



For the transport and protective packaging, environmentally friendly materials have been chosen that can be supplied to normal recycling.

Ensure that plastic bags, packaging, etc. are properly disposed of.

Do not just dispose of these materials with your normal household waste, but make sure that they are collected for recycling. Please follow the notes and markings on the packaging.

### Disposal of your old device



This product is subject to the European Waste Electrical and Electronic Equipment Directive (WEEE) in its currently valid version. Do not dispose with your normal household waste.

Dispose of this device through an approved waste disposal firm or through your local waste facility. When discarding the device, comply with the rules and regulations that apply in your country. If in doubt, consult your local waste disposal facility.



TL 63





