



LED BossFx-2 Pro Bundle

LED lighting set



Musikhaus Thomann
Thomann GmbH
Hans-Thomann-Straße 1
96138 Burgebrach
Germany
Telephone: +49 (0) 9546 9223-0
E-mail: info@thomann.de
Internet: www.thomann.de

22.05.2020, ID: 466569 (V2)

Table of contents

1	General information	4
1.1	Further information.....	4
1.2	Notational conventions.....	4
1.3	Symbols and signal words.....	5
2	Safety instructions	6
3	Features	9
4	Installation	10
5	Starting up	12
6	Connections and controls	13
7	Operating	16
7.1	Starting and stopping operation.....	16
7.2	Main menu.....	16
7.3	Menu overview.....	18
7.4	Functions in 4-channel DMX mode.....	18
7.5	Functions in 5-channel DMX mode.....	20
7.6	Functions in 7-channel DMX mode.....	20
7.7	Functions in 25-channel DMX mode.....	21
8	Technical specifications	24
9	Plug and connection assignment	25
10	Troubleshooting	26
11	Cleaning	27
12	Protecting the environment	28

1 General information

This user manual contains important information on the safe operation of the device. Read and follow all safety notes and all instructions. Save this manual for future reference. Make sure that it is available to all persons using this device. If you sell the device to another user, be sure that they also receive this manual.

Our products and user manuals are subject to a process of continuous development. We therefore reserve the right to make changes without notice. Please refer to the latest version of the user manual which is ready for download under www.thomann.de.

1.1 Further information

On our website (www.thomann.de) you will find lots of further information and details on the following points:

Download	This manual is also available as PDF file for you to download.
Keyword search	Use the search function in the electronic version to find the topics of interest for you quickly.
Online guides	Our online guides provide detailed information on technical basics and terms.
Personal consultation	For personal consultation please contact our technical hotline.
Service	If you have any problems with the device the customer service will gladly assist you.

1.2 Notational conventions

This manual uses the following notational conventions:

Letterings

The letterings for connectors and controls are marked by square brackets and italics.

Examples: *[VOLUME]* control, *[Mono]* button.

Displays

Texts and values displayed on the device are marked by quotation marks and italics.

Examples: '24ch', 'OFF'.

Instructions

The individual steps of an instruction are numbered consecutively. The result of a step is indented and highlighted by an arrow.






Example:

1. ➤ Switch on the device.
2. ➤ Press *[Auto]*.
 ⇒ Automatic operation is started.
3. ➤ Switch off the device.

1.3 Symbols and signal words

In this section you will find an overview of the meaning of symbols and signal words that are used in this manual.

Signal word	Meaning
DANGER!	This combination of symbol and signal word indicates an immediate dangerous situation that will result in death or serious injury if it is not avoided.
WARNING!	This combination of symbol and signal word indicates a possible dangerous situation that can result in death or serious injury if it is not avoided.
NOTICE!	This combination of symbol and signal word indicates a possible dangerous situation that can result in material and environmental damage if it is not avoided.

Warning signs	Type of danger
	Warning – high-voltage.
	Warning – hot surface.
	Warning – dangerous optical radiation.
	Warning – suspended load.
	Warning – danger zone.

2 Safety instructions

Intended use

This device is intended for use as an electronic lighting effect by means of LED technology. The device is designed for professional use only and is not suitable for use in households. Use the device only as described in this user manual. Any other use or use under other operating conditions is considered to be improper and may result in personal injury or property damage. No liability will be assumed for damages resulting from improper use.

This device may be used only by persons with sufficient physical, sensorial, and intellectual abilities and having corresponding knowledge and experience. Other persons may use this device only if they are supervised or instructed by a person who is responsible for their safety.

Safety



DANGER!

Danger for children

Ensure that plastic bags, packaging, etc. are disposed of properly and are not within reach of babies and young children. Choking hazard!

Ensure that children do not detach any small parts (e.g. knobs or the like) from the unit. They could swallow the pieces and choke!

Never let children unattended use electrical devices.



DANGER!

Electric shock caused by high voltages inside

Within the device there are areas where high voltages may be present. Never remove any covers.

There are no user-serviceable parts inside.

Do not use the device if covers, protectors or optical components are missing or damaged.



DANGER!

Electric shock caused by short-circuit

Always use proper ready-made insulated mains cabling (power cord) with a protective contact plug. Do not modify the mains cable or the plug. Failure to do so could result in electric shock/death or fire. If in doubt, seek advice from a registered electrician.



WARNING!

Eye damage caused by high light intensity

Never look directly into the light source.



WARNING!

Risk of epileptic shock

Strobe lighting can trigger seizures in photosensitive epilepsy. Sensitive persons should avoid looking at strobe lights.



WARNING!

Risk of burns

The surface of the device can become very hot during operation.

Do not touch the device with bare hands during operation, and after switching off wait for at least 15 minutes.



NOTICE!

Risk of fire

Do not block areas of ventilation. Do not install the device near any direct heat source. Keep the device away from naked flames.



NOTICE!

Operating conditions

This device has been designed for indoor use only. To prevent damage, never expose the device to any liquid or moisture. Avoid direct sunlight, heavy dirt, and strong vibrations.

Only operate the device within the ambient conditions specified in the chapter 'Technical specifications' of this user manual. Avoid heavy temperature fluctuations and do not switch the device on immediately after it was exposed to temperature fluctuations (for example after transport at low outside temperatures).

Dust and dirt inside can damage the unit. When operated in harmful ambient conditions (dust, smoke, nicotine, fog, etc.), the unit should be maintained by qualified service personnel at regular intervals to prevent overheating and other malfunction.



NOTICE!

Power supply

Before connecting the device, ensure that the input voltage (AC outlet) matches the voltage rating of the device and that the AC outlet is protected by a residual current circuit breaker. Failure to do so could result in damage to the device and possibly injure the user.

Unplug the device before electrical storms occur and when it is unused for long periods of time to reduce the risk of electric shock or fire.

**NOTICE!****Possible damage due to installation of a wrong fuse**

The use of different types of fuses can cause serious damage to the unit.
Fire hazard!

Only fuses of the same type may be used.

**NOTICE!****Damages due to disconnection during operation**

Only operate the unit when all spotlights are connected.

The disconnection of LED spotlights during operation may damage the unit. Disconnect the unit from the power supply before disconnecting LED spotlights.

3 Features

Special features of the device:

- 2 LED spots each with 6 tricolour LEDs, 9 W each
- Derby effect each with 6 tricolour LEDs, 3 W each
- Stroboscope with 4 LEDs, 2 W each (white and ultra-violet)
- Control via DMX (4 different modes), buttons and display on the unit, the supplied wireless foot switch and the supplied infrared remote control
- Preprogrammed automatic shows
- Sound control
- Master / Slave mode
- The scope of delivery also includes a T-bar tripod, various mounting brackets and a carrying bag

4 Installation

Unpack and check carefully there is no transportation damage before using the unit. Keep the equipment packaging. To fully protect the product against vibration, dust and moisture during transportation or storage use the original packaging or your own packaging material suitable for transport or storage, respectively.



WARNING!

Risk of injury caused by falling objects

Make sure that the installation complies with the standards and rules that apply in your country. Always secure the device with a secondary safety attachment, such as a safety cable or a safety chain.



NOTICE!

Damages due to disconnection during operation

Only operate the unit when all spotlights are connected.

The disconnection of LED spotlights during operation may damage the unit. Disconnect the unit from the power supply before disconnecting LED spotlights.



NOTICE!

Risk of overheating

The distance between light output and the illuminated surface must be more than 1.5 m (19.7in).

Provide sufficient ventilation.

The ambient temperature must always be below 40 °C (104 °F).



NOTICE!

Use of stands

When mounting the device onto a stand, ensure that the stand is in a safe and stable position and that the weight of the device does not exceed the maximum permissible load capacity of the stand.



NOTICE!

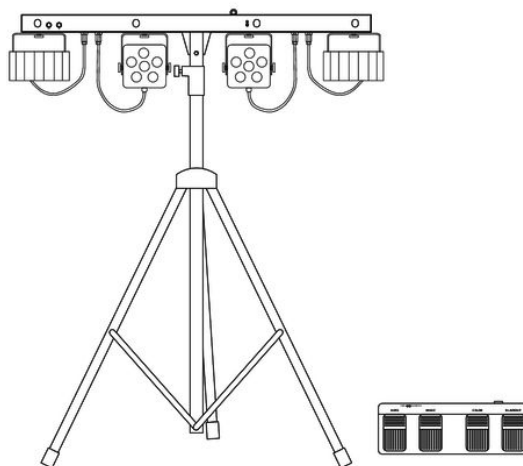
Possible data transmission errors

For error-free operation make use of dedicated DMX cables and do not use ordinary microphone cables.

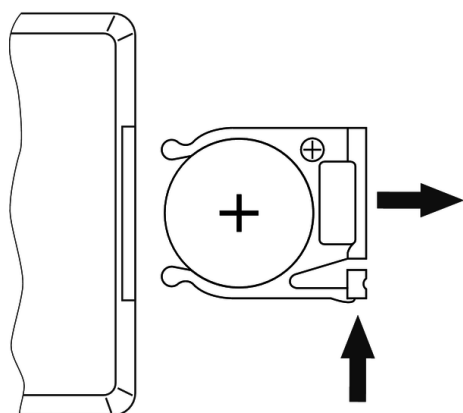
Never connect the DMX input or output to audio devices such as mixers or amplifiers.

Pre-mounted spots

The two spots and the two derby effects are pre-assembled at the T-bar. The strobe LEDs are integrated in the T-bar. Only the tripod is still to be attached and the foot switch unit has to be connected.

**Inserting the battery into the remote control**

Press the lock of the battery holder to the centre of the housing and pull out the battery holder like a drawer. Insert the battery. The battery is correct if the positive pole points to the housing base of the remote control. Slide the battery holder back into the remote until it clicks into place.



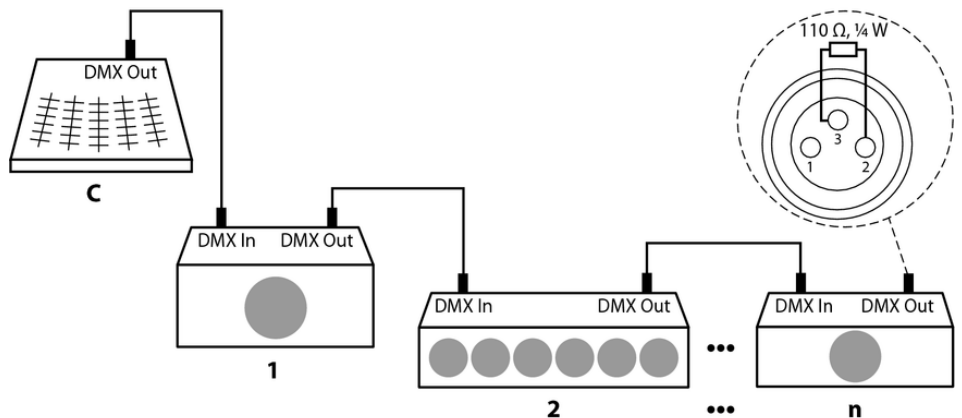
When shipping, the battery is already installed in the remote and protected against discharge by a transparent plastic foil. Remove the plastic foil prior to first use.

5 Starting up

Create all connections while the device is off. Use the shortest possible high-quality cables for all connections. Take care when running the cables to prevent tripping hazards.

Connections in DMX mode

Connect the DMX input of the device to the DMX output of a DMX controller or another DMX device. Connect the output of the first DMX device to the input of the second one, and so on to form a daisy chain. Always ensure that the output of the last DMX device in the daisy chain is terminated with a resistor (110 Ω, ¼ W).

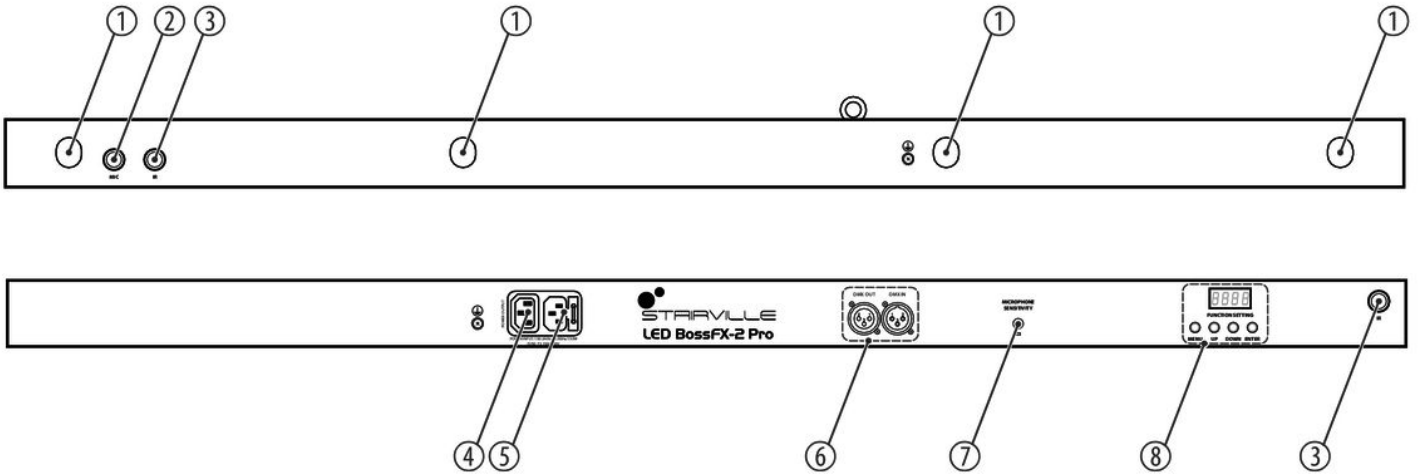


Connections in master/slave mode

When you configure a group of devices in master/slave mode, the first unit will control the other units for an automatic, sound-activated, synchronized show. This function is ideal when you want to start a show immediately. Connect the DMX output of the master device to the DMX input of the first slave device. Then connect the DMX output of the first slave device to the DMX input of the second slave device and so on.

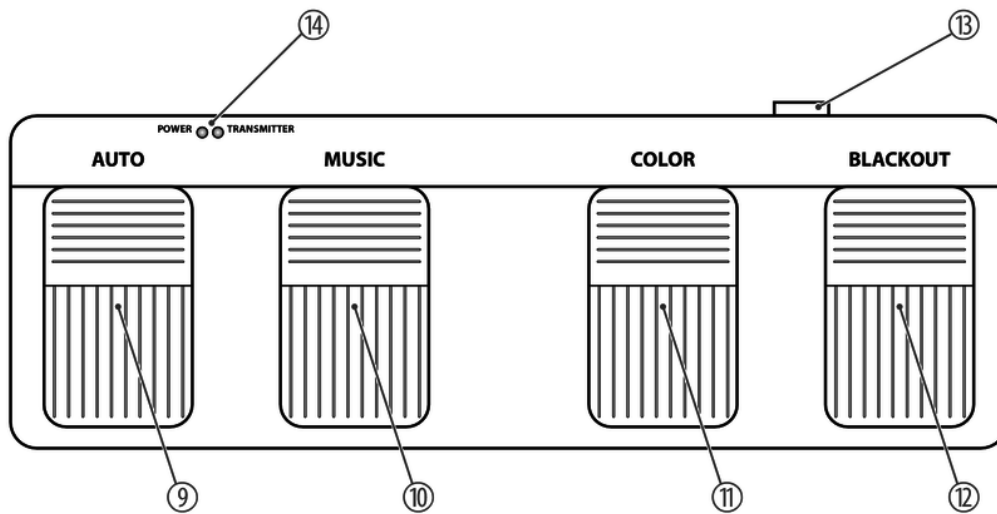
6 Connections and controls

Front panel



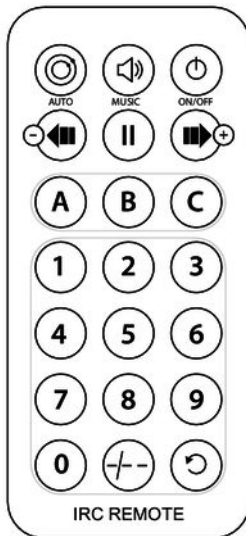
1	Strobe LEDs
2	Microphone for sound control
3	[IR] Infrared sensor for the remote control signals.
4	[POWER OUTPUT] IEC chassis socket for the power supply of further devices
5	IEC chassis plug for power supply with fuse holder
6	[DMX IN] / [DMX OUT] DMX in and output
7	[MICROPHONE SENSITIVITY] Controller for the sensitivity of the built-in microphone
8	Display [MENU] Activates the main menu and toggles between menu items. Closes an opened submenu. [ENTER] Selects an option of the respective operating mode, confirms the set value. [UP] Increases the displayed value by one. [DOWN] Decreases the displayed value by one.

Wireless foot switch



9	[<i>AUTO</i>] Activates the 'Automatic' mode (playback of preprogrammed automatic shows).
10	[<i>MUSIC</i>] Activates the 'Sound-control' mode (playback of sound-controlled automatic shows).
11	[<i>COLOUR</i>] Starts the automatic colour change or stops it again.
12	[<i>BLACKOUT</i>] Blackouts all LEDs or turns them back on again.
13	Main switch. Turns the device on and off.
14	[<i>POWER</i>] Status LED lights up when the wireless footswitch is turned on. [<i>TRANSMITTER</i>] Status LED lights up when the wireless footswitch is connected to the LED bar.

Infrared remote control



Button labelling:	Function
[AUTO]	Enable / disable the automatic mode, selecting programme AM01 ... AM03.
[MUSIC]	Enable / disable the sound-controlled mode, selecting mode SM01 ... SM03.
[ON/OFF]	Blackout
⊕, ⊖	Colour selection
[II]	Pause button
[A]	Selection of an automatic show for the LED spots and derby effects (AP01 ... AP18)
[B]	No function
[C]	Selection of an automatic show for the strobe LEDs (AF01 ... AF12)
[0] ... [9]	Selection of the programme speed (0 = slow, 9 = fast)
[-/--]	No function
↻	Button to switch between auto and sound-controlled mode.

7 Operating

7.1 Starting and stopping operation

Starting

Complete the following steps to start operation:

1. ➤ Connect the device to the power grid.
2. ➤ After a few seconds, the fan and the motors start to work. The display shows the current operation mode. The device is now operational.
3. ➤ Turn the foot switch on.

Stopping

Complete the following steps to stop operation:

1. ➤ Turn the foot switch off.
2. ➤ Disconnect the device from the mains.

7.2 Main menu

Press *[MENU]* to activate the main menu and to return to the main menu from a sub-menu. Use *[ENTER]* to select further options. Use *[UP]* and *[DOWN]* to change the respectively indicated value. When the display shows the desired value press *[Mode]*.

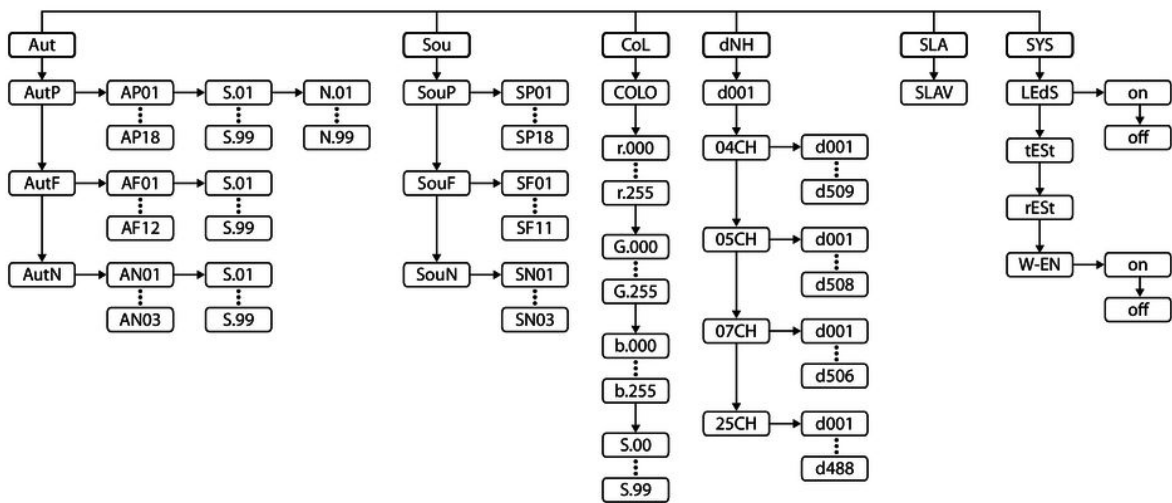
The set values are retained even when the device is disconnected from the mains power supply.

The following table shows the setting options.

Main menu	Menu level 2	Menu level 3	Meaning
'Aut'	Operating mode 'Preprogrammed automatic show'		
	'AutP'	Selecting an automatic show for the LED spots and derby effects ('AP01' ... 'AP18')	
		'S.01' ... 'S.99'	Speed of the selected automatic show
	'AutF'	Selecting an automatic show for the strobe LEDs ('AF01' ... 'AF12')	
		'S.01' ... 'S.99'	Speed of the selected automatic show
	'AutN'	Selecting an automatic show for all components ('AN01' ... 'AN03')	
'S.01' ... 'S.99'		Speed of the selected automatic show	
'Sou'	Sound control		

Main menu	Menu level 2	Menu level 3	Meaning
	'SouP'	Selecting a sound-controlled automatic show for the LED spots and derby effects ('SP01' ... 'SP18')	
	'SouF'	Selecting a sound-controlled automatic show for the strobe LEDs ('SF01' ... 'SF11')	
	'SouN'	Selecting a sound-controlled automatic show for all components ('SM01' ... 'SM03')	
'CoL'	Manual colour selection for the LED spots		
	'r.xxx'	Setting intensity red ('r.000' ... 'r.255')	
	'G.xxx'	Setting intensity green ('G.000' ... 'G.255')	
	'b.xxx'	Setting intensity blue ('b.000' ... 'b.255')	
	'S.xxx'	'S.00' ... 'S.99'	Setting the flash frequency
'dNH'	Operating mode DMX		
	'dXXX'	Setting the DMX address ('001' ... '512')	
	'xxCH'	Selecting a DMX mode: 4-channel, 5-channel, 7-channel or 25-channel	
		'dXXX'	Setting the DMX address 4-channel: ('001' ... '509') 5-channel: ('001' ... '508') 7-channel: ('001' ... '506') 25-channel: ('001' ... '488')
'SLA'	Operating mode 'Slave'		
	'SLAV'	Slave mode selection	
'SYS'	System settings		
	'LEdS'	Enabling automatic shutdown of the display when not in use ('on') or disabling ('off')	
	'teSt'	Starting self-test	
	'rEst'	Reset to factory defaults	
	'W-EN'	Enabling the interface for the wireless foot switch ('on') or disabling ('off')	

7.3 Menu overview



7.4 Functions in 4-channel DMX mode

Channel	Value	Function
1	Selecting an automatic show	
	0...5	Blackout
	6...91	AM01 / SM01
	92...172	AM02 / SM02
	173...255	AM03 / SM03
2	Automatic show for the LED spots and derby effects	
	0...5	Blackout
	6...18	AP01 / SP01
	19...31	AP02 / SP02
	32...44	AP03 / SP03
	45...57	AP04 / SP04
	58...70	AP05 / SP05
	71...83	AP06 / SP06
	84...96	AP07 / SP07
	97...109	AP08 / SP08
	110...122	AP09 / SP09

Channel	Value	Function
	123...135	AP10 / SP10
	136...148	AP11 / SP11
	149...161	AP12 / SP12
	162...174	AP13 / SP13
	175...187	AP14 / SP14
	188...190	AP15 / SP15
	191...203	AP16 / SP16
	204...216	AP17 / SP17
	217...255	AP18 / SP18
3	Strobe LEDs	
	0...5	Blackout
	6...24	AF01 / SF01
	25...43	AF02 / SF02
	44...62	AF03 / SF03
	63...81	AF04 / SF04
	82...100	AF05 / SF05
	101...119	AF06 / SF06
	120...138	AF07 / SF07
	139...157	AF08 / SF08
	158...176	AF09 / SF09
	177...195	AF10 / SF10
	196...214	AF11 / SF11
	215...233	White strobe light bright
	234...255	UV strobe light bright
4	Speed	
	0...250	Programme speed increasing
	21...255	Sound control

7.5 Functions in 5-channel DMX mode

Channel	Value	Function
LED spots and derby effects		
1	0...255	Intensity Red (0 % to 100 %)
2	0...255	Intensity Green (0 % to 100 %)
3	0...255	Intensity Blue (0 % to 100 %)
4	0...191	Dimmer (0 % to 100 %), colour selection with channel 1...3
	192...200	Sound-controlled strobe effect (white)
	201...249	Strobe effect with increasing speed, 30 Hz at max, colour selection with channel 1...3
	250...255	All LEDs on
5	Motor control (derby effects)	
	0...4	Stopped
	5...127	Clockwise rotation, speed increasing
	128...133	Stopped
	134...255	Counter-clockwise rotation, speed increasing

7.6 Functions in 7-channel DMX mode

Channel	Value	Function
LED spots and derby effects		
1	0...255	Intensity Red (0 % to 100 %)
2	0...255	Intensity Green (0 % to 100 %)
3	0...255	Intensity Blue (0 % to 100 %)
4	0...191	Overall brightness (0 % to 100 %)
	192...200	Sound-controlled strobe effect
	201...249	Strobe effect with increasing speed, 30 Hz at max
	250...255	All LEDs on
5	Motor control	
	0...4	Stopped
	5...127	Clockwise rotation, speed increasing
	128...133	Stopped
	134...255	Counter-clockwise rotation, speed increasing

Channel	Value	Function
Strobe LEDs		
6	White	
	0...4	Blackout
	5...9	LEDs on
	10...255	Strobe effect with increasing speed
7	UV	
	0...4	Blackout
	5...9	LEDs on
	10...255	Strobe effect with increasing speed

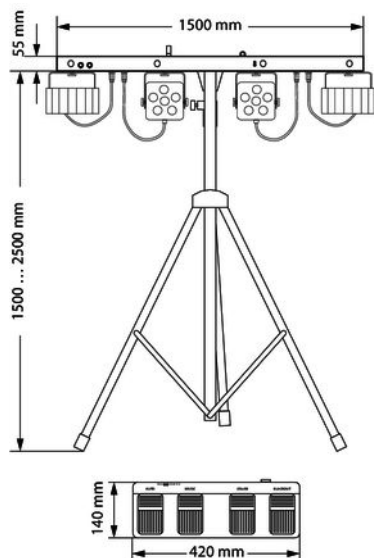
7.7 Functions in 25-channel DMX mode

Channel	Value	Function
Derby effect 1		
1	0...255	Intensity Red (0 % to 100 %)
2	0...255	Intensity Green (0 % to 100 %)
3	0...255	Intensity Blue (0 % to 100 %)
4	0...9	No function
	10...255	Strobe effect with increasing speed, 30 Hz at max
5	Motor control	
	0...4	Stopped
	5...127	Clockwise rotation, speed increasing
	128...133	Stopped
134...255	Counter-clockwise rotation, speed increasing	
LED spot 1		
6	0...255	Intensity Red (0 % to 100 %)
7	0...255	Intensity Green (0 % to 100 %)
8	0...255	Intensity Blue (0 % to 100 %)
9	0...9	No function
	10...255	Strobe effect with increasing speed, 30 Hz at max, colour selection with channel 6...8
10	0...255	No function
LED spot 2		

Channel	Value	Function
11	0...255	Intensity Red (0 % to 100 %)
12	0...255	Intensity Green (0 % to 100 %)
13	0...255	Intensity Blue (0 % to 100 %)
14	0...9	No function
	10...255	Strobe effect with increasing speed, 30 Hz at max, colour selection with channel 11...13
15	0...255	No function
Derby effect 2		
16	0...255	Intensity Red (0 % to 100 %)
17	0...255	Intensity Green (0 % to 100 %)
18	0...255	Intensity Blue (0 % to 100 %)
19	0...9	No function
	10...255	Strobe effect with increasing speed, 30 Hz at max
20	Motor control	
	0...4	Stopped
	5...127	Clockwise rotation, speed increasing
	128...133	Stopped
	134...255	Counter-clockwise rotation, speed increasing
Strobe LEDs		
21	LED 1, white	
	0...4	Blackout
	5...9	LED on
	10...255	Strobe effect with increasing speed
22	LED 2, white	
	0...4	Blackout
	5...9	LED on
	10...255	Strobe effect with increasing speed
23	LED 3, white	
	0...4	Blackout
	5...9	LED on
	10...255	Strobe effect with increasing speed
24	LED 4, white	
	0...4	Blackout

Channel	Value	Function
	5...9	LED on
	10...255	Strobe effect with increasing speed
25	UV	
	0...4	Blackout
	5...9	LEDs on
	10...255	Strobe effect with increasing speed

8 Technical specifications



Light source	LED spots: 12 × 9 W RGB LEDs Derby effects: 12 × 3 W RGB LEDs Stroboscope LEDs: 4 × 2 W LEDs (white and ultraviolet)	
Control	DMX, infrared remote control, footswitch, buttons and display on the device	
Number of DMX channels	4, 5, 7 or 25	
Input connections	Voltage supply	IEC panel plug
	DMX control	XLR chassis plug, 3-pin
Output connections	Voltage supply	IEC chassis socket
	DMX control	XLR chassis socket, 3-pin
Power consumption	130 W	
Operating supply voltage	100 – 240 V ~ 50/60 Hz	
Fuse	5 mm × 20 mm, 3.15 A, 250 V, slow-blow	
Battery / rechargeable battery (wireless footswitch)	6LR61, 9 V	
Protection class	IP20	
Mounting options	Tripod	
T-bar width	1500 mm	
Height (T-bar plus tripod)	max. 2500 mm	
Weight	8.8 kg	
Ambient conditions	Temperature range	0 °C...40 °C
	Relative humidity	50 %, non-condensing

9 Plug and connection assignment

Introduction

This chapter will help you select the right cables and plugs to connect your valuable equipment so that a perfect light experience is guaranteed.

Please take our tips, because especially in 'Sound & Light' caution is indicated: Even if a plug fits into a socket, the result of an incorrect connection may be a destroyed DMX controller, a short circuit or 'just' a not working light show!

DMX connections

The unit offers a 3-pin XLR socket for DMX output and a 3-pin XLR plug for DMX input. Please refer to the drawing and table below for the pin assignment of a suitable XLR plug.



Pin	Configuration
1	Ground, shielding
2	Signal inverted (DMX-, 'cold signal')
3	Signal (DMX+, 'hot signal')

10 Troubleshooting

In the following we list a few common problems that may occur during operation. We give you some suggestions for easy troubleshooting:

Symptom	Remedy
The unit does not work, no light, the fan does not run	1. Check the power connection and main fuse.
No response to the DMX controller	1. If the display shows a flashing number, for example '001', no DMX signal is being received. Check the DMX connectors and cables for proper connection.
	2. If the display does not flash and there is no response, check the address settings and DMX polarity.
	3. Try using another DMX controller.
	4. Check whether the DMX cables run near or parallel to high-voltage cables that may cause damage or interference to a DMX interface circuit.
No response to the remote control	1. Check the remote control battery.
	2. Try using the remote control at a different angle to the IR sensor on the front panel of the device.
No response to the wireless foot switch	1. Check the battery of the wireless foot switch.
	2. Check in the 'SYS' menu whether the interface for the wireless footswitch is active.
	3. Decrease the distance between the wireless footswitch and the LED bar.

11 Cleaning

Optical lenses

Clean the optical lenses, that are accessible from the outside, regularly in order to optimize the light output. The frequency of cleaning depends on the operating environment: wet, smoky or particularly dirty surroundings can cause more accumulation of dirt on the optics of the device.

- Clean with a soft cloth using our lamp and lens cleaner (item no. 280122).
- Always dry the parts carefully.

12 Protecting the environment

Disposal of the packaging material



For the transport and protective packaging, environmentally friendly materials have been chosen that can be supplied to normal recycling.

Ensure that plastic bags, packaging, etc. are properly disposed of.

Do not just dispose these materials with your normal household waste, but make sure that they are fed to a recovery. Please follow the notes and markings on the packaging.

Disposal of batteries



Batteries must not be disposed of as domestic waste or thrown into fire. Dispose of the batteries according to national or local regulations regarding hazardous waste. To protect the environment, dispose of empty batteries at your retail store or at appropriate collection sites.

Disposal of your old device



This product is subject to the European Waste Electrical and Electronic Equipment Directive (WEEE) in its currently valid version. Do not dispose with your normal household waste.

Dispose this device through an approved waste disposal firm or through your local waste facility. When discarding the device, comply with the rules and regulations that apply in your country. If in doubt, consult your local waste disposal facility.

