

Thanks for purchasing a 9.Solutions product.
With great passion, we design our products to
be as versatile as possible. We hope that our
products contribute to your creative vision.

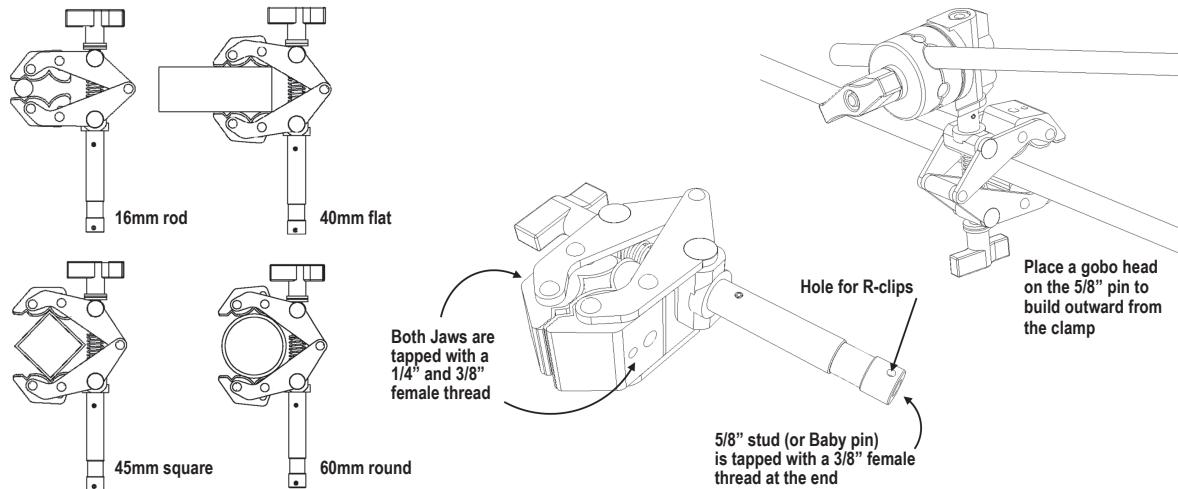


Sincerely,

The 9.Solutions Team

SPECIFICATIONS:

Weight: 455 g
Clamping Range: 0-60mm
SWL: 30Kg
Connection(s):
(2x) 3/8" female thread
(2x) 1/4" female thread
(1x) 5/8" stud with 3/8" female
threaded end



Always follow the safety standards and regulations of the given country where the product is being used.

Visit www.9.solutions for more info.